



US00D433642S

**United States Patent** [19]  
**Bauman**

[11] **Patent Number: Des. 433,642**

[45] **Date of Patent: \*\* Nov. 14, 2000**

[54] **WIRELESS ELECTRONIC COMPONENT**

[75] Inventor: **Stuart P. Bauman**, Skokie, Ill.

[73] Assignee: **Shure Incorporated**, Evanston, Ill.

[\*\*] Term: **14 Years**

[21] Appl. No.: **29/113,425**

[22] Filed: **Nov. 4, 1999**

[51] **LOC (7) Cl.** ..... **10-05**

[52] **U.S. Cl.** ..... **D10/104**

[58] **Field of Search** ..... D10/104, 106,  
D10/116, 121; D14/218; 340/571, 572,  
573, 502, 504, 506

[56] **References Cited**

**U.S. PATENT DOCUMENTS**

- D. 373,092 8/1996 Heum ..... D10/104
- D. 380,691 7/1997 Heum ..... D10/104

D. 388,005 12/1997 Henderson ..... D10/104

*Primary Examiner*—Marcus A. Jackson  
*Attorney, Agent, or Firm*—Banner & Witcoff, Ltd.

[57] **CLAIM**

An ornamental design for a wireless electronic component, as shown and described.

**DESCRIPTION**

FIG. 1 is a lower isometric view of the new wireless electronic component design;  
 FIG. 2 is an upper isometric view of the new wireless electronic component design;  
 FIG. 3 is a side view thereof; the other side having the same appearance;  
 FIG. 4 is an upper end view thereof;  
 FIG. 5 is a lower end view thereof;  
 FIG. 6 is a front view thereof; and,  
 FIG. 7 is a back view thereof.

**1 Claim, 3 Drawing Sheets**

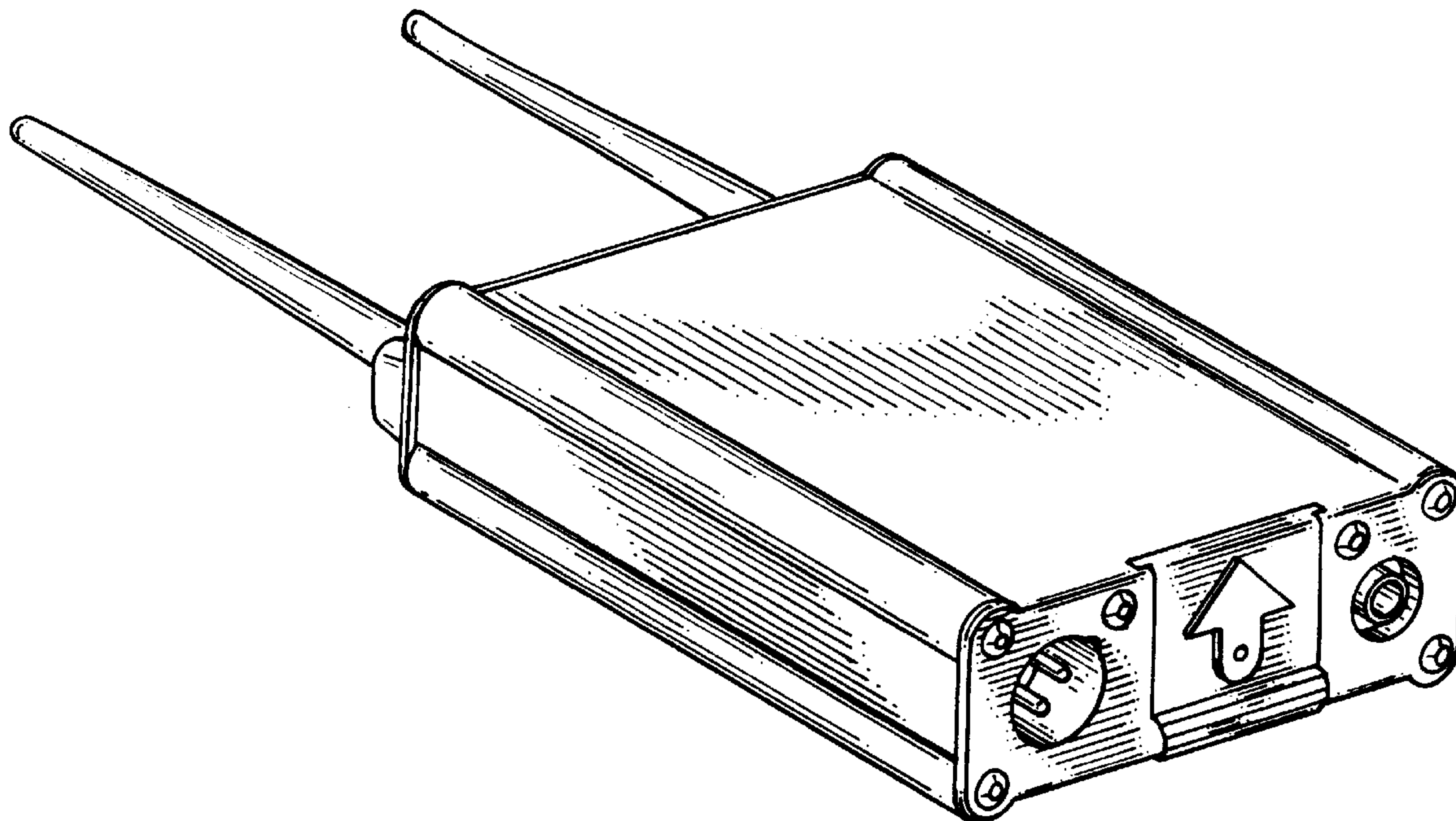


FIG. 1

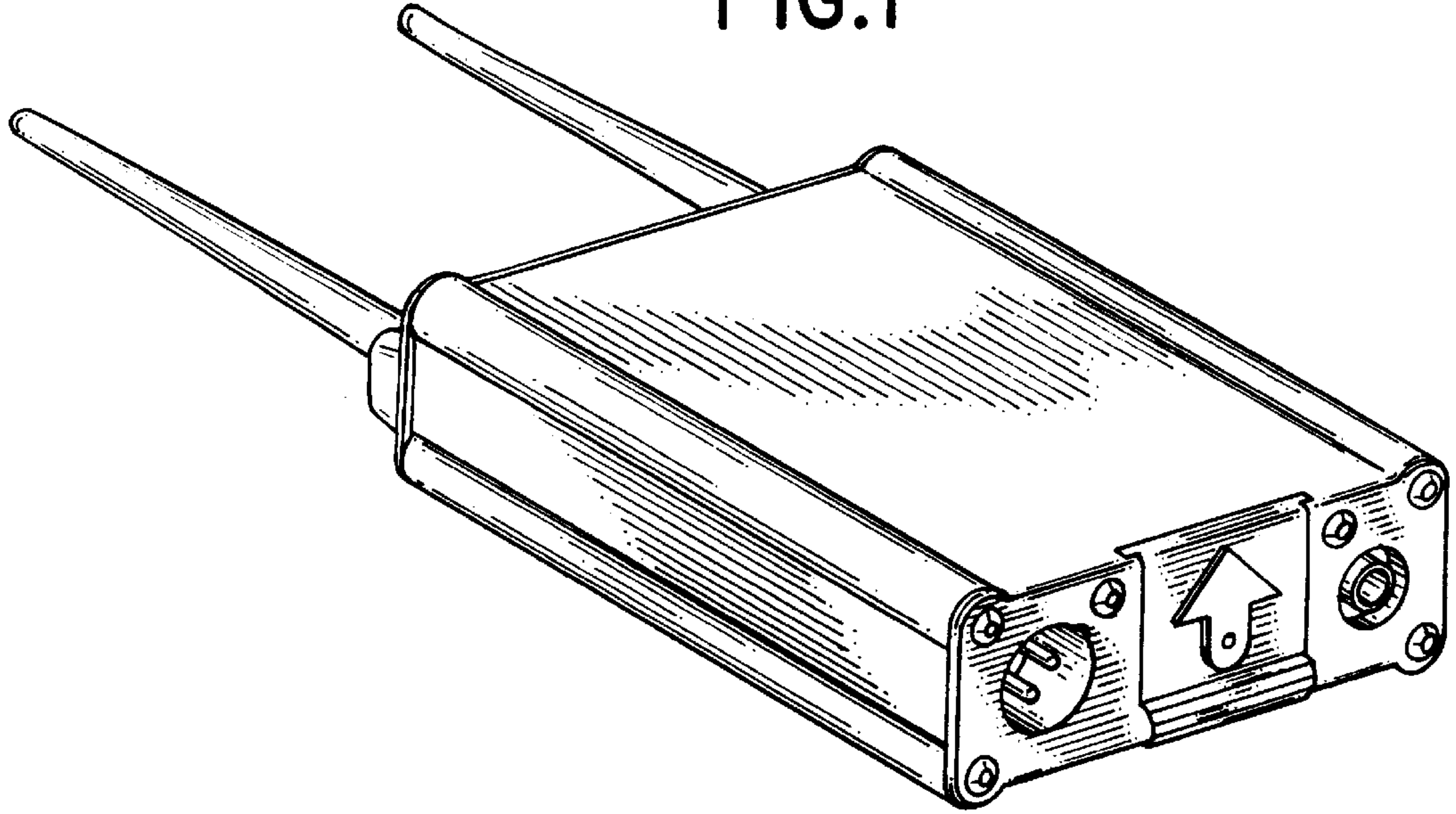


FIG. 2

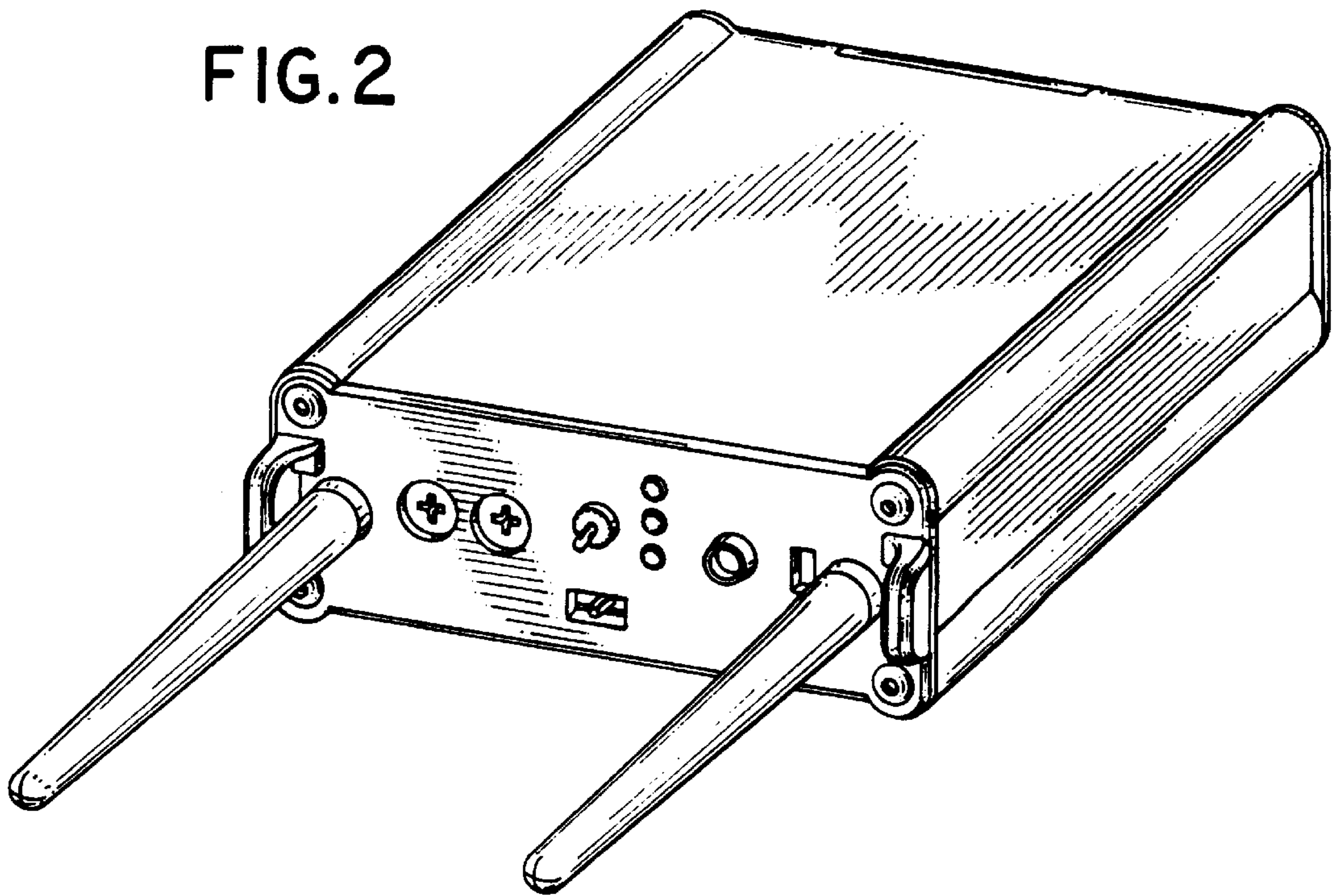


FIG.3

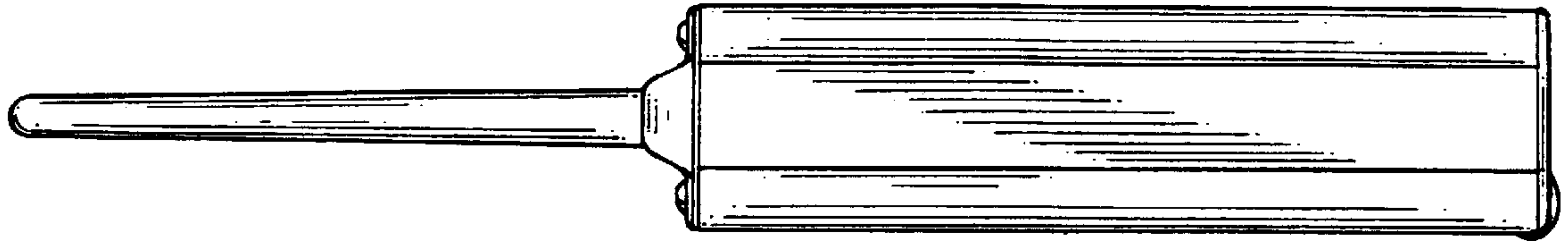


FIG.4

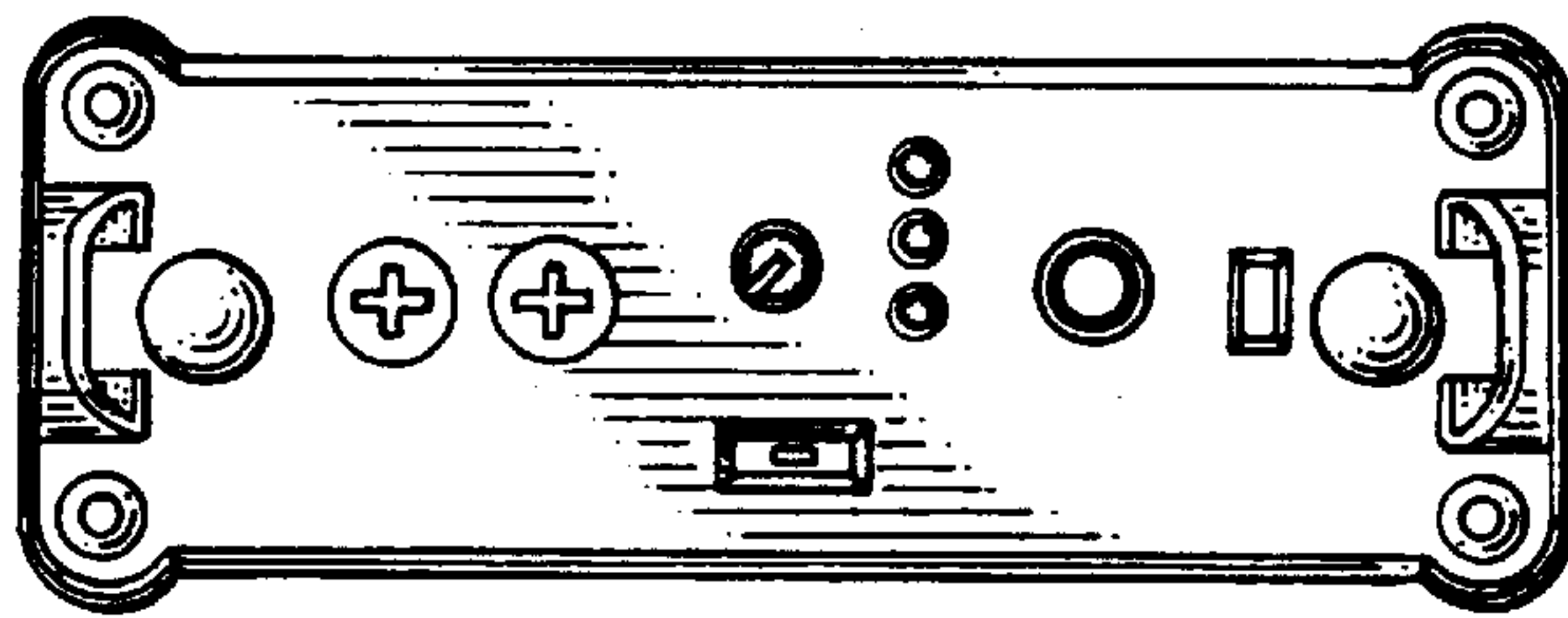


FIG.5

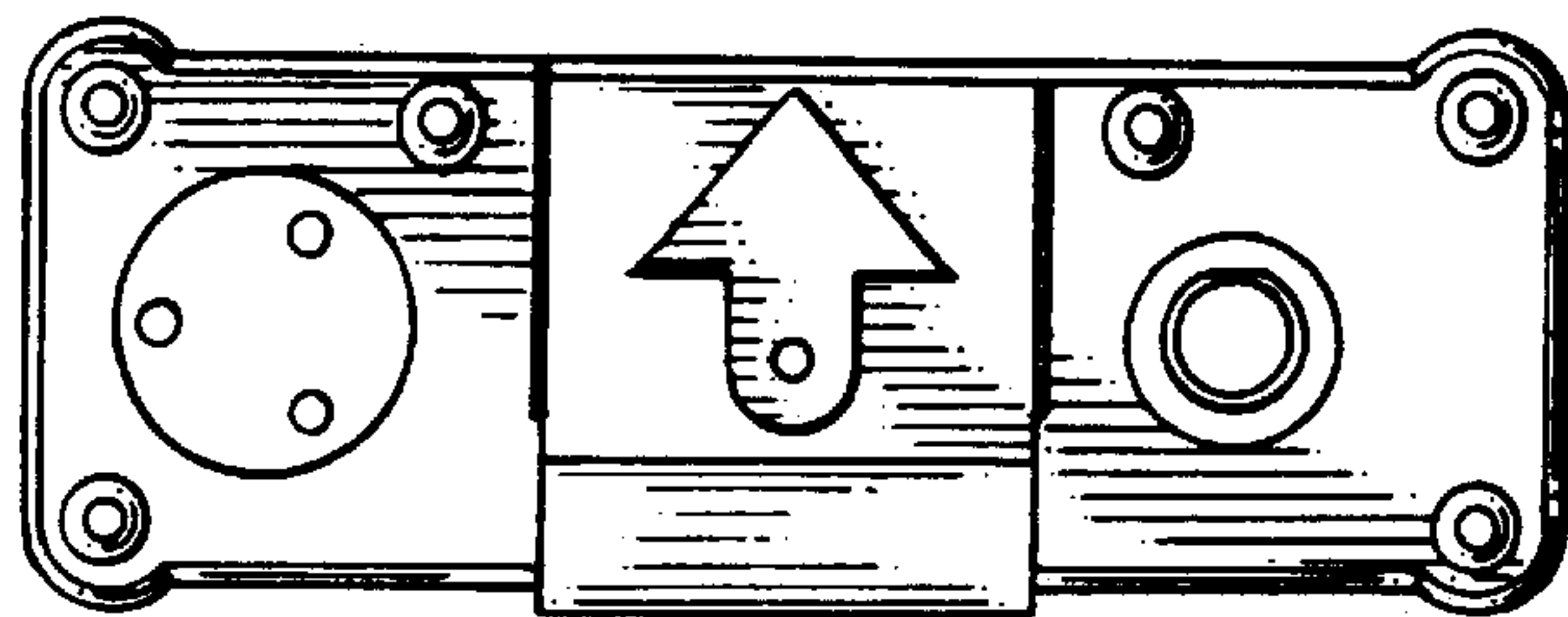


FIG. 6

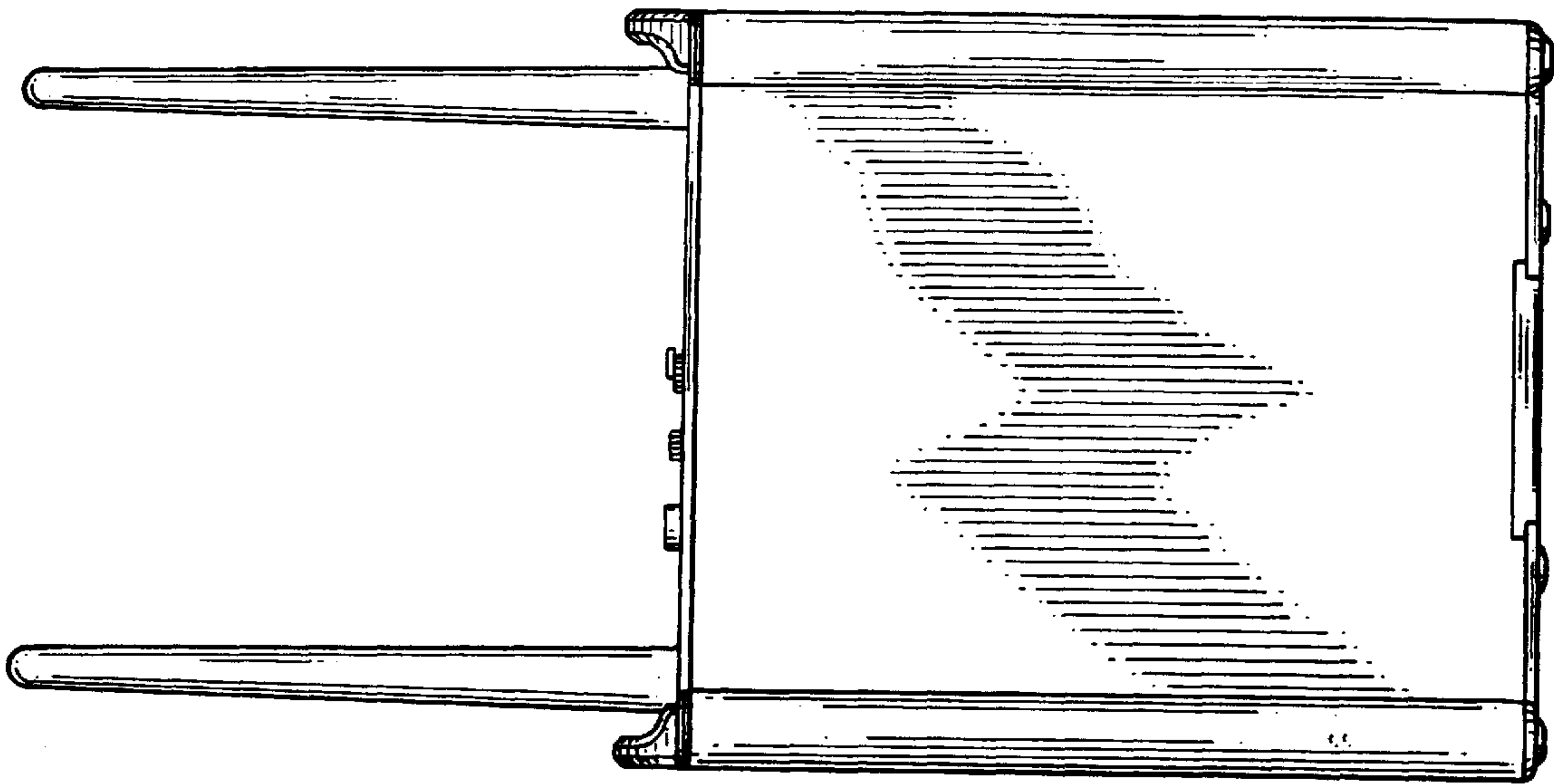


FIG. 7

