



US00D433641S

# United States Patent [19] Slocum

[11] **Patent Number: Des. 433,641**

[45] **Date of Patent: \*\* \*Nov. 14, 2000**

[54] **GONIOMETER FRAME**

5,561,912 10/1996 Strange, Jr. .... 33/573

[75] Inventor: **Barclay Slocum**, Eugene, Oreg.

*Primary Examiner*—Antoine Duval Davis  
*Attorney, Agent, or Firm*—Kolisch Hartwell Dickinson  
McCormack & Heuser

[73] Assignee: **D. Barclay Slocum**, Eugene, Oreg.

[\*] Notice: This patent is subject to a terminal disclaimer.

[57] **CLAIM**

[\*\*] Term: **14 Years**

The ornamental design for goniometer frame, as shown and described.

[21] Appl. No.: **29/051,298**

**DESCRIPTION**

[22] Filed: **Mar. 4, 1996**

FIG. 1 shows an isometric view of the preferred embodiment of the design of the present invention, with environment shown in dashed lines.

[51] **LOC (7) Cl.** ..... **10-04**

[52] **U.S. Cl.** ..... **D10/65**

FIG. 2 is a top plan view of the preferred embodiment of the design of the present invention, with environment shown in dashed lines.

[58] **Field of Search** ..... D10/61, 65; 33/1 N, 33/1 PT, 465, 471, 512, 569, 573, 640; 83/411.3, 412, 953; 128/774, 782; 269/58, 71; 378/73, 79, 81; 606/130, 204

FIG. 3 is a fragmentary view of a second, alternate embodiment of the design of the present invention.

FIG. 4 is a fragmentary view of a third, alternate embodiment of the design of the present invention.

[56] **References Cited**

**U.S. PATENT DOCUMENTS**

3,263,078	7/1966	Thackara et al. .
3,566,112	2/1971	Luechs .
3,600,575	8/1971	Chan .
3,628,761	12/1971	Thomas .
3,672,607	6/1972	Stauff et al. .
3,723,006	3/1973	Thomas .
4,183,482	1/1980	Jozwiak .
4,323,049	4/1982	Sogn .
4,631,832	12/1986	Schrammen et al. .
4,651,832	3/1987	Kubo .
4,658,411	4/1987	Argoud et al. .
5,263,492	11/1993	Voyce .
5,268,953	12/1993	Van Vlijmen .
5,387,331	2/1995	Ahern et al. .
5,481,111	1/1996	Rosar et al. .

FIG. 5 is a left-side elevation of the preferred embodiment of the design of the present invention, with environment shown in dashed lines.

FIG. 6 is a bottom plan view of the preferred embodiment of the design of the present invention, with environment shown in dashed lines.

FIG. 7 is a front elevation of the preferred embodiment of the design of the present invention, with environment shown in dashed lines.

FIG. 8 is a rear elevation of the preferred embodiment of the design of the present invention, with environment shown in dashed lines; and,

FIG. 9 is a right-side elevation of the preferred embodiment of the design of the present invention, with the environment shown in dashed lines.

**1 Claim, 1 Drawing Sheet**

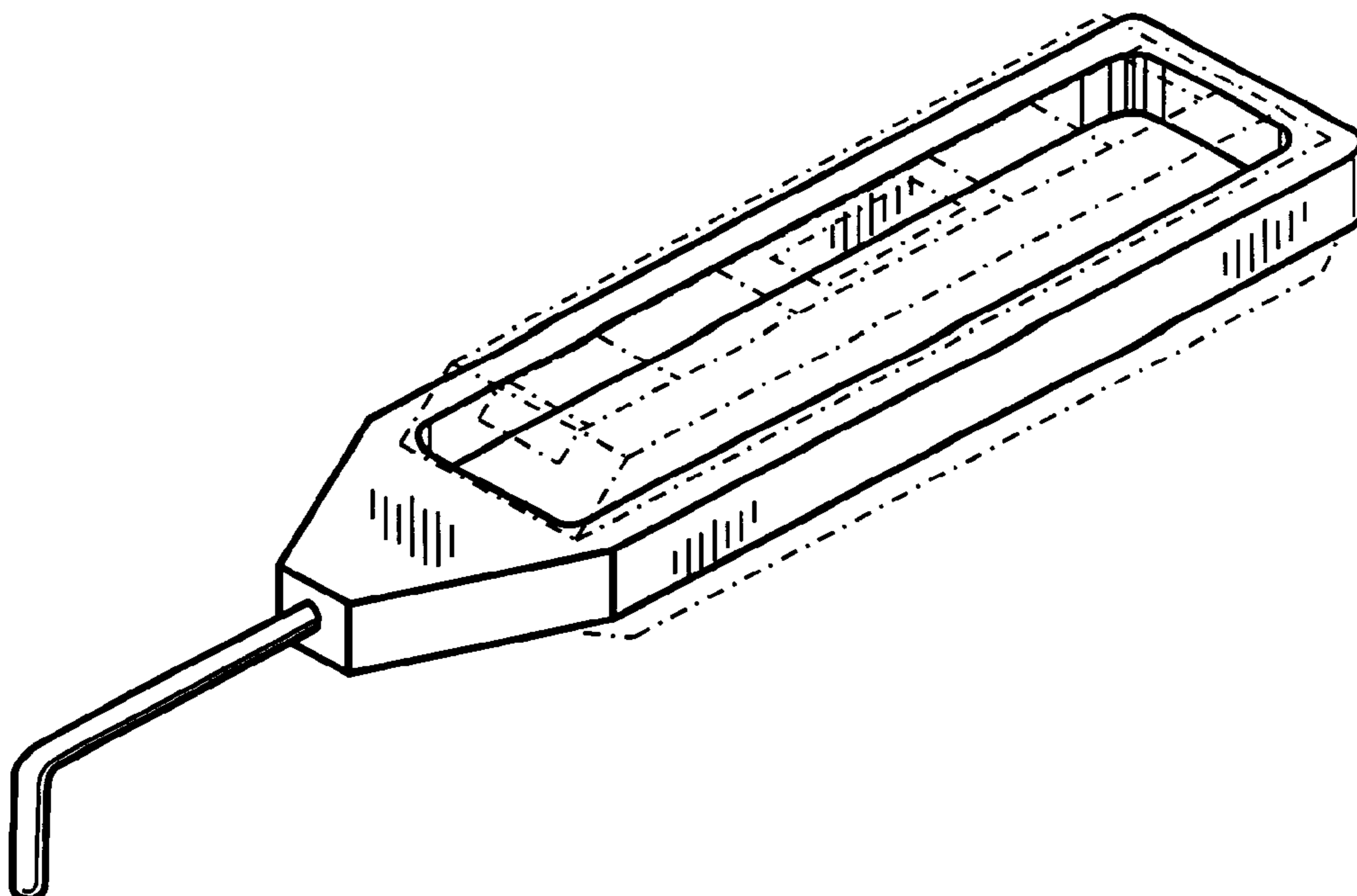


Fig. 1

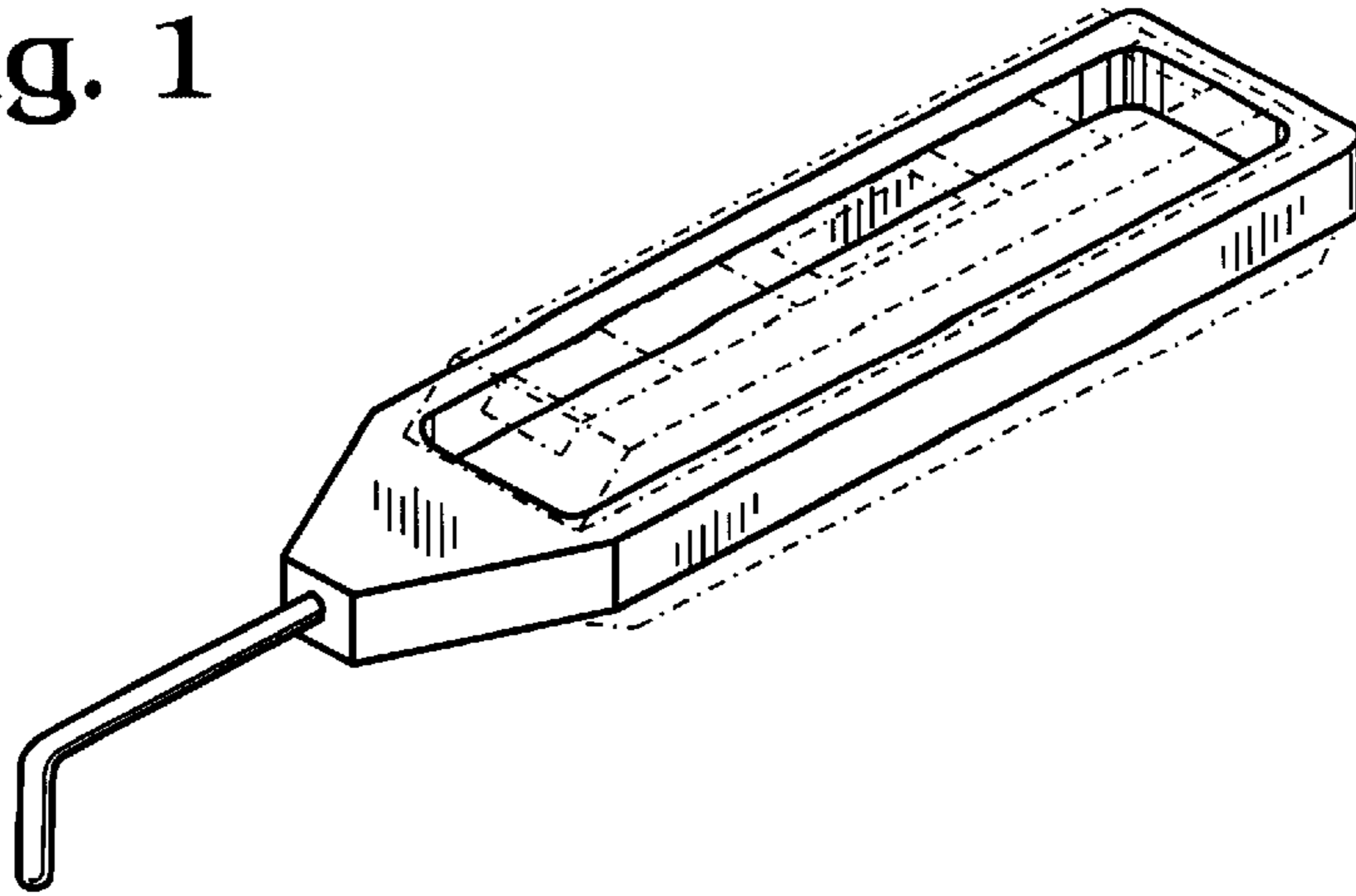


Fig. 2

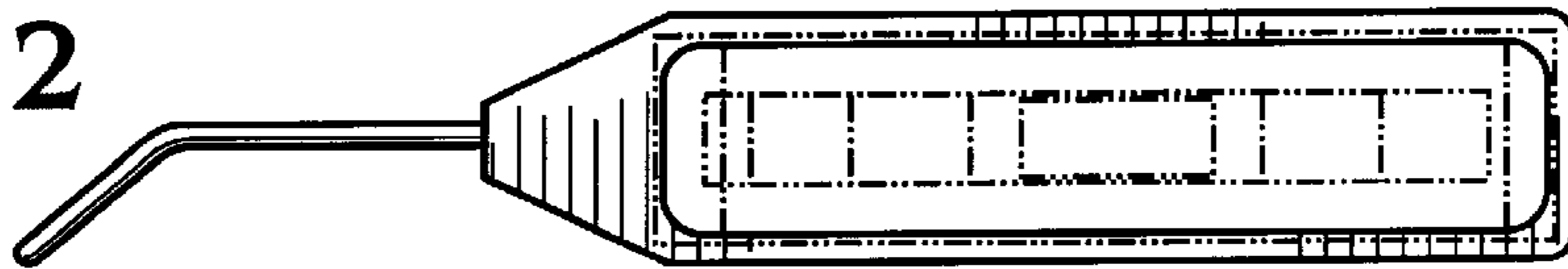


Fig. 3



Fig. 4

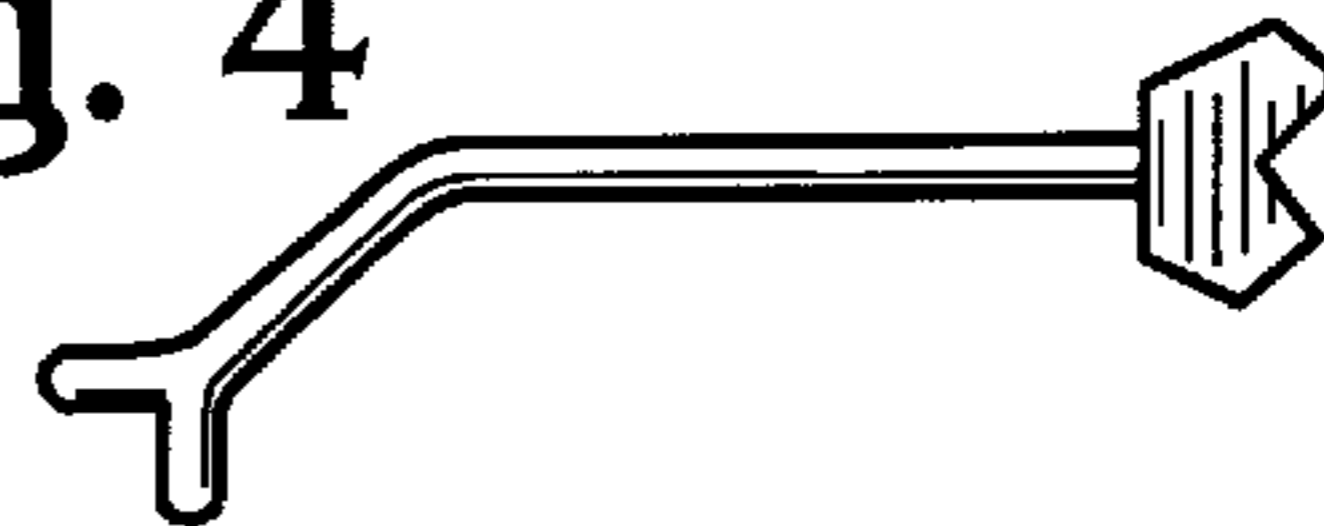


Fig. 5

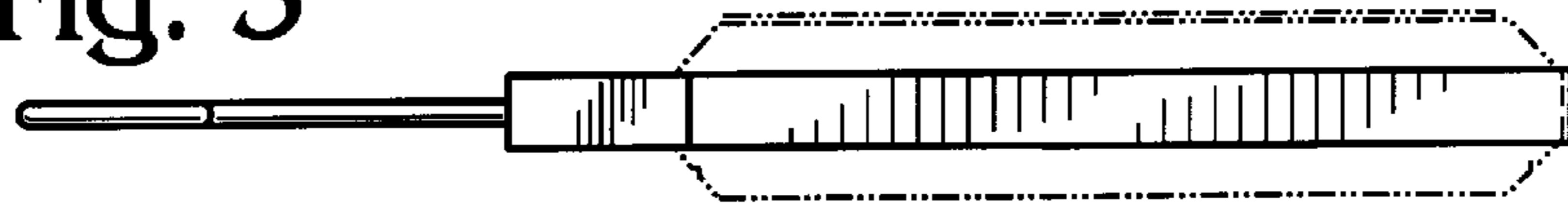


Fig. 6

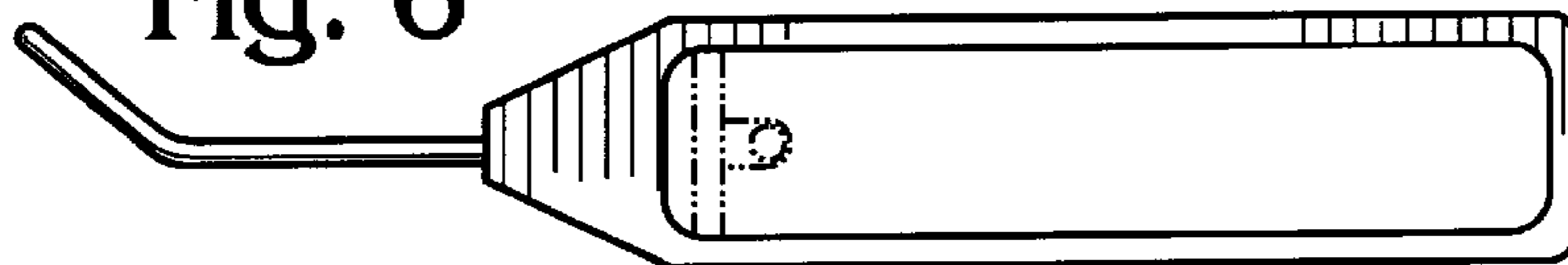


Fig. 7

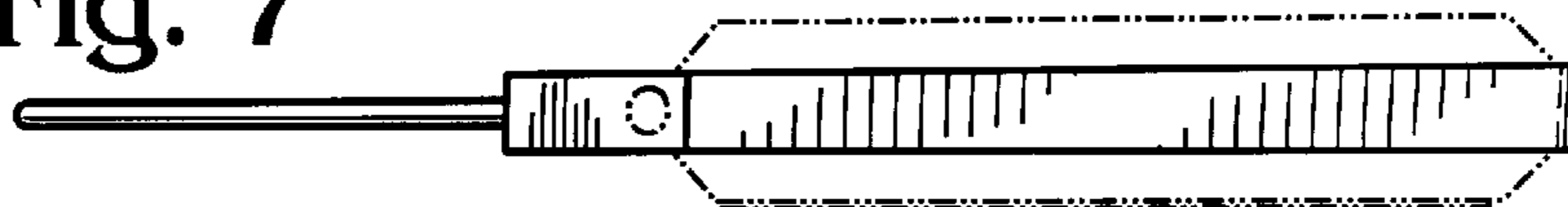


Fig. 8

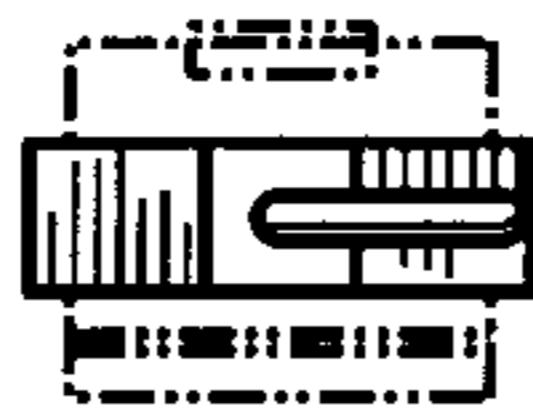


Fig. 9

