



US00D433632S

United States Patent [19]

Bender

[11] **Patent Number: Des. 433,632**

[45] **Date of Patent: ** Nov. 14, 2000**

[54] **BOTTLE AND STAND**

6,003,693 12/1999 Blickenstaff 211/74

[76] Inventor: **Tracy Bender**, 16032 S. 45th Pl.,
Phoenix, Ariz. 85048

Primary Examiner—Mitchell Siegel
Attorney, Agent, or Firm—Meschkow & Gresham, P.L.C.;
Jordan M. Meschkow; Lowell W. Gresham

[**] Term: **14 Years**

[57] CLAIM

[21] Appl. No.: **29/116,572**

The ornamental design for a bottle and stand, as shown and described.

[22] Filed: **Jan. 5, 2000**

[51] **LOC (7) Cl.** **09-01**

DESCRIPTION

[52] **U.S. Cl.** **D9/517; D7/619**

FIG. 1 is a front perspective view of a bottle and stand, showing my new design therefor;
FIG. 2 is a side view therefor, showing the left side, the right side being a mirror image thereof;
FIG. 3 is a frontal view therefor;
FIG. 4 is a rear view therefor;
FIG. 5 is a top plan view therefor; and,
FIG. 6 is a bottom plan view therefor.

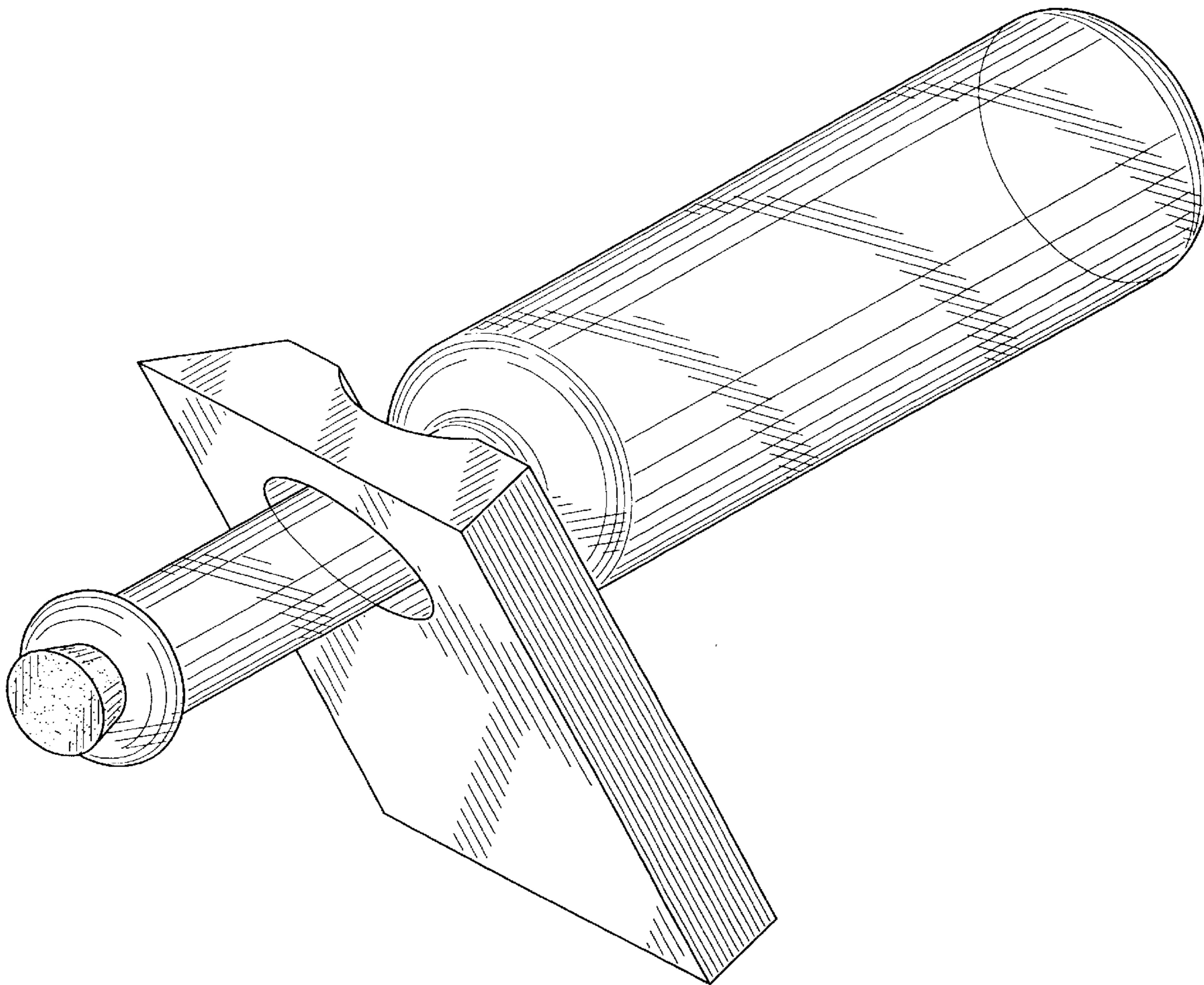
[58] **Field of Search** D9/517; D7/619,
D7/621; 211/71, 74; 248/105, 133, 146;
215/395

[56] References Cited

U.S. PATENT DOCUMENTS

D. 377,885	2/1997	Knapton	D7/619
D. 422,458	4/2000	Tate	D7/619
4,496,124	1/1985	Cole	248/146

1 Claim, 4 Drawing Sheets



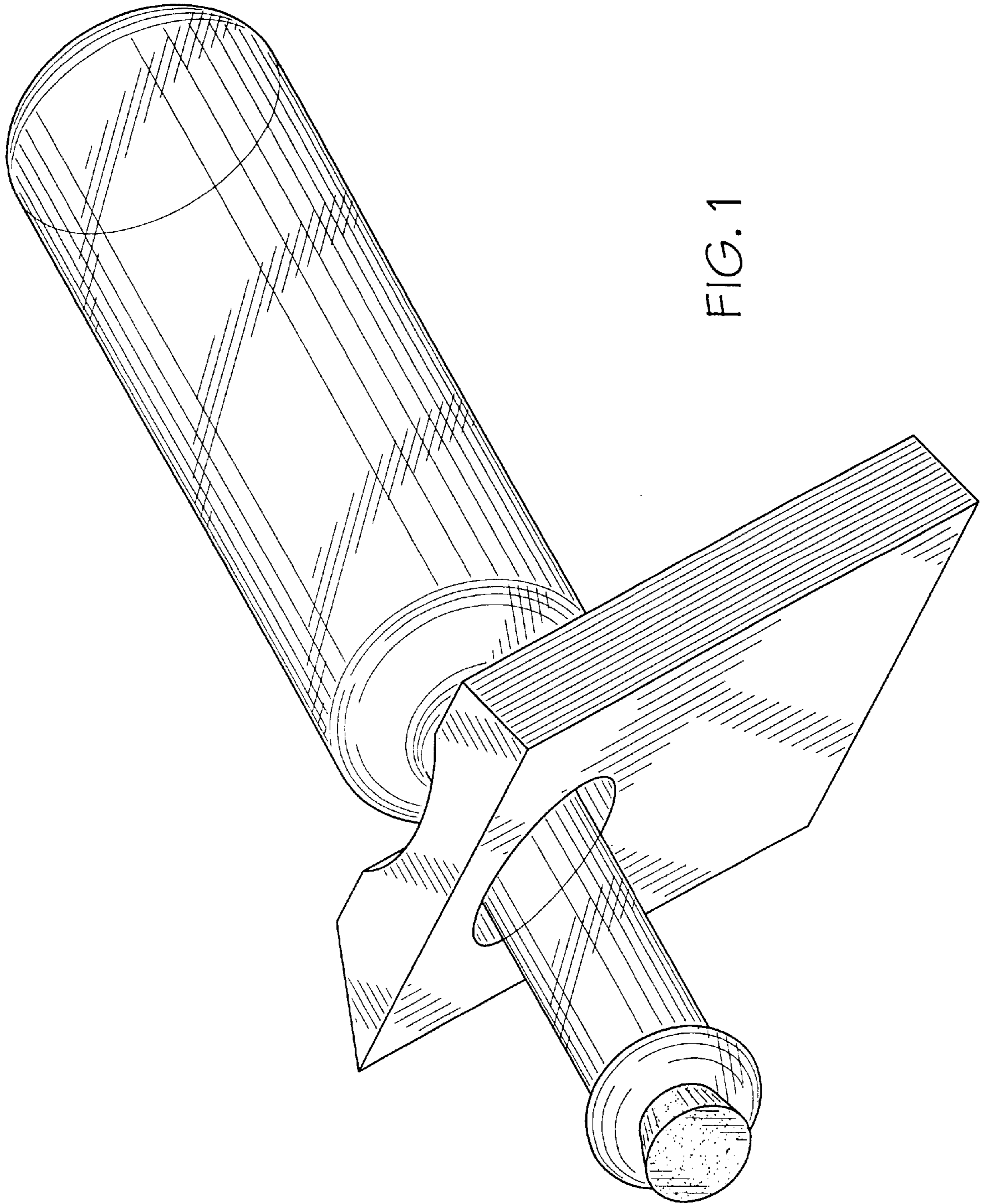


FIG. 1

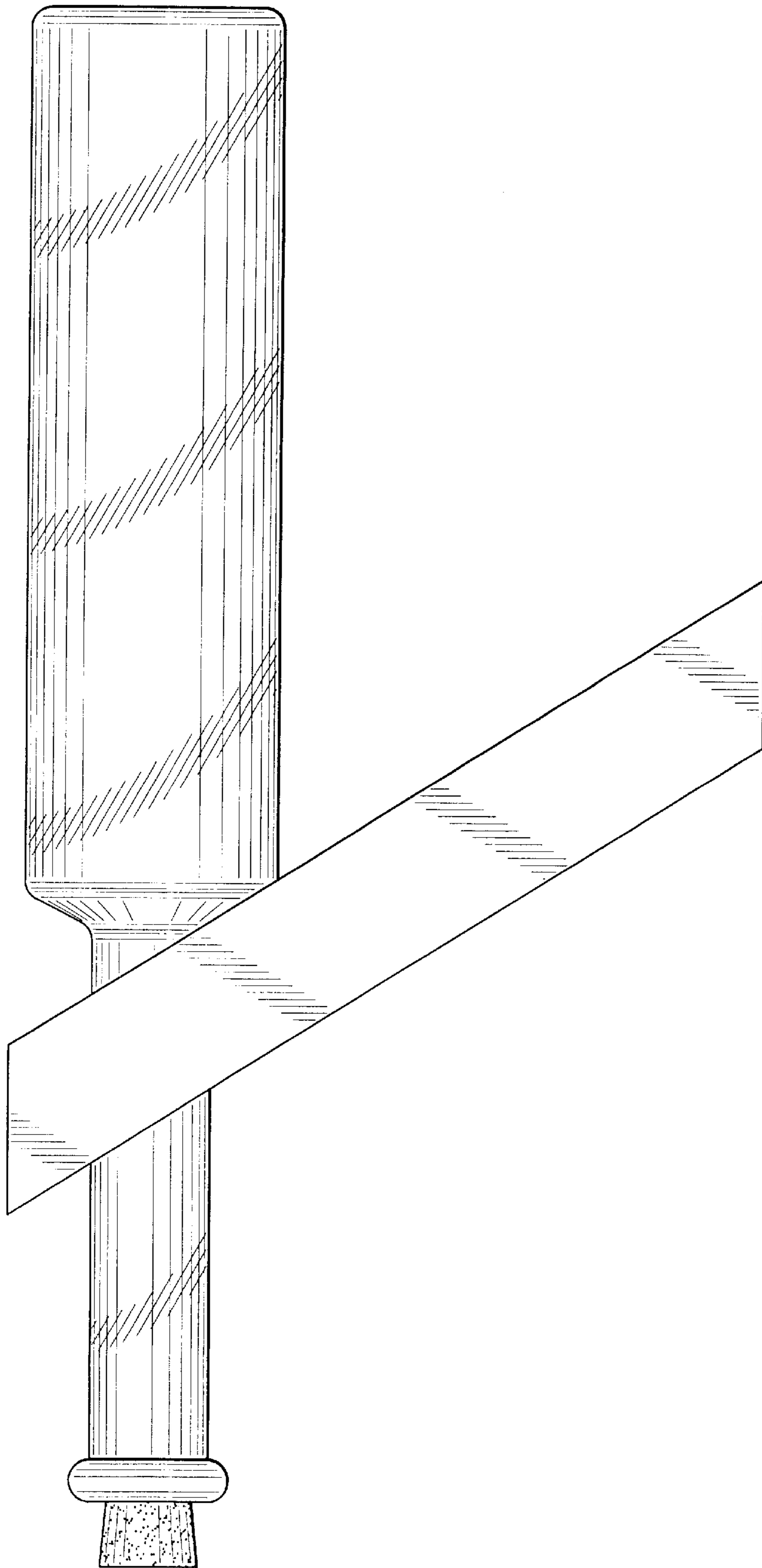


FIG. 2

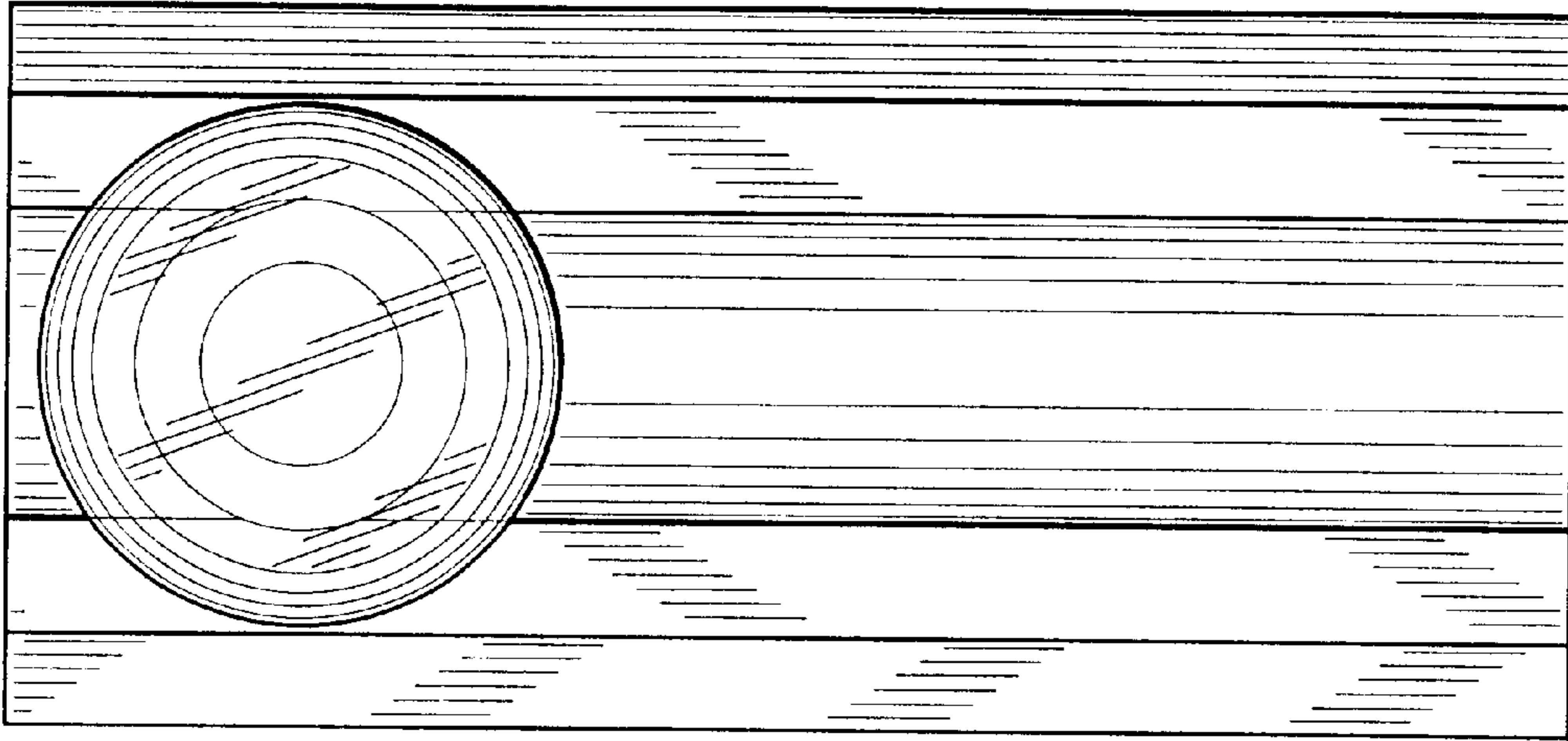


FIG. 4

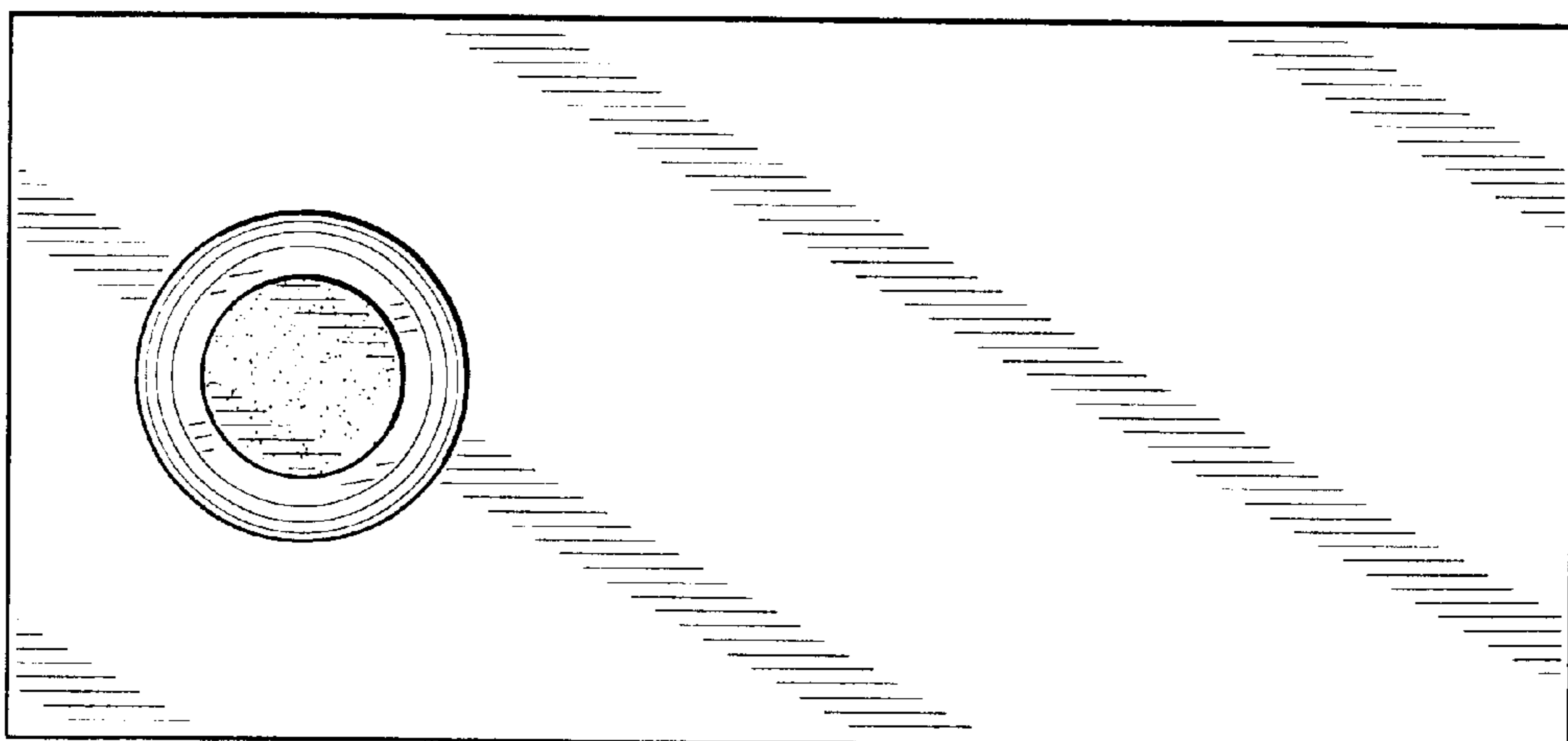


FIG. 3

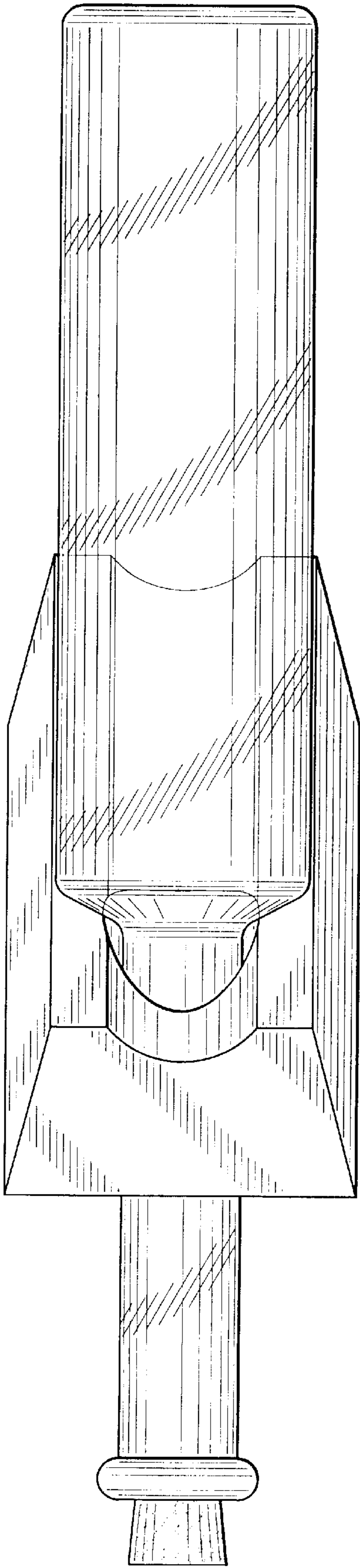


FIG. 5

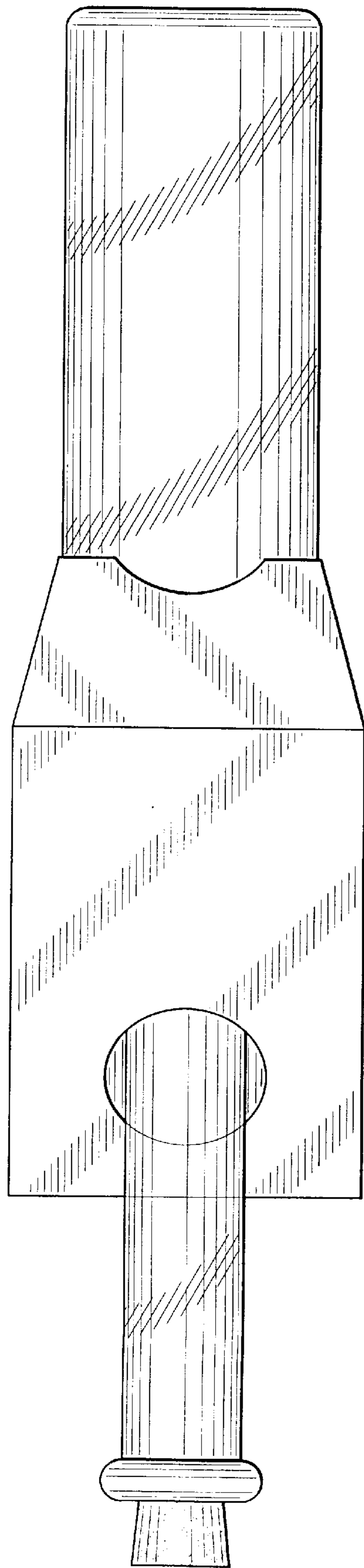


FIG. 6