



US00D433630S

United States Patent [19]

Lubineau-Bigot et al.

[11] Patent Number: Des. 433,630

[45] Date of Patent: ** Nov. 14, 2000

[54] **BOX**

[75] Inventors: **Marie-Hélène Lubineau-Bigot**, Vincennes; **Stéphanie Favard**, Pantin; **Charles Ramirez**, Collegien; **Alain Ducreuzet**, Larcay; **Jean-Pierre Denis**, Saint Pierre des Corps, all of France

2,973,086 2/1961 Thompson 229/160.2
 3,737,095 6/1973 Derauf 229/160.2
 4,285,150 8/1981 Richardson et al. 229/150
 4,341,339 7/1982 Zore 229/148
 5,226,532 7/1993 Davidson et al. 206/232
 5,791,468 8/1998 House 206/308.1

[73] Assignee: **Chesapeake Display & Packaging Europe**, Noisy le Grand, France

[**] Term: **14 Years**

[21] Appl. No.: **29/101,285**

[22] Filed: **Feb. 26, 1999**

[30] **Foreign Application Priority Data**

Aug. 26, 1998 [FR] France 98 4930

[51] **LOC (7) Cl.** **09-03**

[52] **U.S. Cl.** **D9/416; D9/432**

[58] **Field of Search** D7/602, 629; D3/273; D9/307, 314, 318, 329, 335, 337, 341, 345, 347, 414-416, 420-421, 425-426, 428, 430-432, 451, 499; 229/160.2, 229, 232, 150-152, 145, 223; 206/45.29, 45.3, 308.1, 232, 0.815

[56] **References Cited**

U.S. PATENT DOCUMENTS

D. 351,104 10/1994 Kapp D9/432
 371,925 10/1887 Craw 229/122.33
 407,494 7/1889 Schwartz 229/152
 D. 415,419 10/1999 Abiteboul D9/432
 610,522 9/1898 Brown 206/0.815
 2,089,067 8/1937 Myers 229/120.08

FOREIGN PATENT DOCUMENTS

80-2050 10/1980 Sweden .
 51 291 11/1991 Sweden .
 51 292 11/1991 Sweden .
 52 293 11/1991 Sweden .
 93-1943 3/1994 Sweden .
 92-1687 9/1994 Sweden .

Primary Examiner—Ted Shooman
Assistant Examiner—Carol Rademaker
Attorney, Agent, or Firm—Young & Thompson

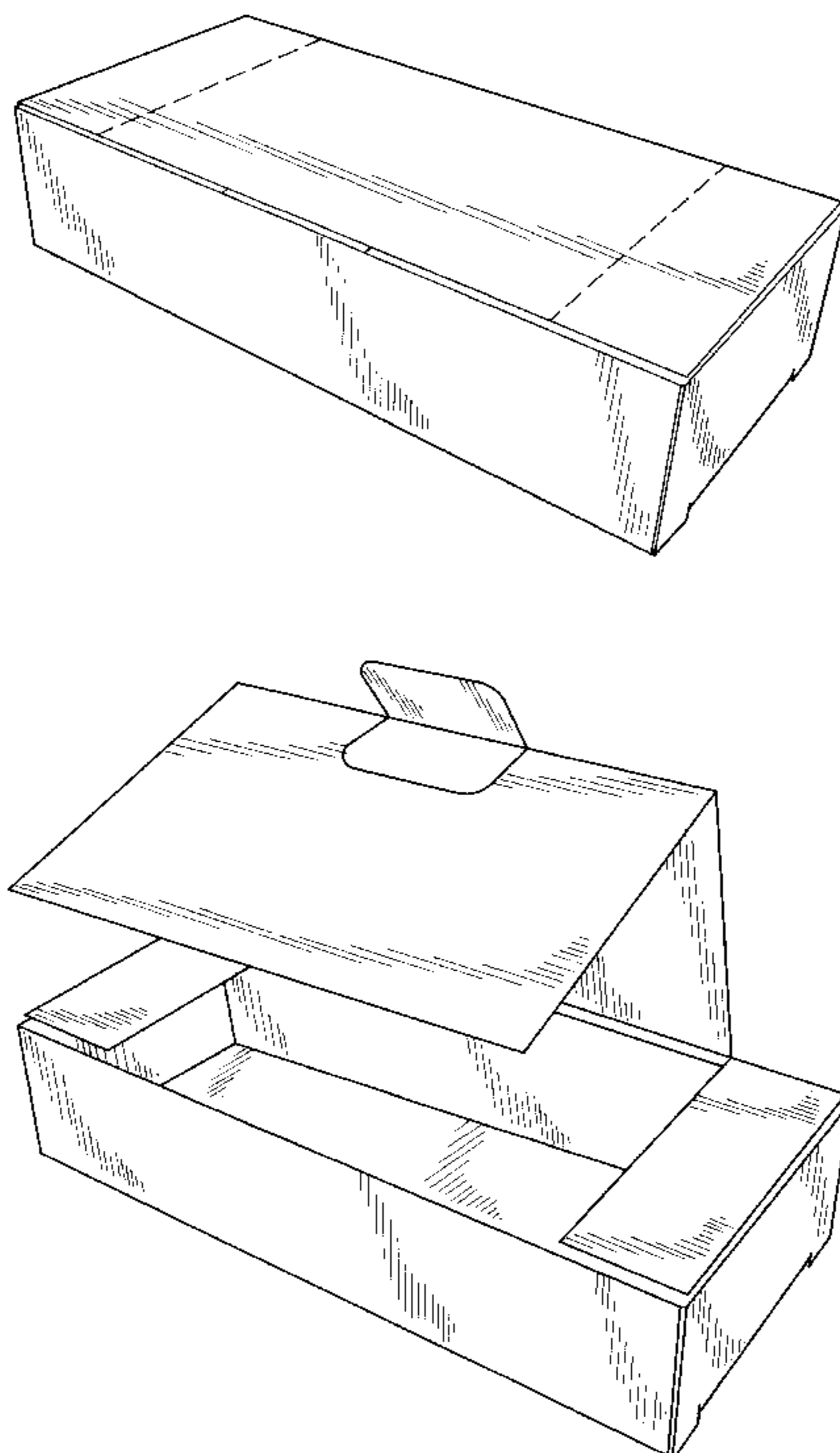
[57] **CLAIM**

The ornamental design for a box, as shown and described.

DESCRIPTION

FIG. 1 is a top, front, and side perspective view of a box showing our new design, with the closure flap shown in a closed condition;
 FIG. 2 is a top, front, and side perspective view thereof, with the closure flap shown in an open condition;
 FIG. 3 is a top, front, and side perspective view thereof, with the closure flap shown in an open and unfolded condition; and,
 FIG. 4 is a top, front, and side perspective view thereof, with the closure flap shown in a partially open condition.
 The dashed lines shown in FIG. 1 represent tear lines.
 The sides opposite those shown and the bottom are flat and unornamented.

1 Claim, 4 Drawing Sheets



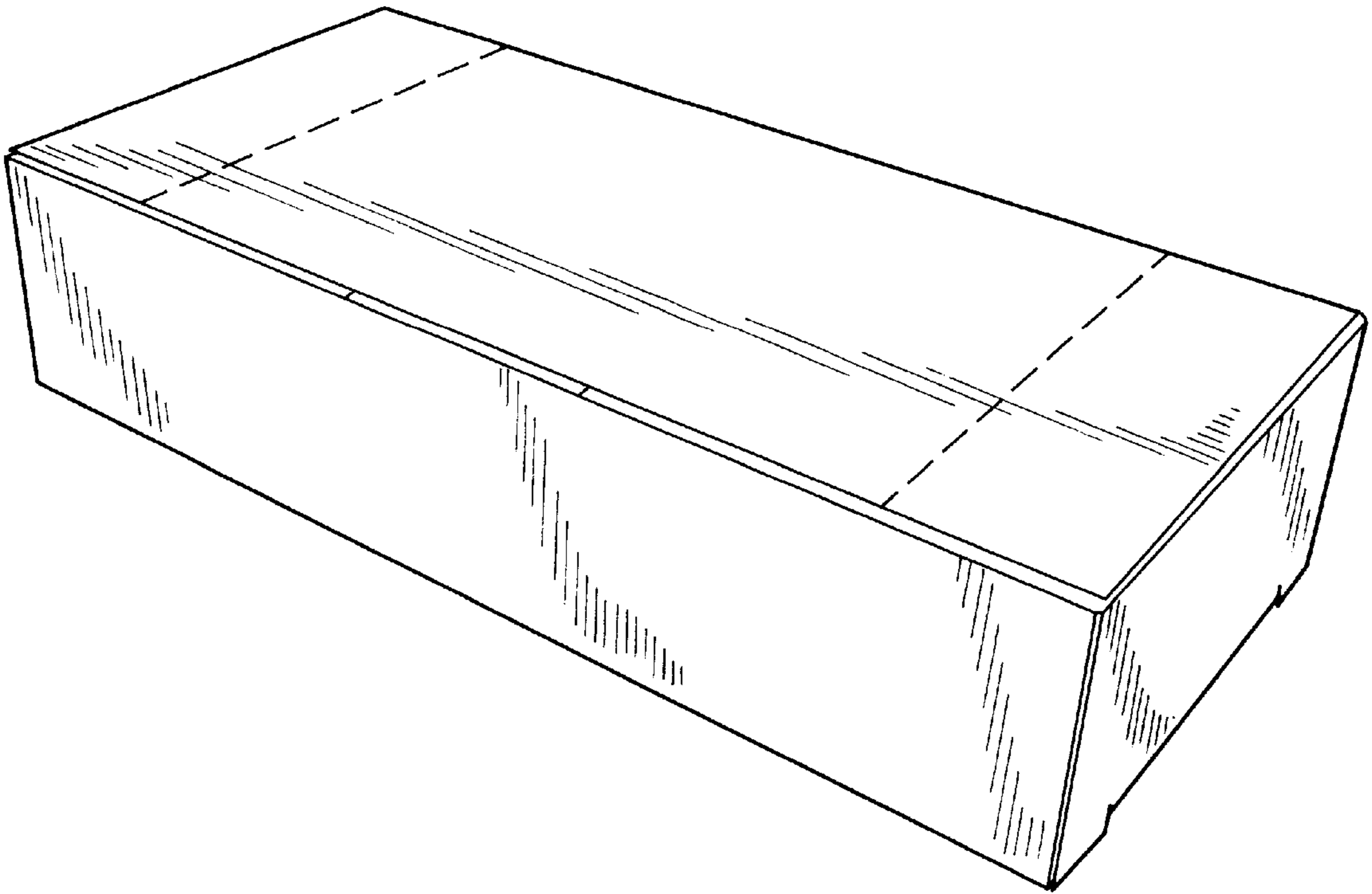


FIG. 1

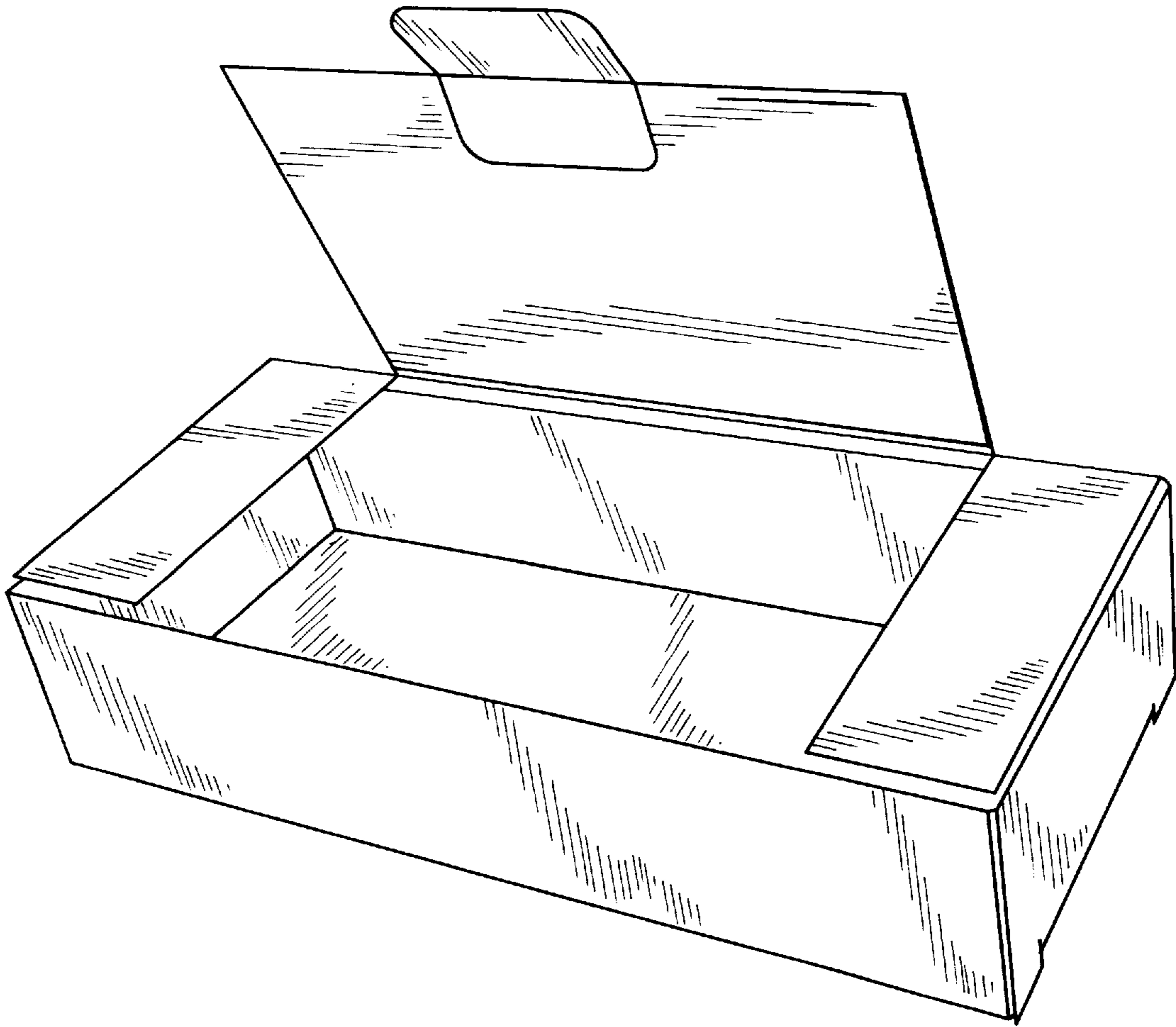


FIG. 2

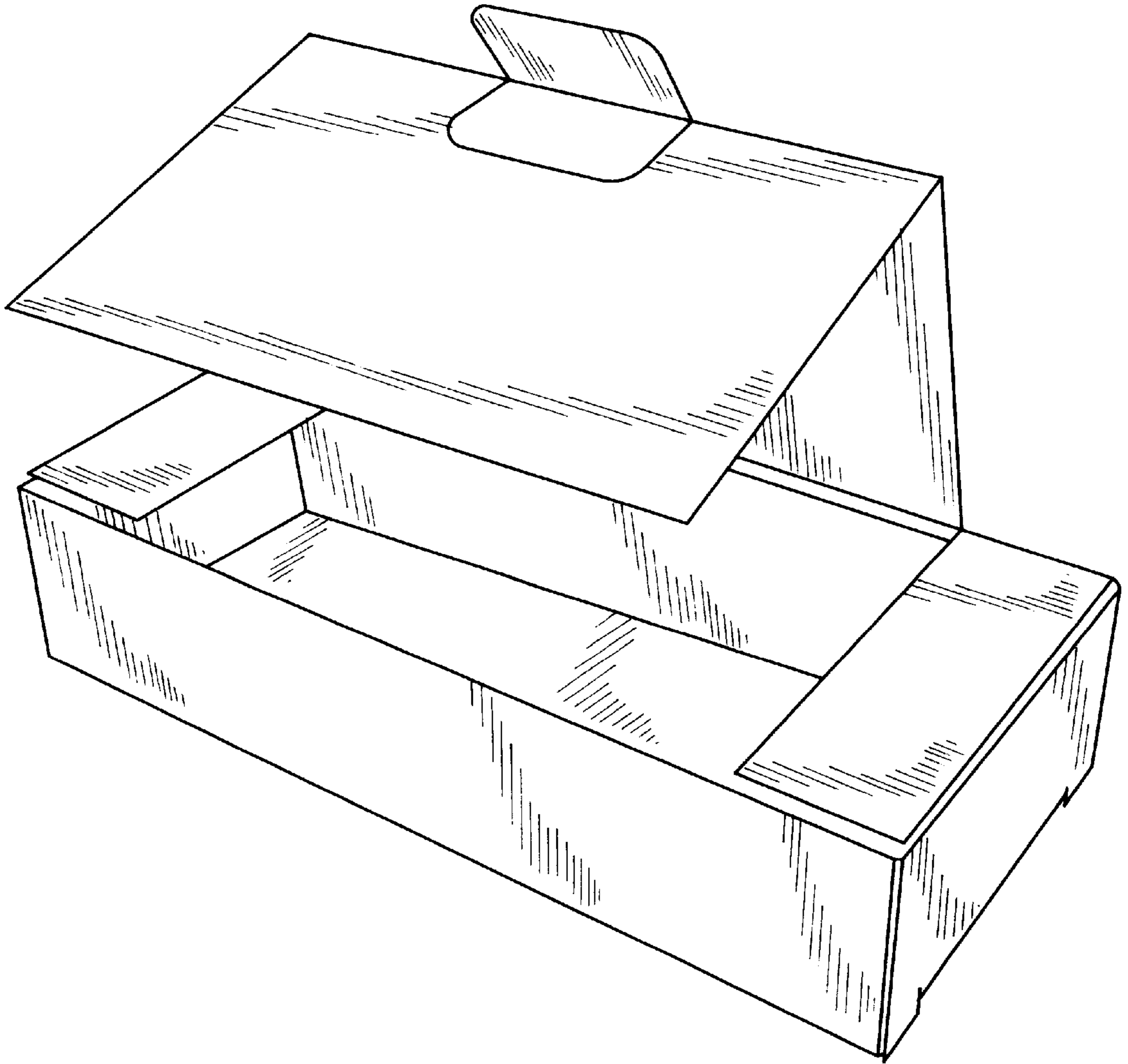


FIG. 3

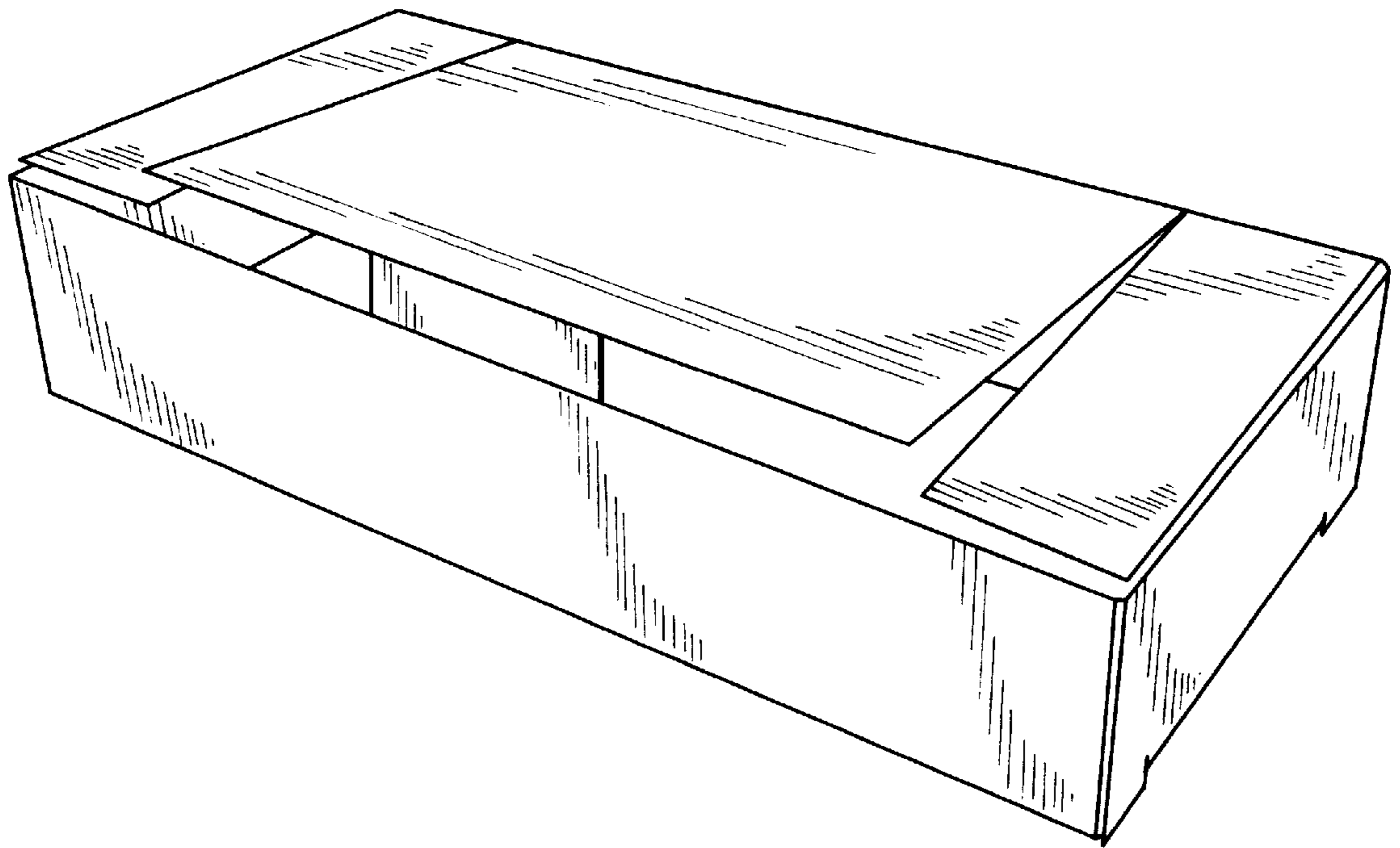


FIG. 4