



US00D433629S

United States Patent [19]

Clarke et al.

[11] Patent Number: Des. 433,629

[45] Date of Patent: ** Nov. 14, 2000

[54] BATTERY PACKAGE

[75] Inventors: Peter B. Clarke, Fairfield; Javier Verdura, Milford, both of Conn.; Frederic Hedouin, Paris, France; Ruthanne Salvatore; Deborah Kerrigan, both of Brookfield, Conn.; Christian Roberts, South Norwalk, Conn.; S. David Farnworth, Westport, Conn.

[73] Assignee: The Gillette Company, Boston, Mass.

[**] Term: 14 Years

[21] Appl. No.: 29/121,163

[22] Filed: Mar. 31, 2000

[51] LOC (7) Cl. 09-07

[52] U.S. Cl. D9/415; D9/423

[58] Field of Search D9/415, 418, 414, D9/420-423, 337; 206/461-471, 806, 495, 703, 704, 705; 220/244, 334, 337

[56] References Cited

U.S. PATENT DOCUMENTS

D. 364,803	12/1995	Wada	D9/415
D. 366,412	1/1996	Peischl et al.	D9/415
D. 398,844	9/1998	Oberloier	D9/415
4,619,364	10/1986	Czopor, Jr.	206/470 X
5,033,616	7/1991	Wyser	206/470 X

5,462,167	10/1995	Polinski et al.	206/470 X
5,670,268	9/1997	Mancusi	206/705
6,039,185	3/2000	Pedracine et al.	206/704

OTHER PUBLICATIONS

Techform Inc, Nov. 1982.
Modern Packaging Catalog, p. 300, Jan. 1941
Primary Examiner—Prabhakar Deshmukh
Attorney, Agent, or Firm—Barry D. Josephs; Paul I. Douglas; Thomas G. Krivulka

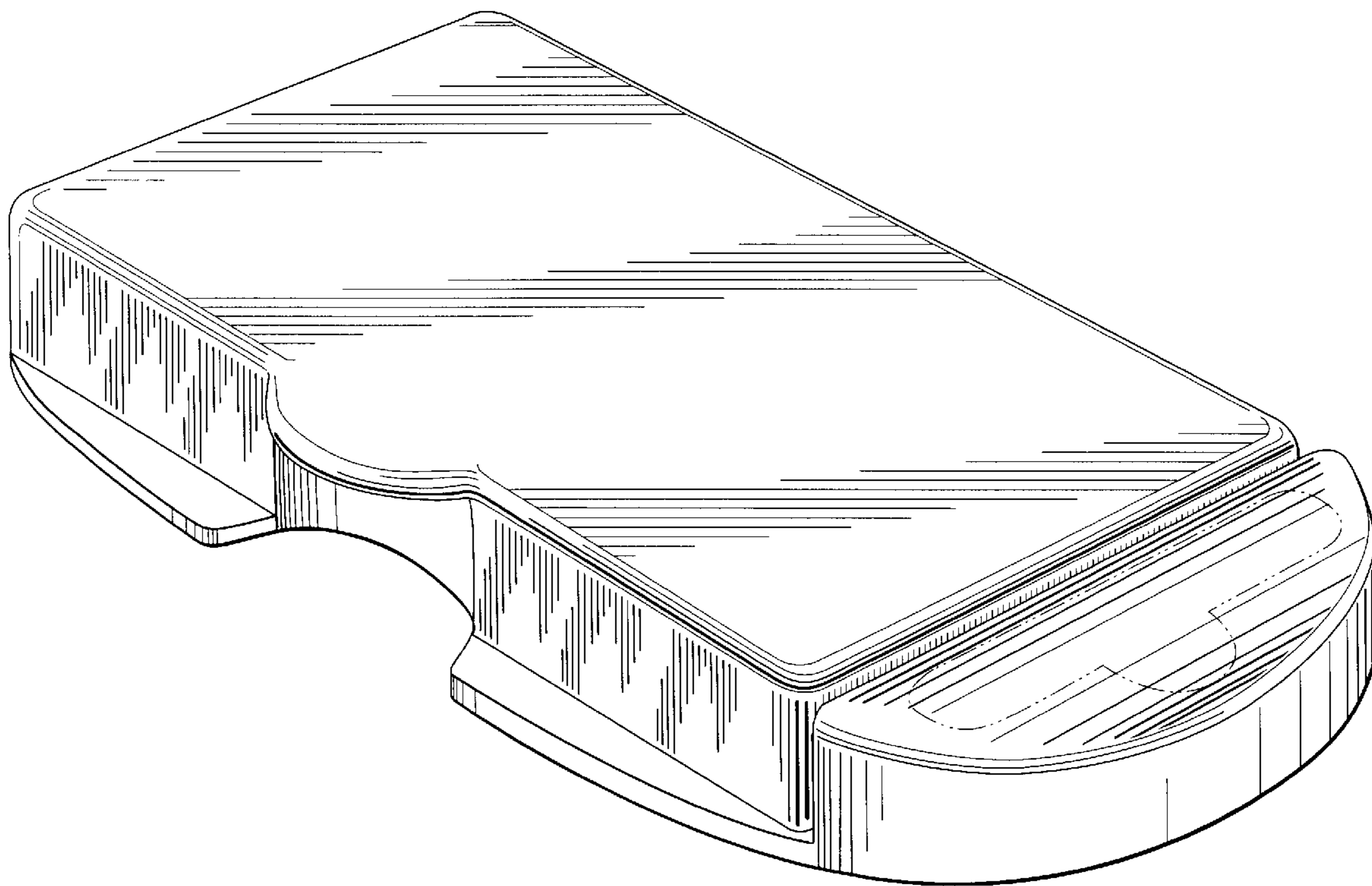
[57] CLAIM

The ornamental design for the battery package, as shown and described.

DESCRIPTION

FIG. 1 is a top perspective view of the battery package of the invention;
FIG. 2 is a top perspective view of the battery package in open position;
FIG. 3 is top plan view of FIG. 2;
FIG. 4 is bottom plan view FIG. 2;
FIG. 5 is a front end view of FIG. 2;
FIG. 6 is a rear end view of FIG. 2;
FIG. 7 is a right side elevation view of FIG. 2; and,
FIG. 8 is a left side elevation view of FIG. 2.
The broken line disclosure of unclaimed environmental structure shown in the drawings is for illustrative purposes only and does not constitute a part of the claimed design.

1 Claim, 6 Drawing Sheets



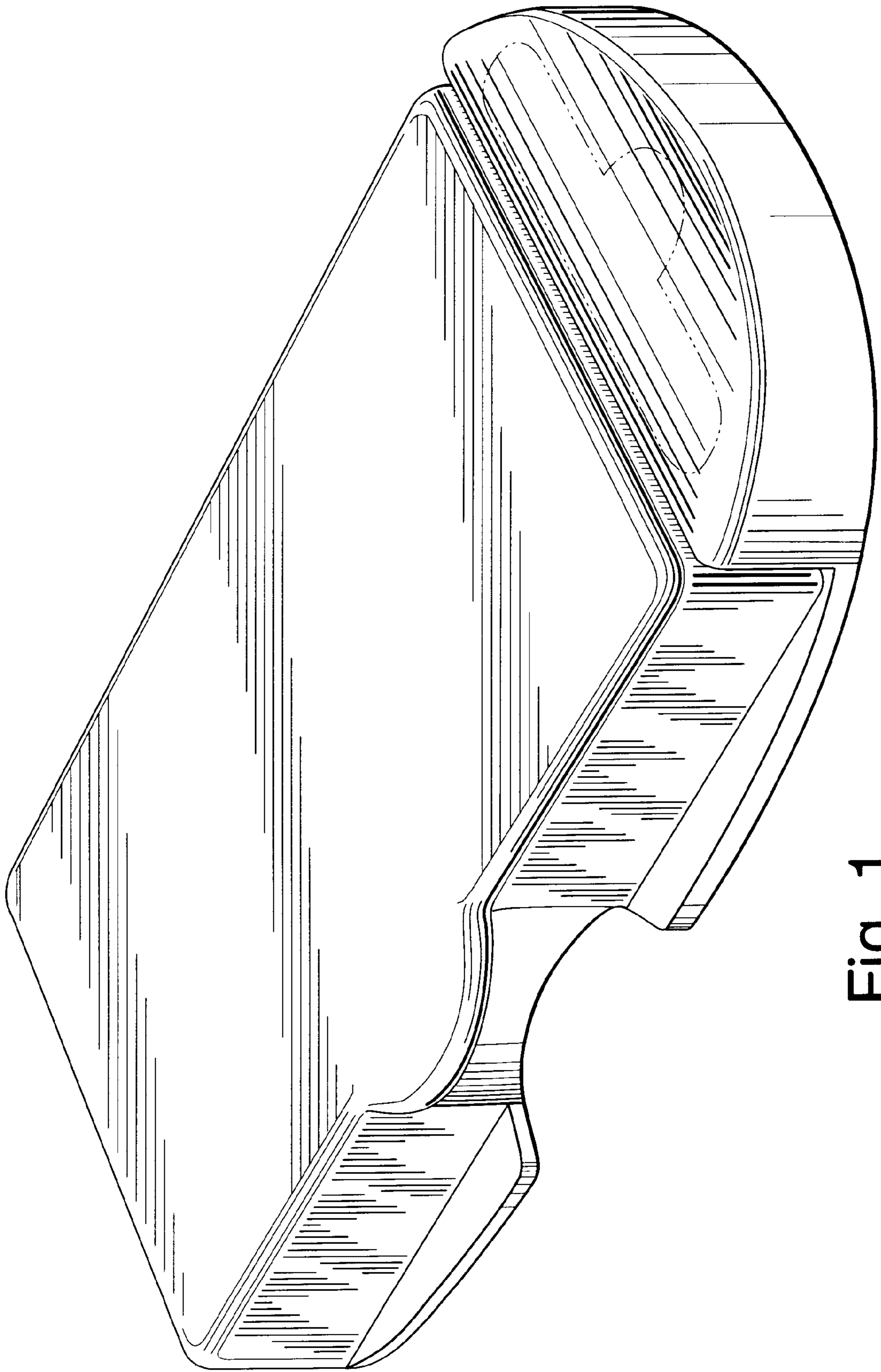


Fig. 1

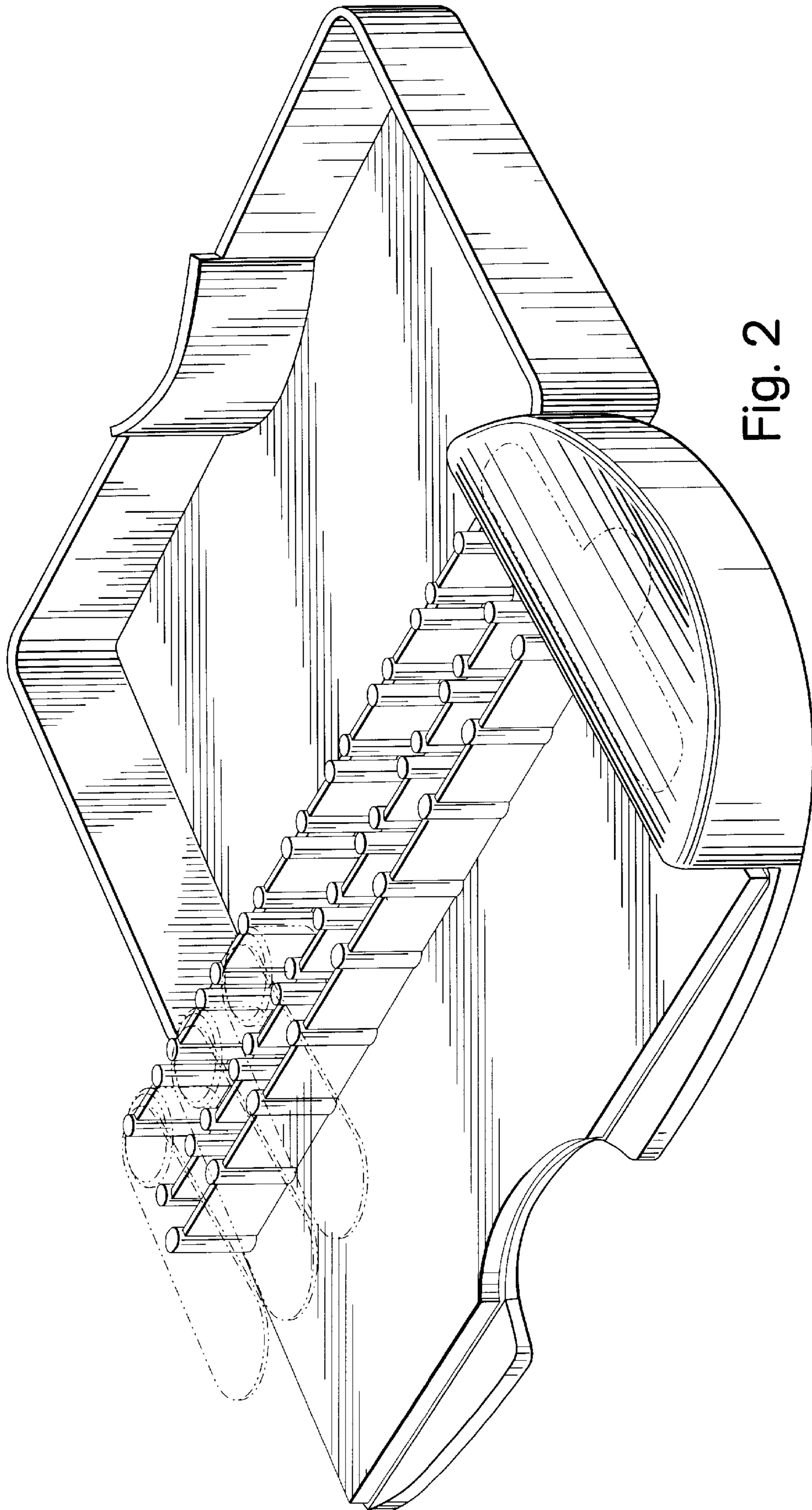


Fig. 2

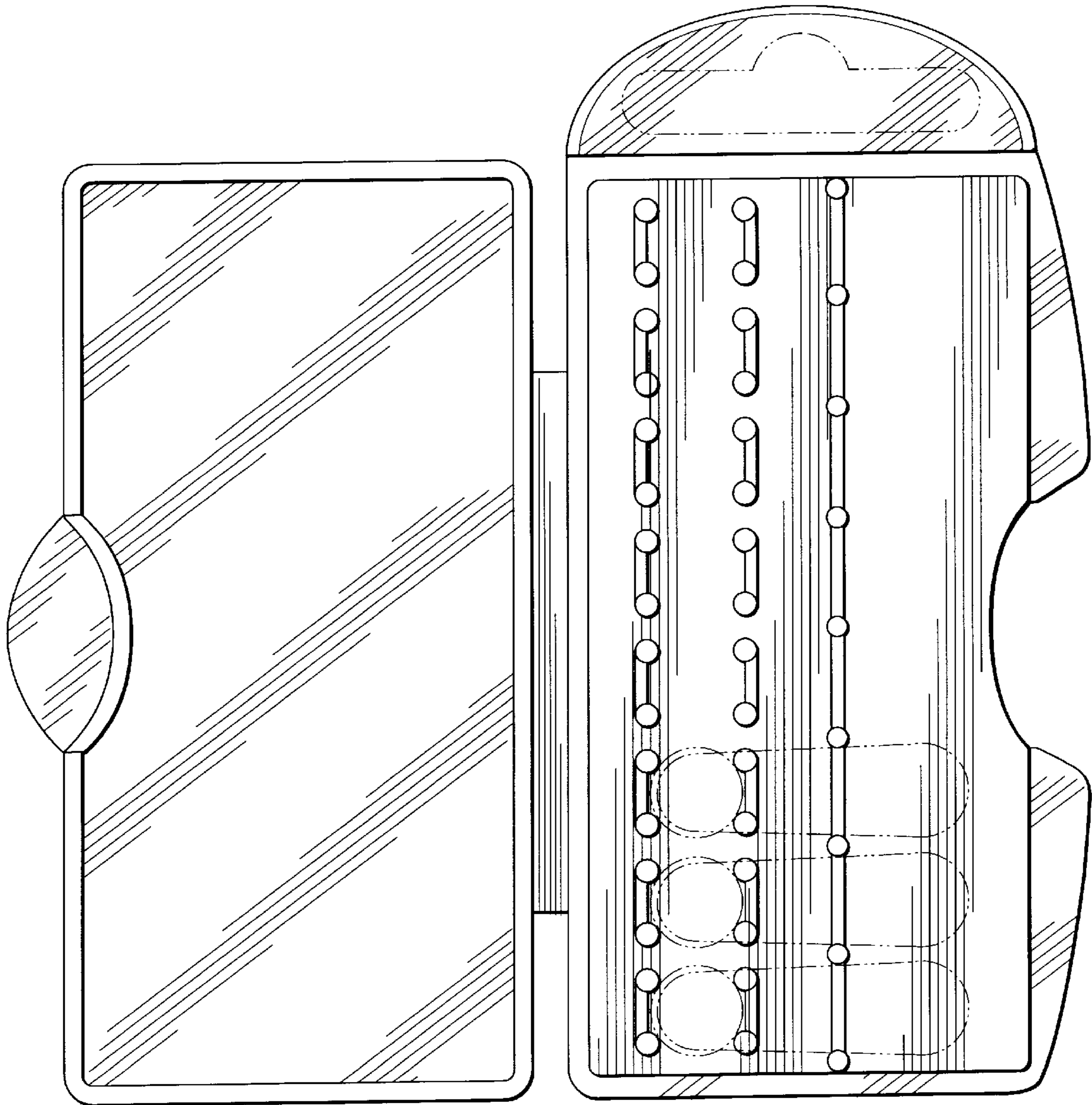


Fig. 3

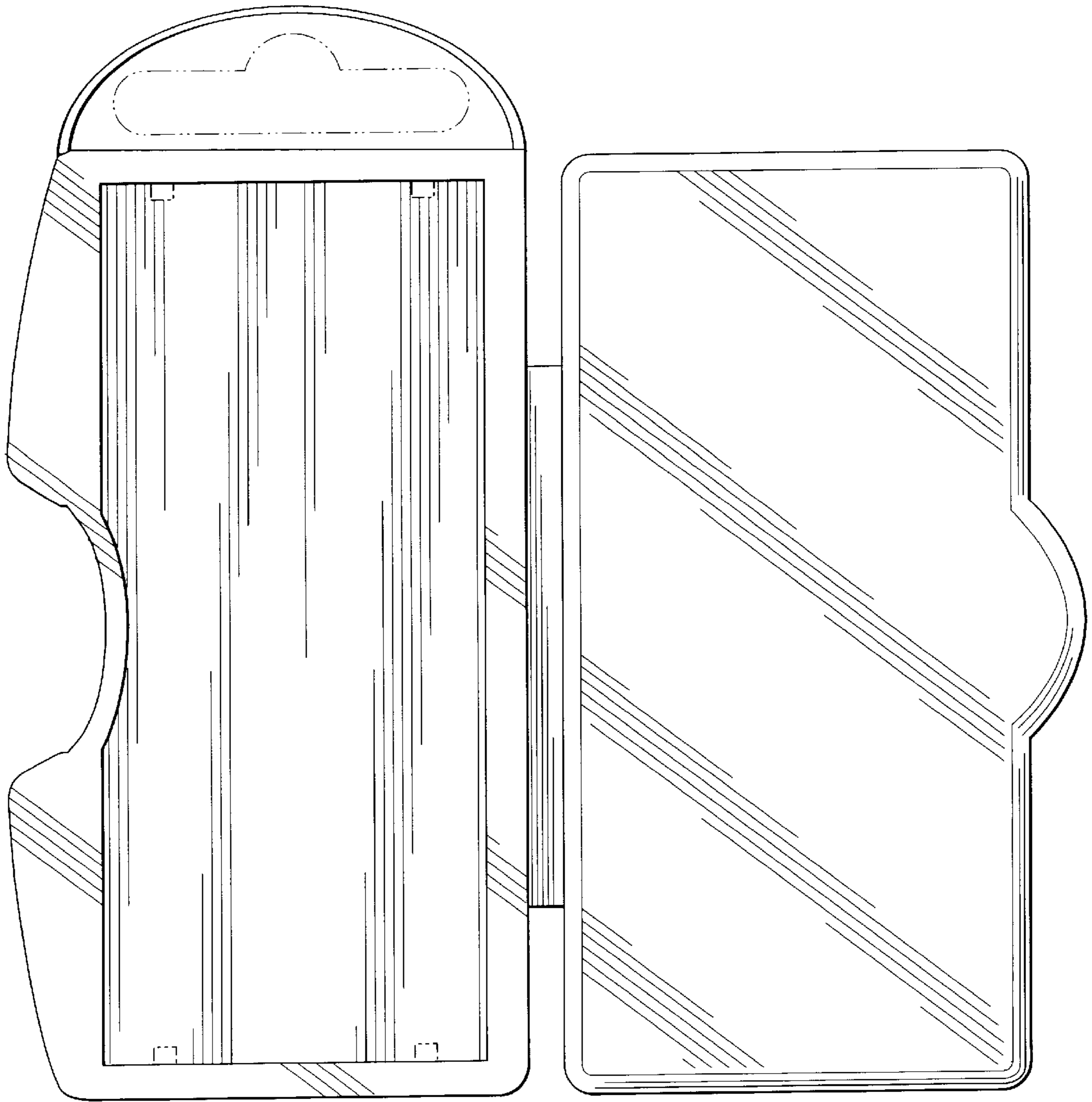


Fig. 4

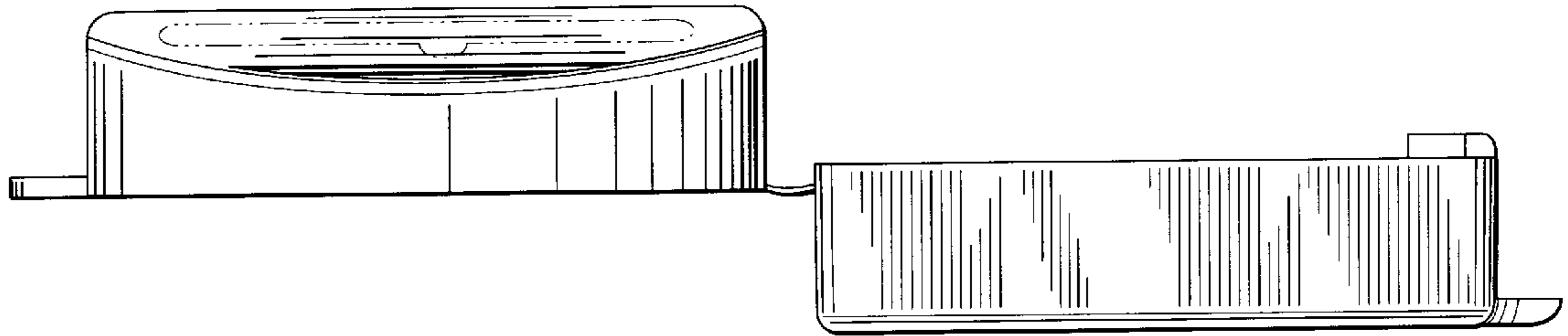


Fig. 5

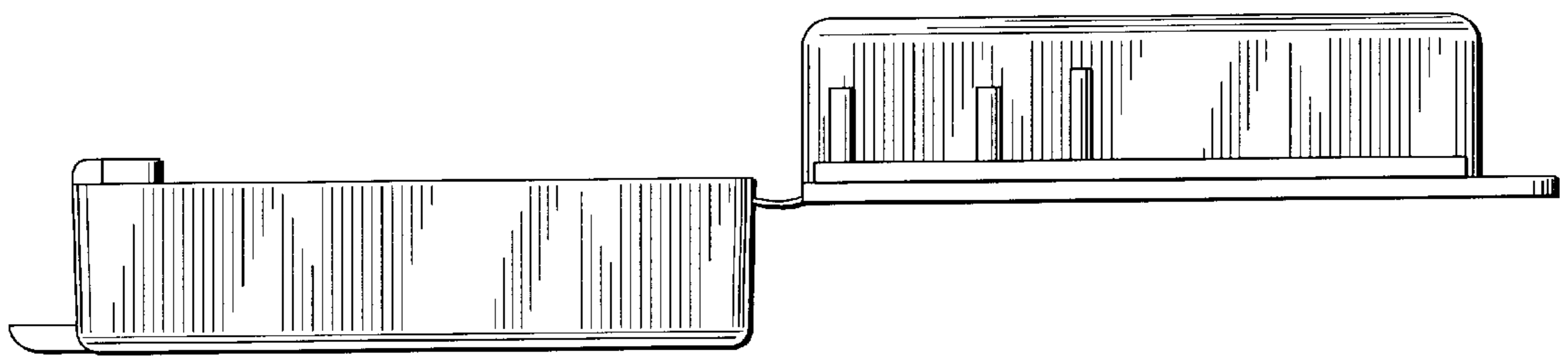


Fig. 6

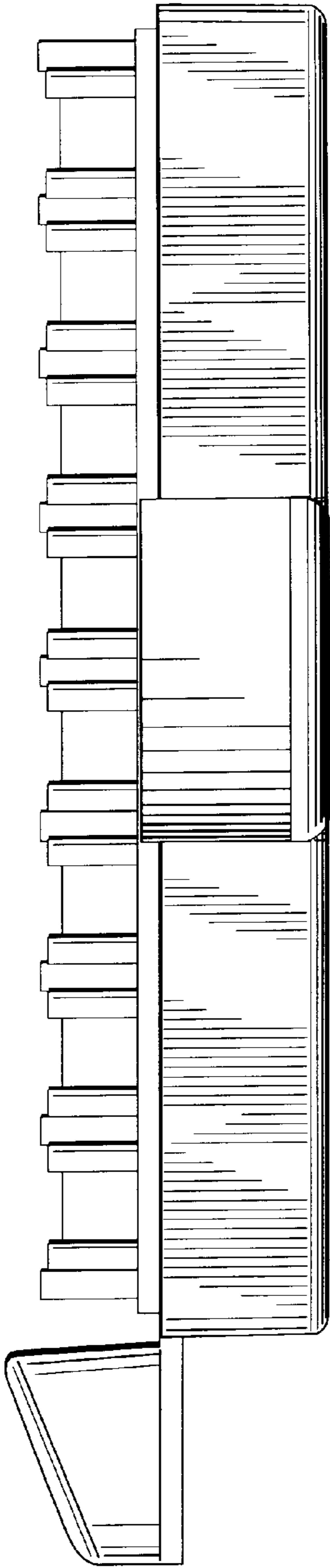


Fig. 7

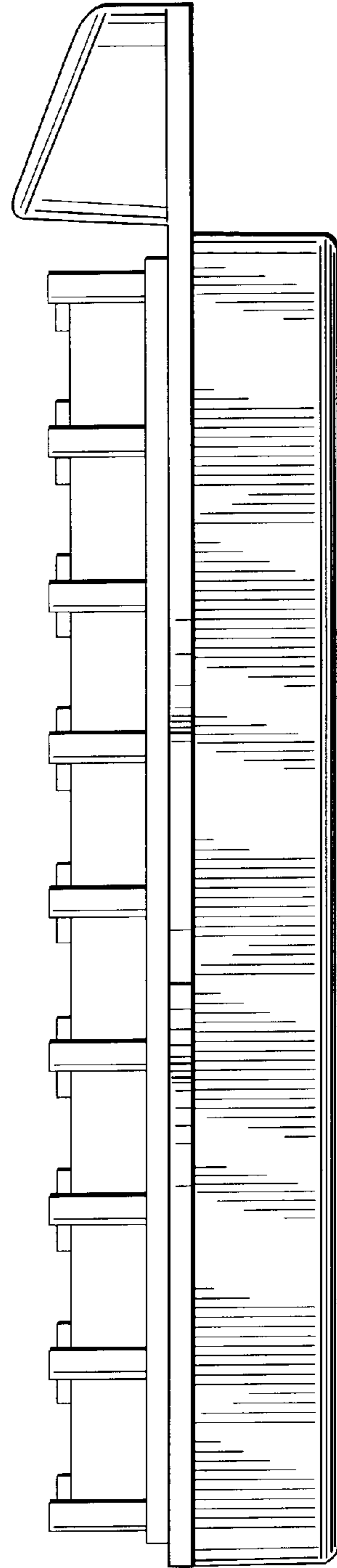


Fig. 8