



US00D433627S

United States Patent [19] Vasudeva

[11] Patent Number: **Des. 433,627**

[45] Date of Patent: **** Nov. 14, 2000**

[54] **BIT AND SOCKET HOLDER**

[75] Inventor: **Kailash C. Vasudeva**, Waterloo, Canada

[73] Assignee: **Maxtech Manufacturing Inc.**, Waterloo, Canada

[**] Term: **14 Years**

[21] Appl. No.: **29/095,553**

[22] Filed: **Oct. 26, 1998**

[51] **LOC (7) Cl.** **09-07**

[52] **U.S. Cl.** **D9/415; D9/423**

[58] **Field of Search** D9/414, 415, 418, D9/420-423, 337; D3/905, 210, 282, 284; 206/461-471, 806, 349, 372-379; 220/339

[56] **References Cited**

U.S. PATENT DOCUMENTS

D. 408,281	4/1999	Chen	D9/415
D. 412,844	8/1999	Kopala et al.	D9/415
D. 413,260	8/1999	Vasudeva	D9/415
D. 418,406	1/2000	Liao	D9/415
4,260,057	4/1981	Wall-Andersen	.	
5,114,007	5/1992	Chen	206/373
5,271,501	12/1993	Chen	206/373
5,803,254	9/1998	Vasudava	206/379 X
5,918,741	7/1999	Vasudeva	206/376
6,039,188	3/2000	Lee	206/376

FOREIGN PATENT DOCUMENTS

76701 6/1995 Taiwan .

OTHER PUBLICATIONS

Techform Inc, Nov. 1982.

Modern Packaging Catalog, Oage 300, Jan. 1941.

Primary Examiner—Prabhakar Deshmukh

Attorney, Agent, or Firm—R. Craig Armstrong

[57] **CLAIM**

The ornamental design for the bit and socket holder, as shown and described.

DESCRIPTION

FIG. 1 is a perspective view of a bit and socket holder showing my new design;

FIG. 2 is a perspective view thereof; with the cover in an open position;

FIG. 3 is a front elevational view thereof;

FIG. 4 is a left side elevational view thereof;

FIG. 5 is a top plan view thereof;

FIG. 6 is a right side elevational view thereof;

FIG. 7 is a bottom plan view thereof;

FIG. 8 is a rear elevational view thereof;

FIG. 9 is a front elevational view of FIG. 2;

FIG. 10 is a perspective view of a second embodiment of a bit socket holder;

FIG. 11 is a perspective view of FIG. 10, with the cover in an open position;

FIG. 12 is a front elevational view of FIG. 10;

FIG. 13 is a left side elevational view of FIG. 10;

FIG. 14 is a top plan view of FIG. 10;

FIG. 15 is a right side elevational view of FIG. 10;

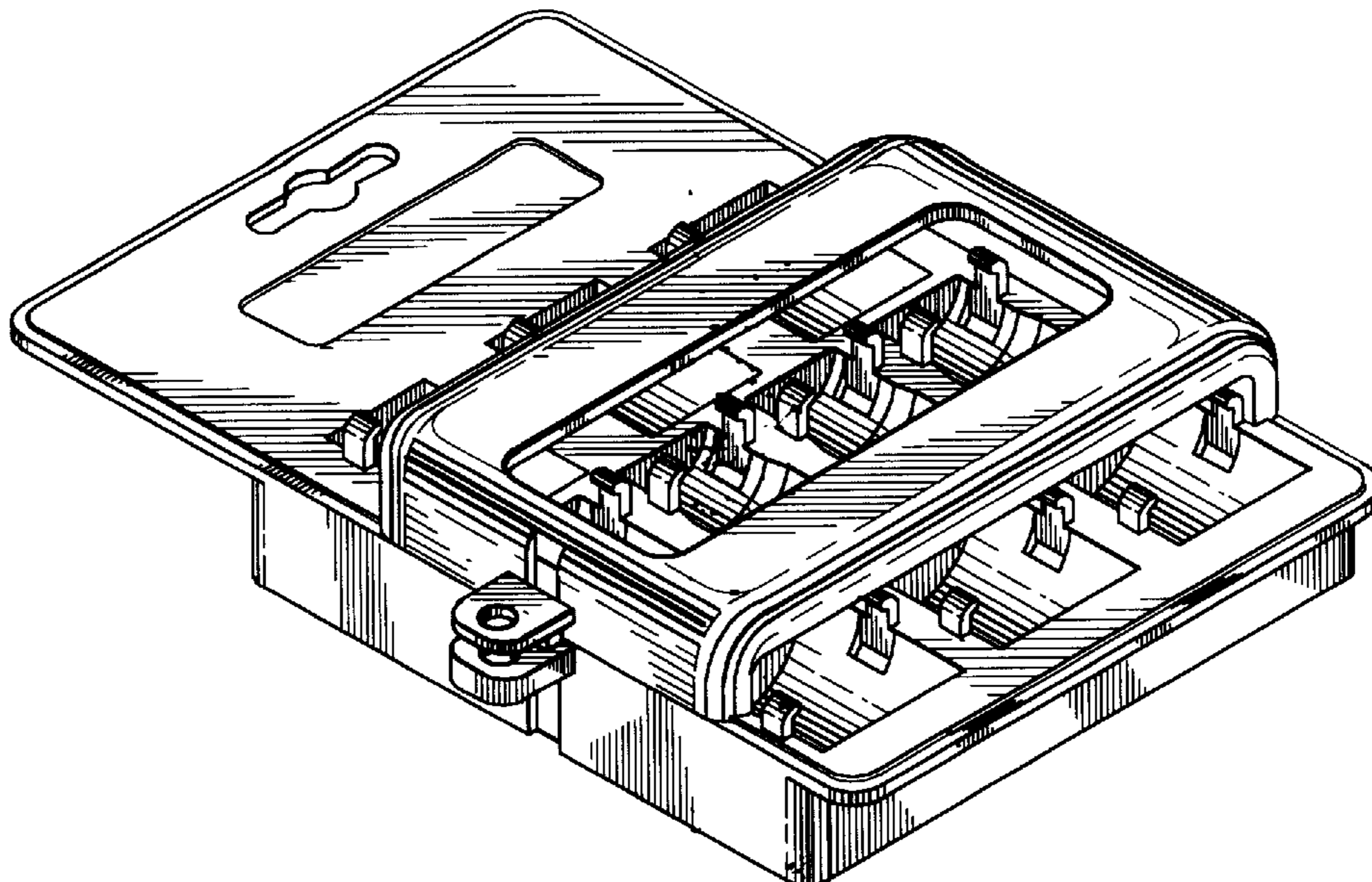
FIG. 16 is a bottom plan view of FIG. 10;

FIG. 17 is a rear elevational view of FIG. 10; and,

FIG. 18 is a front elevational view of FIG. 11.

The broken lines showing of tool components are for illustrative purpose only and forms no part of the claimed design.

1 Claim, 6 Drawing Sheets



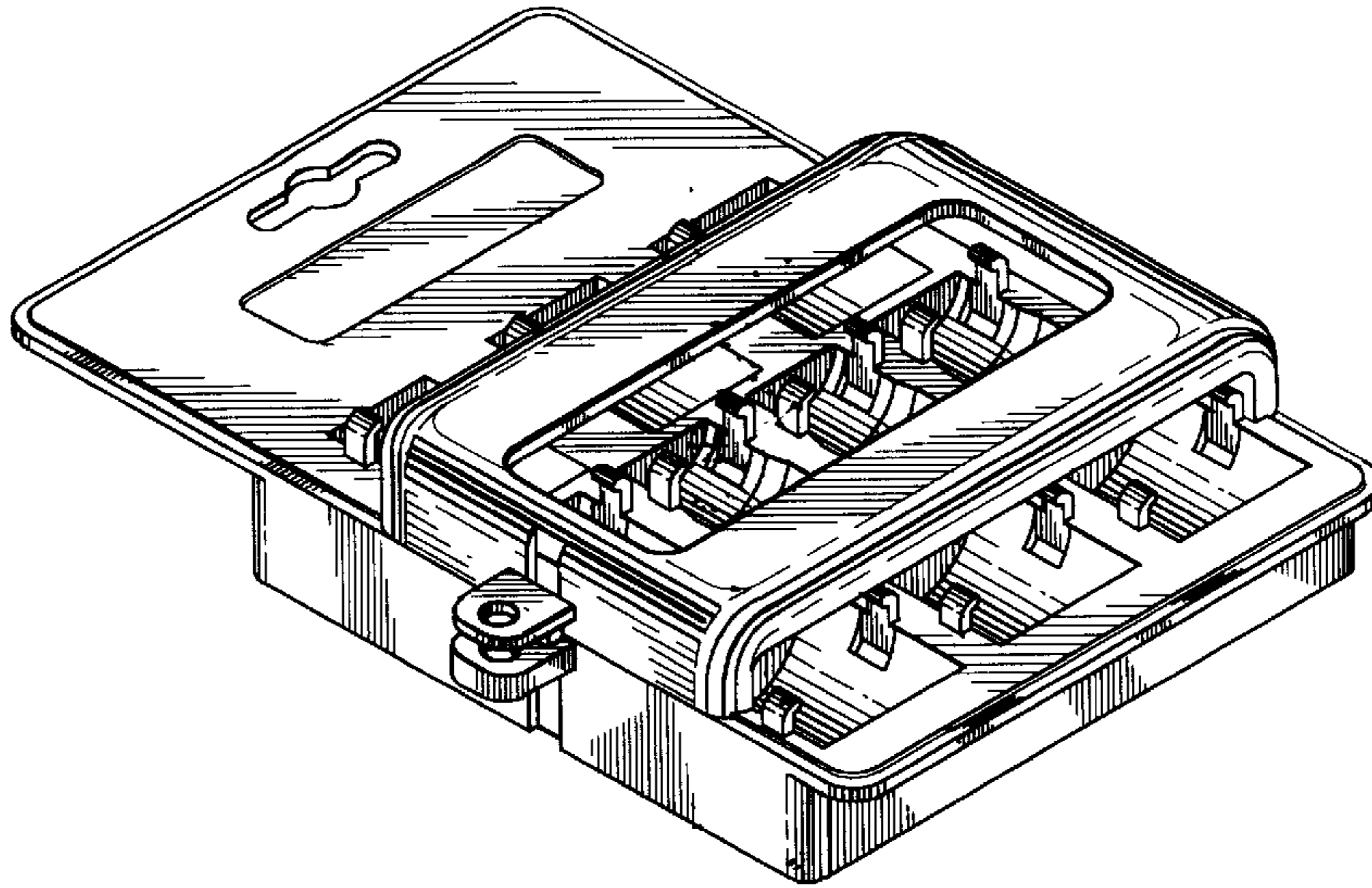


FIG. 1

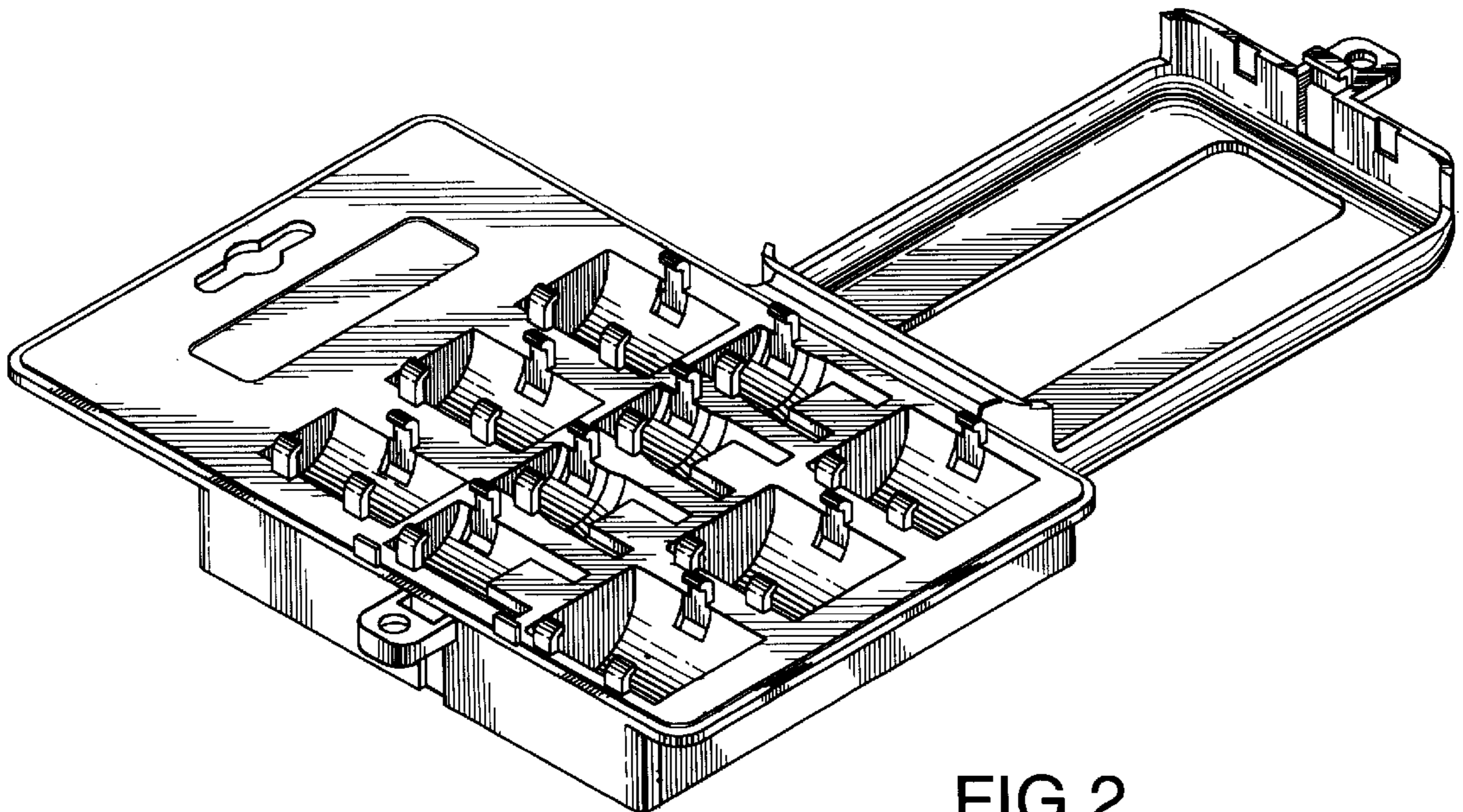


FIG. 2

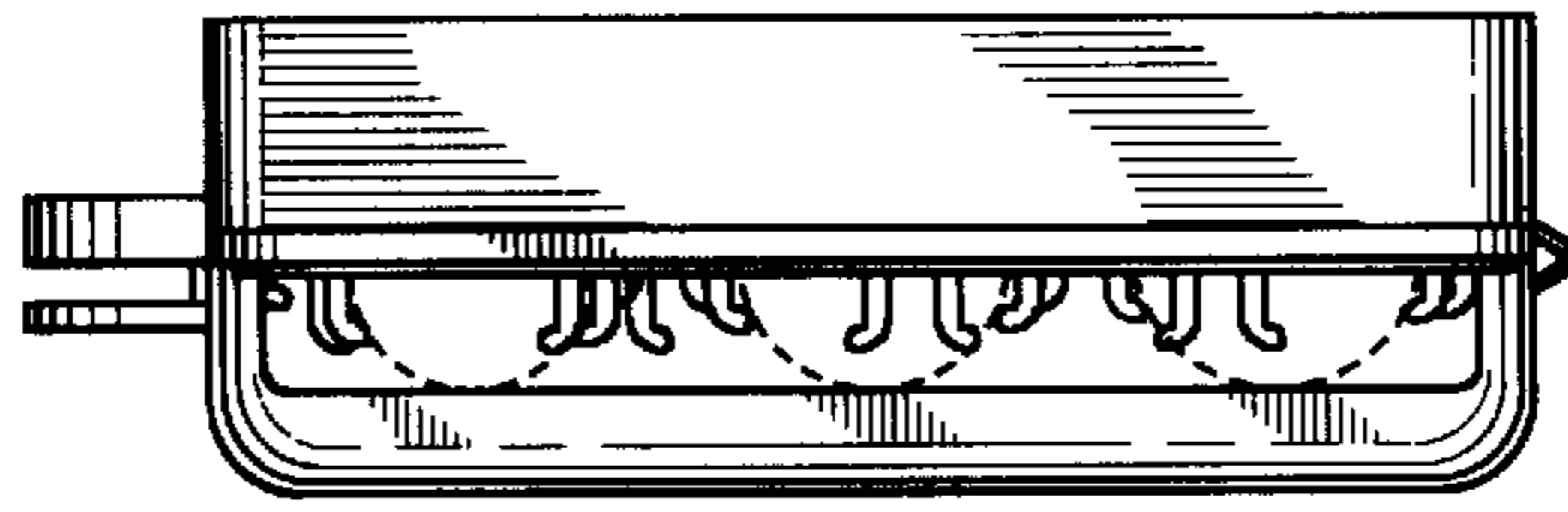


FIG. 5

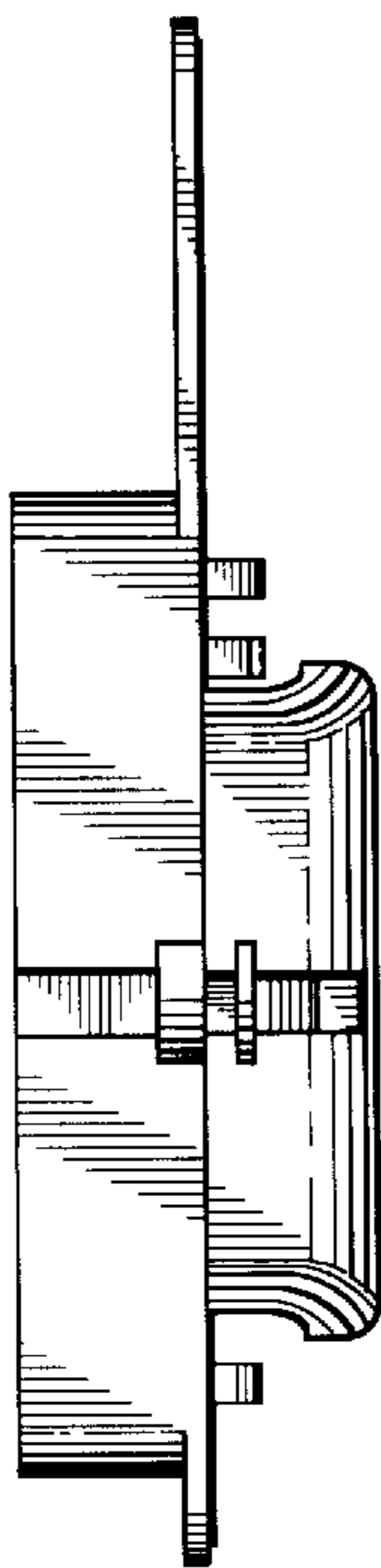


FIG. 4

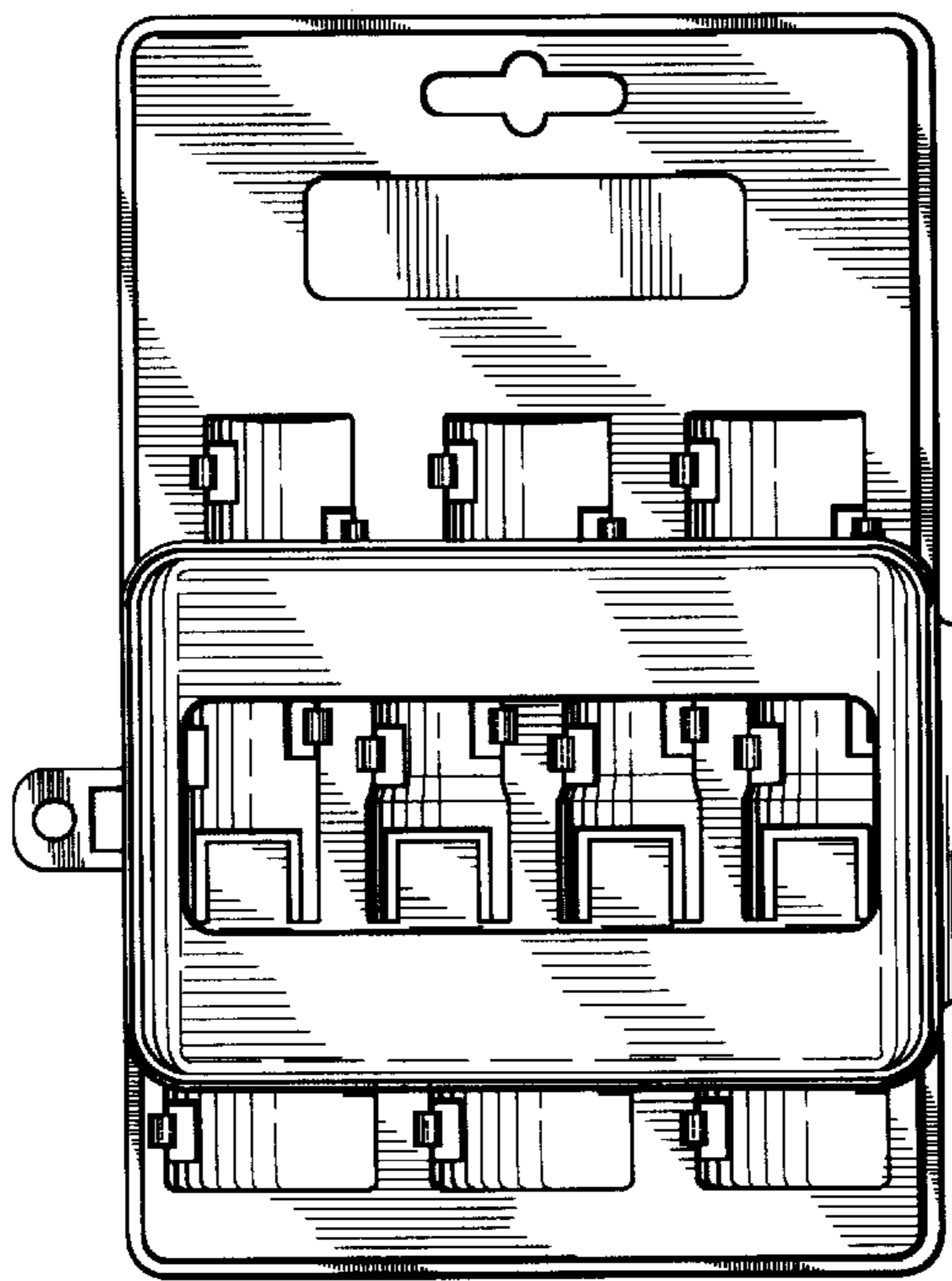


FIG. 3

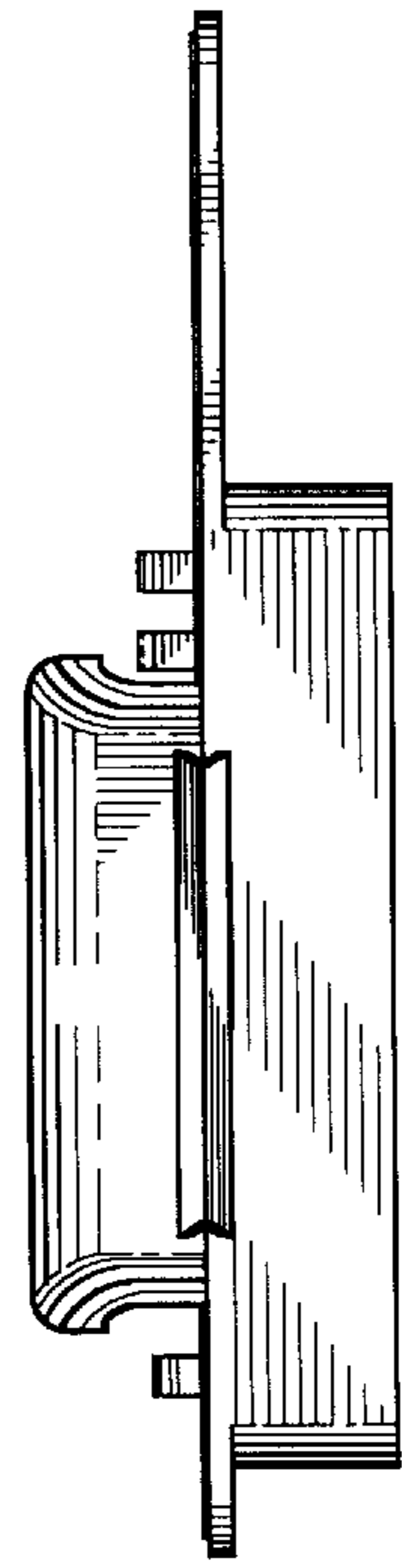


FIG. 6

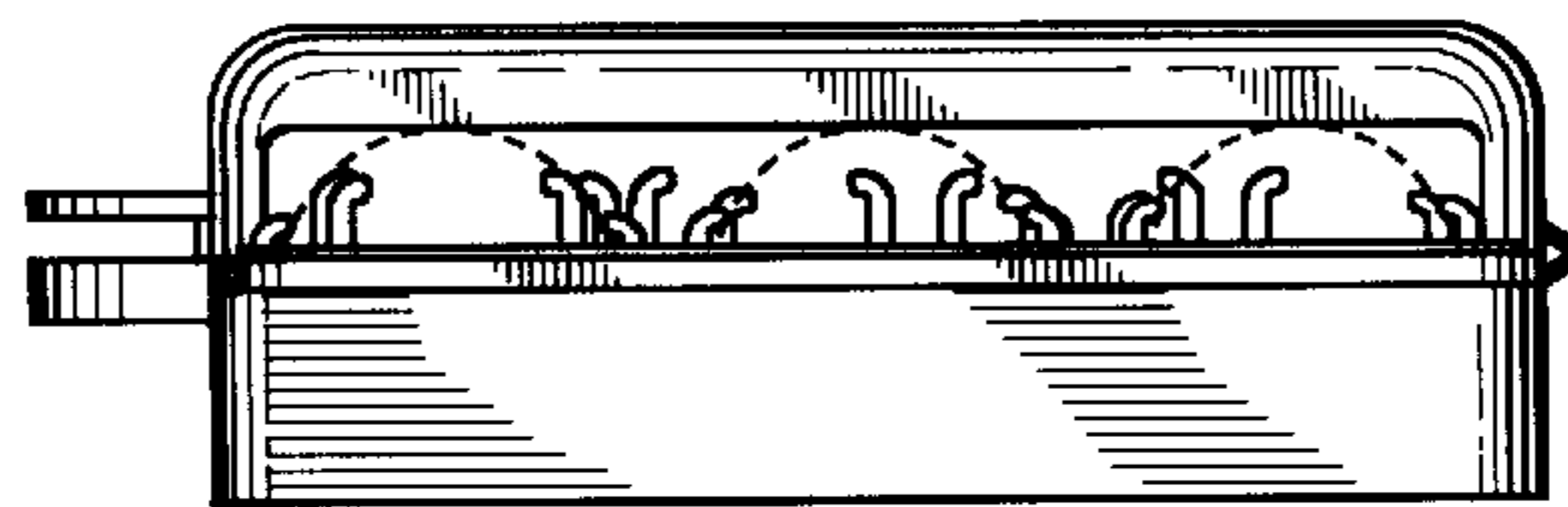


FIG. 7

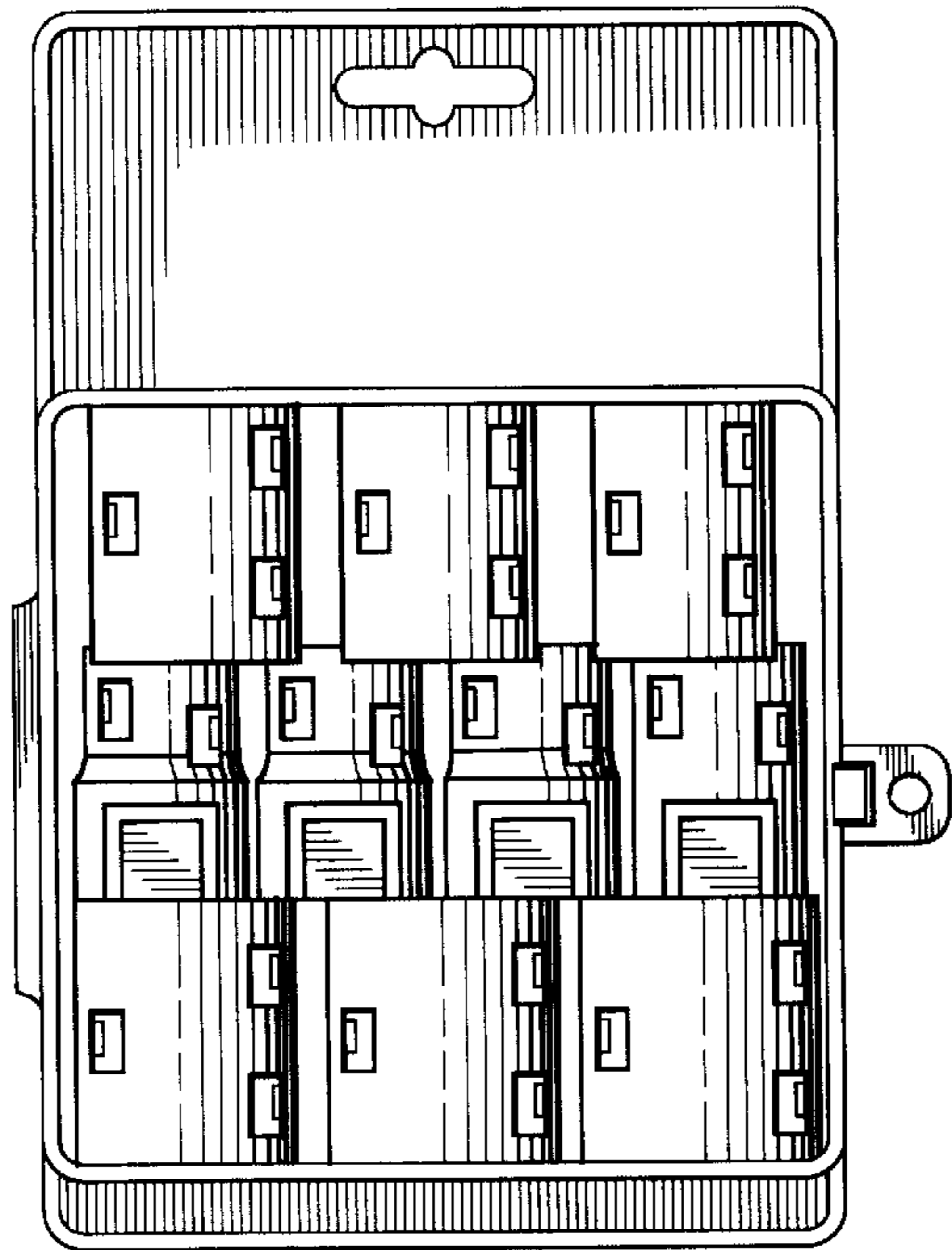


FIG. 8

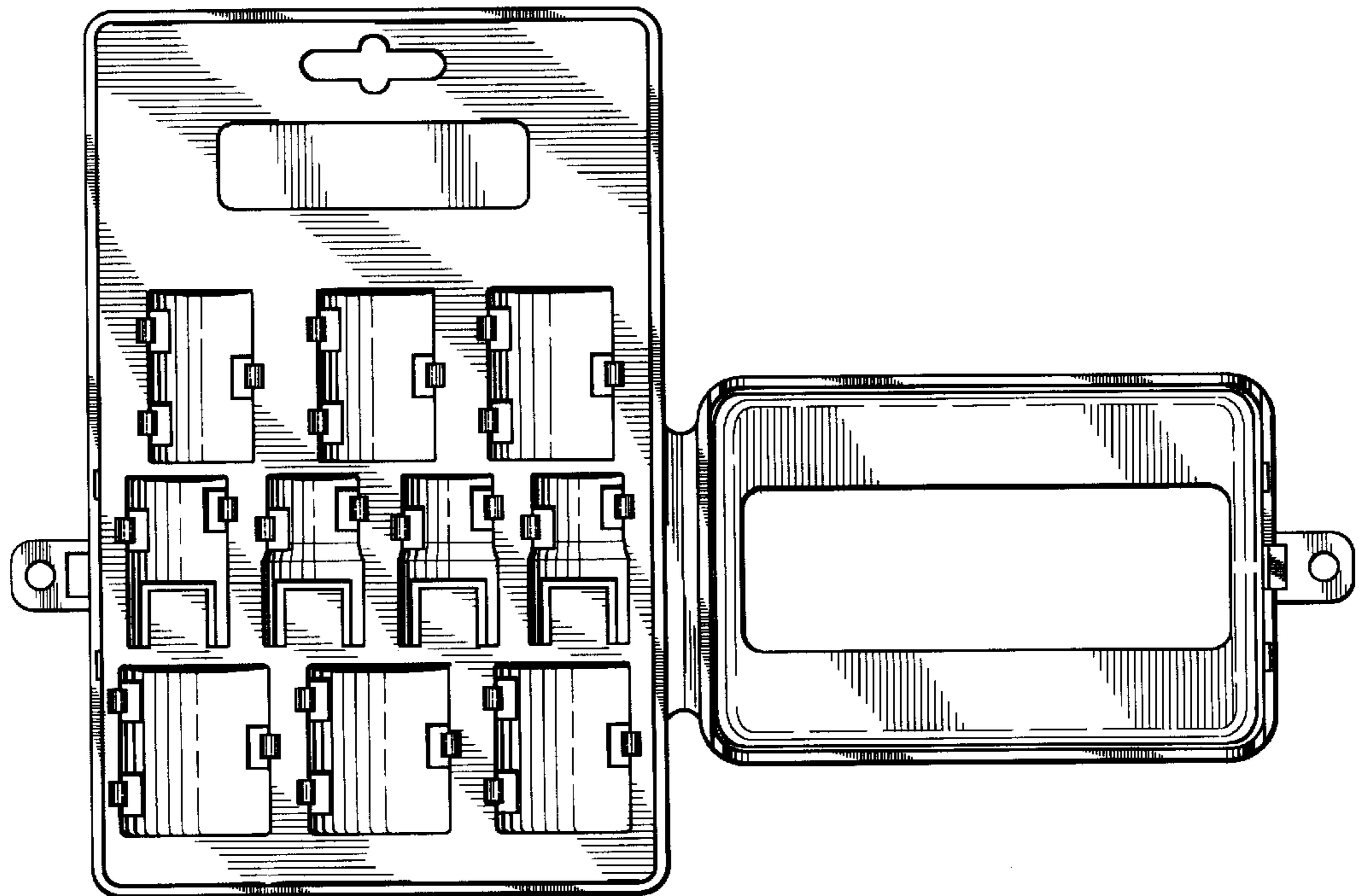


FIG. 9

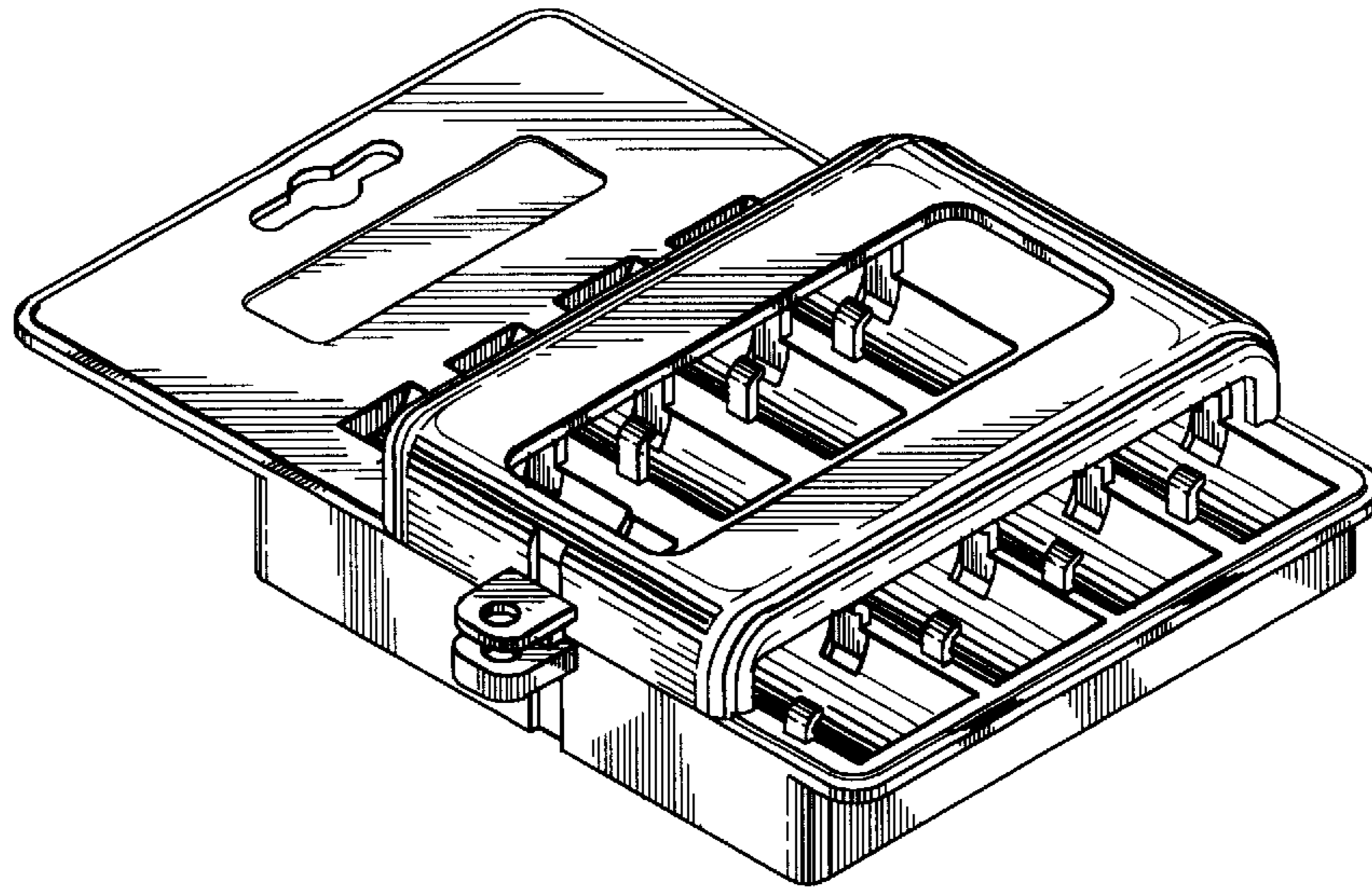


FIG. 10

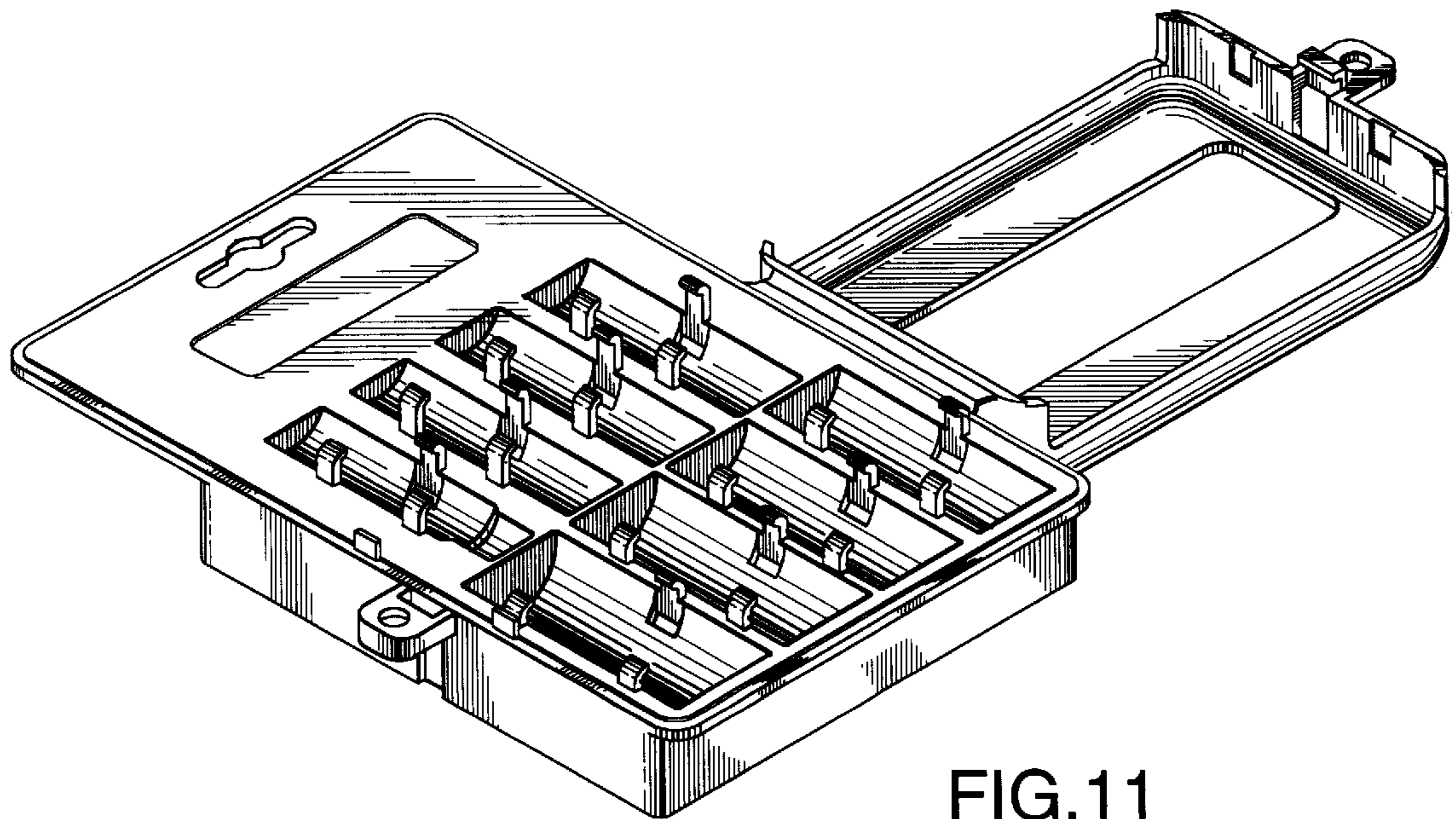


FIG. 11

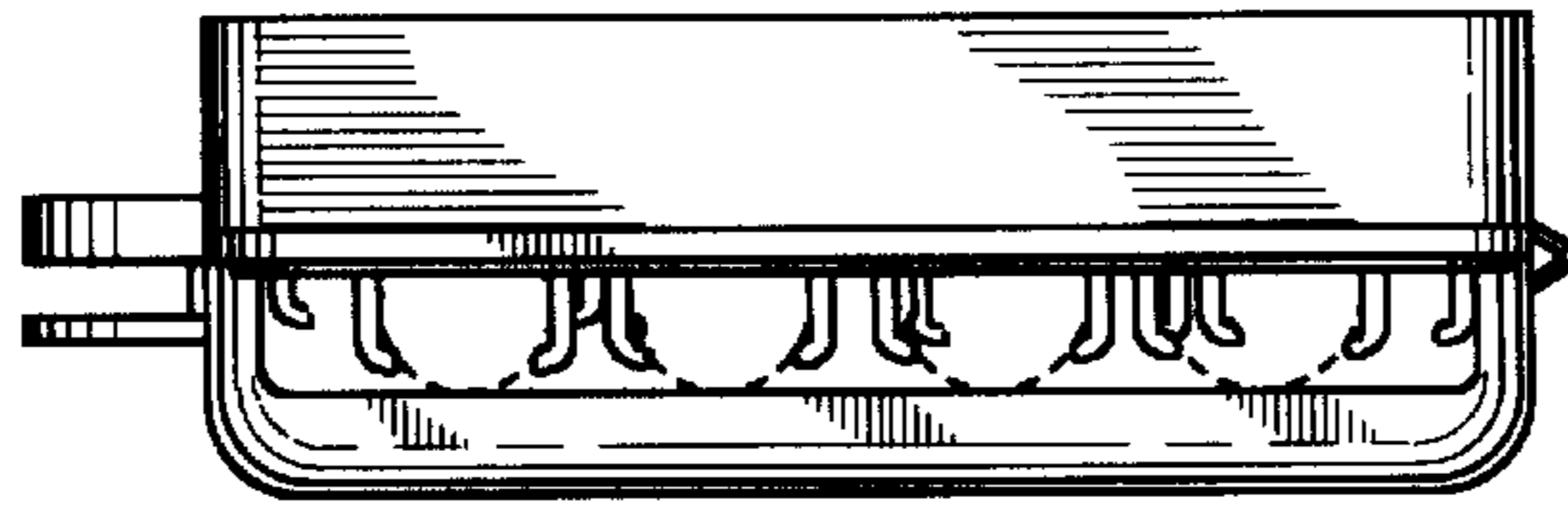


FIG.14

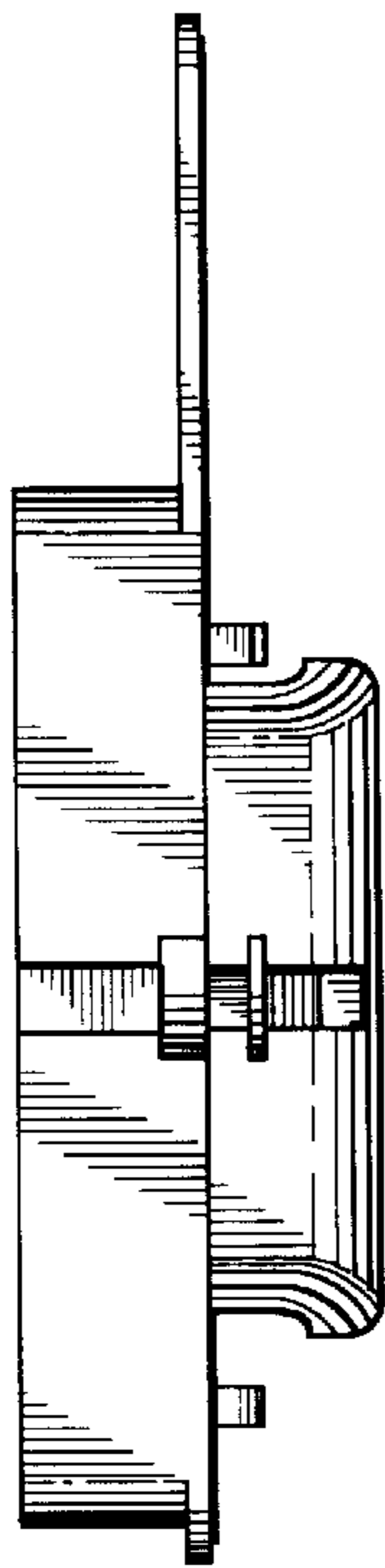


FIG.13

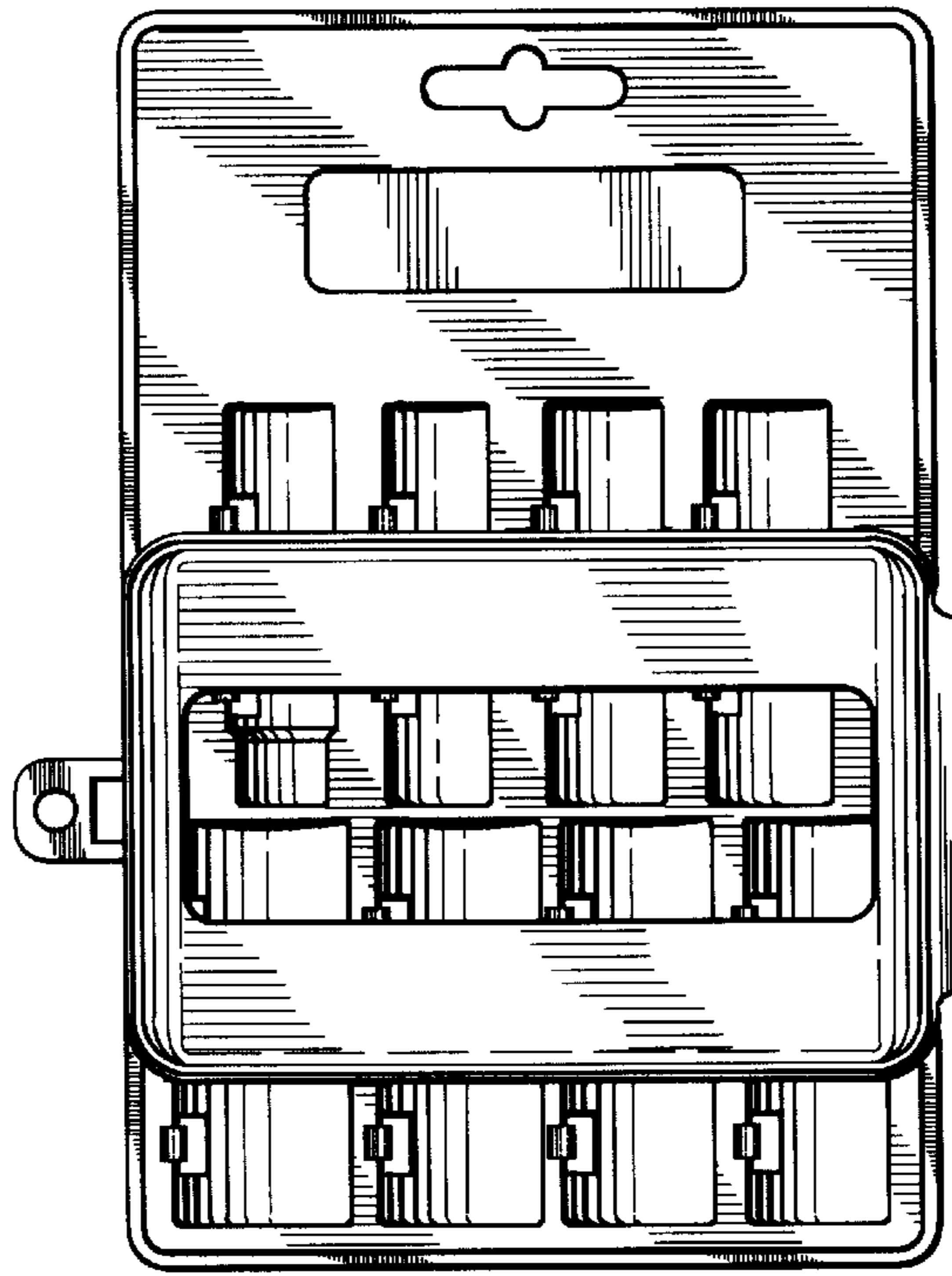


FIG.12

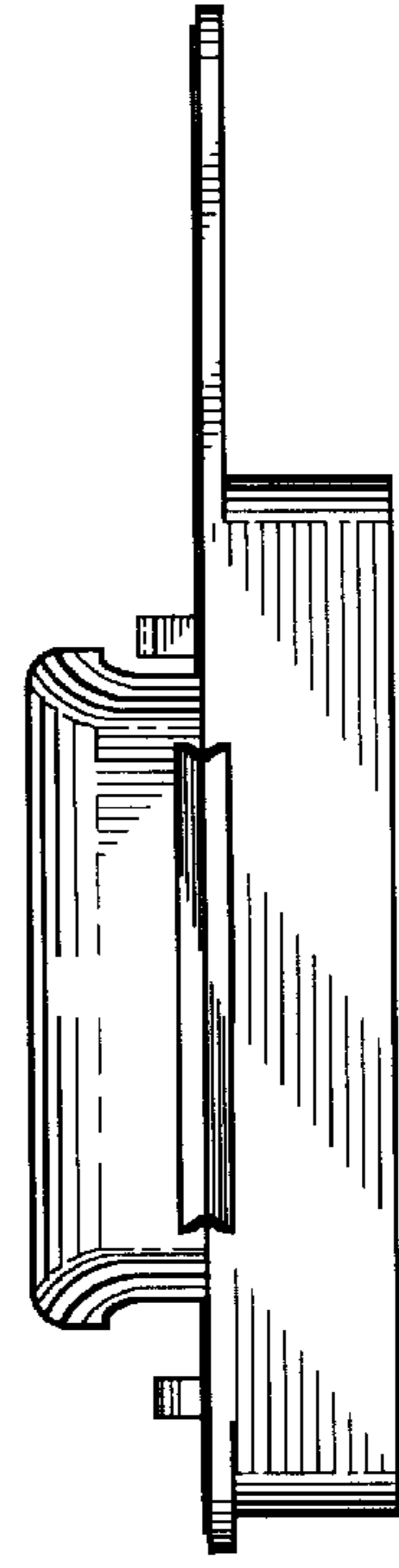


FIG.15

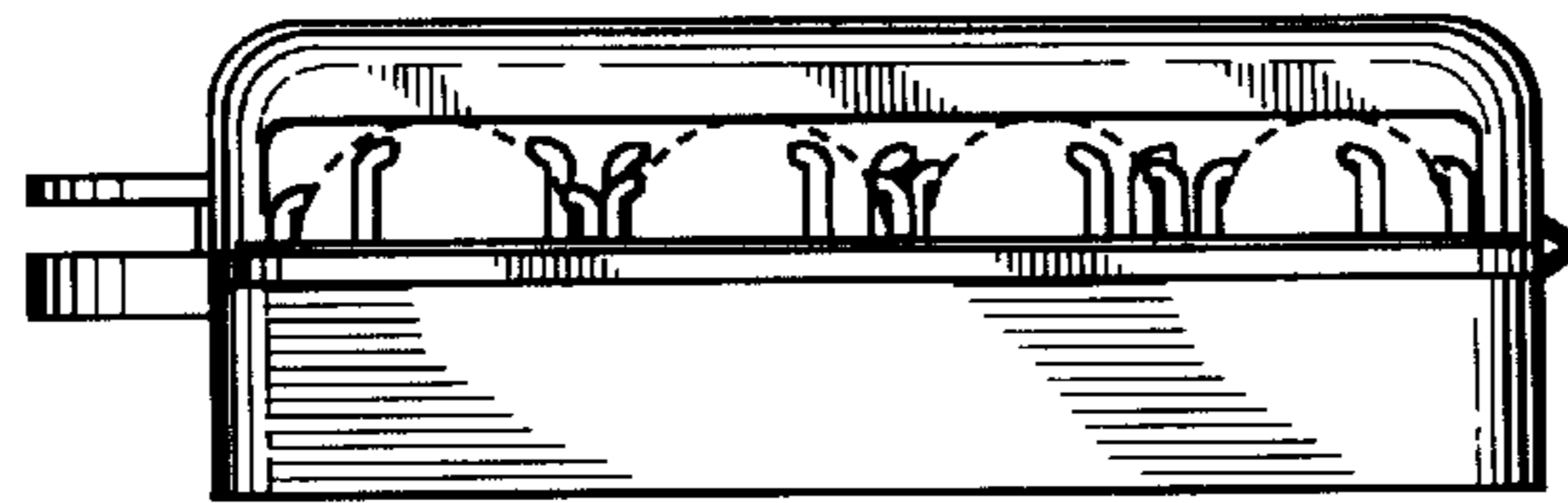


FIG.16

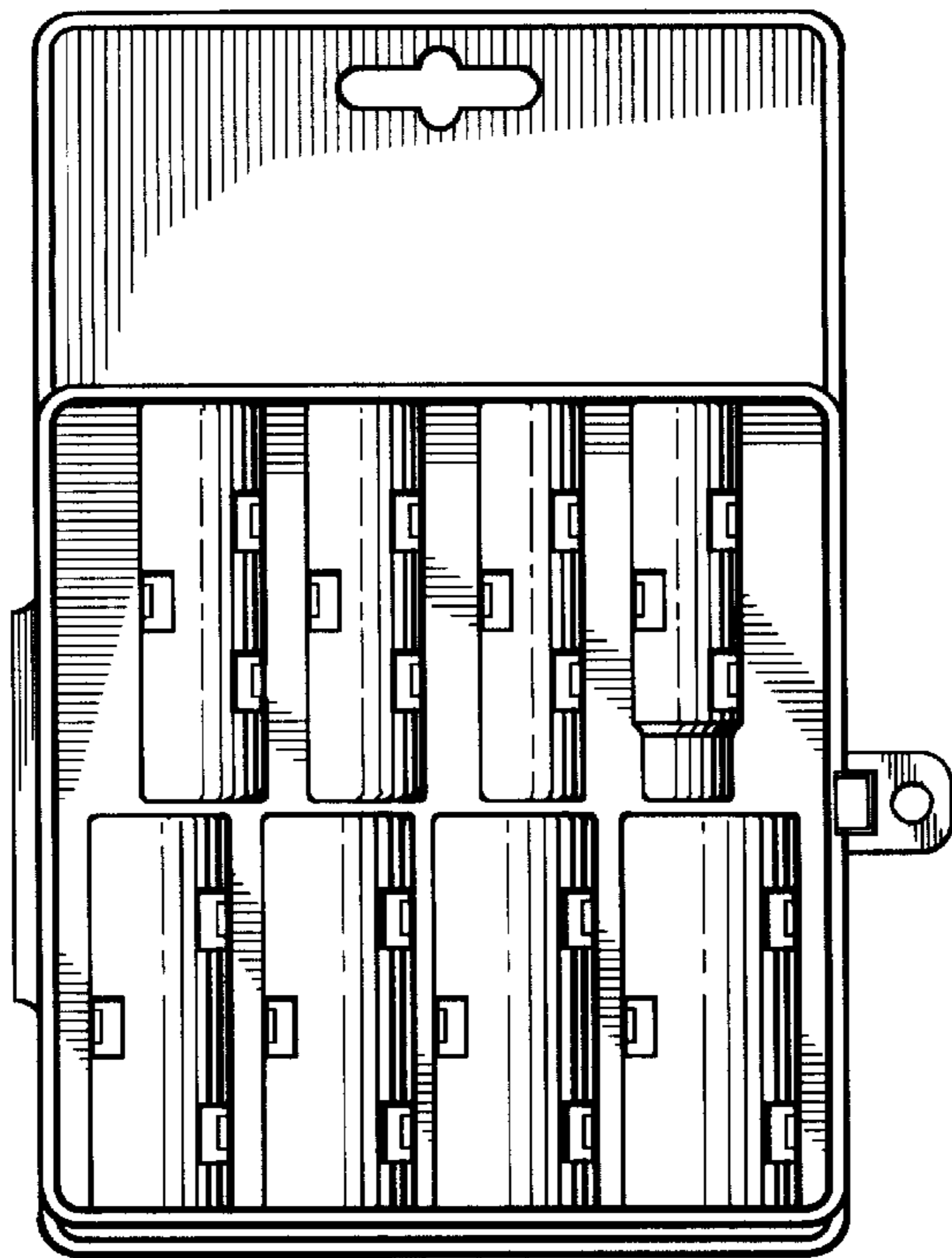


FIG. 17

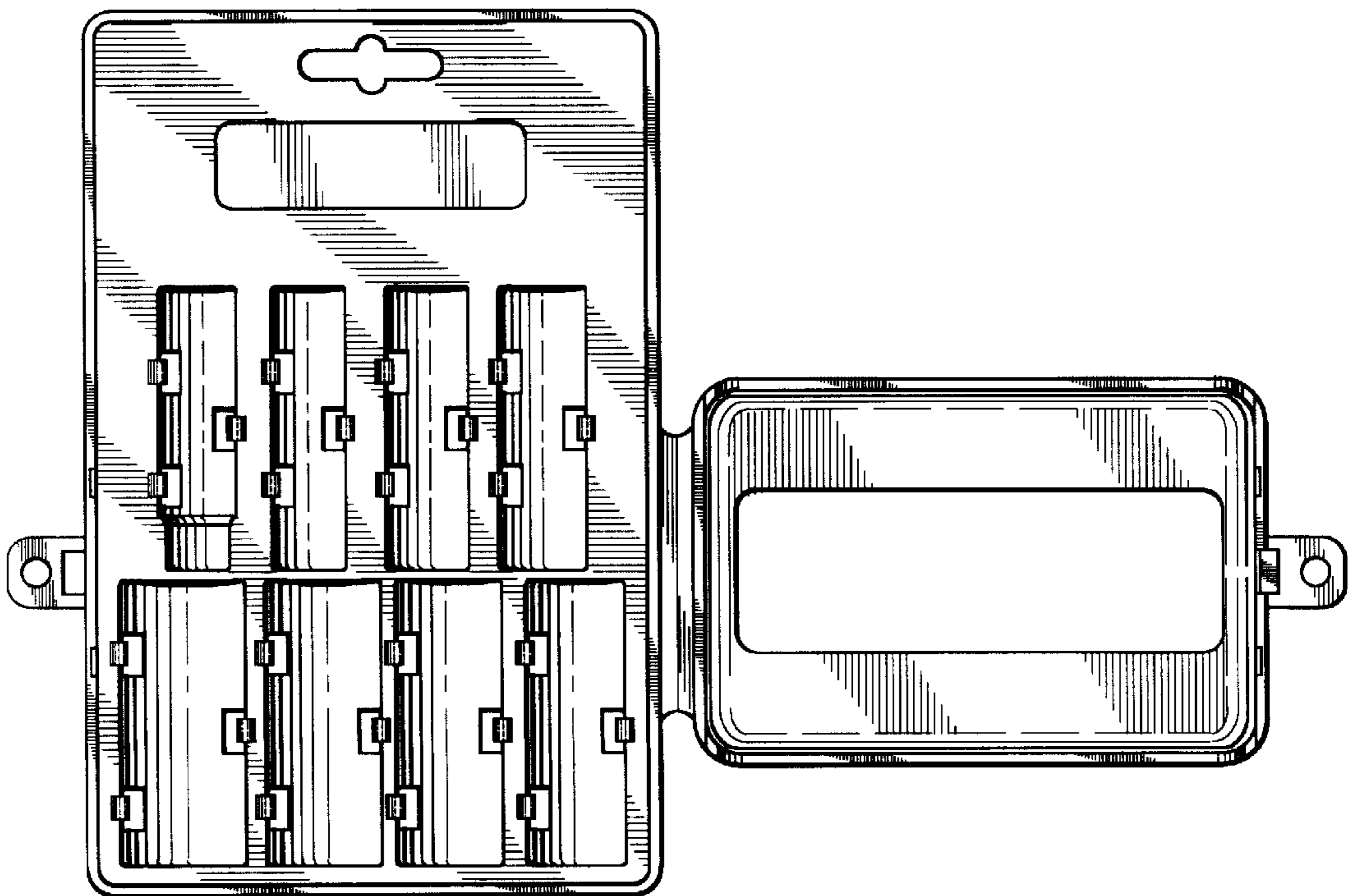


FIG. 18