



US00D433626S

United States Patent [19] Humphrey

[11] Patent Number: **Des. 433,626**

[45] Date of Patent: **** Nov. 14, 2000**

[54] PACKAGE

[75] Inventor: **Neill W. Humphrey**, El Dorado Hills, Calif.

[73] Assignee: **Trade Source International**, El Dorado Hills, Calif.

[**] Term: **14 Years**

[21] Appl. No.: **29/094,860**

[22] Filed: **Oct. 13, 1998**

Related U.S. Application Data

[62] Division of application No. 29/078,143, Oct. 20, 1997, Pat. No. Des. 414,108.

[51] LOC (7) Cl. **09-07**

[52] U.S. Cl. **D9/415**

[58] Field of Search D9/414, 415, 418, D9/424, 425, 428, 429, 337; 206/742, 765, 303, 461-471, 495, 806; 220/4.24, 4.25

[56] References Cited

U.S. PATENT DOCUMENTS

D. 190,394 5/1961 Robinson D9/415 X
D. 350,693 9/1994 Pratt D9/415

D. 371,071 6/1996 Ford D9/415
D. 394,384 5/1998 Humphrey D9/418
3,758,312 9/1973 Peters 206/471 X
4,453,629 6/1984 Goldberg 206/471 X
4,702,368 10/1987 Jones 206/461 X
5,325,961 7/1994 Ford et al. 206/471 X
5,813,546 9/1998 Wilson et al. 206/471 X

OTHER PUBLICATIONS

Techform Inc., Nov. 1982.
Modern Packaging, p. 334, 1963.

Primary Examiner—Prabhakar Deshmukh
Attorney, Agent, or Firm—Oppenheimer Wolff & Donnelly LLP

[57] CLAIM

The ornamental design for a package, as shown and described.

DESCRIPTION

FIG. 1 is a perspective view of a package showing my new design;
FIG. 2 is a left side elevational view thereof; the right side elevational view being a mirror image thereof;
FIG. 3 is a top plan view thereof; and,
FIG. 4 is a bottom plan view thereof.

1 Claim, 1 Drawing Sheet

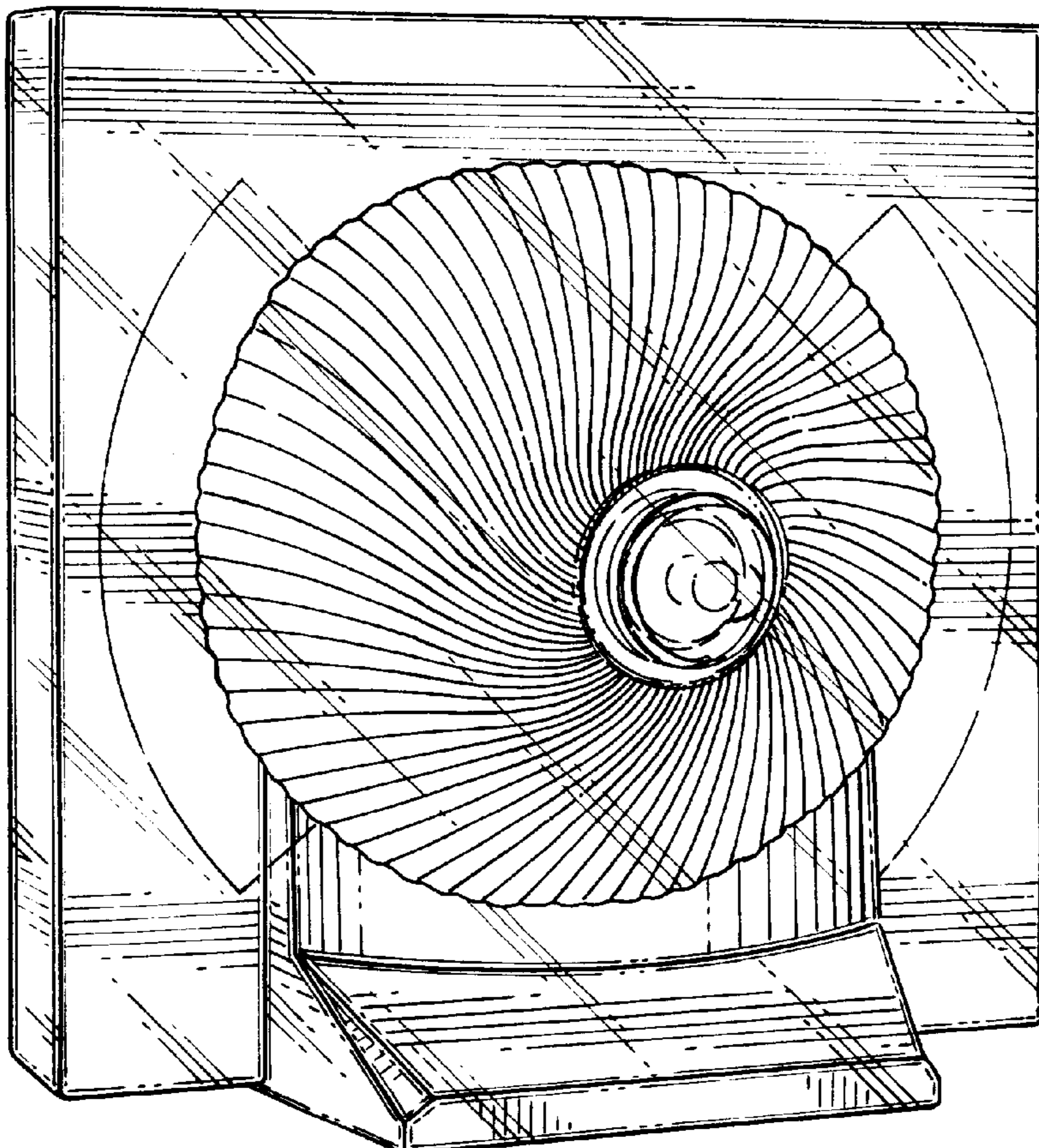


FIG. 1.

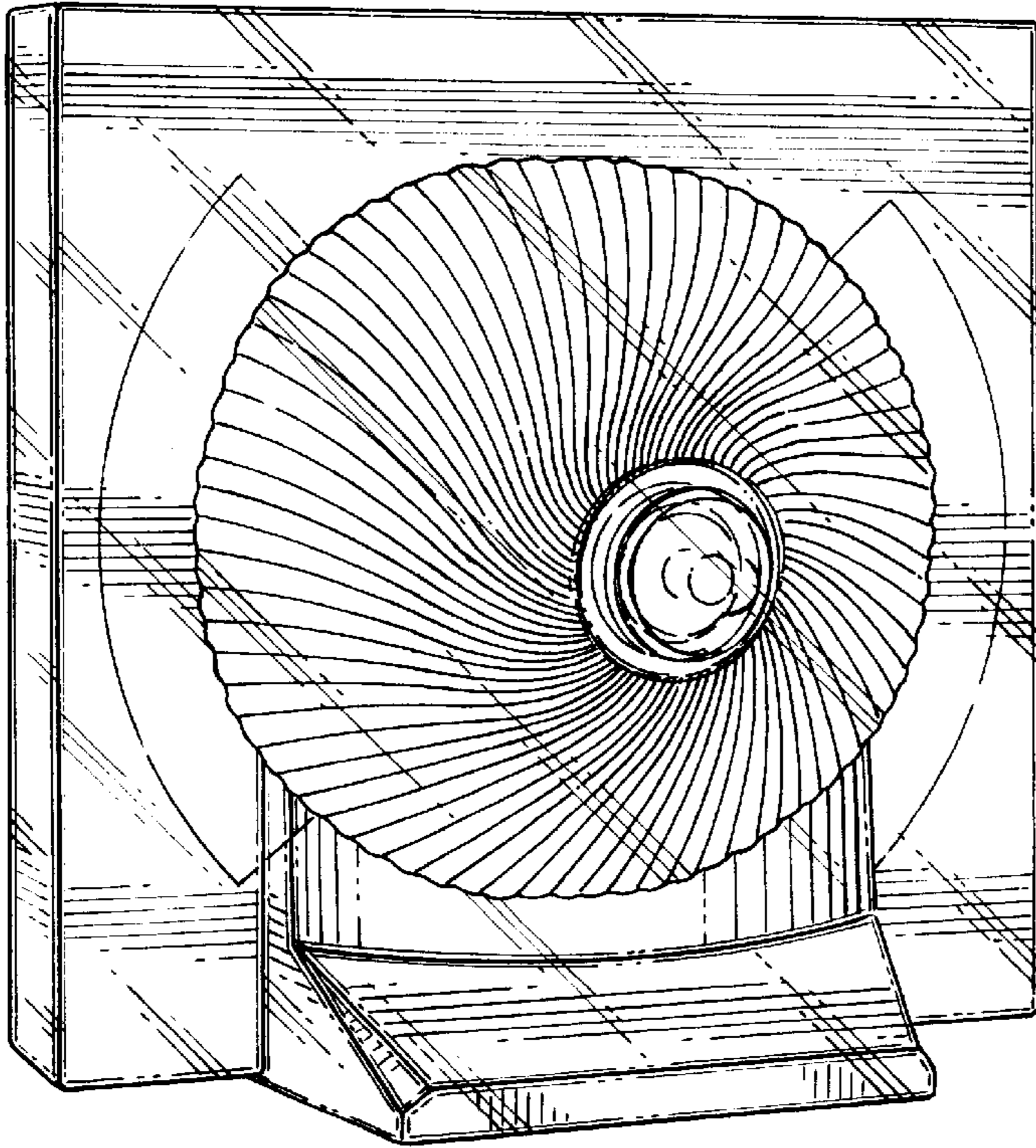


FIG. 2.

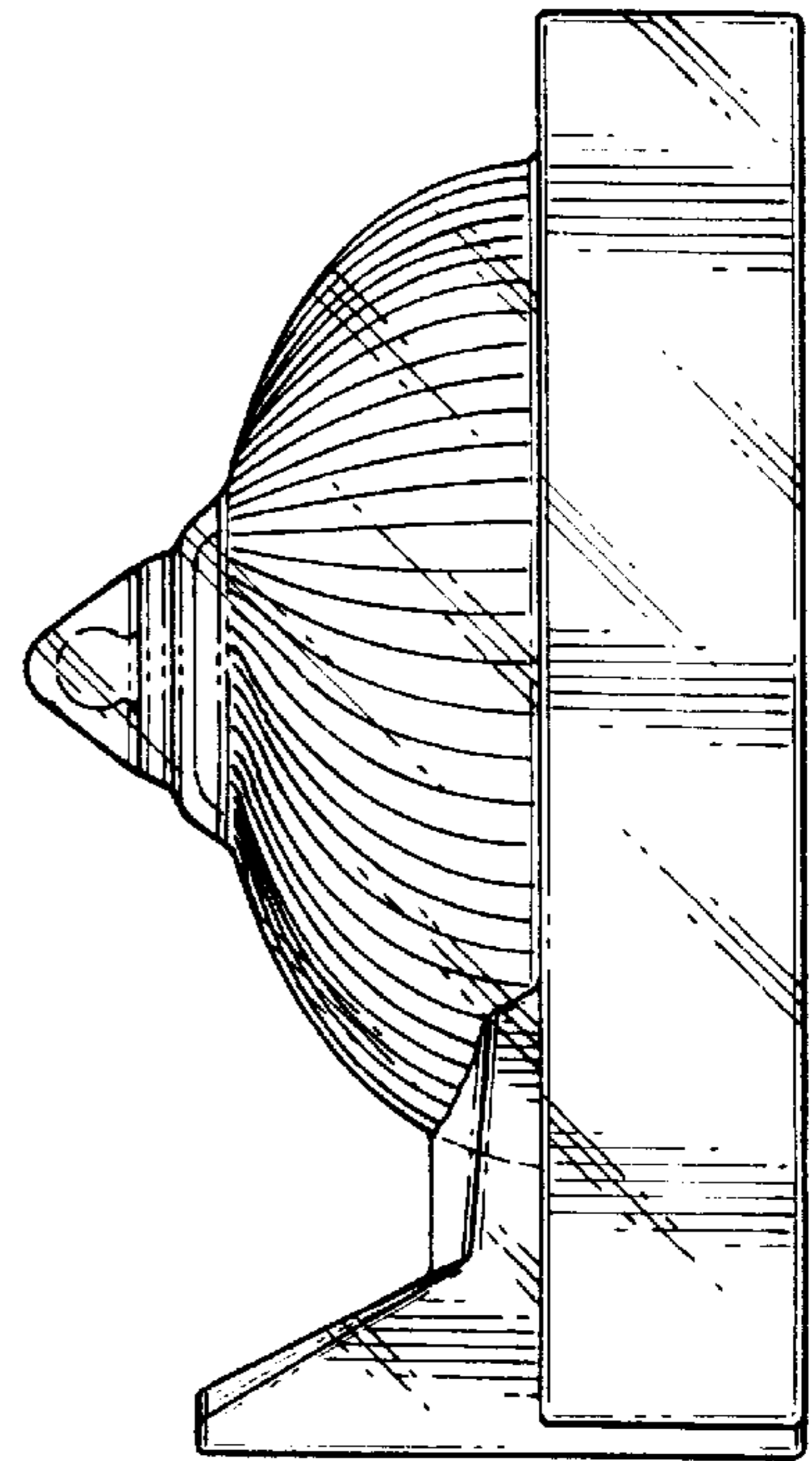


FIG. 3.

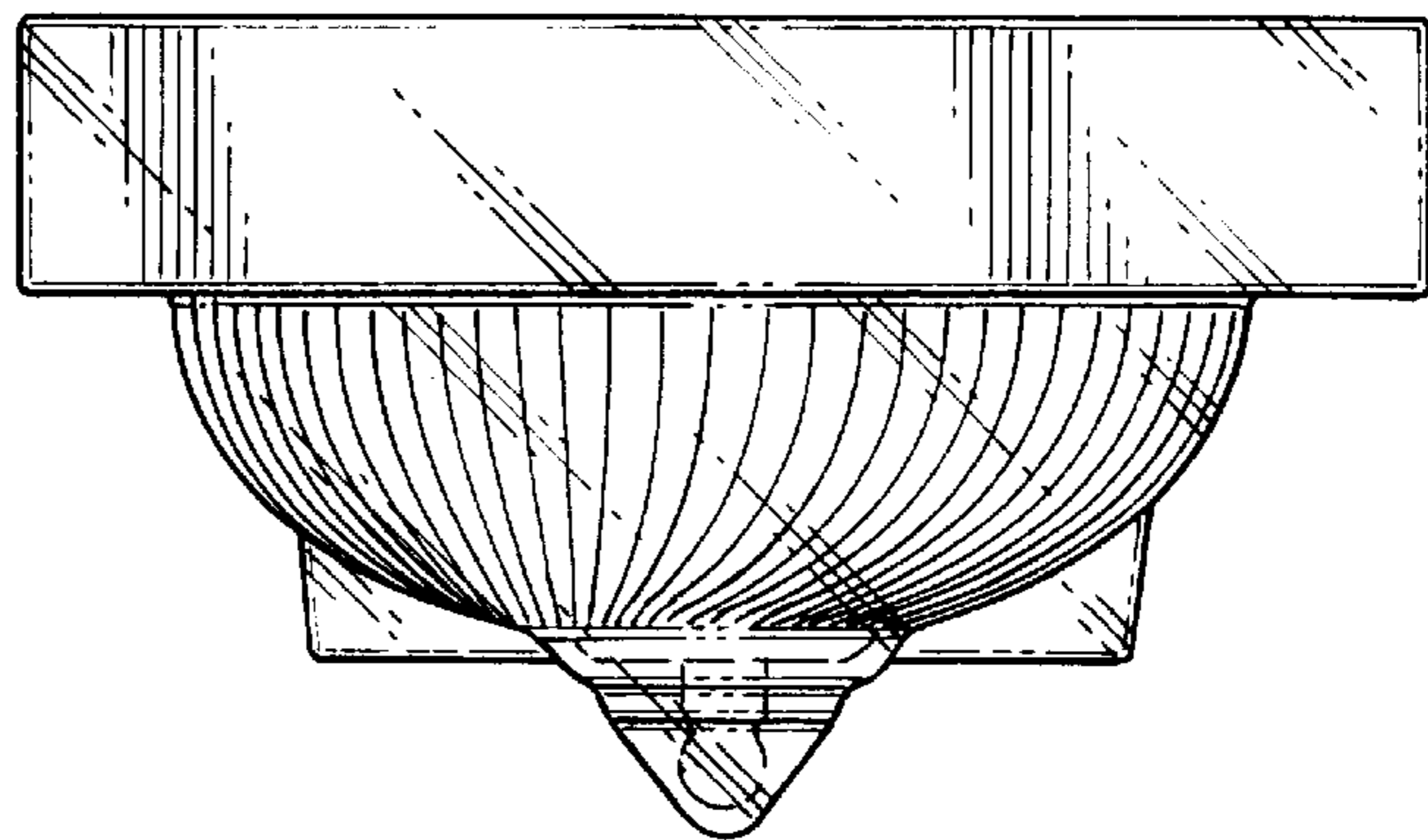


FIG. 4.

