



US00D433620S

United States Patent [19]

Xu et al.

[11] Patent Number: **Des. 433,620**

[45] Date of Patent: **** Nov. 14, 2000**

- [54] **FINIAL**
- [75] Inventors: **Zhiwei Xu; Brian Graves**, both of San Diego, Calif.
- [73] Assignee: **Beme International LLC**, San Diego, Calif.
- [**] Term: **14 Years**
- [21] Appl. No.: **29/114,063**
- [22] Filed: **Nov. 17, 1999**
- [51] **LOC (7) Cl.** **08-05**
- [52] **U.S. Cl.** **D8/378**
- [58] **Field of Search** D8/378; D26/154; 428/28

D. 340,404 10/1993 Prezner D8/378

Primary Examiner—Holly Baynham
Attorney, Agent, or Firm—Dobrusin Darden Thennisch & Lorenz PLLC

[57] CLAIM

The ornamental design for a finial, as shown.

DESCRIPTION

FIG. 1 shows a perspective view of a finial incorporating the design.

FIG. 2 shows a bottom plan view of the finial shown in FIG. 1, the top plan view being identical to the bottom plan view.

FIG. 3 shows a left side elevational view of the finial shown in FIG. 1.

FIG. 4 shows a front elevational view of the finial shown in FIG. 1; and,

FIG. 5 shows a right side elevational view of the finial shown in FIG. 1.

- [56] **References Cited**
- U.S. PATENT DOCUMENTS
- D. 74,964 4/1928 Crawford D8/378

1 Claim, 2 Drawing Sheets

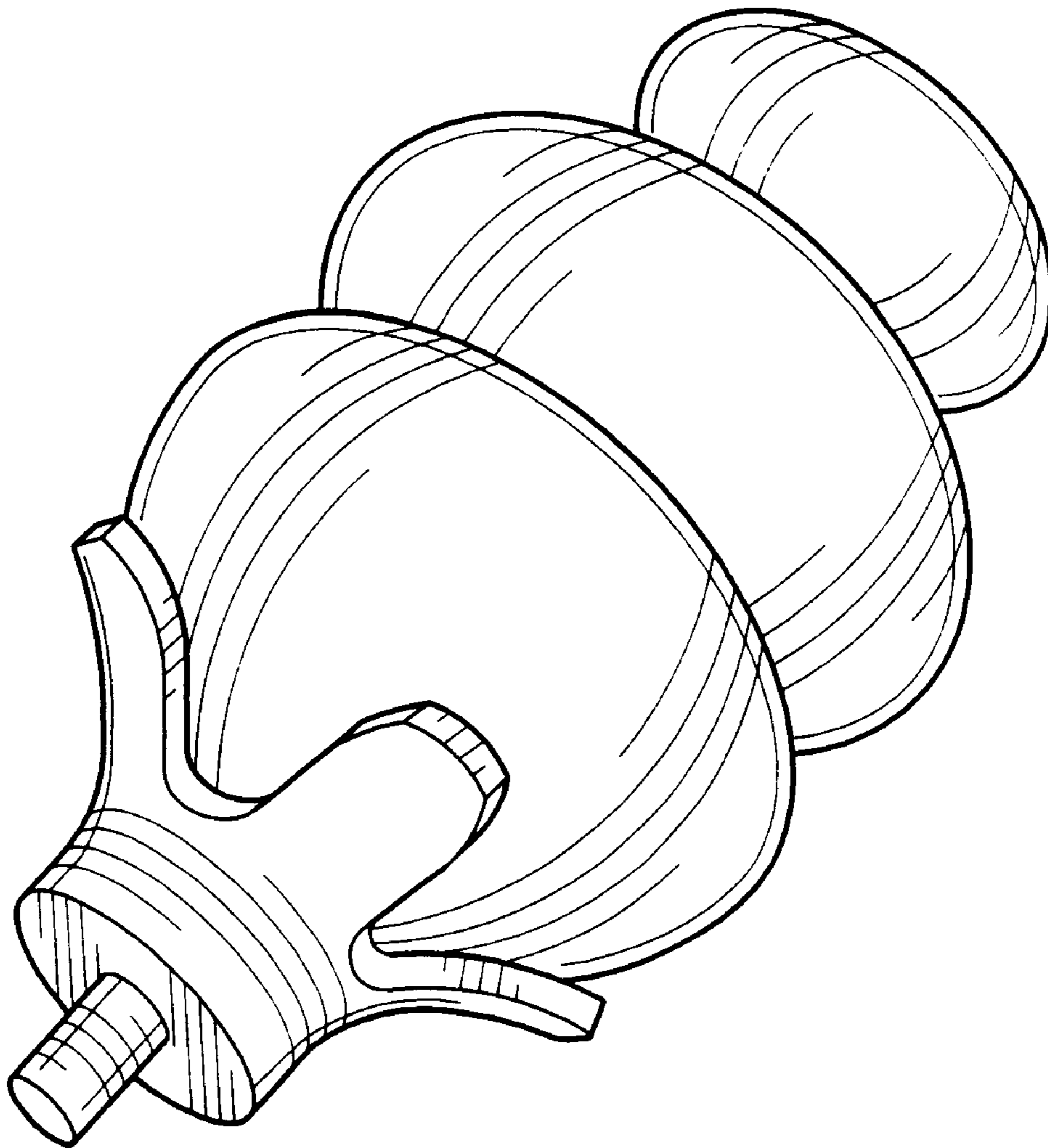


Fig-1

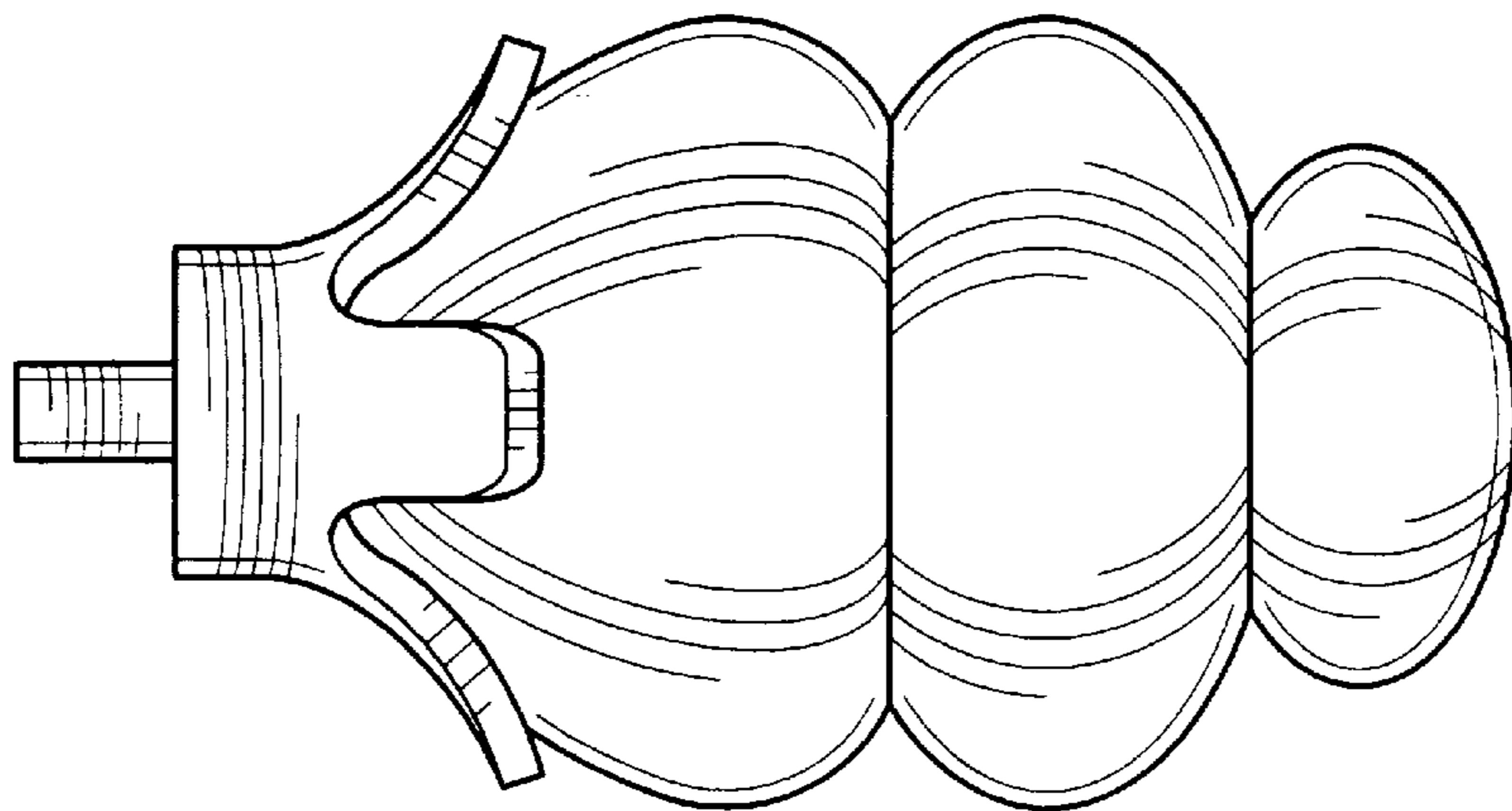
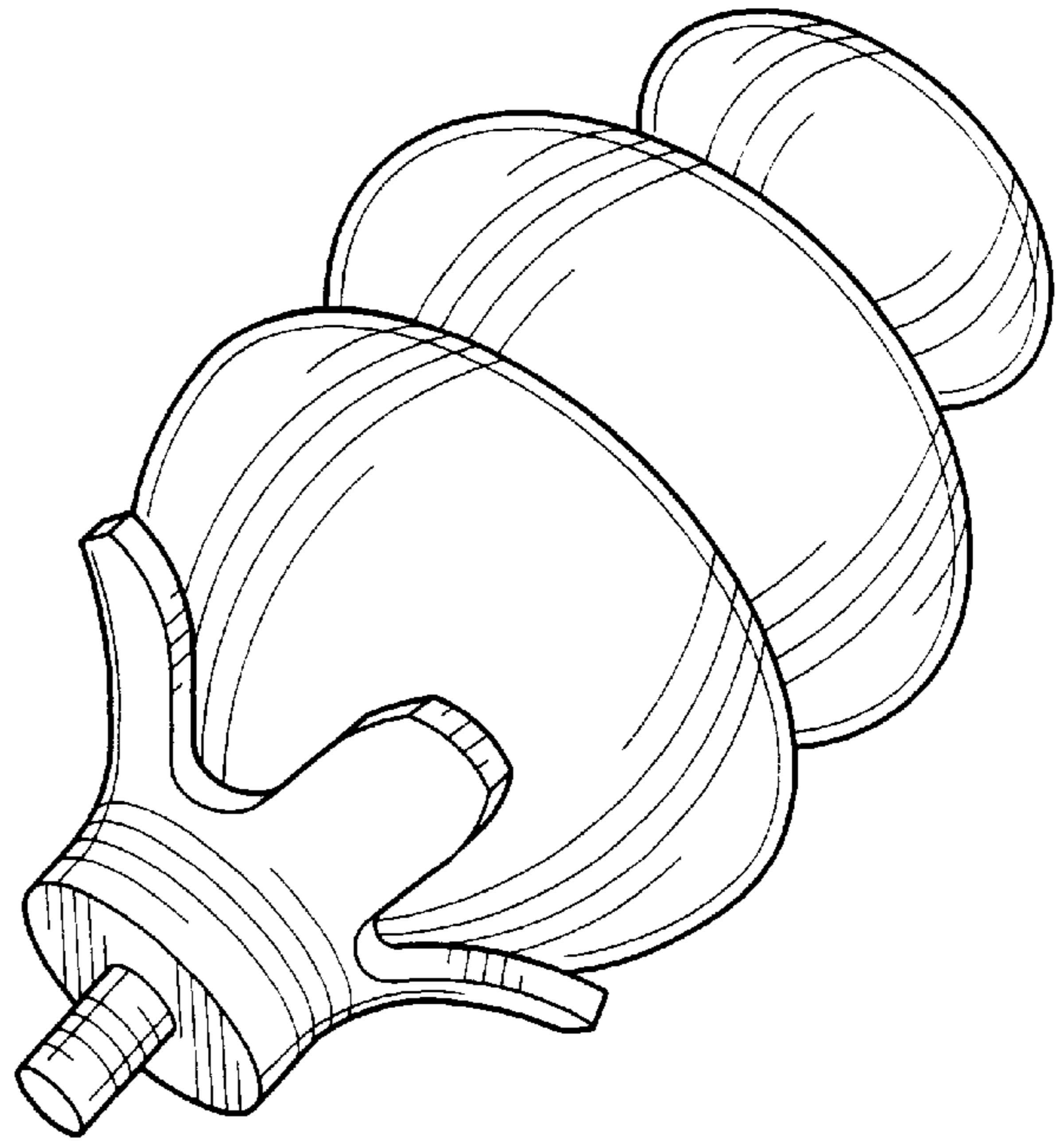


Fig-2

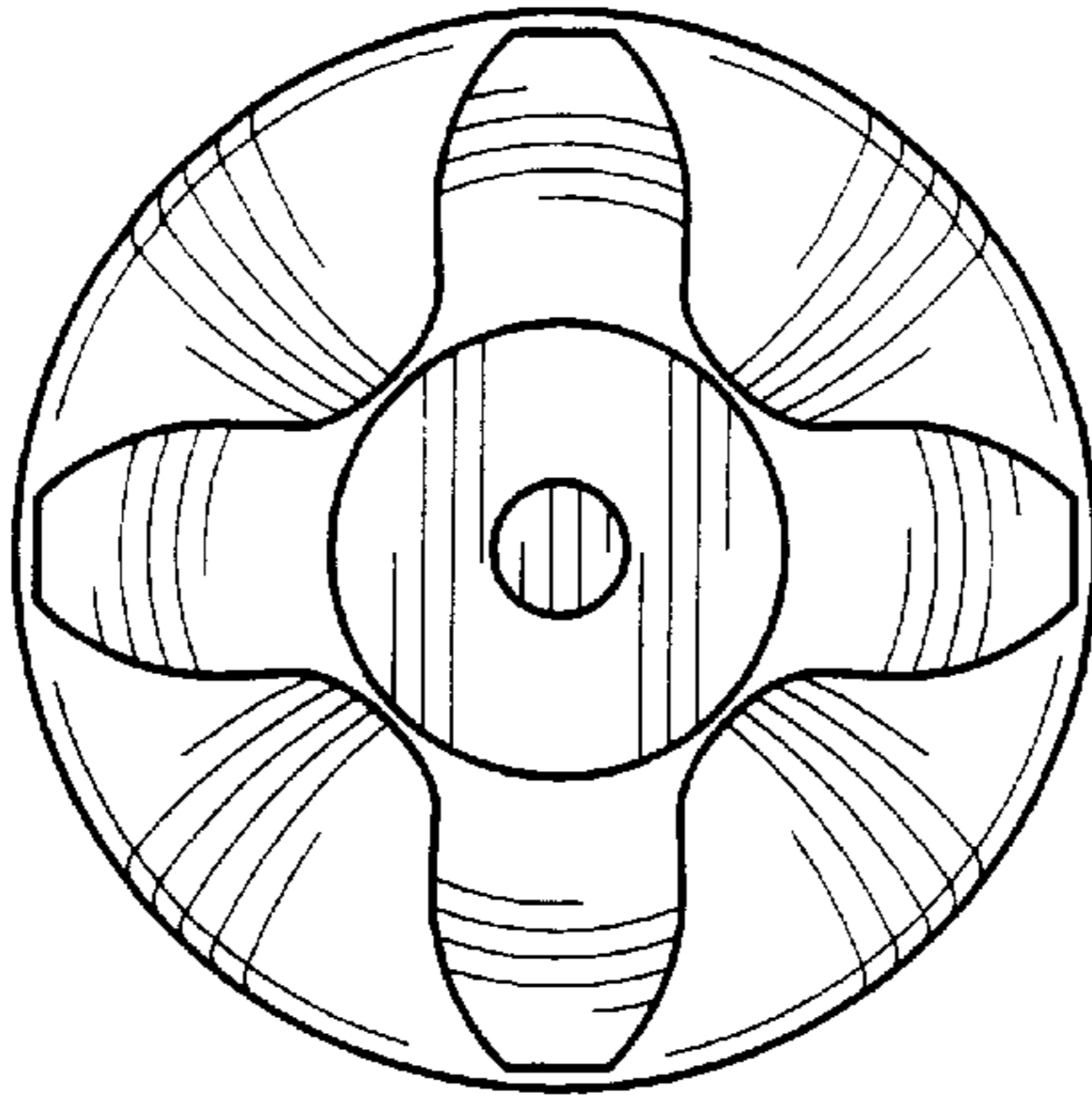


Fig-3

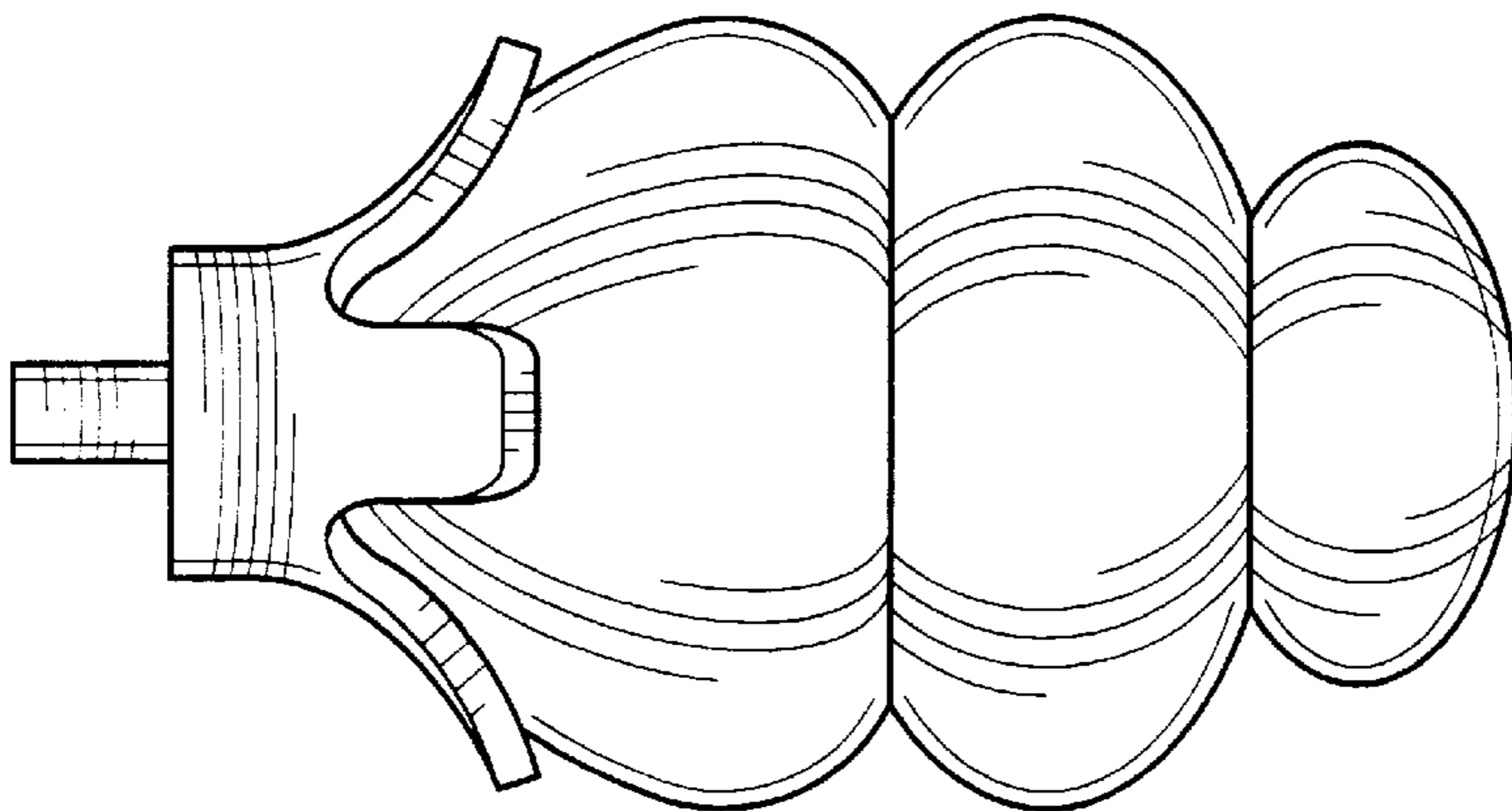


Fig-4

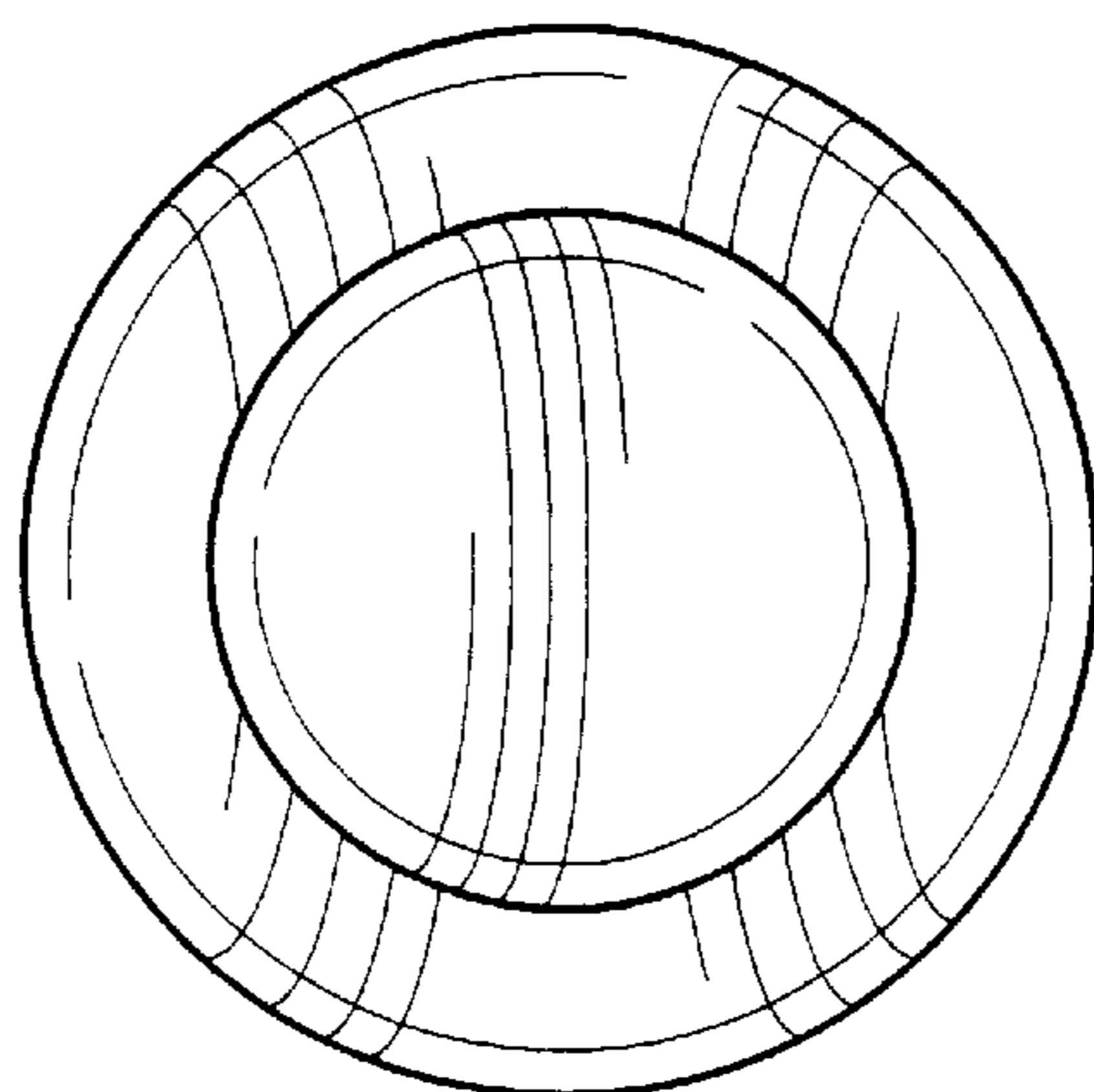


Fig-5