



US00D433619S

United States Patent [19]
Rowan

[11] **Patent Number: Des. 433,619**

[45] **Date of Patent: ** Nov. 14, 2000**

[54] **CURTAIN ROD WALL UNIT**

D. 410,377 6/1999 Bredemeier D8/363

[75] Inventor: **Paul Rowan**, Toronto, Canada

Primary Examiner—Holly Baynham
Attorney, Agent, or Firm—Ostrolenk, Faber, Gerb & Soffen, LLP

[73] Assignee: **Umbra U.S.A., Inc.**, Buffalo, N.Y.

[**] Term: **14 Years**

[57] **CLAIM**

[21] Appl. No.: **29/117,796**

The ornamental design for a curtain rod wall unit, as shown and described.

[22] Filed: **Jan. 31, 2000**

DESCRIPTION

[51] **LOC (7) Cl.** **08-05**

FIG. 1 is a perspective view of the curtain rod wall unit for one end of a curtain rod showing the new design;

[52] **U.S. Cl.** **D8/363**

FIG. 2 is a top view;

[58] **Field of Search** D8/363, 378, 376;
428/28; D26/154; 160/349.1, 349.2

FIG. 3 is a front view;

FIG. 4 is a back view;

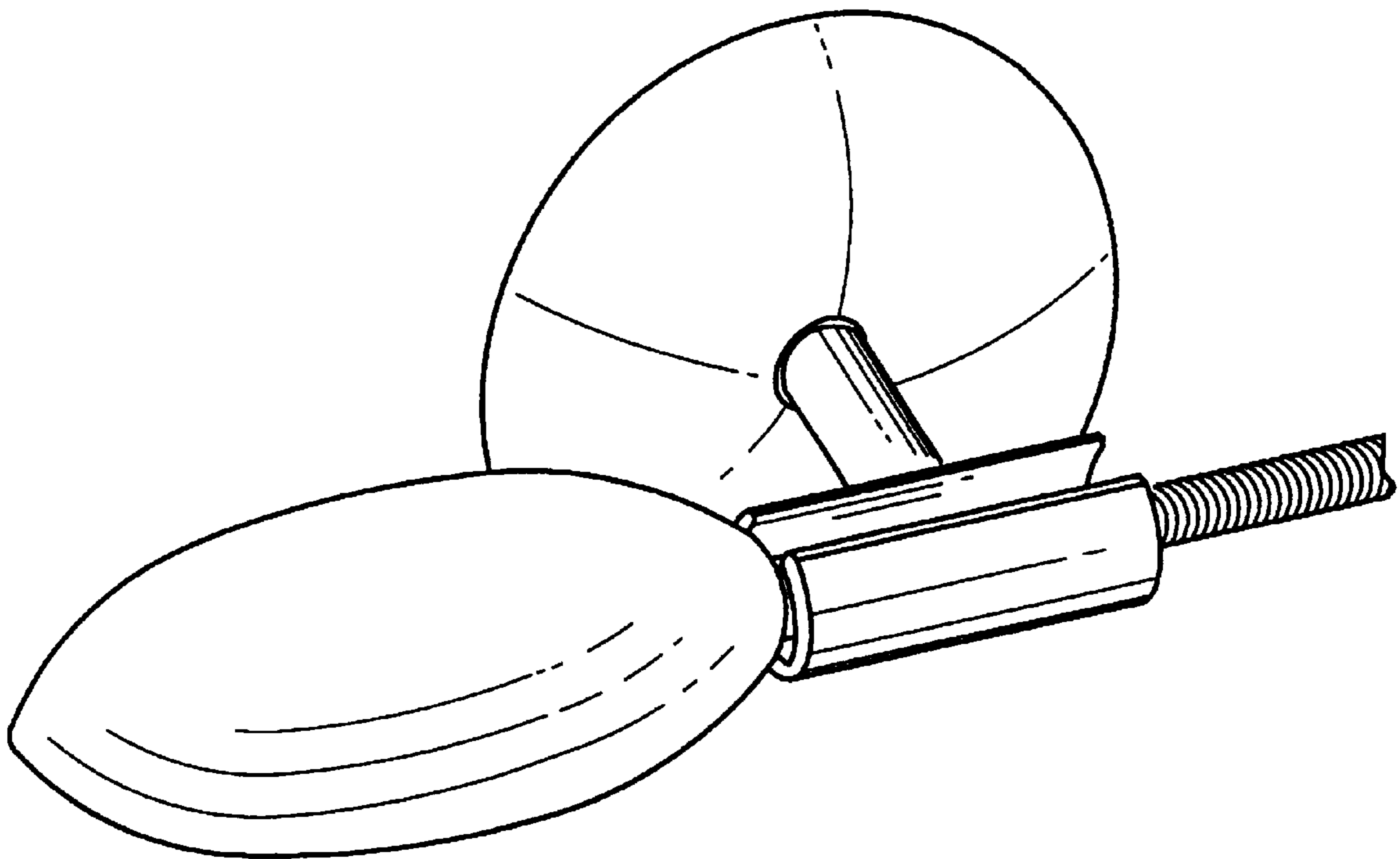
[56] **References Cited**

FIG. 5 is a view from the right hand side of FIG. 1; and,
FIG. 6 is a perspective view from the right hand side of FIG. 1.

U.S. PATENT DOCUMENTS

- D. 73,131 7/1927 Hofman D8/376
- D. 74,964 4/1928 Crawford D8/378

1 Claim, 4 Drawing Sheets



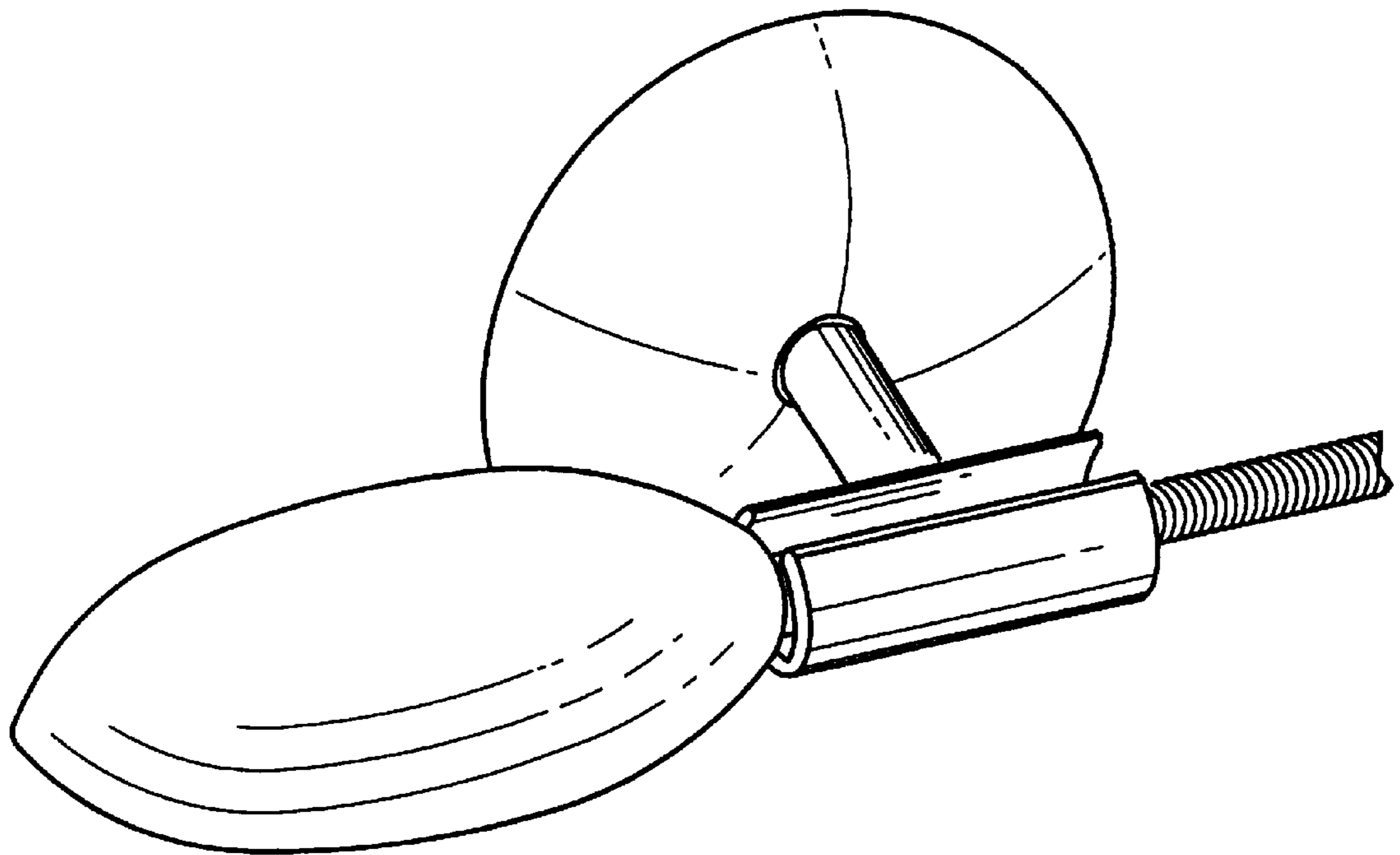


FIG. 1

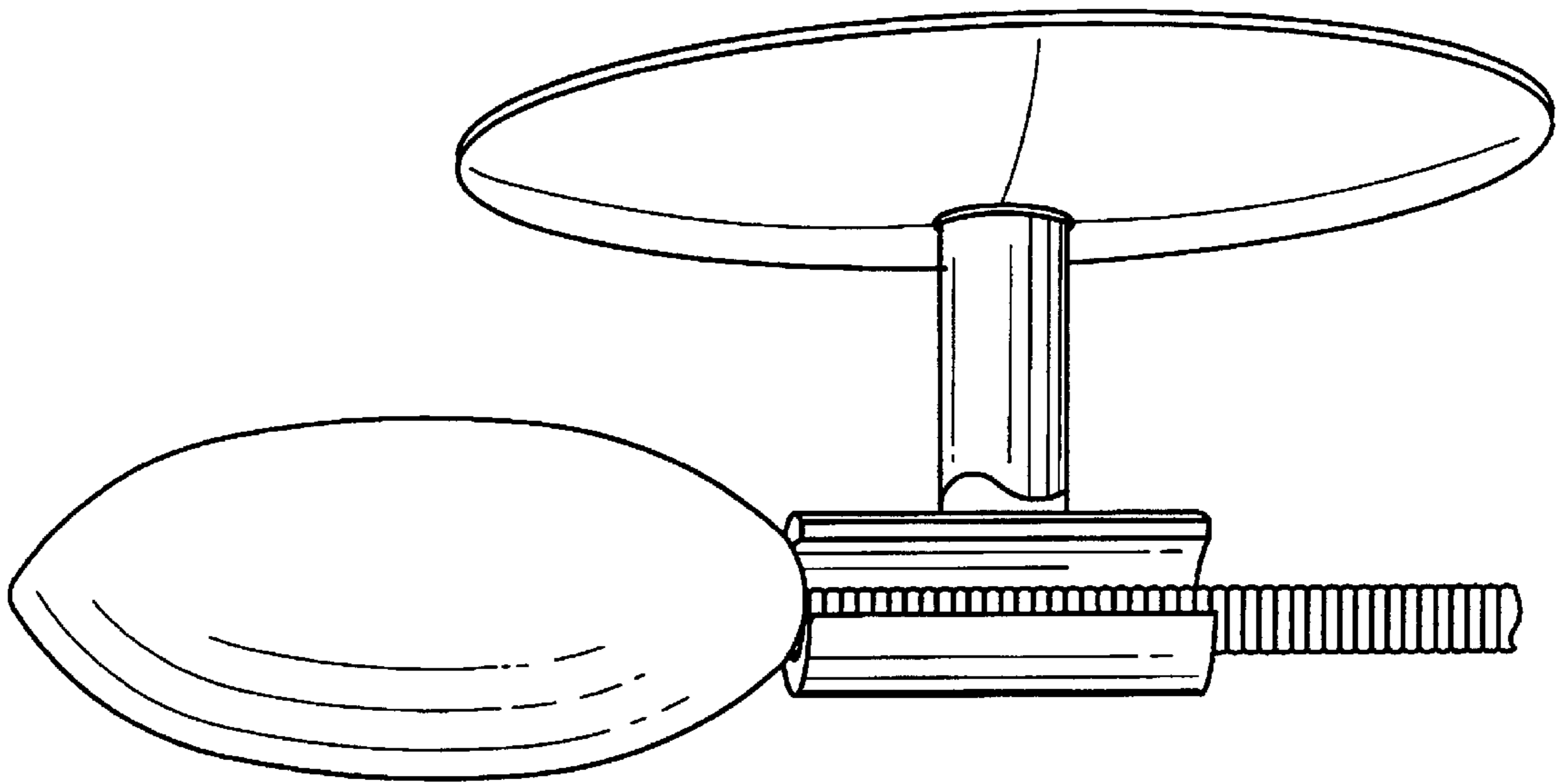


FIG. 2

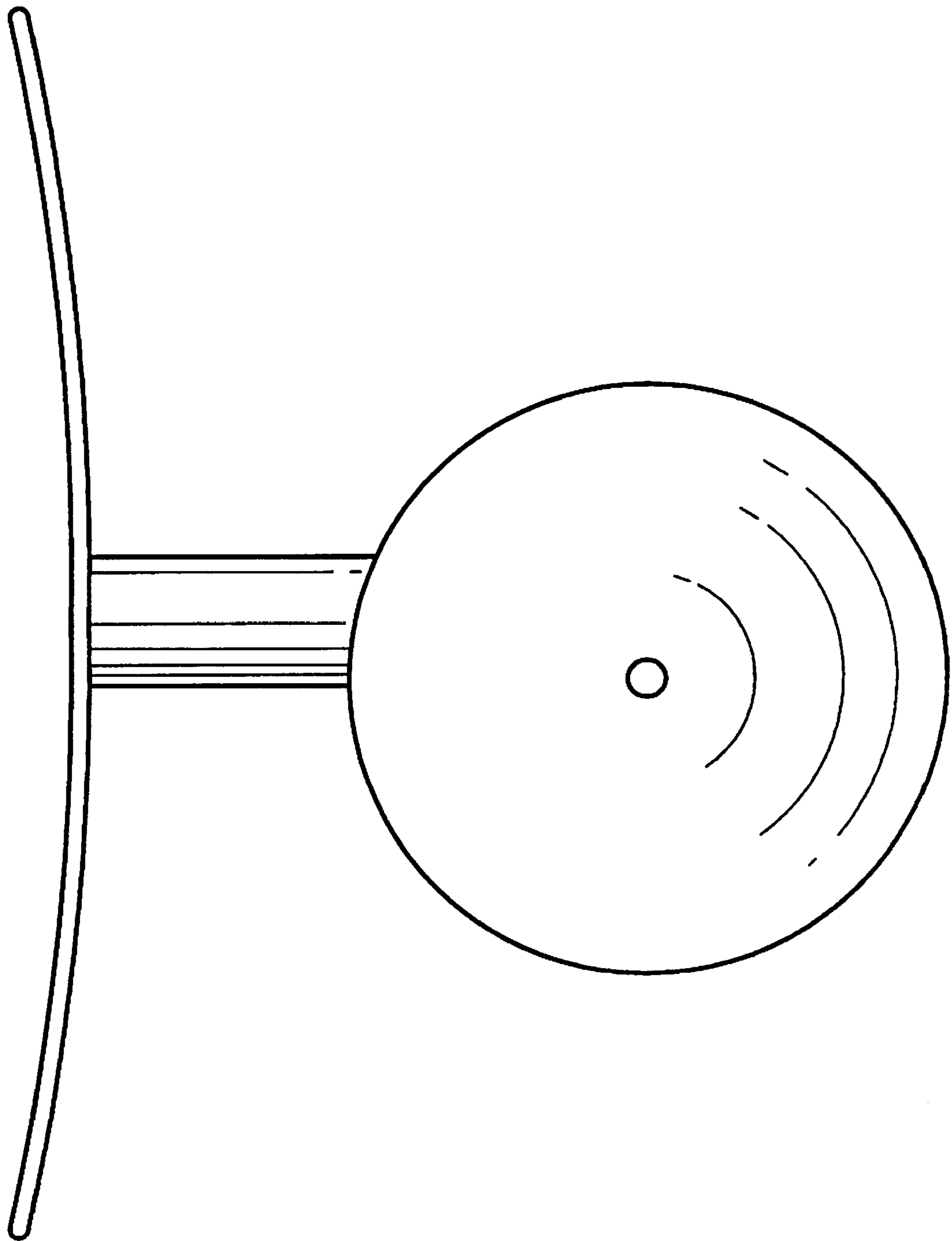


FIG. 5

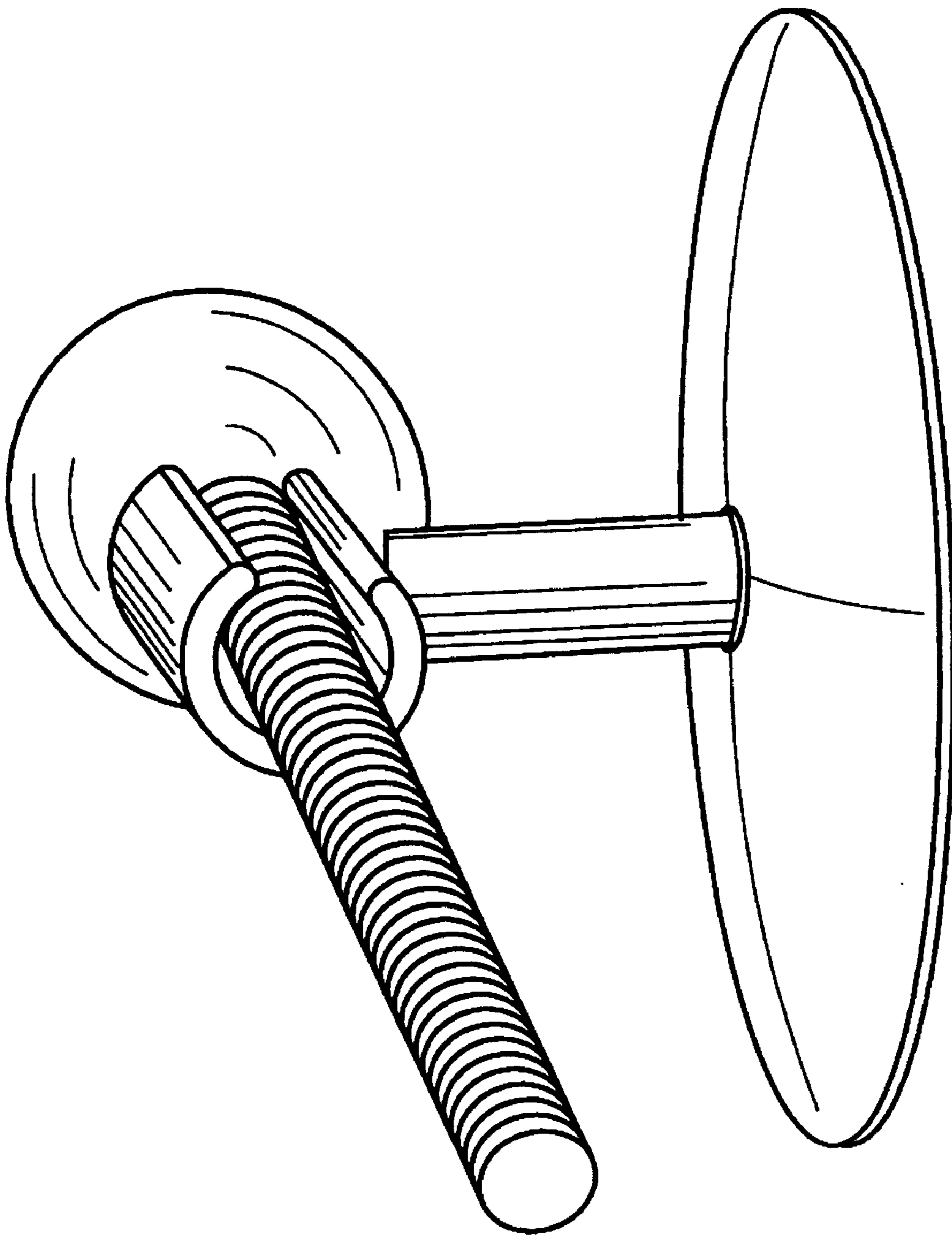


FIG. 6