



US00D433617S

**United States Patent** [19]  
**Gray, Jr.**

[11] **Patent Number: Des. 433,617**

[45] **Date of Patent: \*\* Nov. 14, 2000**

[54] **CHAIN SHACKLE WITH PIN LOCKING STRUCTURE**

Yoke Catalog, p. 4, lifting hook, item No. ART.8-065, Aug. 1995.

[76] Inventor: **Albert M. Gray, Jr.**, 30 Pierce Ct., N. Wey., Mass. 02191-1409

*Primary Examiner*—Holly Baynham  
*Attorney, Agent, or Firm*—John P. McGonagle

[\*\*] Term: **14 Years**

[57] **CLAIM**

[21] Appl. No.: **29/117,577**

The ornamental design for a chain shackle with pin locking structure, as shown and described.

[22] Filed: **Jan. 31, 2000**

[51] **LOC (7) Cl.** ..... **08-05**

[52] **U.S. Cl.** ..... **D8/356**

[58] **Field of Search** ..... D8/367, 382-383, D8/356; D34/35; 294/82.17, 82.1, 82.21

**DESCRIPTION**

[56] **References Cited**

**U.S. PATENT DOCUMENTS**

D. 265,173 6/1982 Brooks ..... D8/356

FIG. 1 is a perspective view of a chain shackle with pin locking structure embodying my new design;

FIG. 2 is a rear view thereof;

FIG. 3 is a top view thereof;

FIG. 4 is a bottom view thereof;

FIG. 5 is a right side elevational view thereof;

FIG. 6 is a left side elevational view thereof; and,

FIG. 7 is a front view thereof.

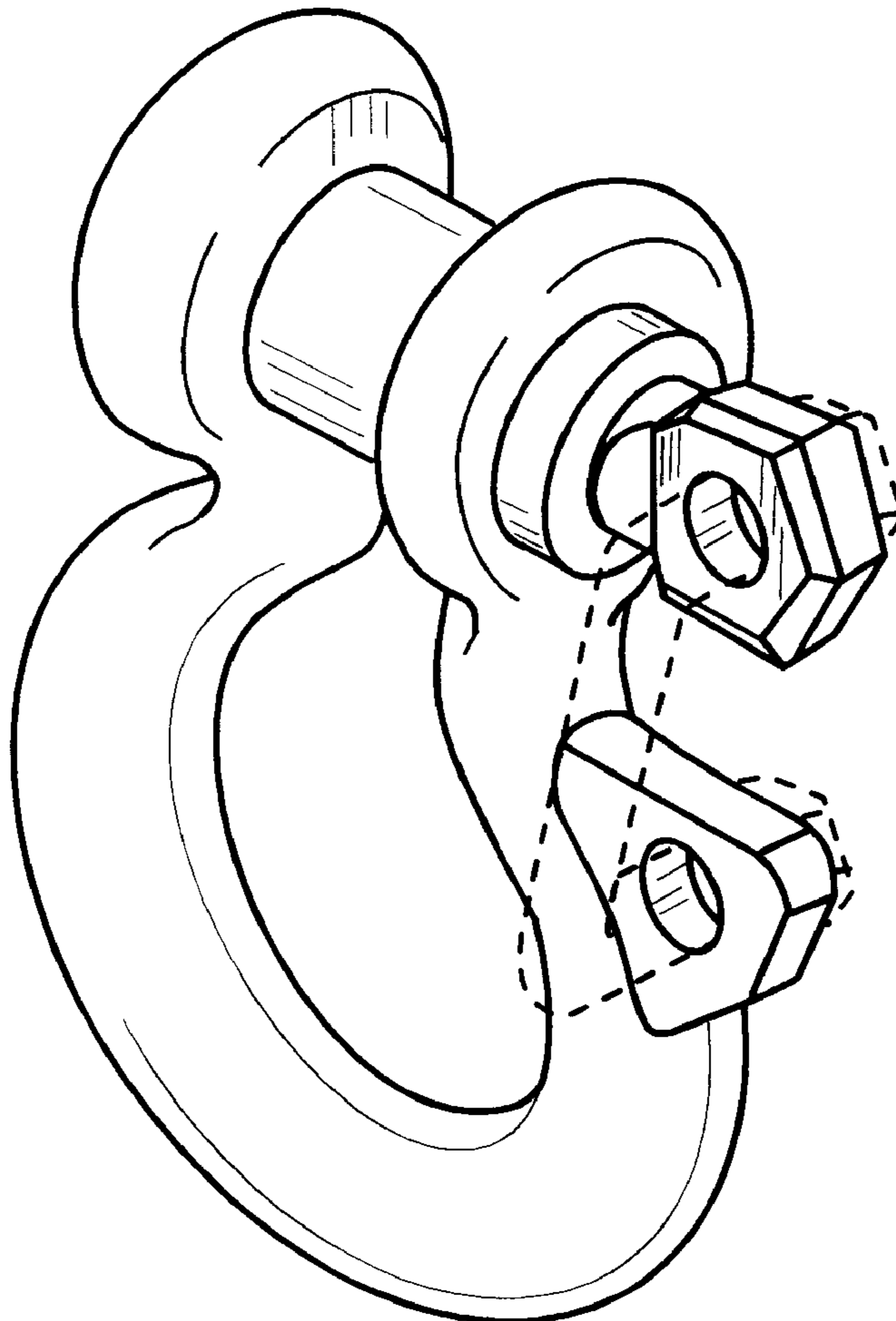
The broken line showing in the Figures are for illustrative purposes only and form no part of the claimed design.

**OTHER PUBLICATIONS**

Yoike Catalog, p. 1, fitting item No. art.S-F355, located at left of page, Aug. 1995.

Wichard Catalog, p. 7, shackle item 4 located at bottom right of page, Aug. 1995.

**1 Claim, 2 Drawing Sheets**



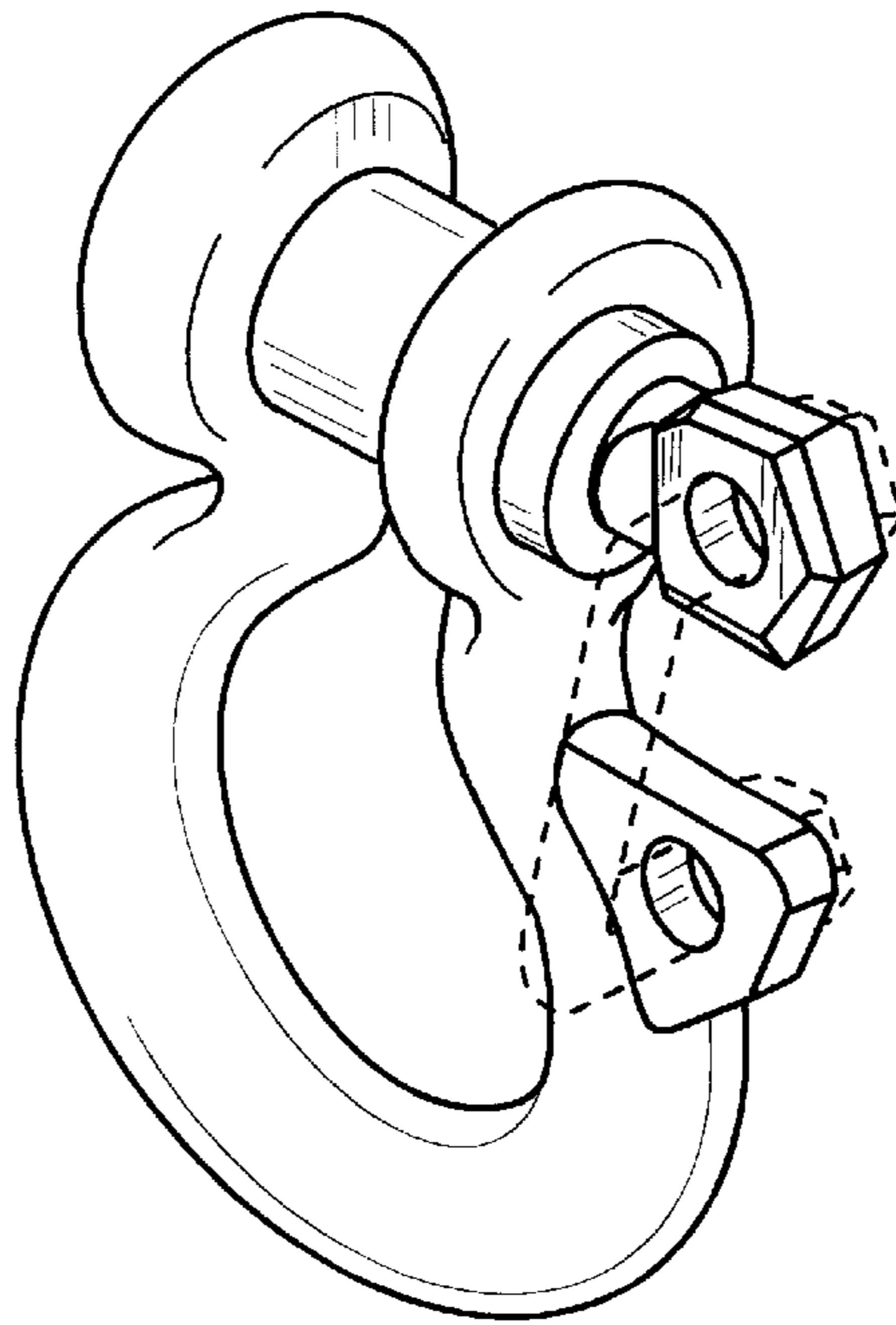


FIG. 1

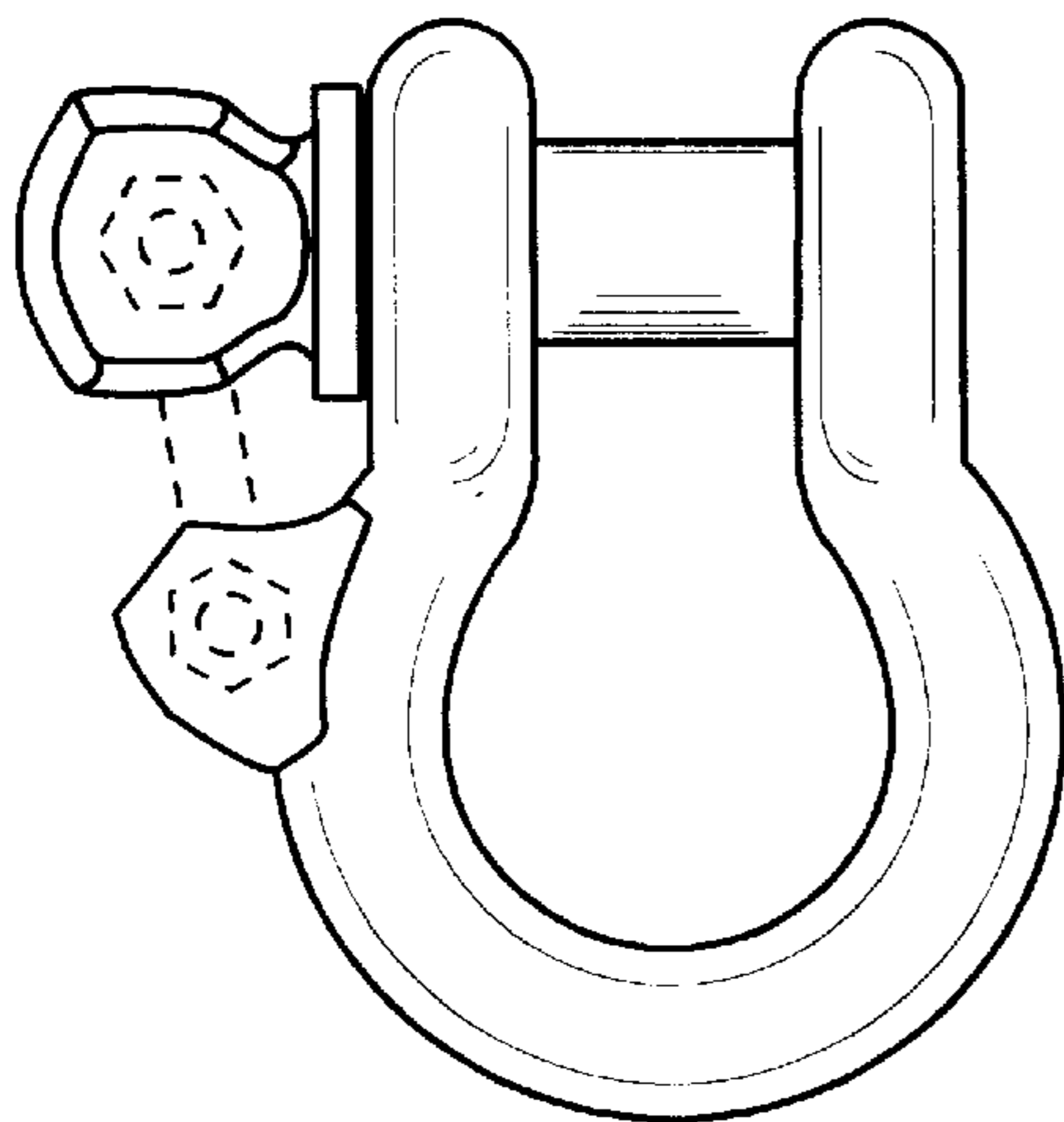


FIG. 2

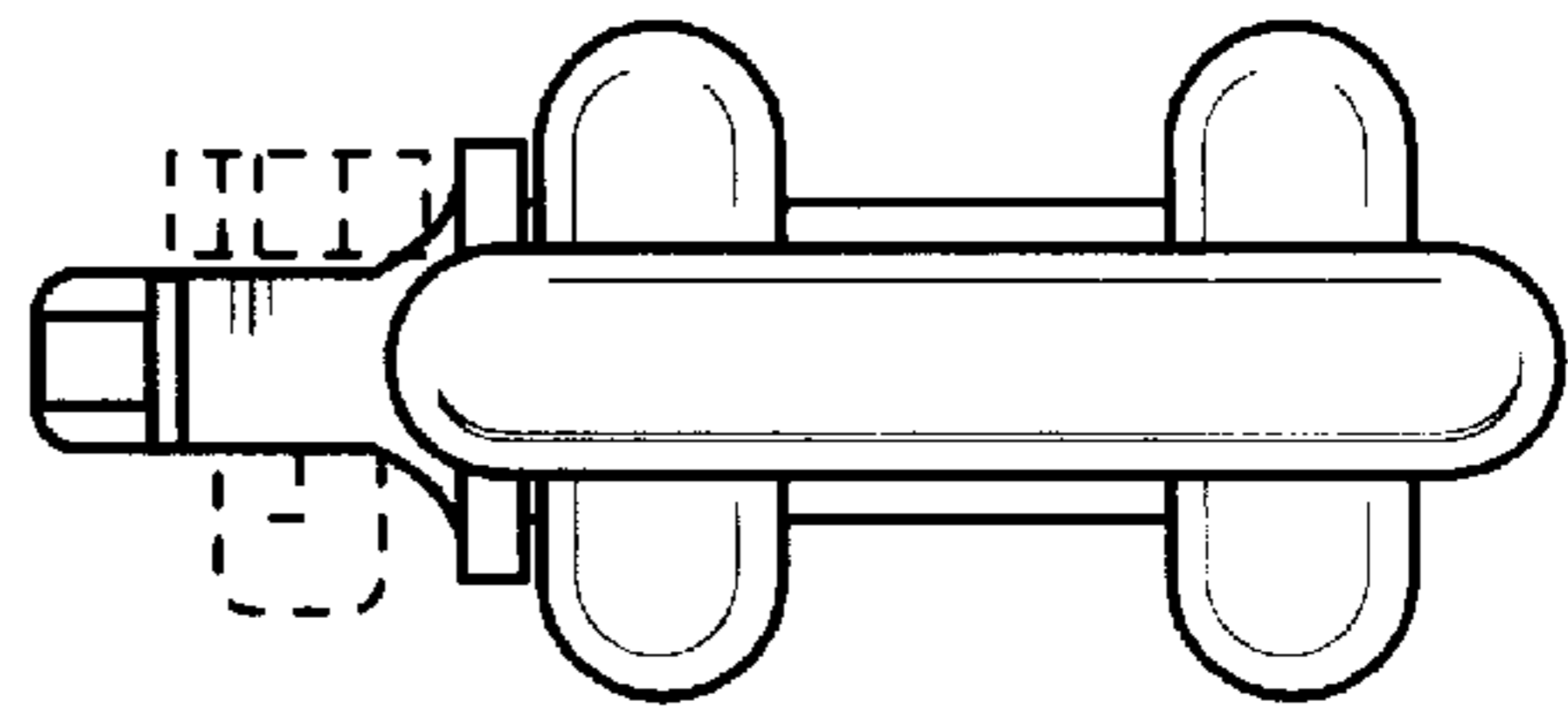


FIG. 3

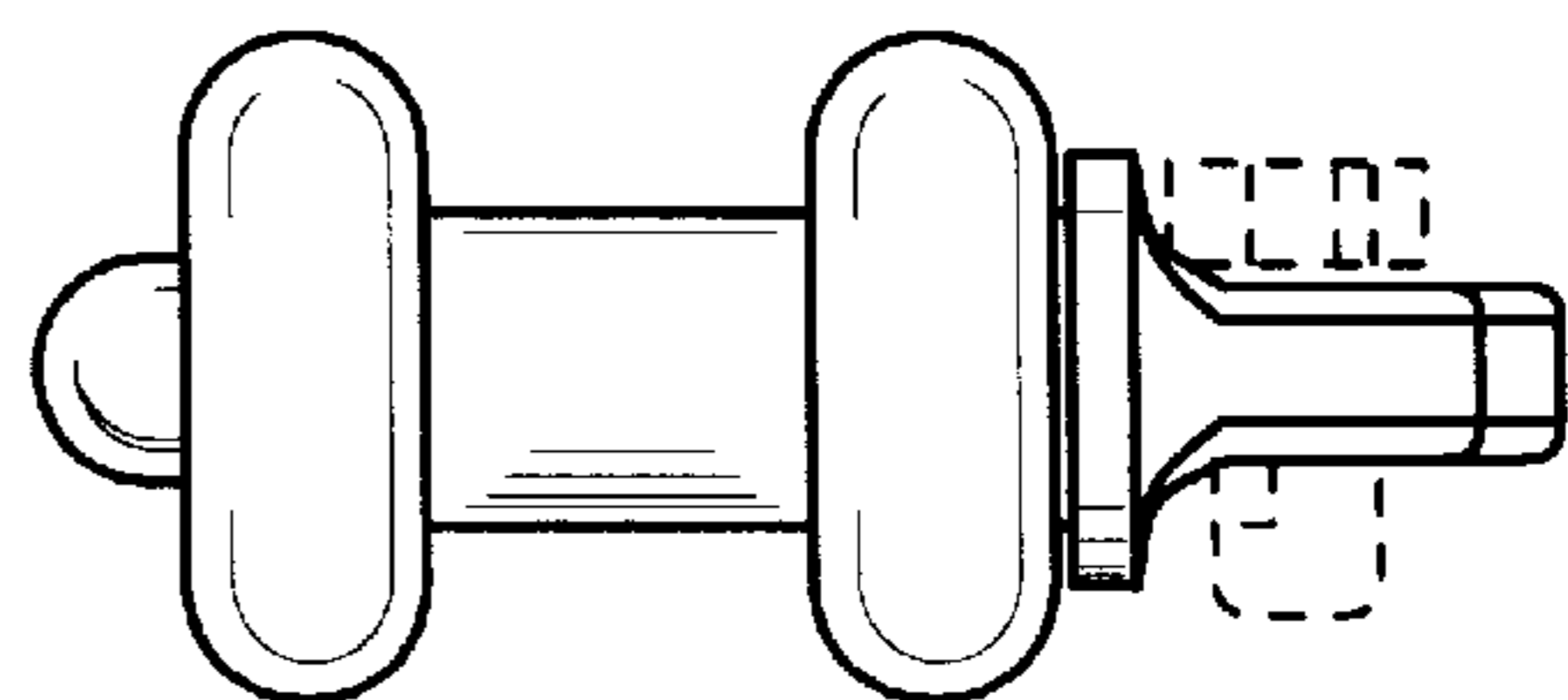


FIG. 4

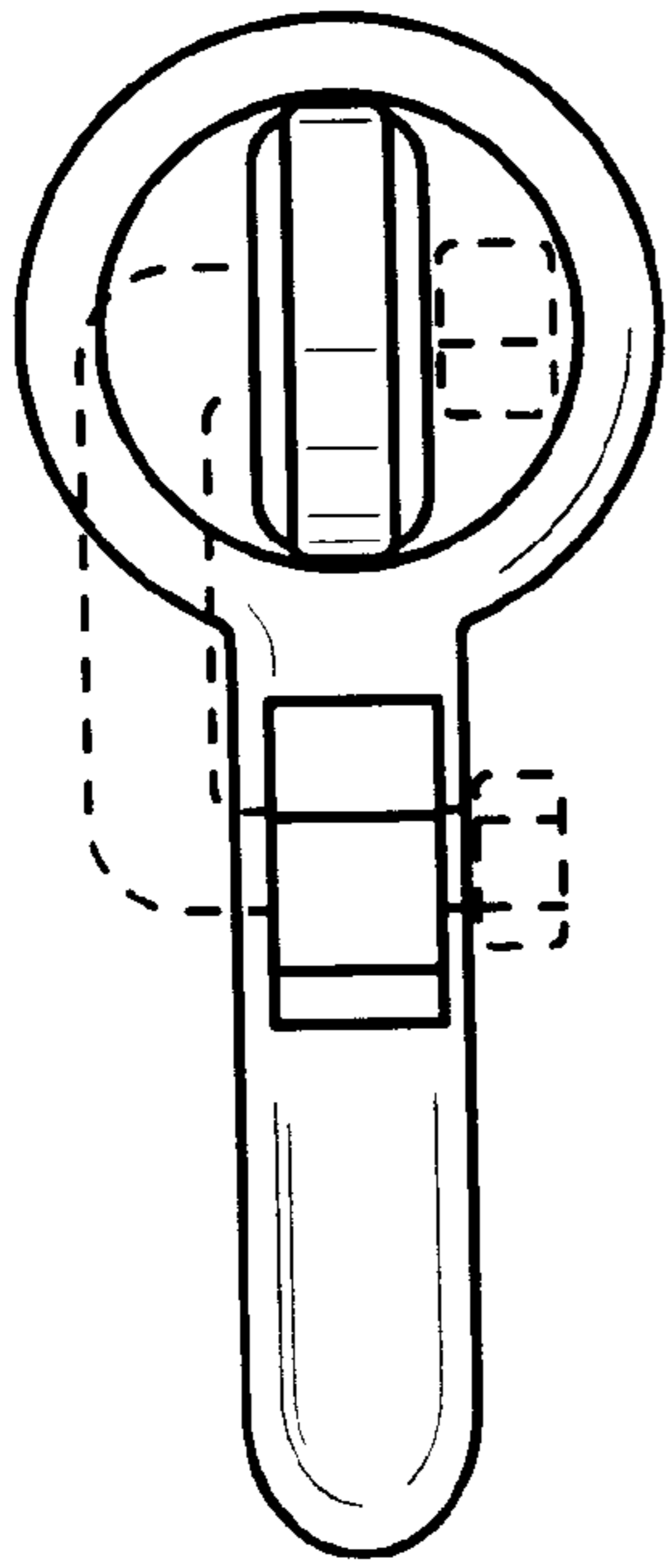


FIG. 5

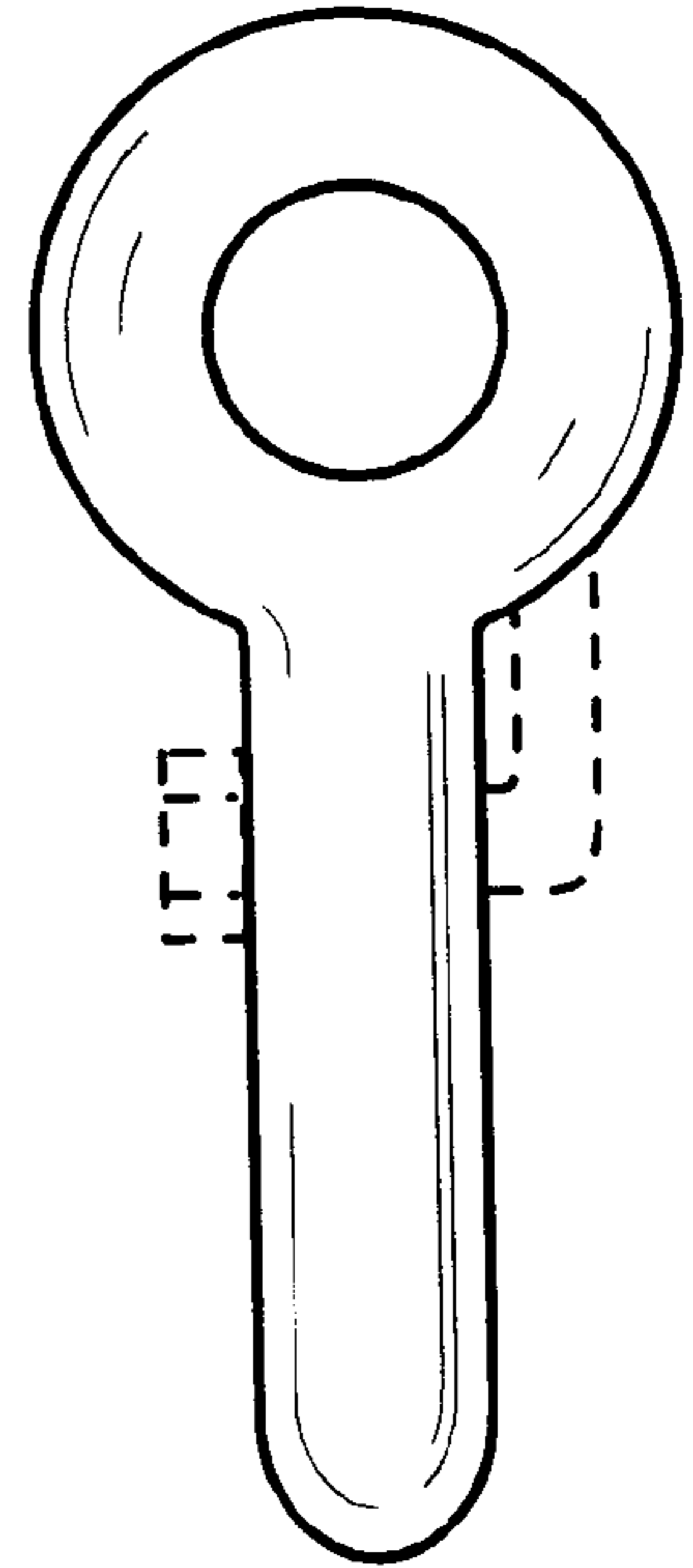


FIG. 6

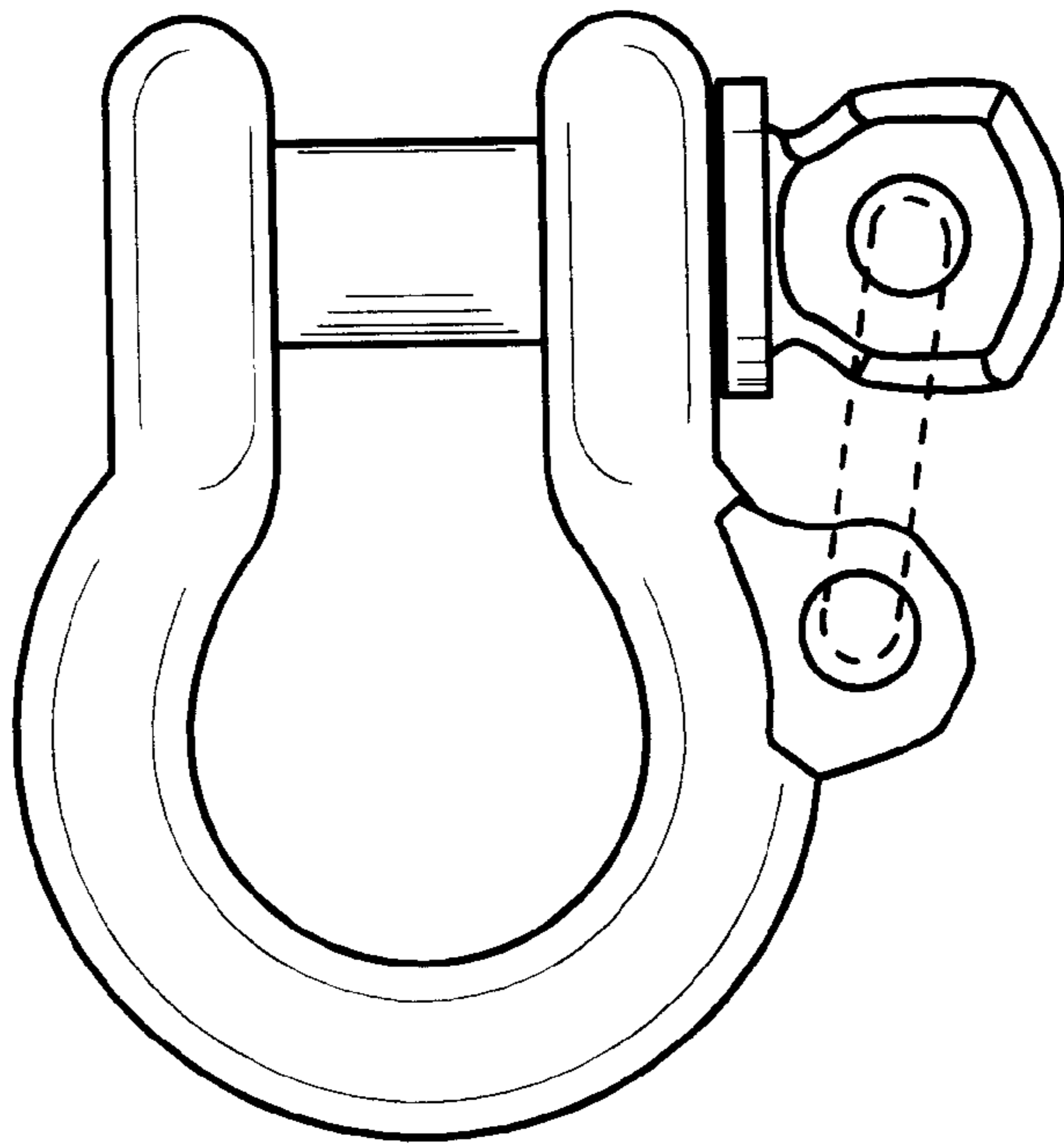


FIG. 7