



US00D433616S

**United States Patent** [19]  
**Fischer**

[11] **Patent Number: Des. 433,616**

[45] **Date of Patent: \*\* Nov. 14, 2000**

[54] **ADJUSTABLE MOUNTING BRACKET**

**DESCRIPTION**

[76] Inventor: **Roy K. Fischer**, 7641 E. Gray Rd.,  
Scottsdale, Ariz. 85260

[\*\*] Term: **14 Years**

[21] Appl. No.: **29/116,379**

[22] Filed: **Dec. 29, 1999**

[51] **LOC (7) Cl.** ..... **08-05**

[52] **U.S. Cl.** ..... **D8/355**

[58] **Field of Search** ..... D8/349, 354, 355;  
248/538, 300, 291.1

[56] **References Cited**

**U.S. PATENT DOCUMENTS**

- D. 306,396 3/1990 Brushaber ..... D8/355
- D. 367,811 3/1996 Leblhuber ..... D8/349
- D. 414,677 10/1999 Davies ..... D8/349

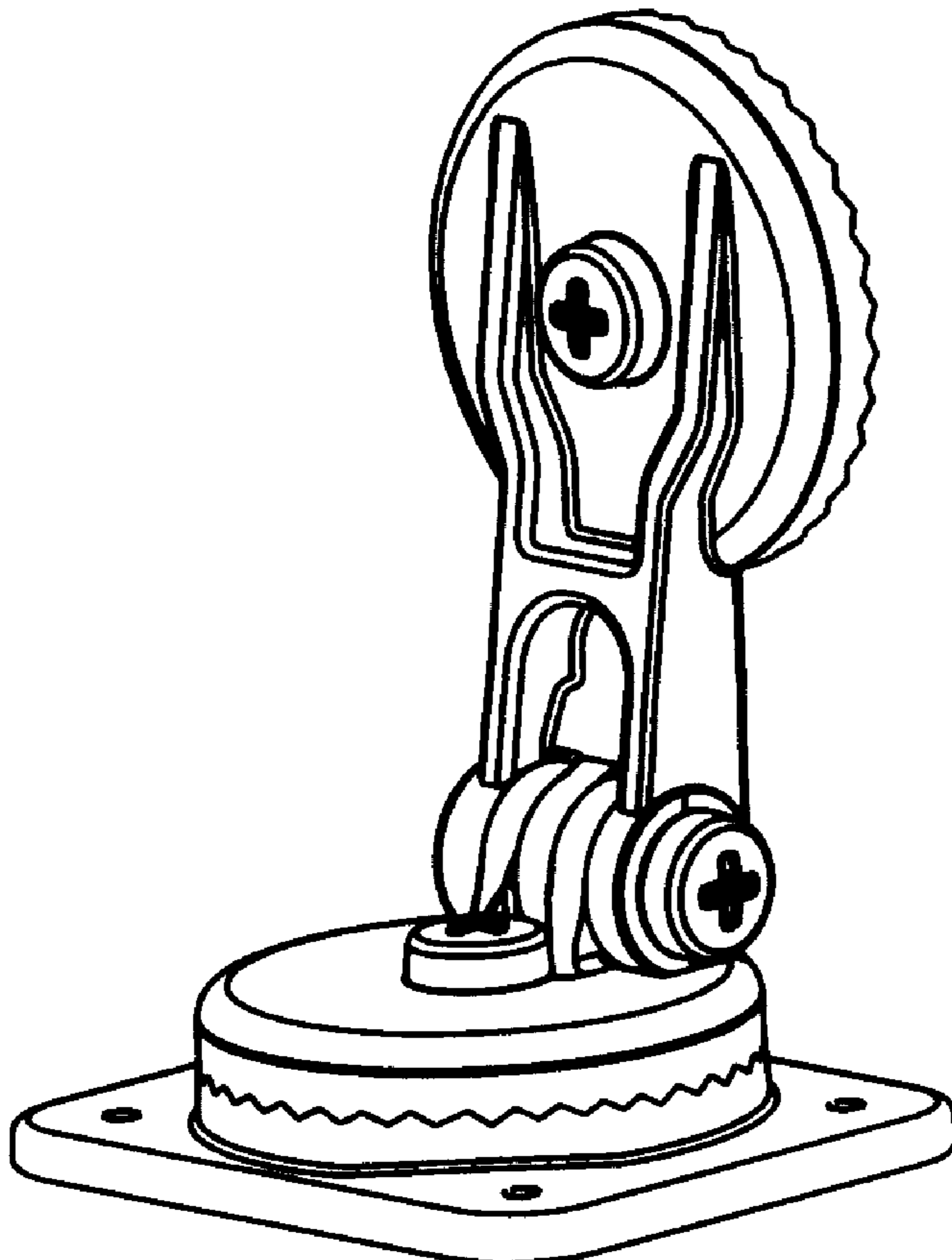
*Primary Examiner*—Holly Baynham  
*Attorney, Agent, or Firm*—Gregory J. Nelson

[57] **CLAIM**

I claim the ornamental design for a adjustable mounting bracket, as shown and described.

FIG. 1 is a rear perspective view showing the adjustable mounting bracket of my new design;  
 FIG. 2 is a front perspective view thereof;  
 FIG. 3 is a left side view as viewed in FIG. 1;  
 FIG. 4 is a rear view thereof;  
 FIG. 5 is a right side view thereof;  
 FIG. 6 is a front view thereof;  
 FIG. 7 is a bottom view thereof;  
 FIG. 8 is a top view thereof;  
 FIG. 9 is an exploded view thereof;  
 FIG. 10 is a rear perspective view showing another embodiment of the adjustable mounting bracket of my new design;  
 FIG. 11 is a front perspective view thereof;  
 FIG. 12 is a left side view as viewed in FIG. 1;  
 FIG. 13 is a rear view thereof;  
 FIG. 14 is a right side view thereof;  
 FIG. 15 is a front view thereof;  
 FIG. 16 is a bottom view thereof;  
 FIG. 17 is a top view thereof; and,  
 FIG. 18 is an exploded view thereof.

**1 Claim, 4 Drawing Sheets**



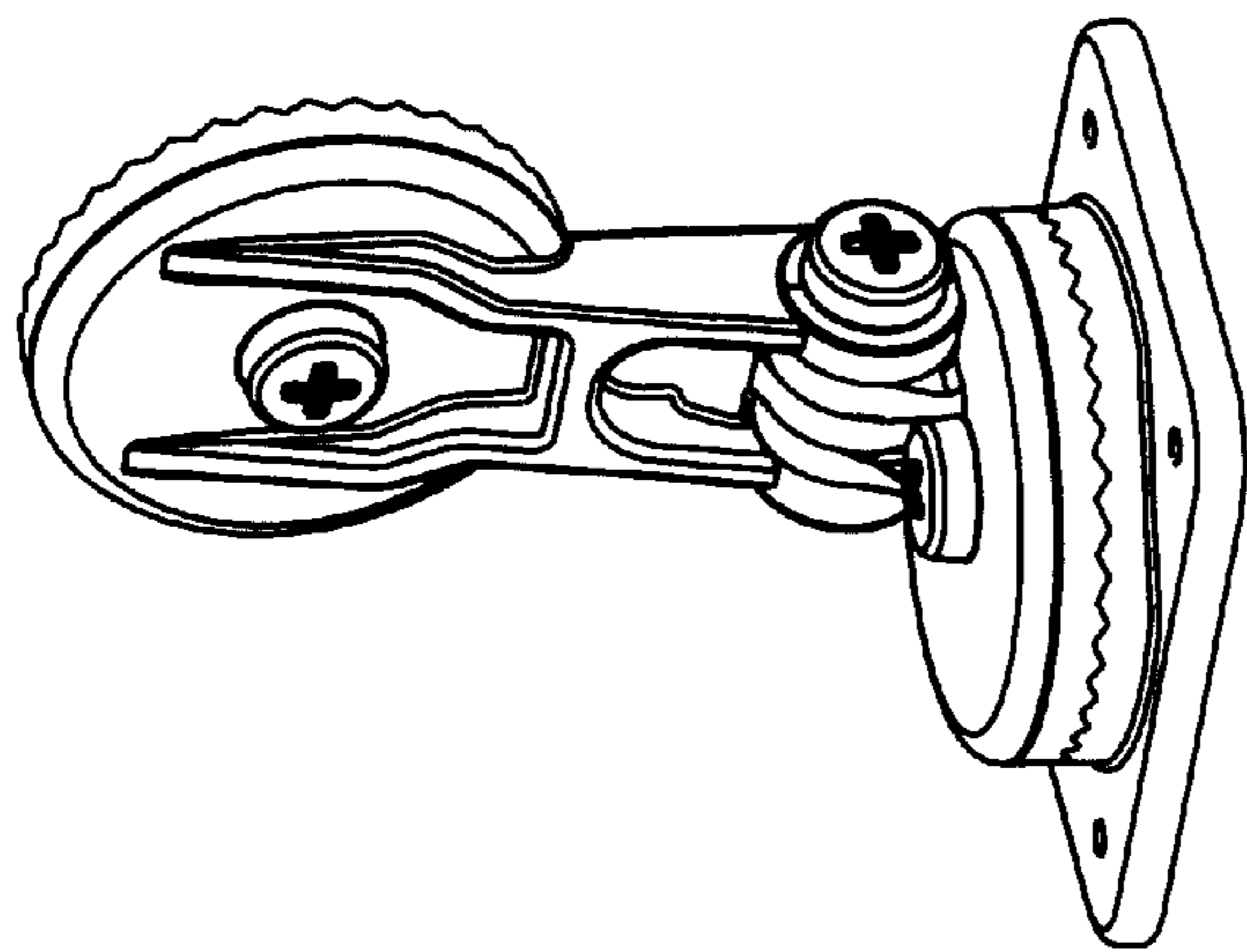


FIGURE 1

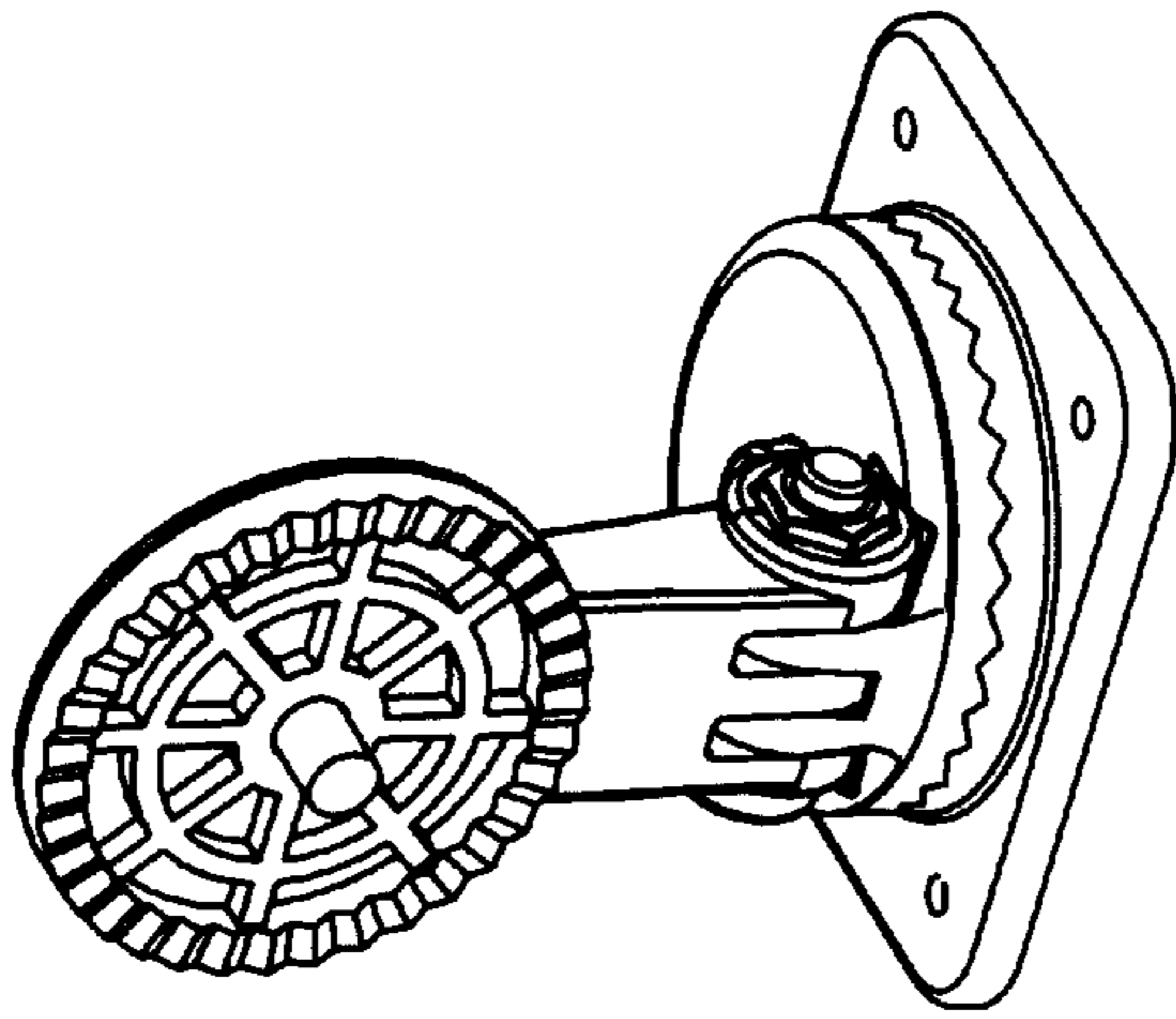


FIGURE 2

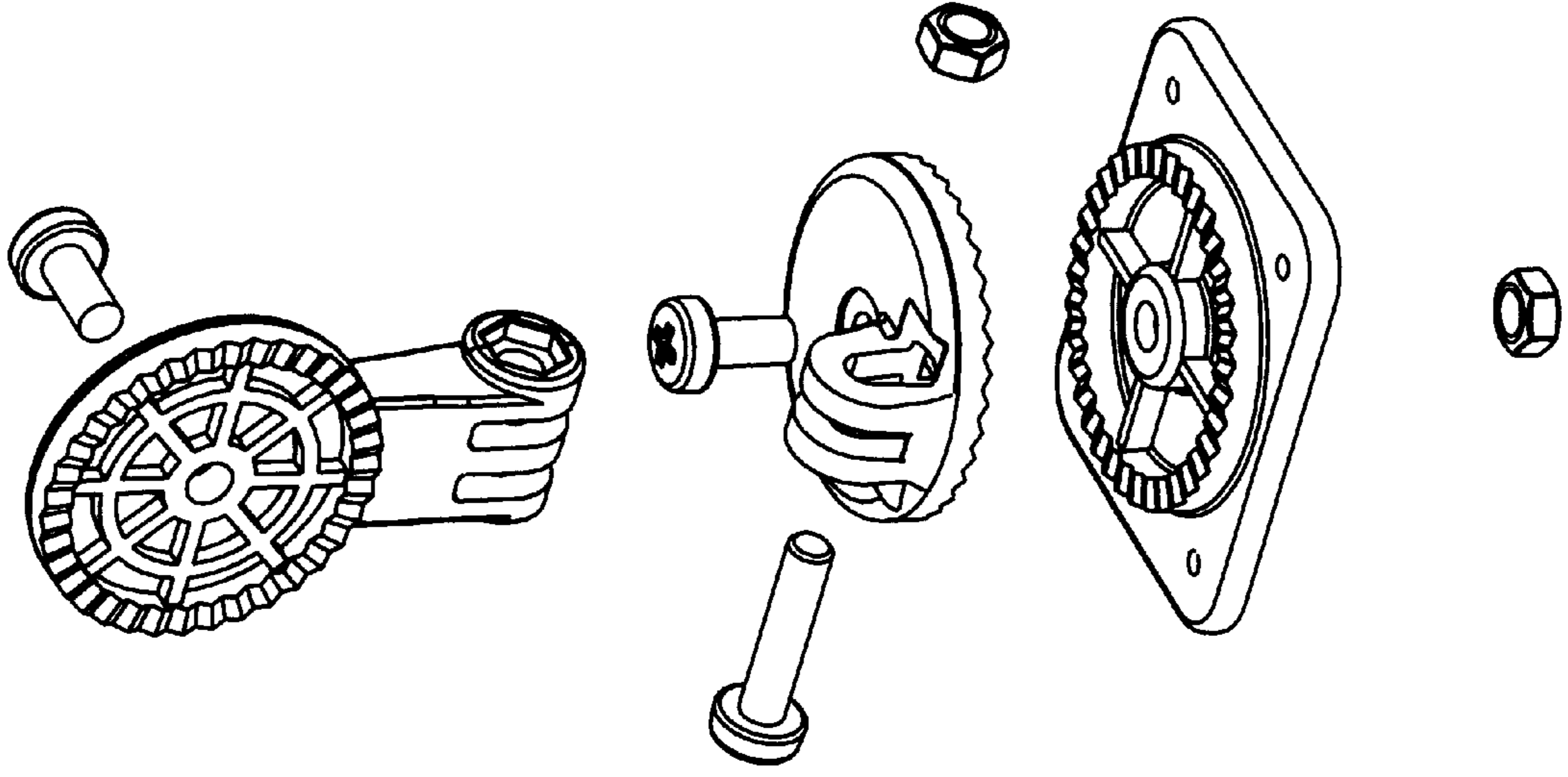


FIGURE 9

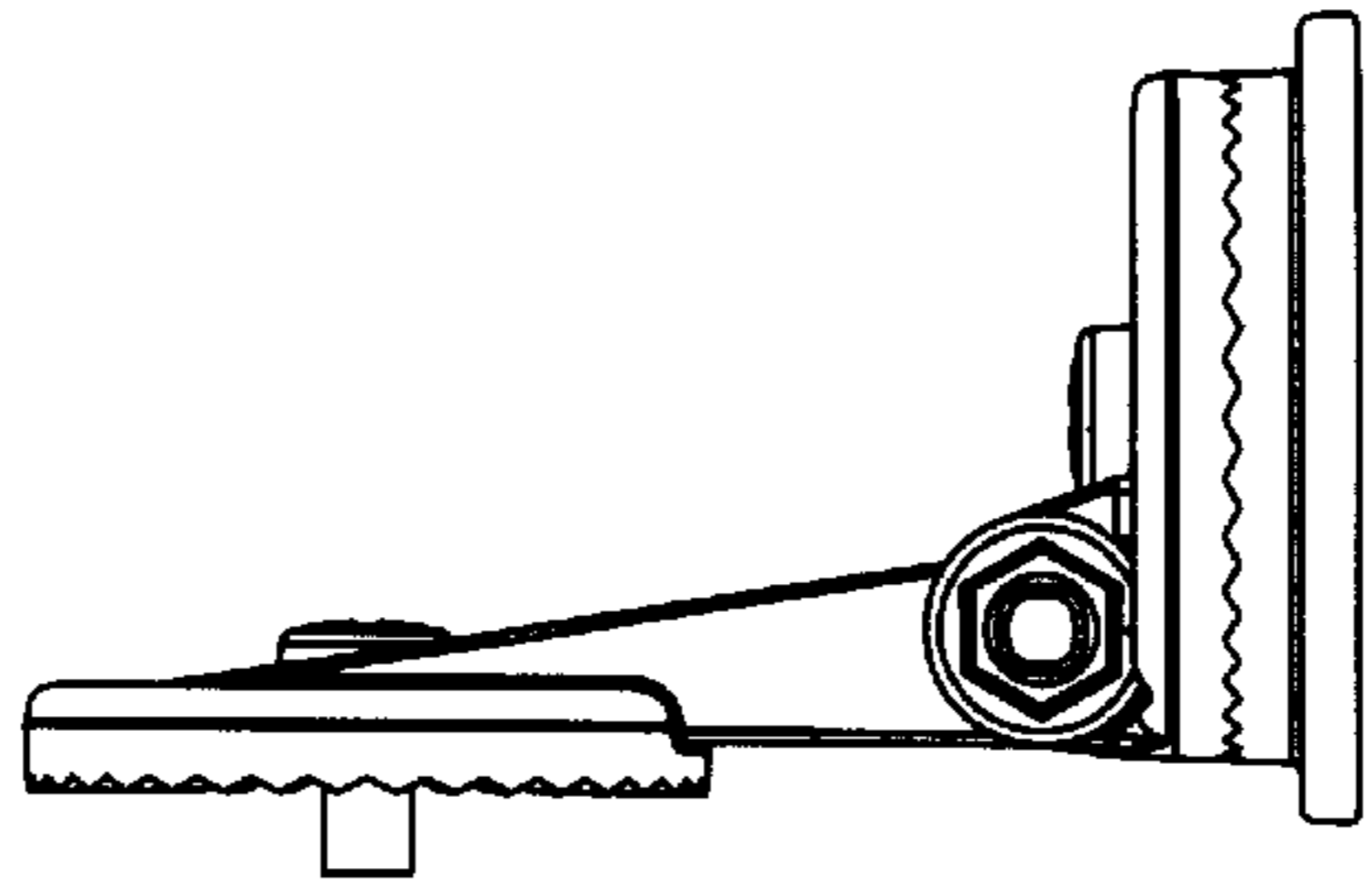


FIGURE 3

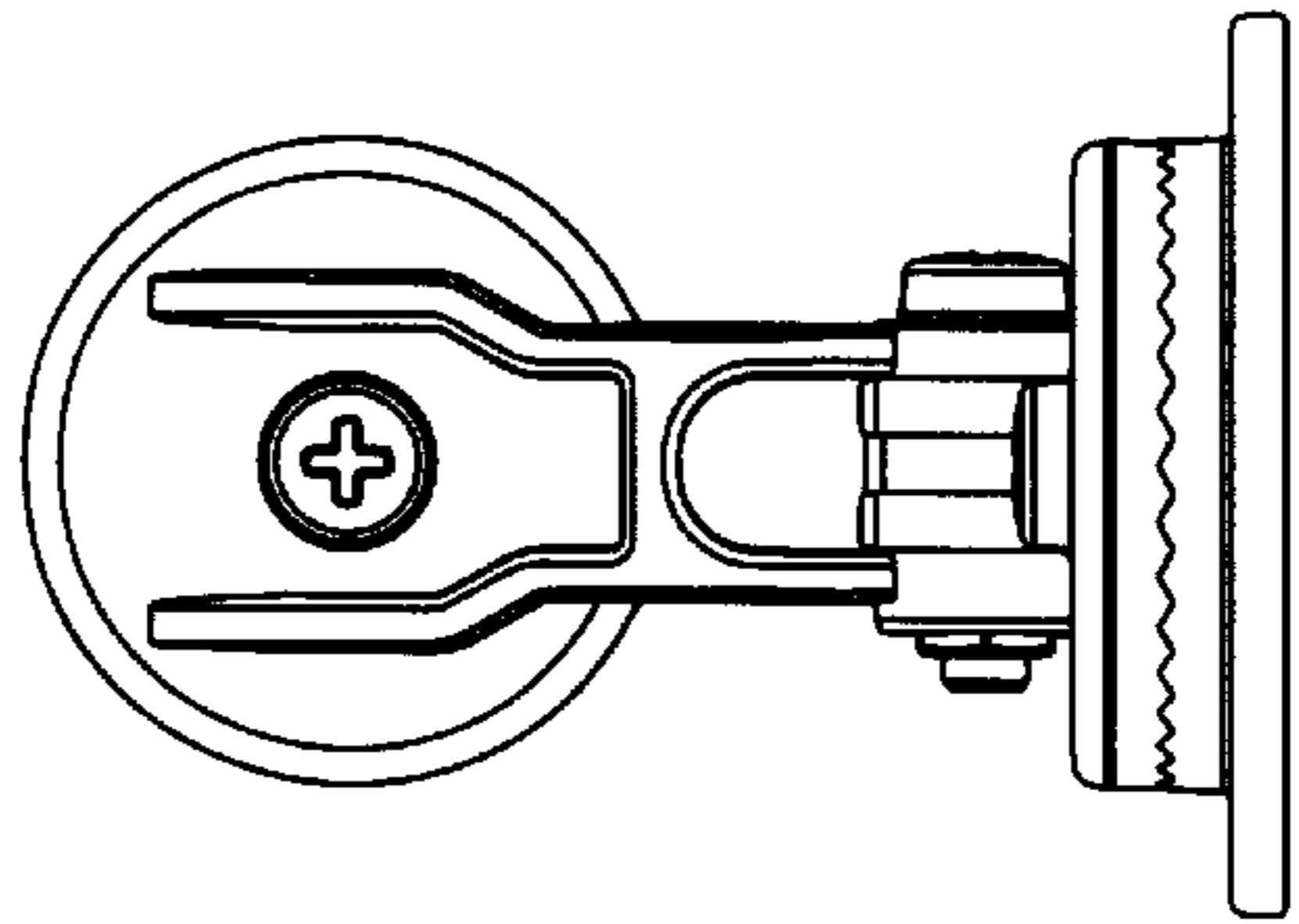


FIGURE 4

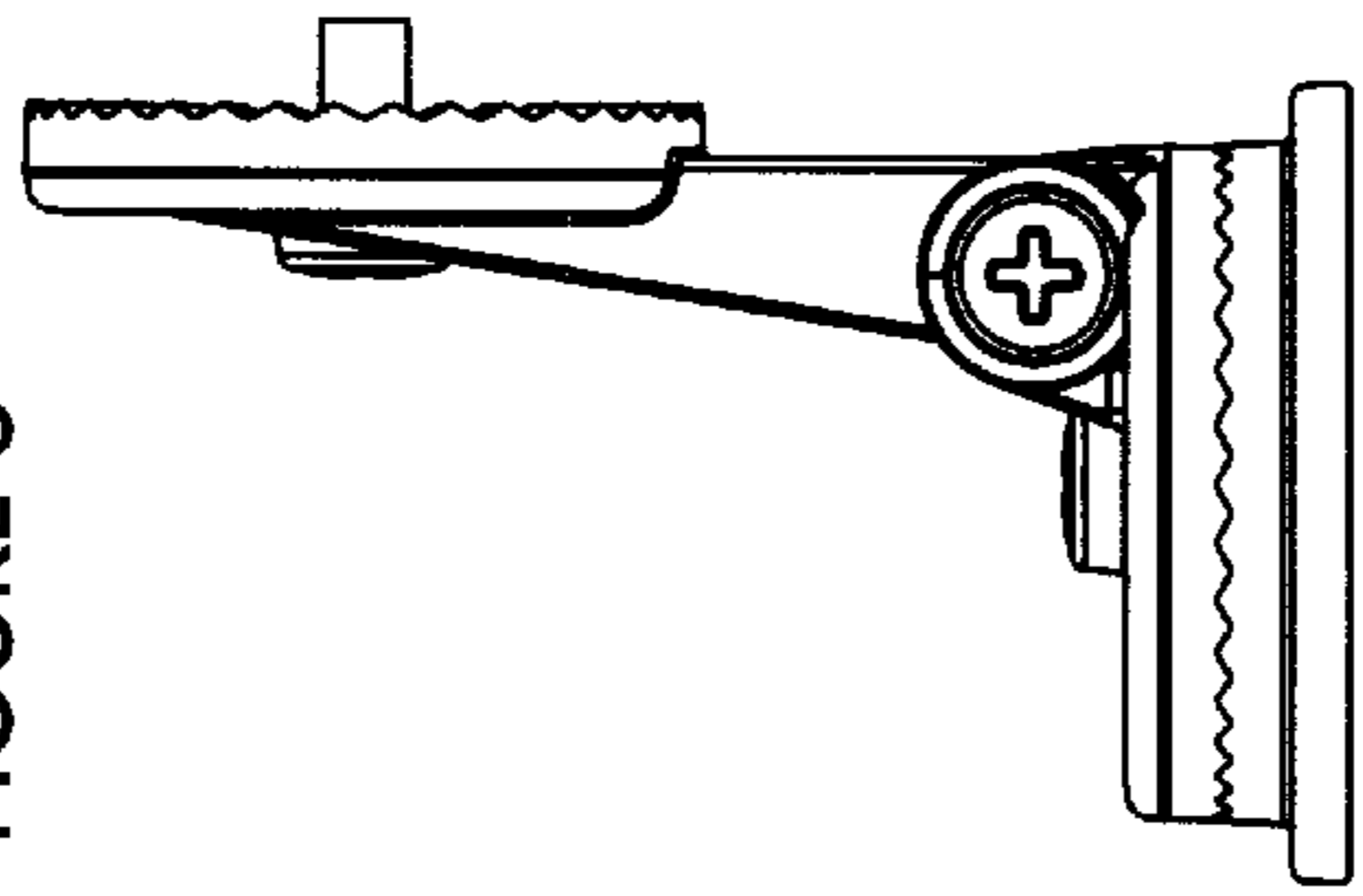


FIGURE 5

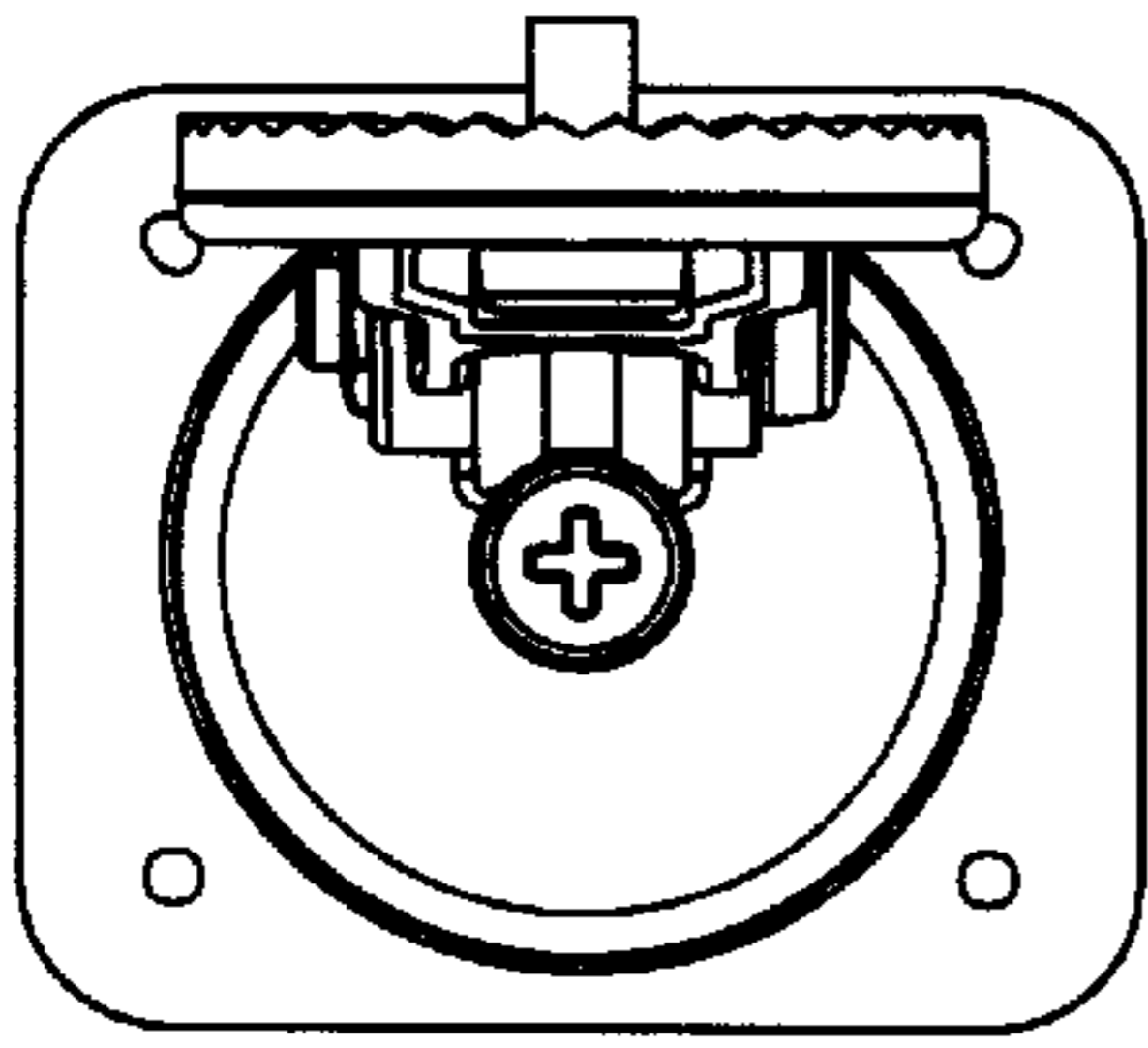


FIGURE 8

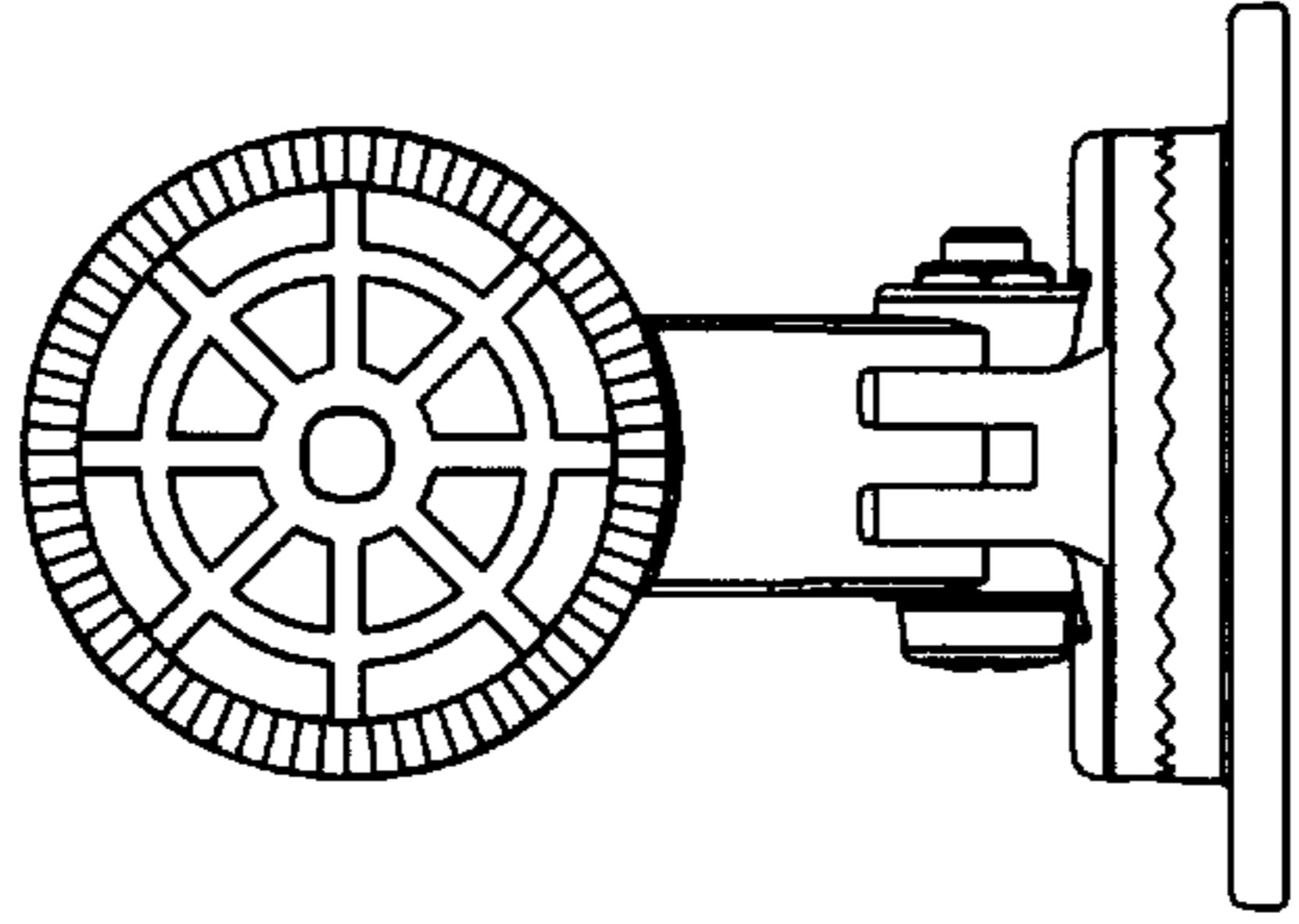


FIGURE 6

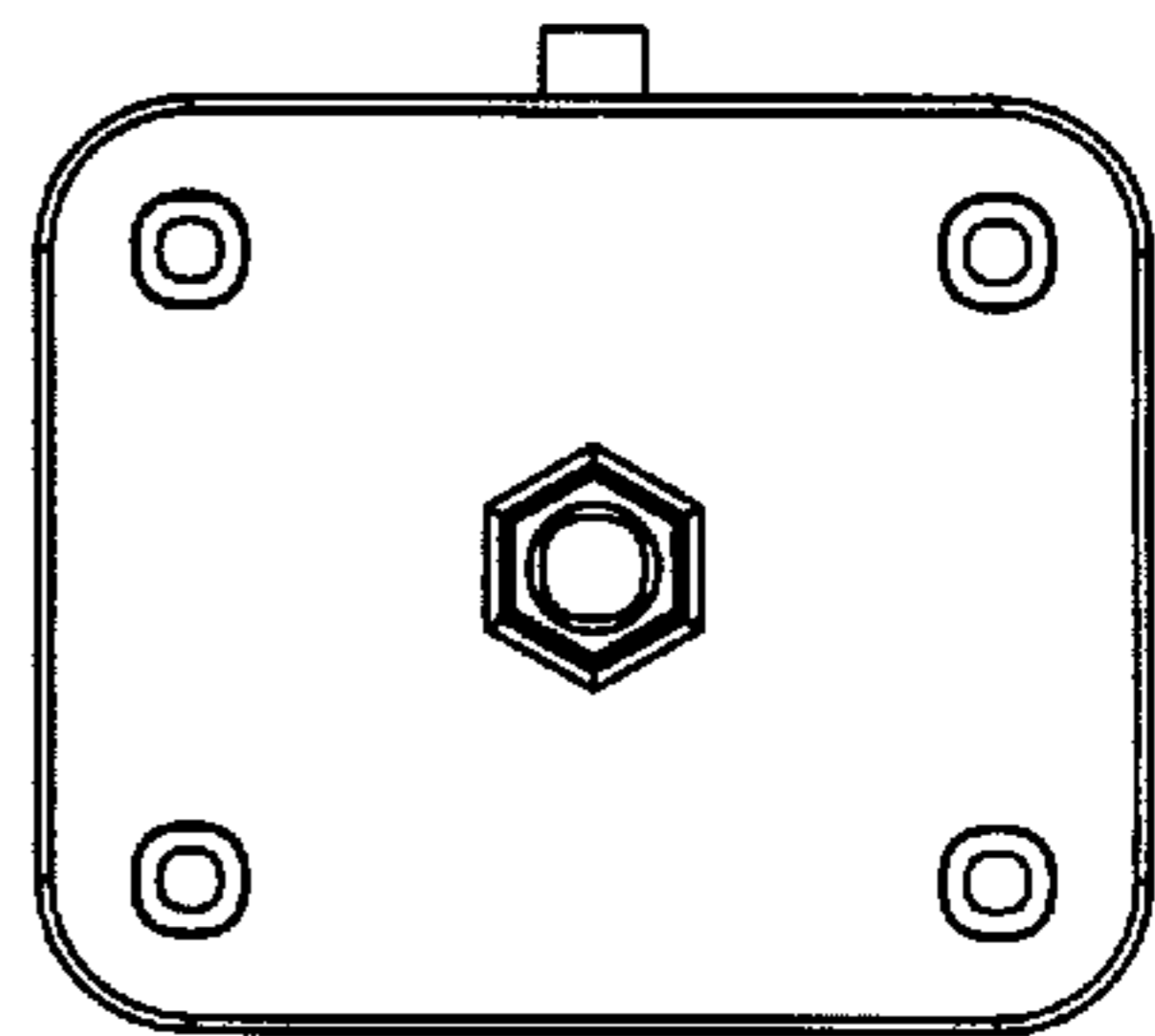


FIGURE 7

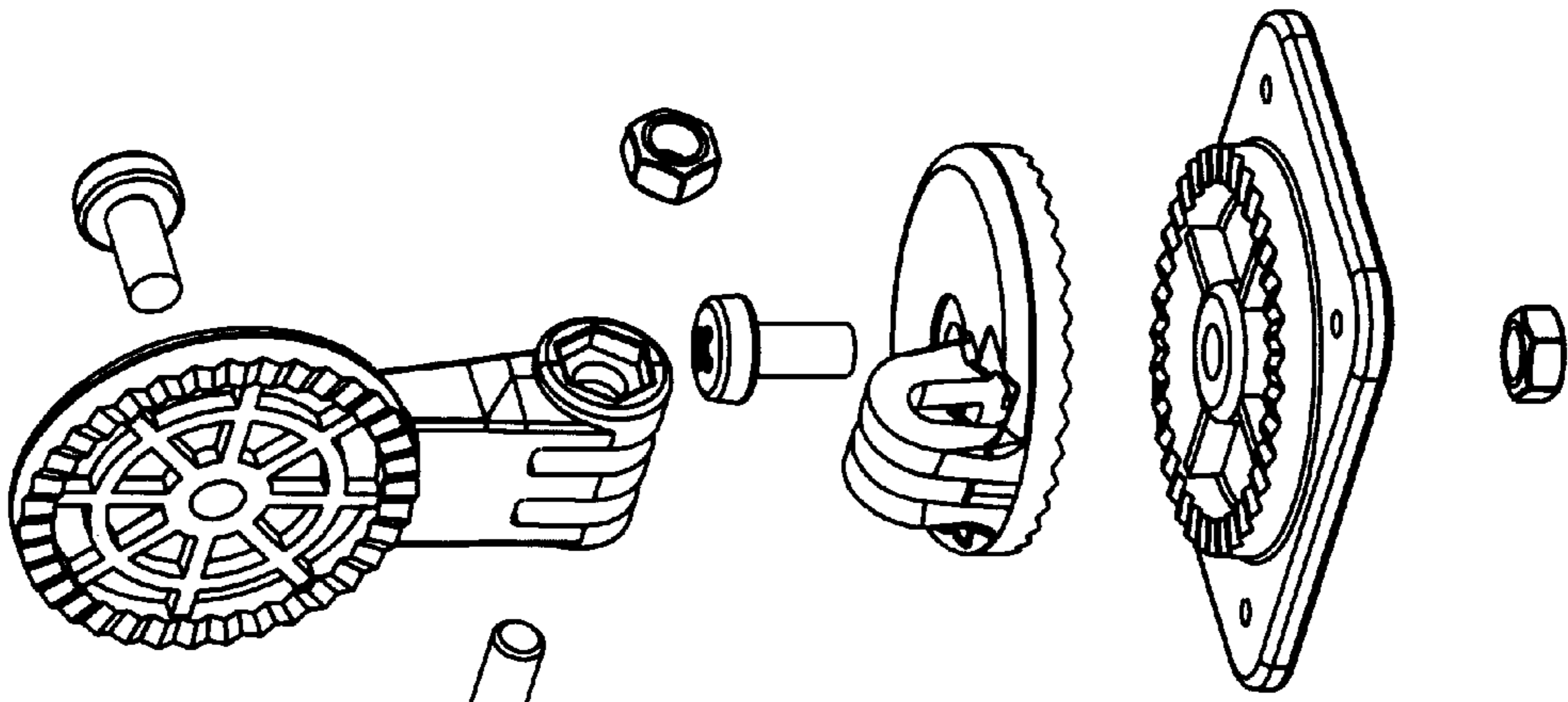


FIGURE 18

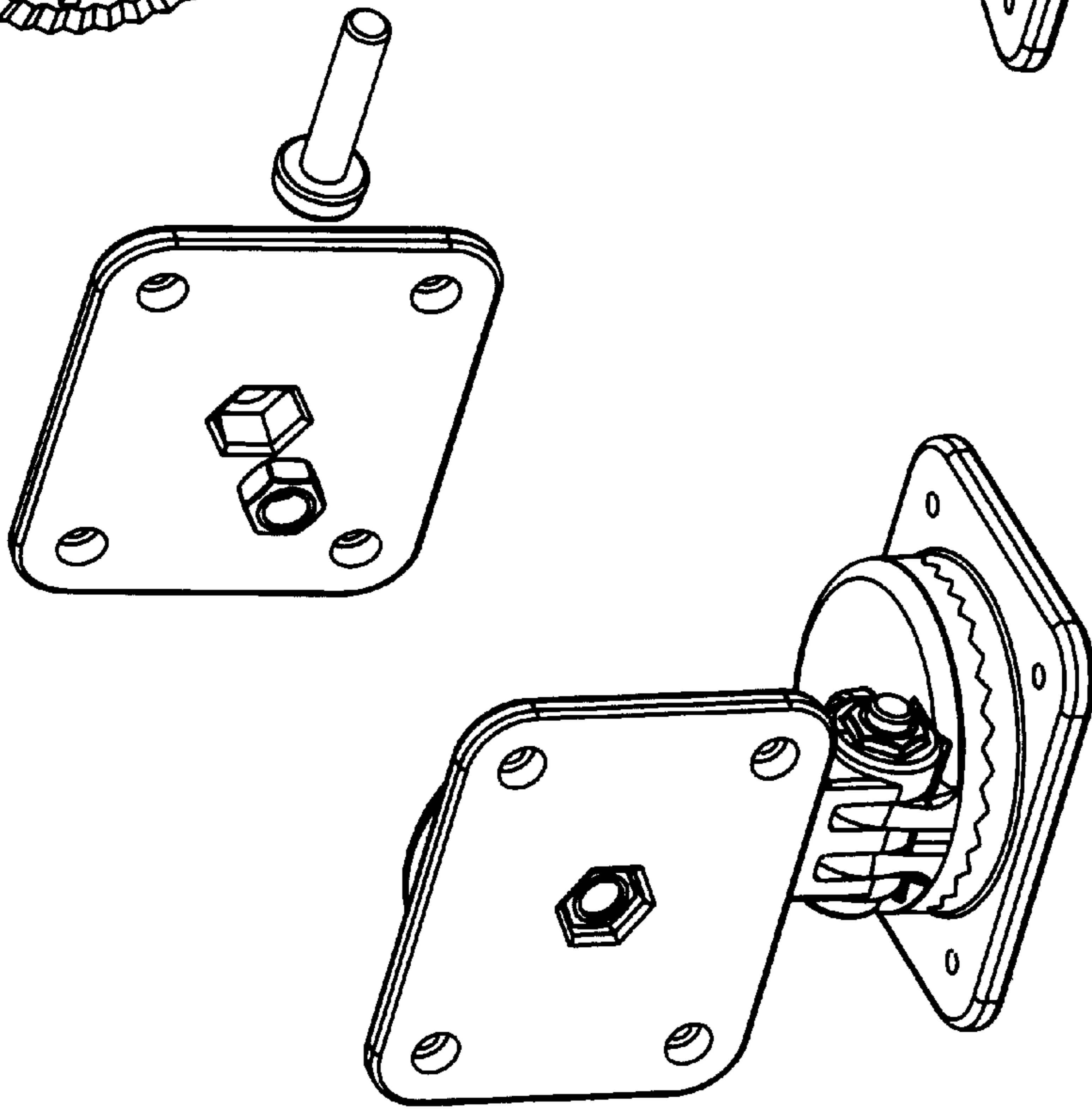


FIGURE 11

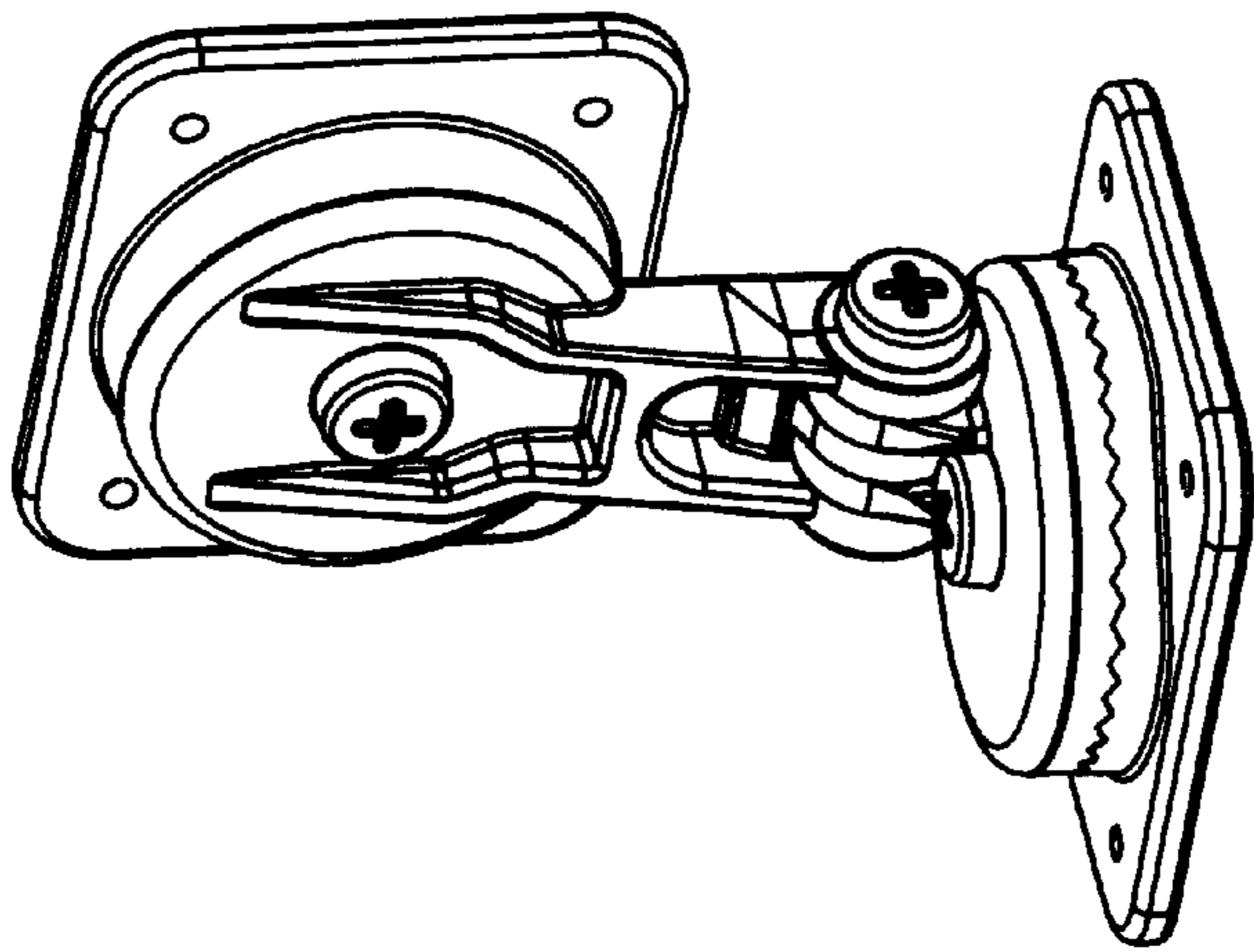


FIGURE 10

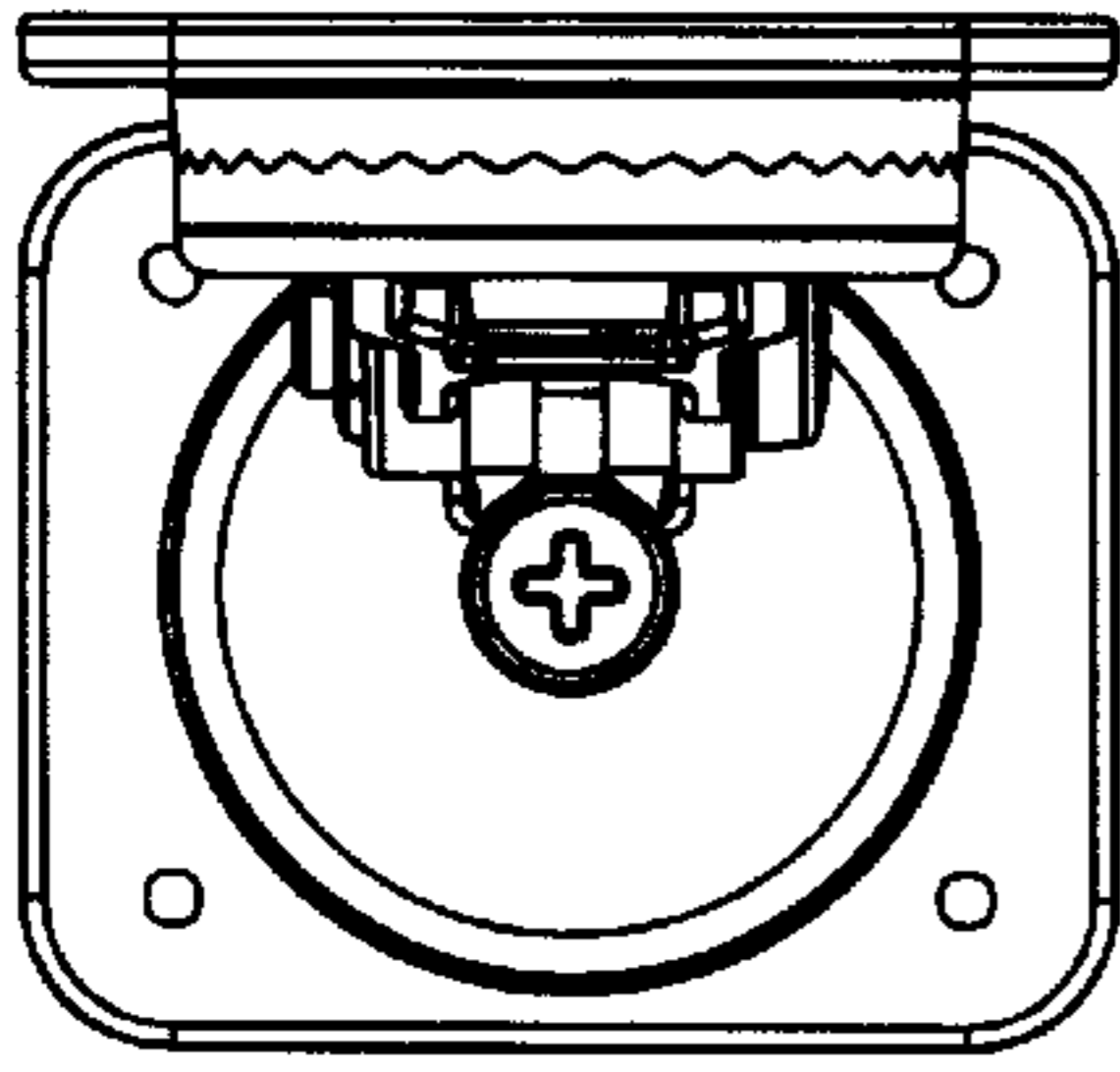


FIGURE 17

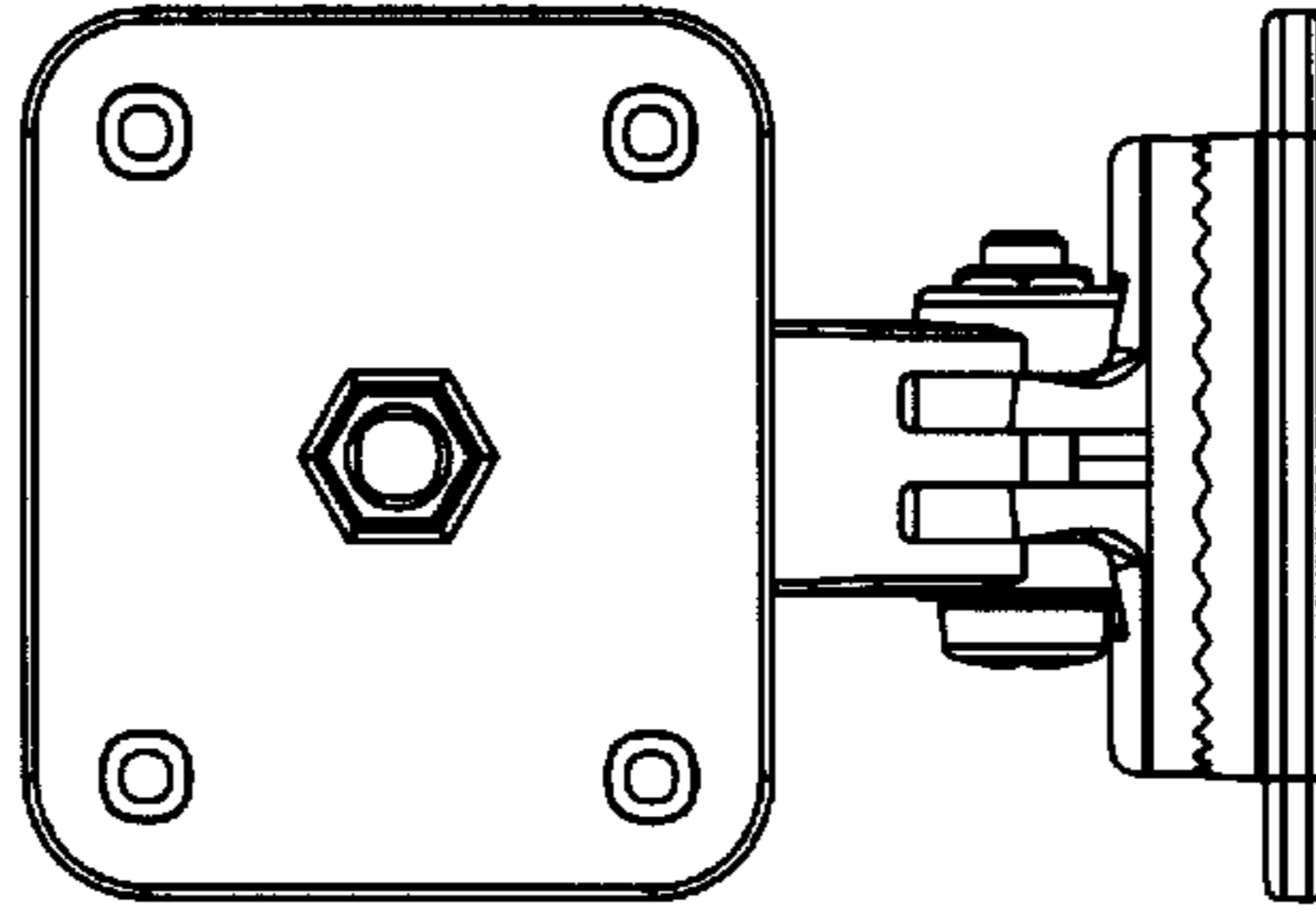


FIGURE 15

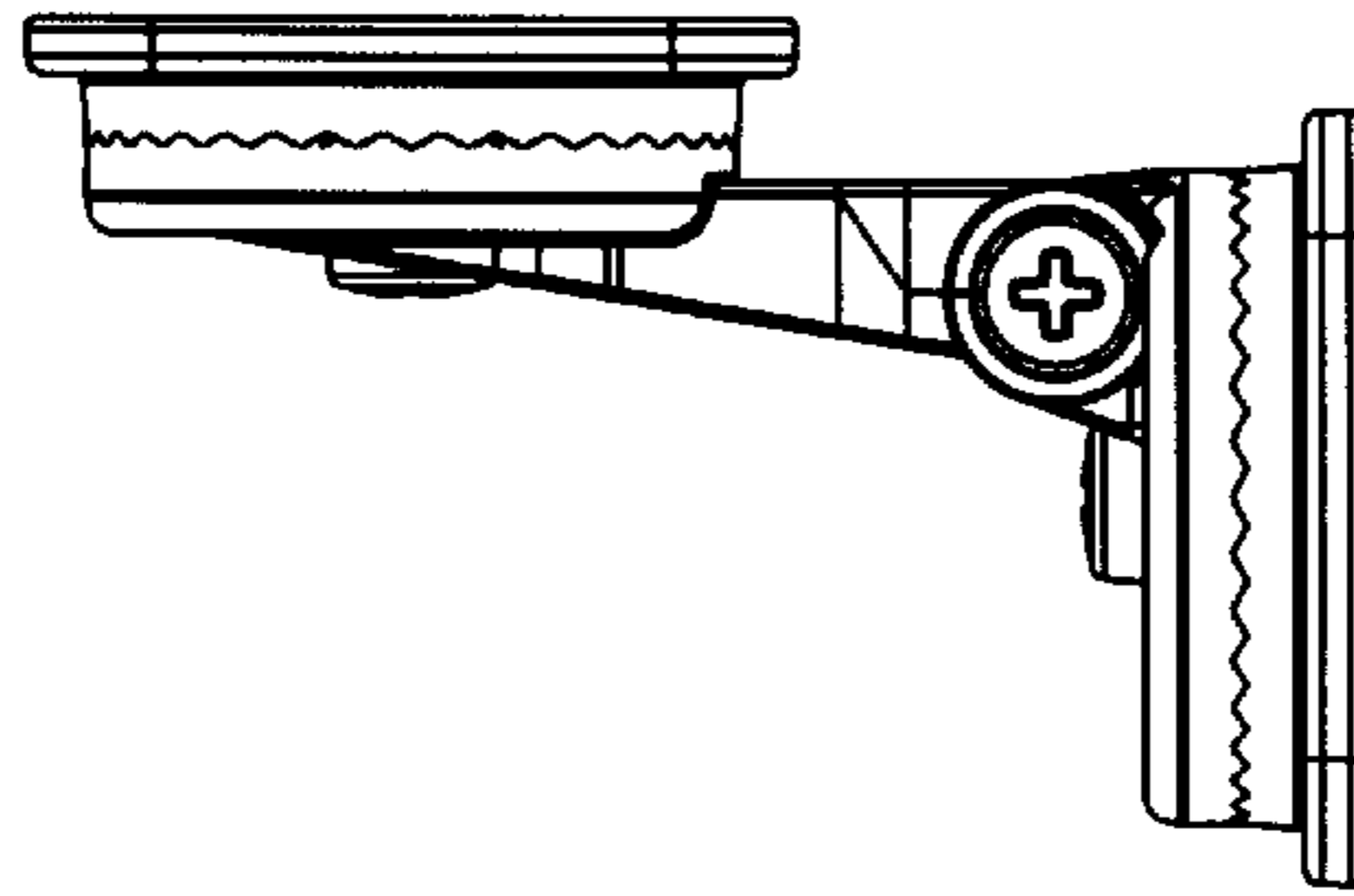


FIGURE 14

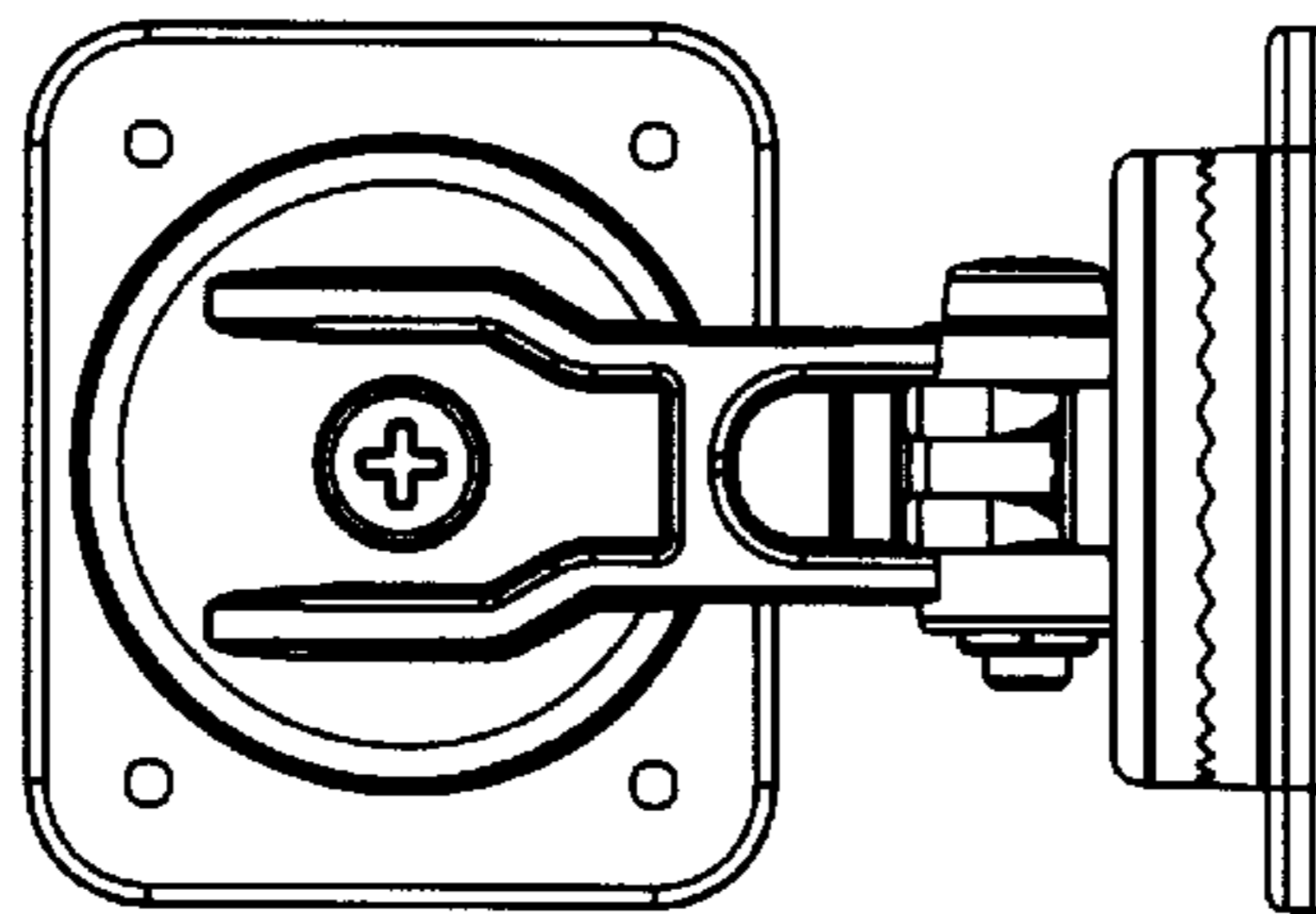


FIGURE 13

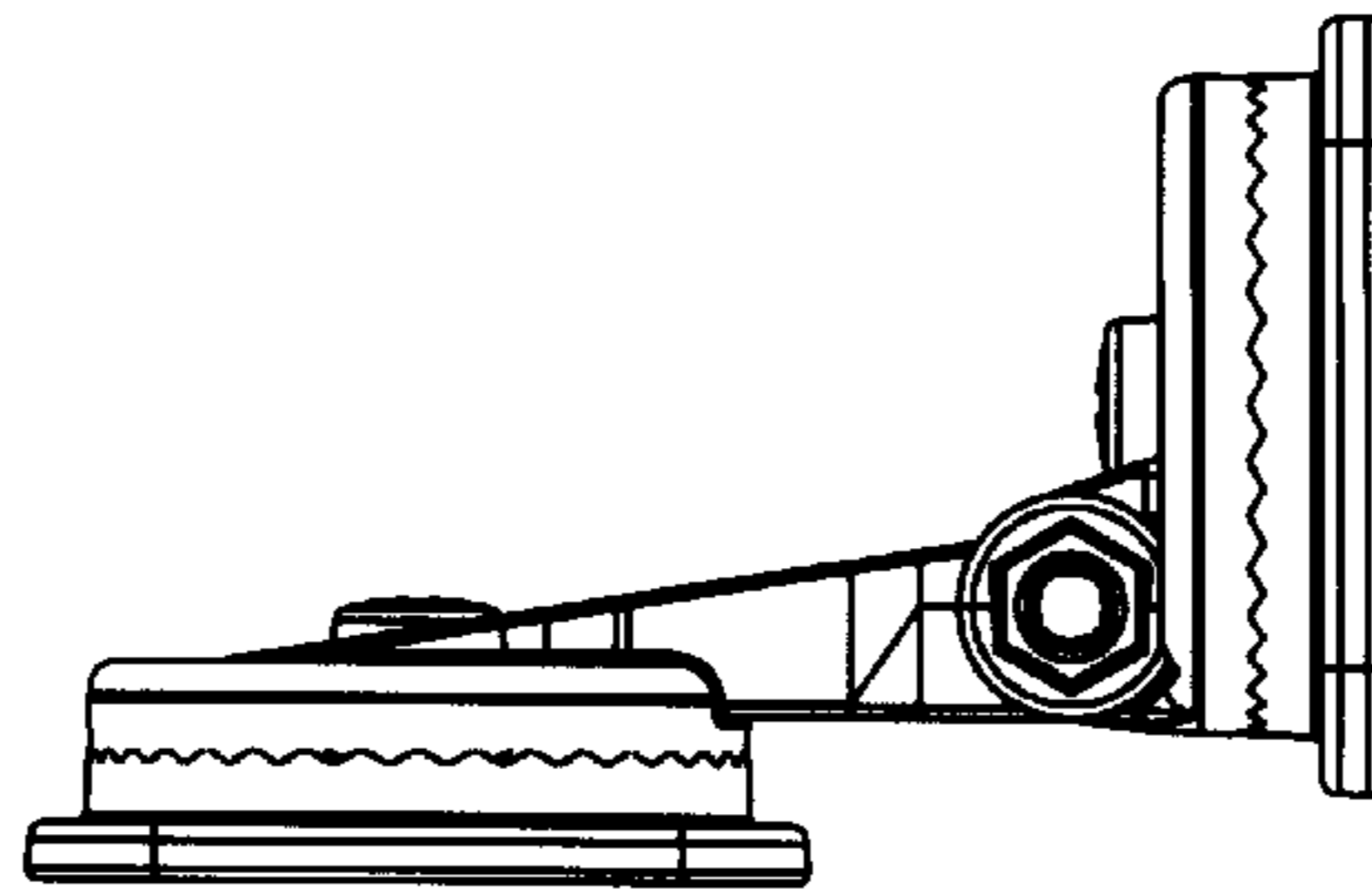


FIGURE 12

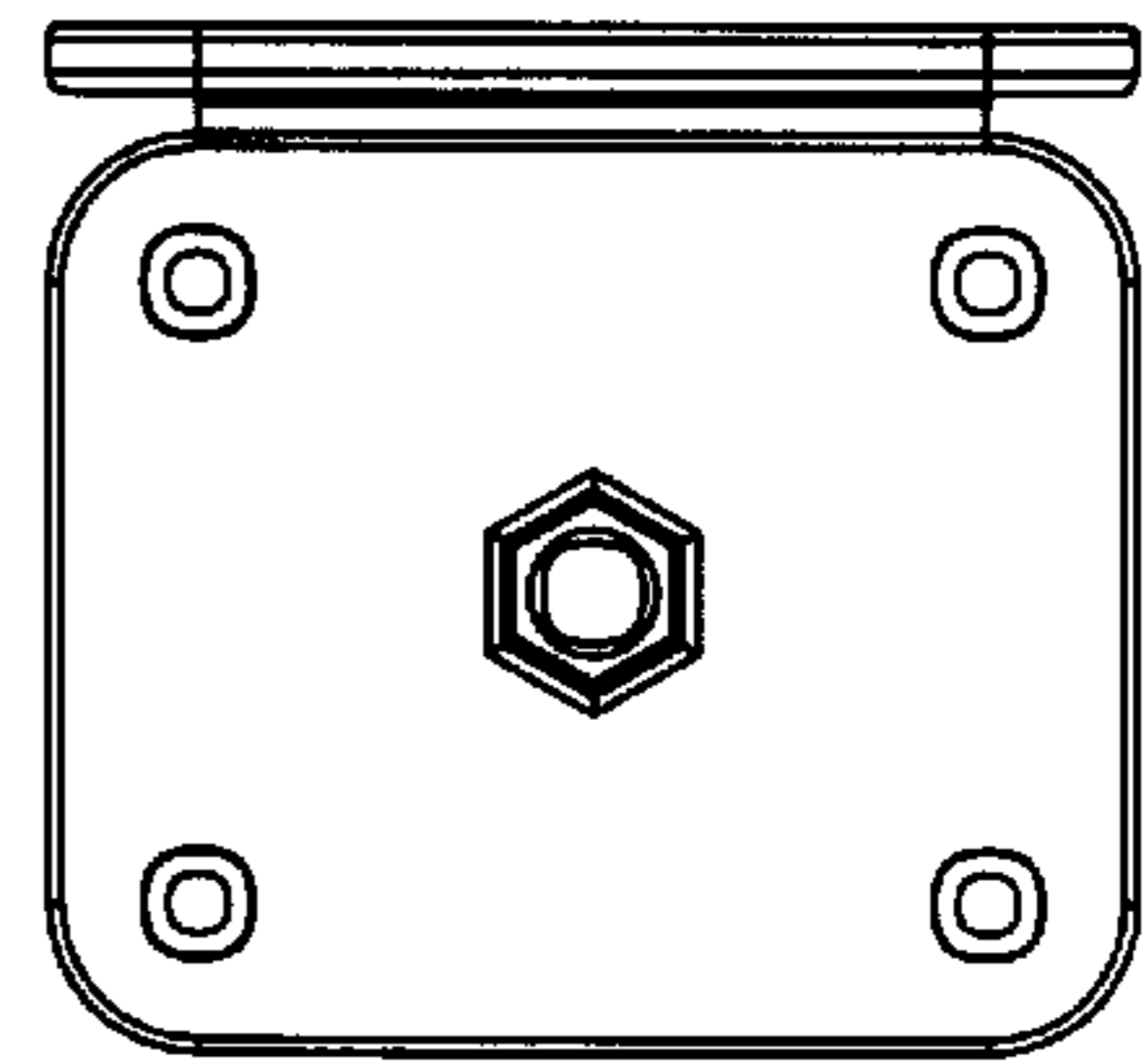


FIGURE 16