



US00D433612S

**United States Patent** [19]  
**Donaldson, Jr.**

[11] **Patent Number: Des. 433,612**

[45] **Date of Patent: \*\* Nov. 14, 2000**

[54] **IMPACT WRENCH**

[75] Inventor: **Robert D. Donaldson, Jr.**, Commerce, Ga.

[73] Assignee: **Ramtec International**, Carson City, Nev.

[\*\*] Term: **14 Years**

[21] Appl. No.: **29/114,307**

[22] Filed: **Nov. 19, 1999**

[51] **LOC (7) Cl.** ..... **08-05**

[52] **U.S. Cl.** ..... **D8/68**

[58] **Field of Search** ..... D8/68; 81/54, 81/57.13, 57.14; 178/169, 170; 403/365

[56] **References Cited**

**U.S. PATENT DOCUMENTS**

- D. 403,219 12/1998 Bosten et al. .... D8/68
- D. 404,276 12/1998 Ghode et al. .... D8/68

*Primary Examiner*—Antoine Duval Davis

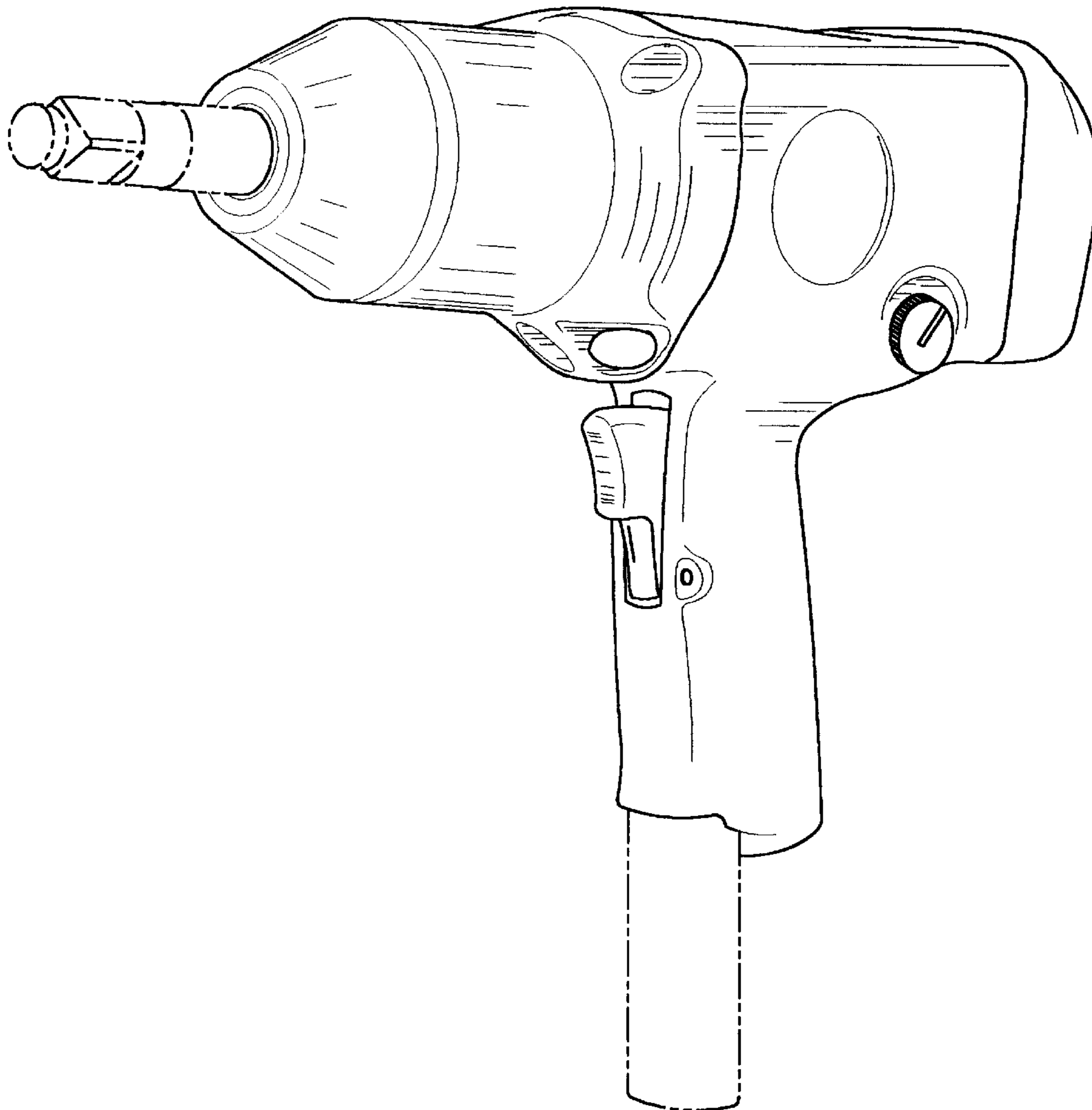
[57] **CLAIM**

The ornamental design for a impact wrench, as shown and described.

**DESCRIPTION**

FIG. 1 is a left side view of an impact wrench showing my new design; the right side view being a mirror image;  
 FIG. 2 is a rear view thereof;  
 FIG. 3 is a top view thereof;  
 FIG. 4 is a bottom view thereof;  
 FIG. 5 is a front view thereof;  
 FIG. 6 is a left side perspective view thereof; the right side perspective view being a mirror image;  
 FIG. 7 is a top perspective view thereof; and,  
 FIG. 8 is a bottom perspective view thereof.  
 The broken line showing is for illustrative purposes only and forms no part of the claimed design.

**1 Claim, 8 Drawing Sheets**



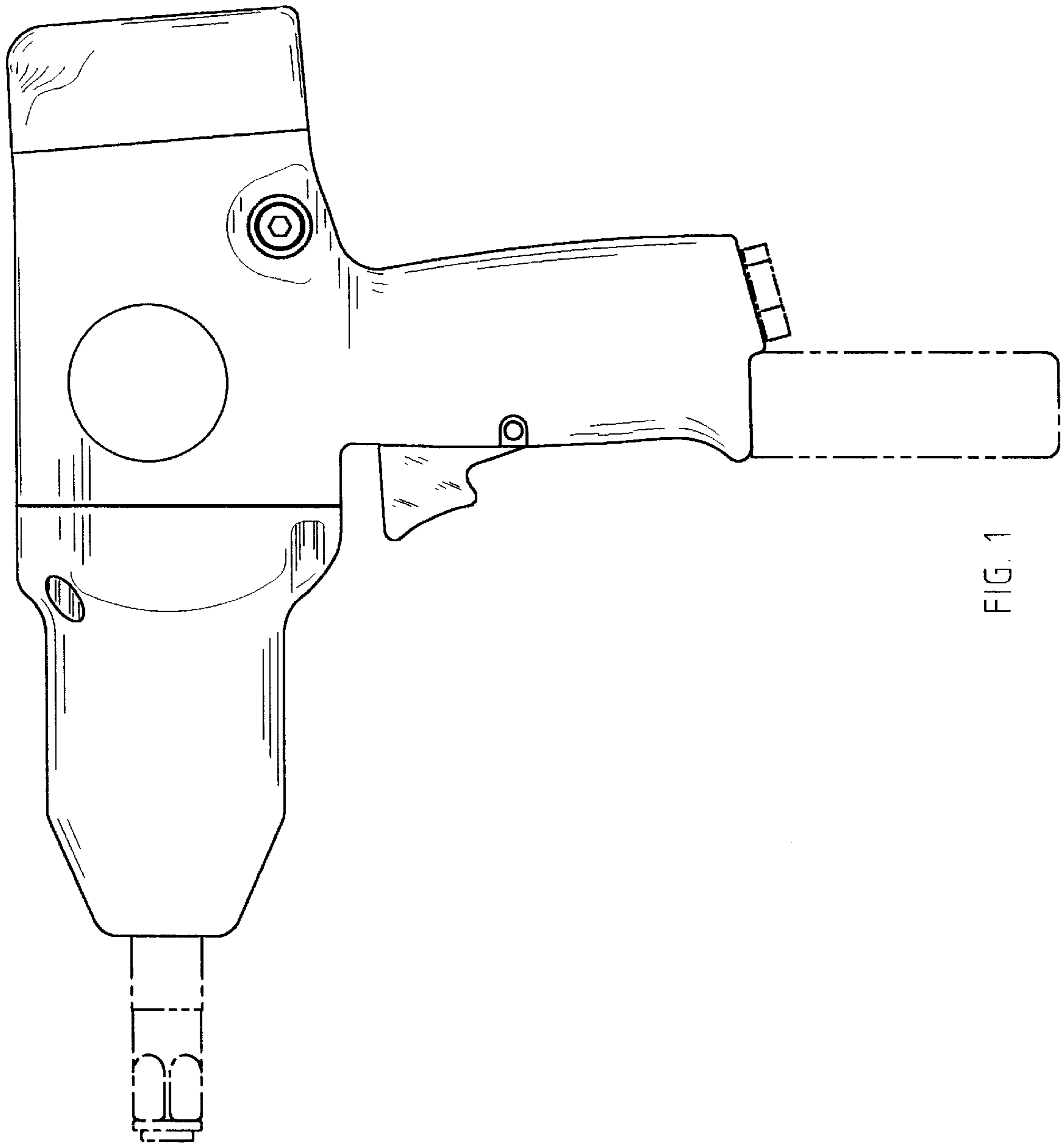


FIG. 1

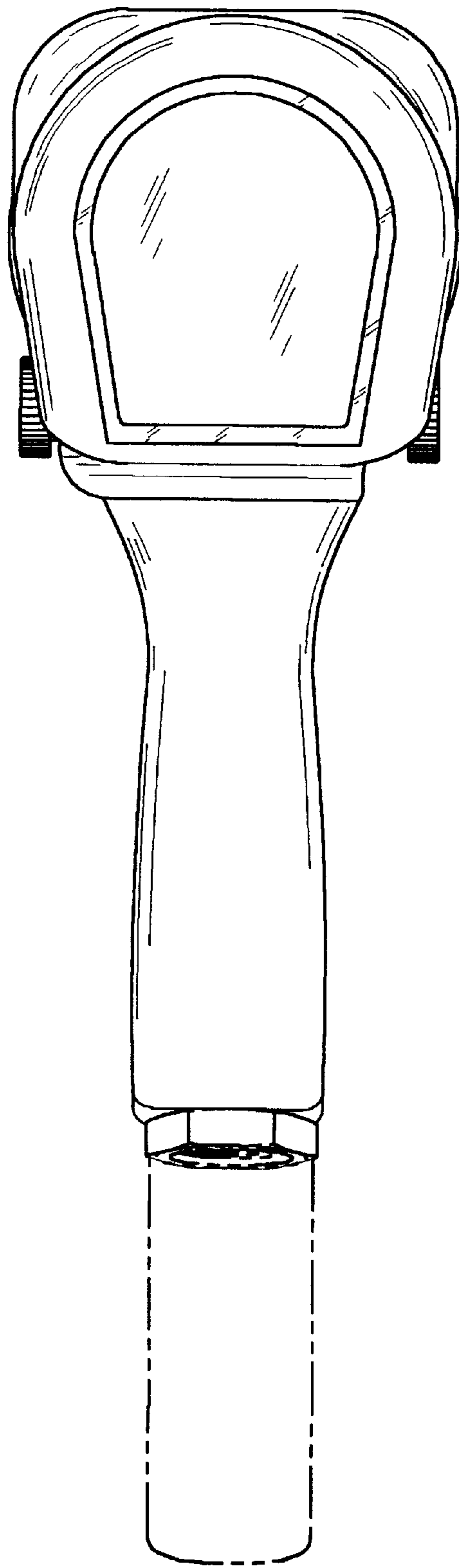


FIG.2

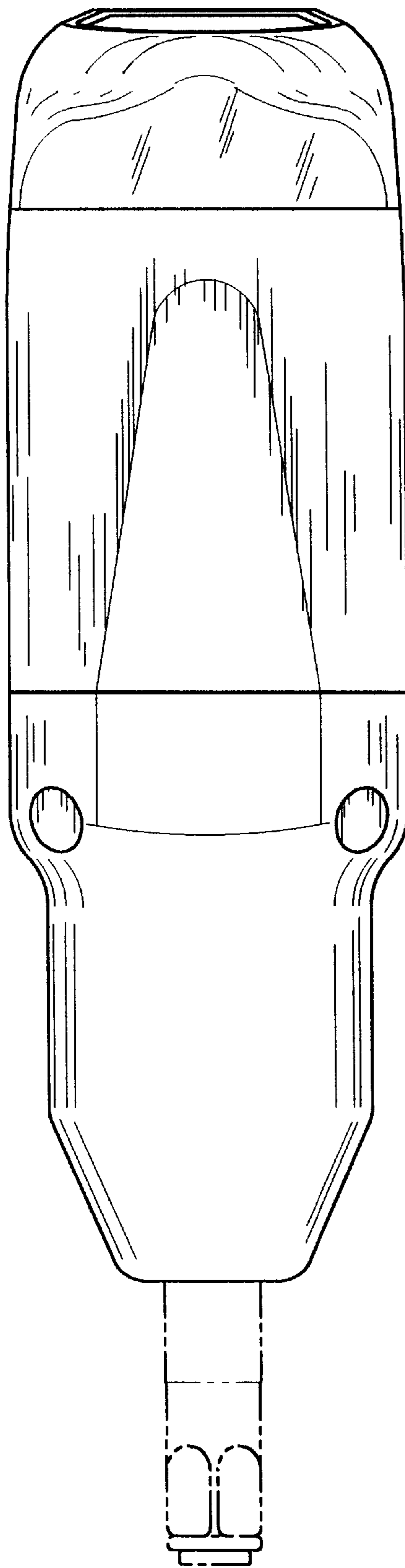


FIG. 3

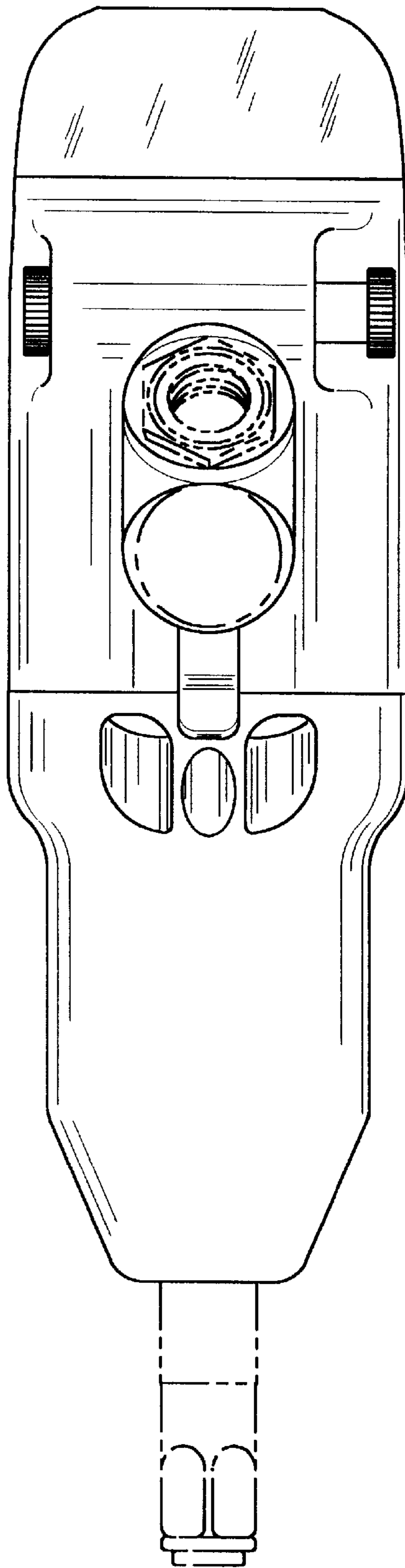


FIG. 4

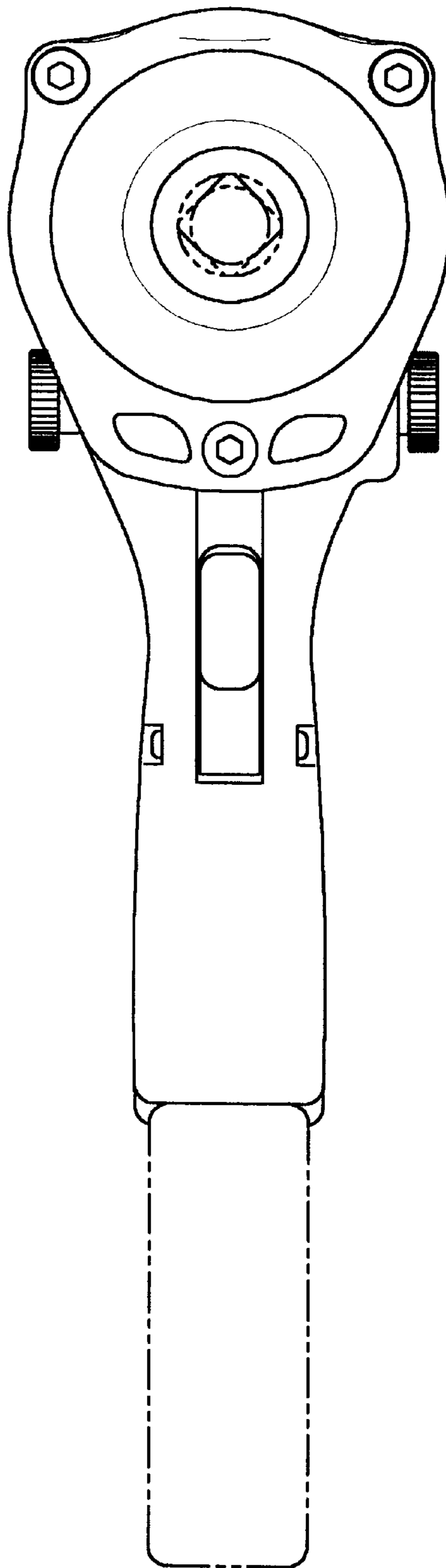


FIG. 5

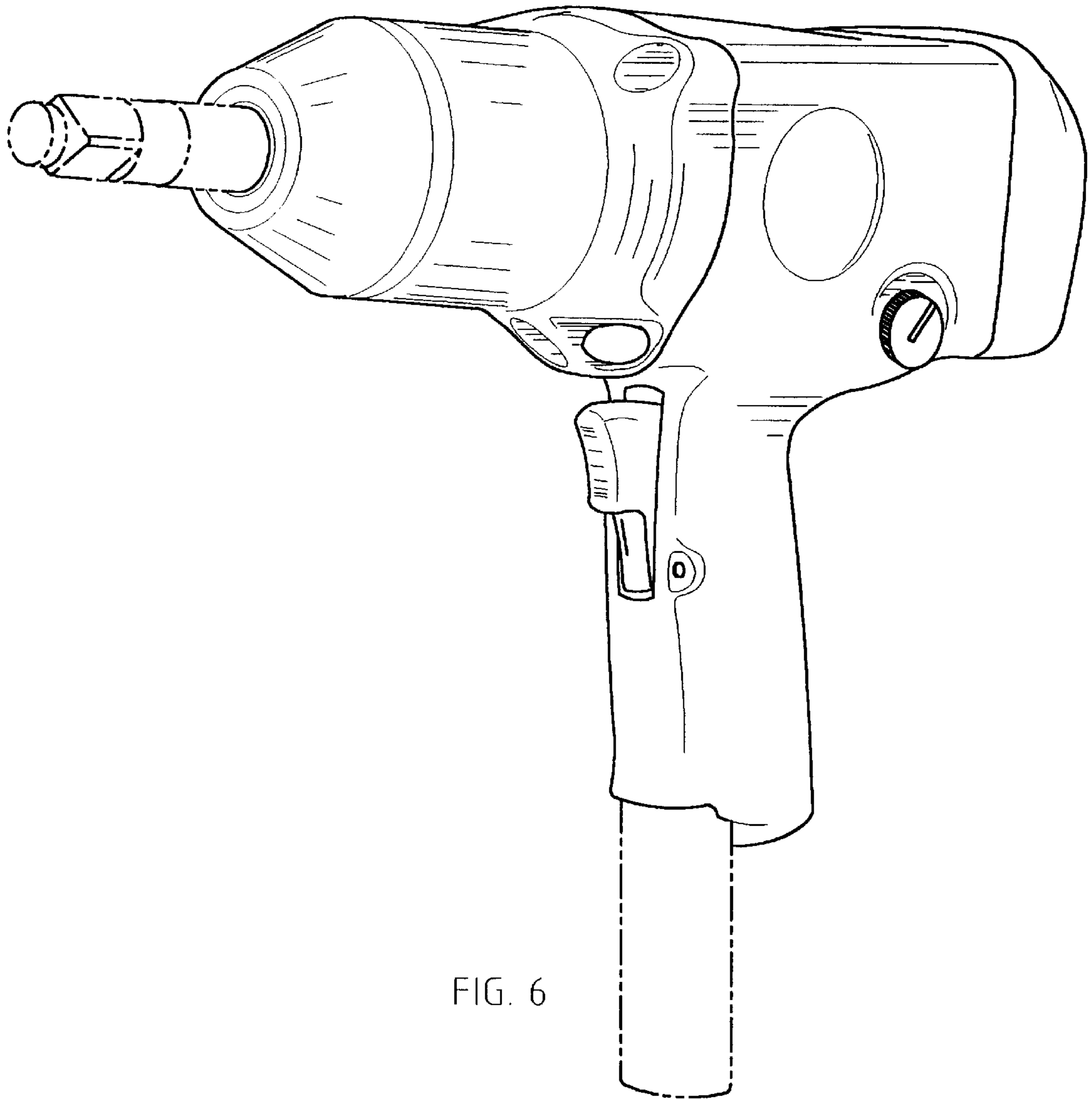


FIG. 6

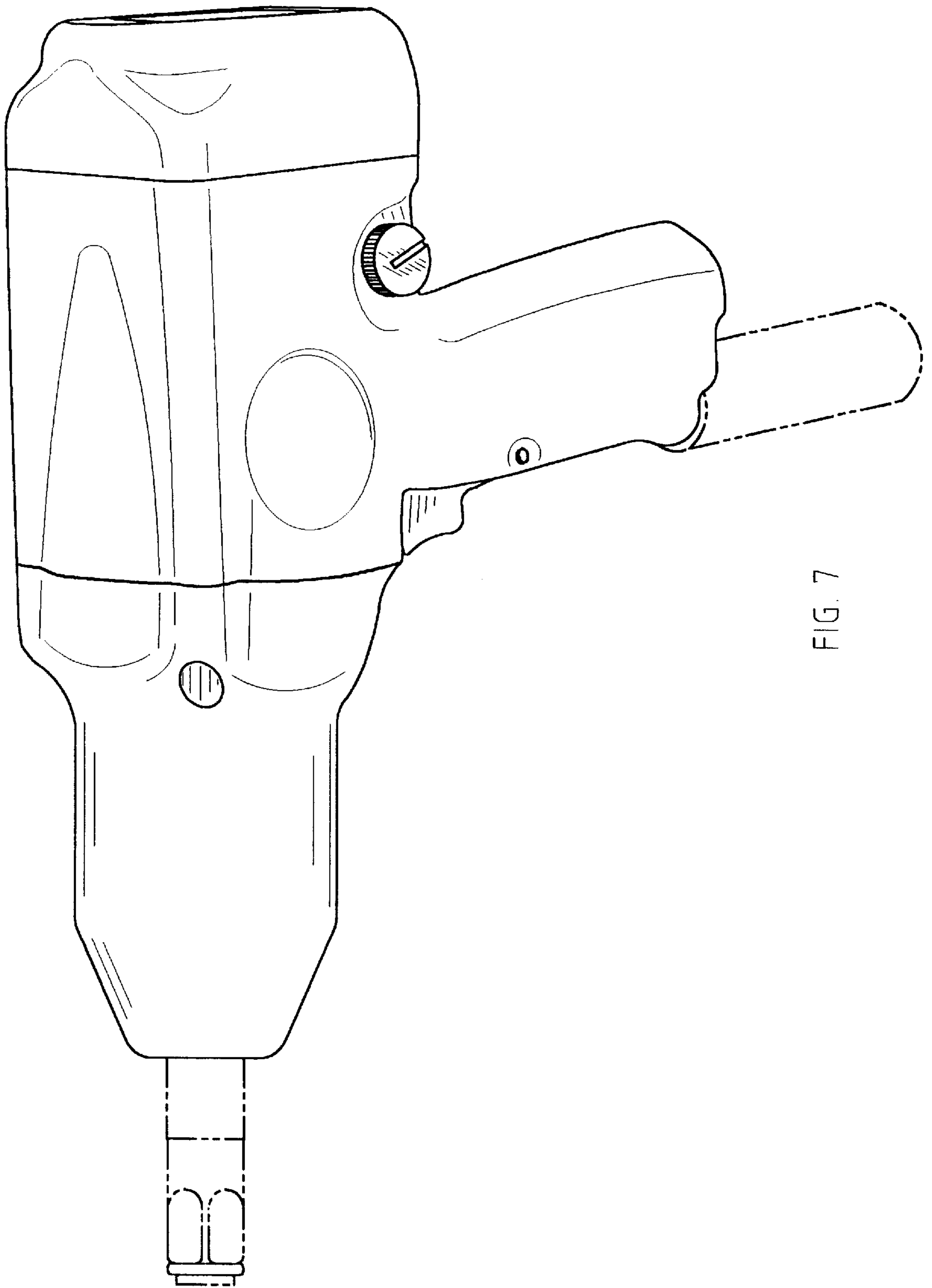


FIG. 7



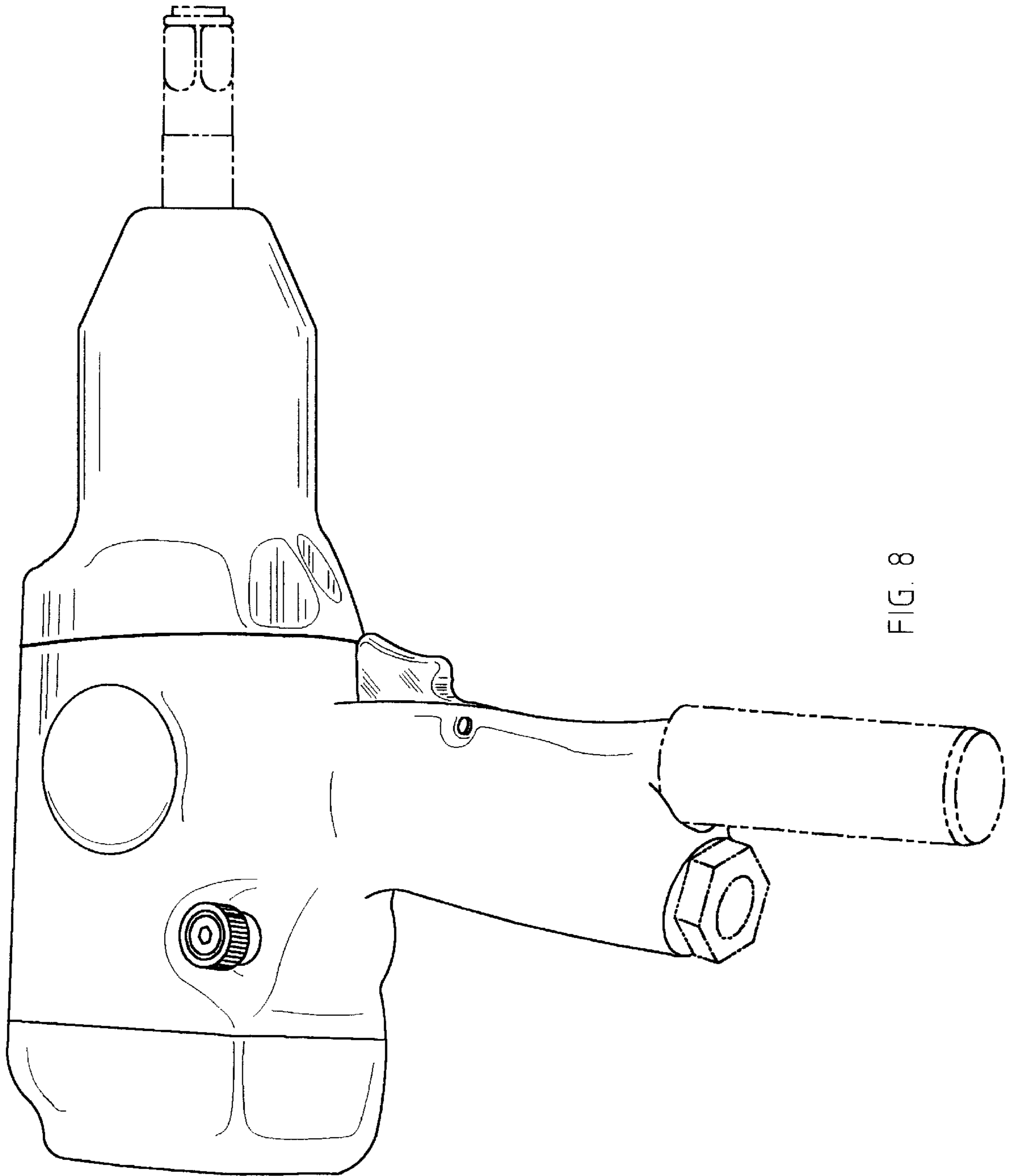


FIG. 8