



US00D433611S

United States Patent [19]
McCallops et al.

[11] **Patent Number: Des. 433,611**
[45] **Date of Patent: ** Nov. 14, 2000**

[54] **ANGLED PNEUMATIC TOOL**
[75] Inventors: **John A. McCallops**, Easton; **Richard J. Bookhout, Jr.**, Nazareth; **John E. Conrad**, Effort, all of Pa.; **Paul K. Metaxatos**, West Hartford, Conn.

D. 389,025	1/1998	Sung	D8/61
D. 415,180	10/1999	Rosanwo	D15/140
2,924,114	2/1960	Hitt et al.	477/174
3,257,877	6/1966	Ulrich et al.	81/57.13
4,748,872	6/1988	Brown	81/57.26
4,822,264	4/1989	Kettner	418/150
4,993,288	2/1991	Anderson et al.	81/57.39

[73] Assignee: **Ingersoll-Rand Company**, Woodcliff Lake, N.J.

Primary Examiner—Martie K. Holtje
Attorney, Agent, or Firm—Leon Nigohosian, Jr.

[**] Term: **14 Years**

[57] **CLAIM**

[21] Appl. No.: **29/118,513**

The ornamental design for an angled pneumatic tool, as shown and described.

[22] Filed: **Feb. 10, 2000**

DESCRIPTION

[51] **LOC (7) Cl.** **08-05**
[52] **U.S. Cl.** **D8/61**
[58] **Field of Search** D15/140; D8/61,
D8/62, 68, 70, 83, 94, 97, 107, 303, DIG. 7;
81/52, 54, 55, 57, 57.13, 57.26–57.29,
57.39, 177.1, 177.8, 177.9, 177.85, 463,
464, 470, 489, DIG. 12; 418/150; 173/90–93,
104, 128, 178, 213; 403/83, 84; 477/174

FIG. 1 is an isometric view of an angled pneumatic tool showing our design;
FIG. 2 is a bottom view of FIG. 1;
FIG. 3 is a top view of FIG. 1;
FIG. 4 is a rear elevational view of FIG. 1;
FIG. 5 is a front elevational view of FIG. 1;
FIG. 6 is a left side view of FIG. 1; and,
FIG. 7 is a right side view of FIG. 1.

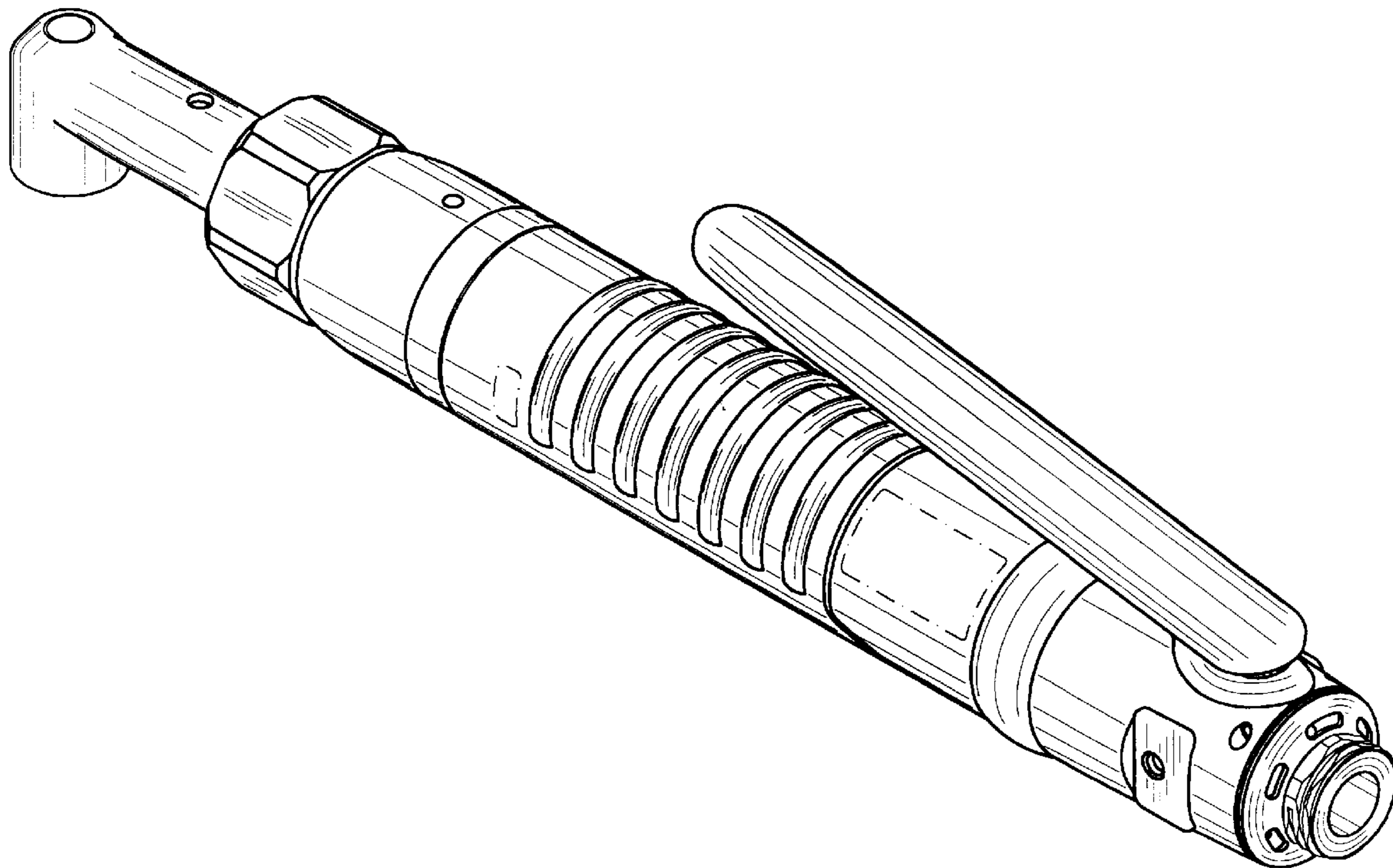
[56] **References Cited**

The structural features depicted by means of broken lines in the drawing have been shown for illustrative purposes only and form no part of the claimed design.

U.S. PATENT DOCUMENTS

D. 293,073	12/1987	Kurihara et al.	D8/61
D. 377,302	1/1997	Kazamaki et al.	D8/61

1 Claim, 3 Drawing Sheets



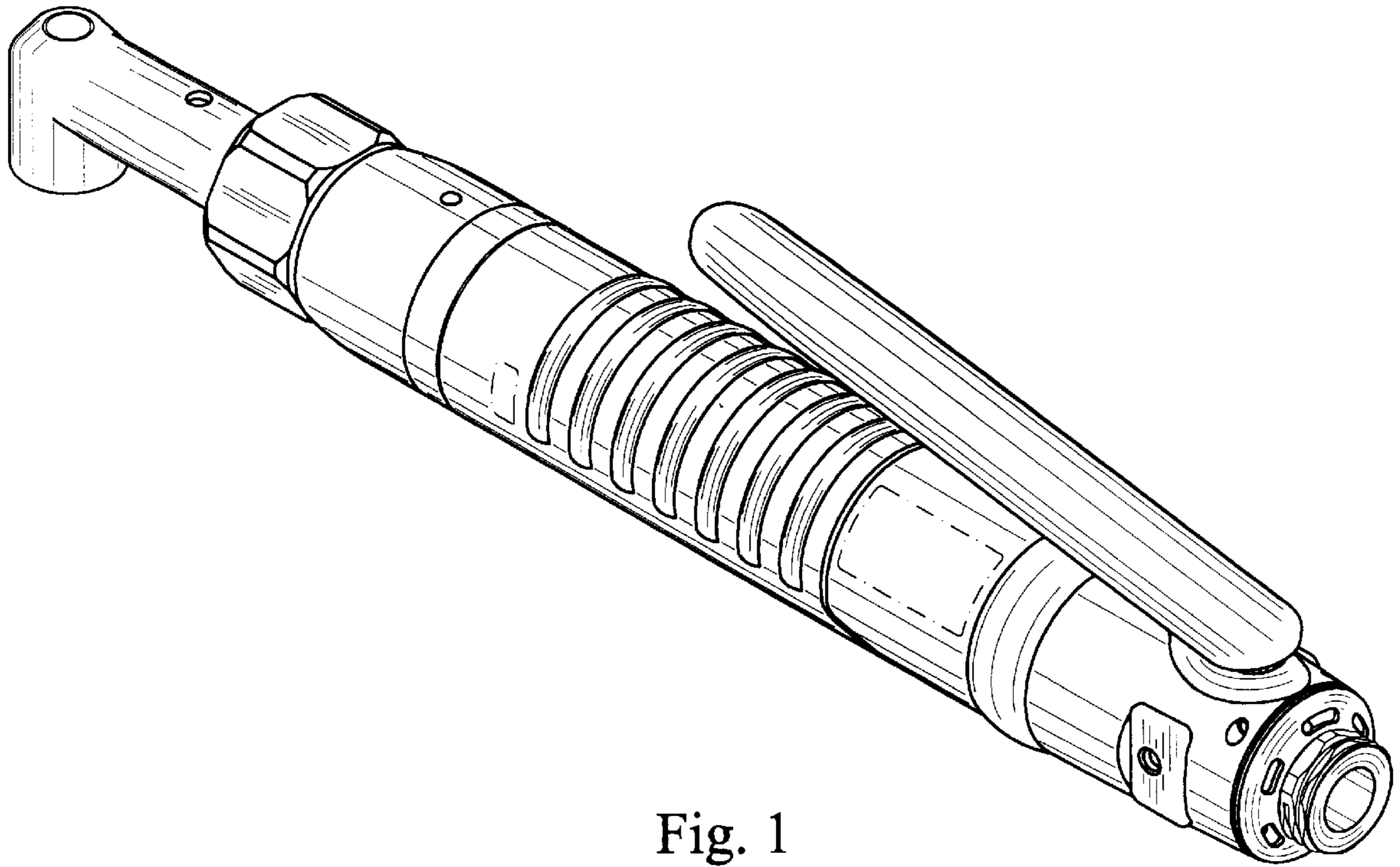


Fig. 1

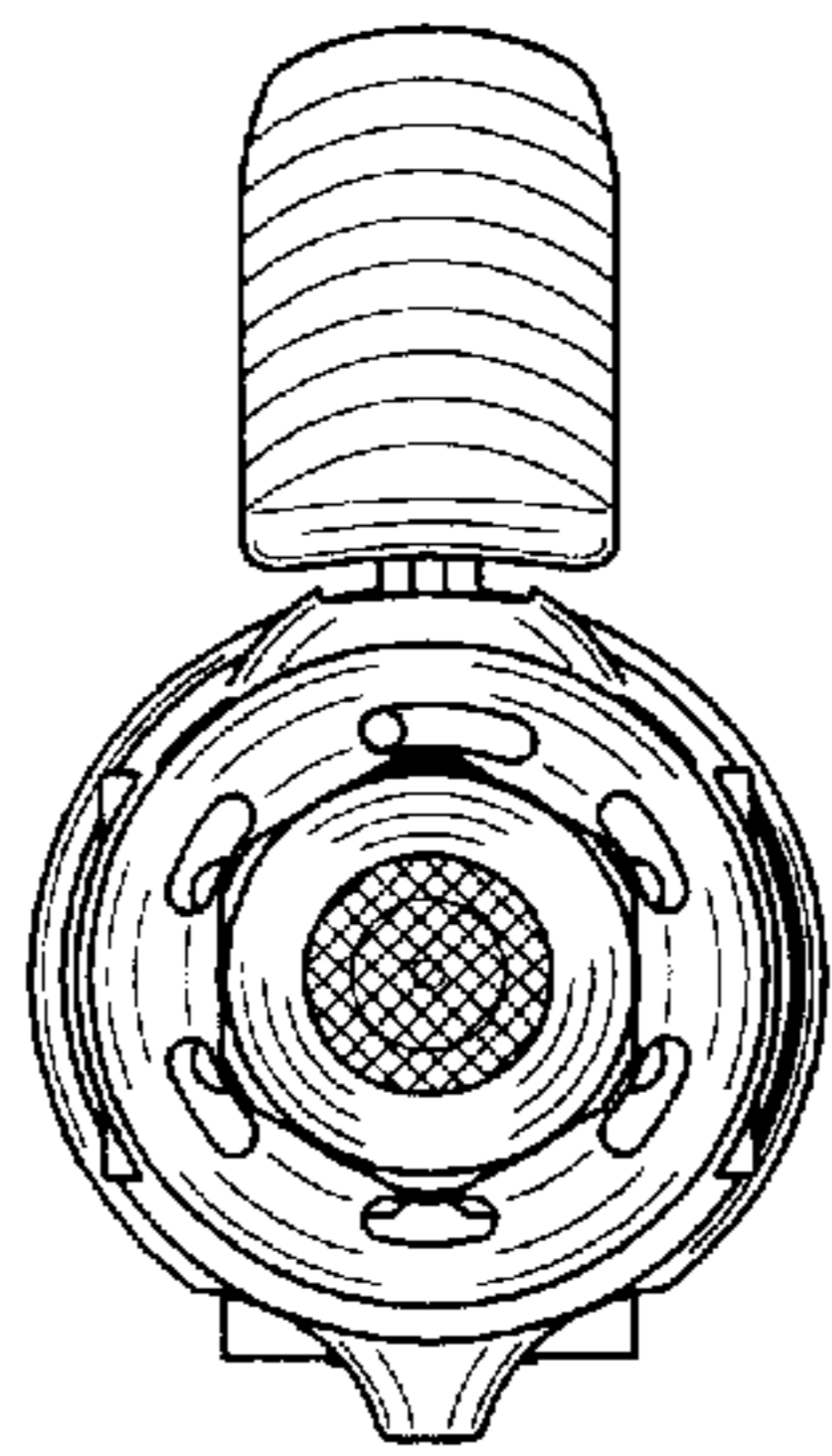


Fig. 2

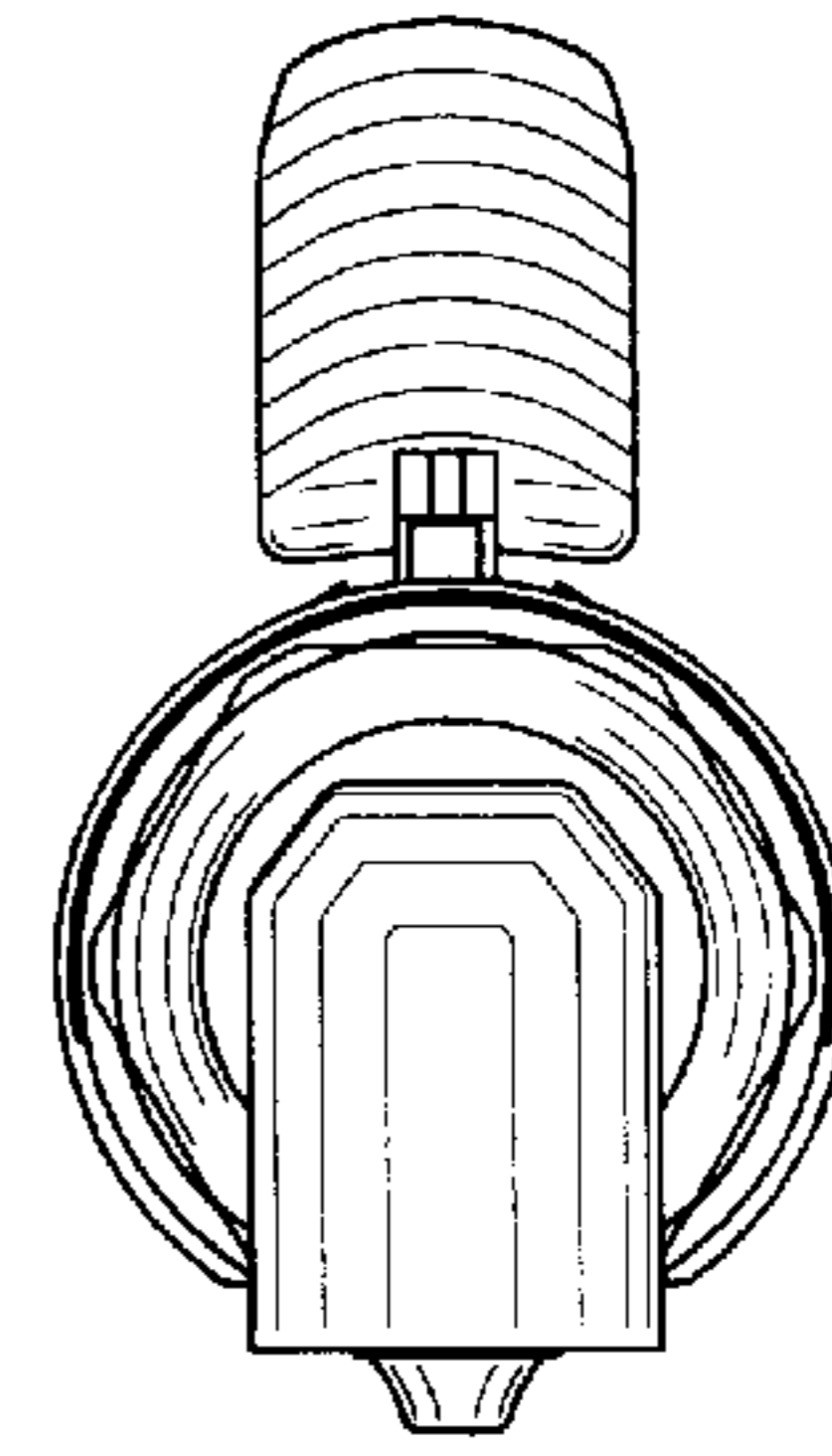


Fig. 3

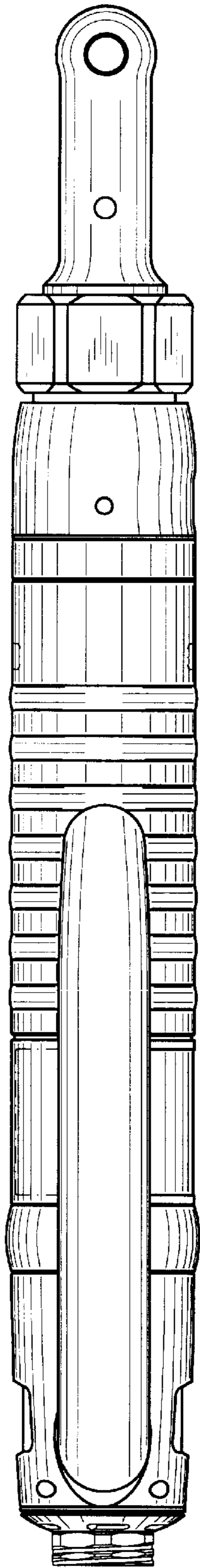


Fig. 4

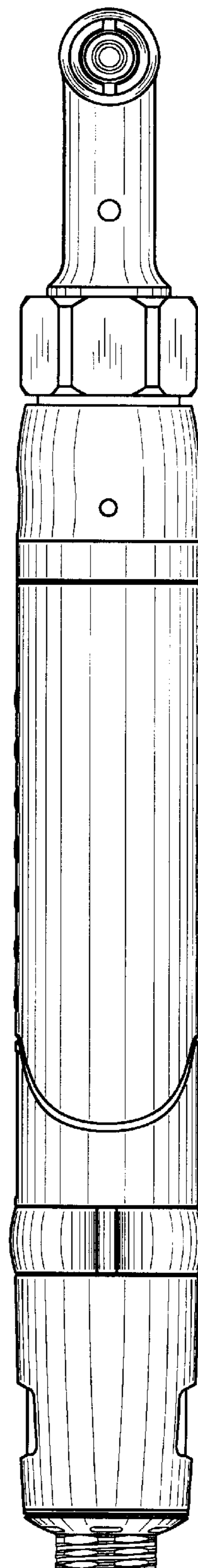


Fig. 5

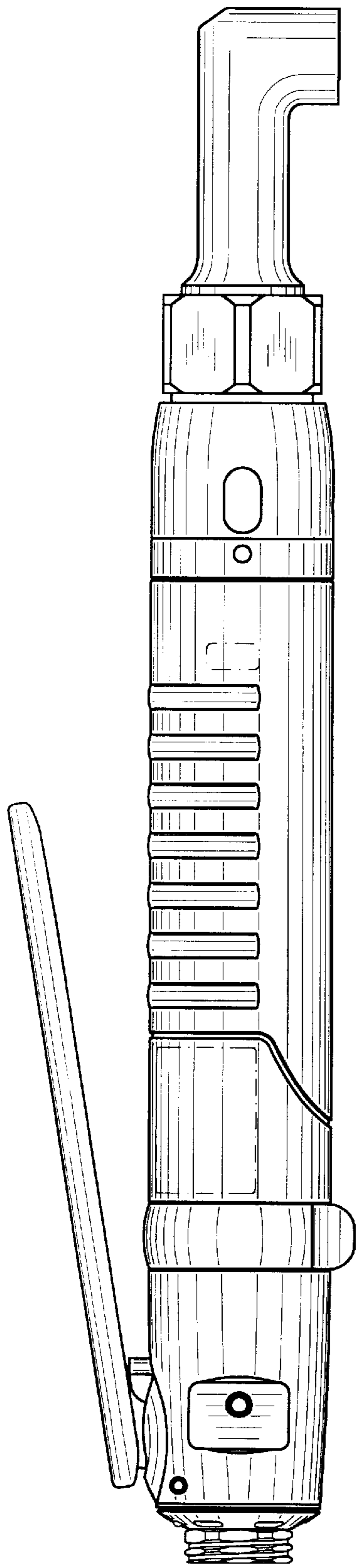


Fig. 6

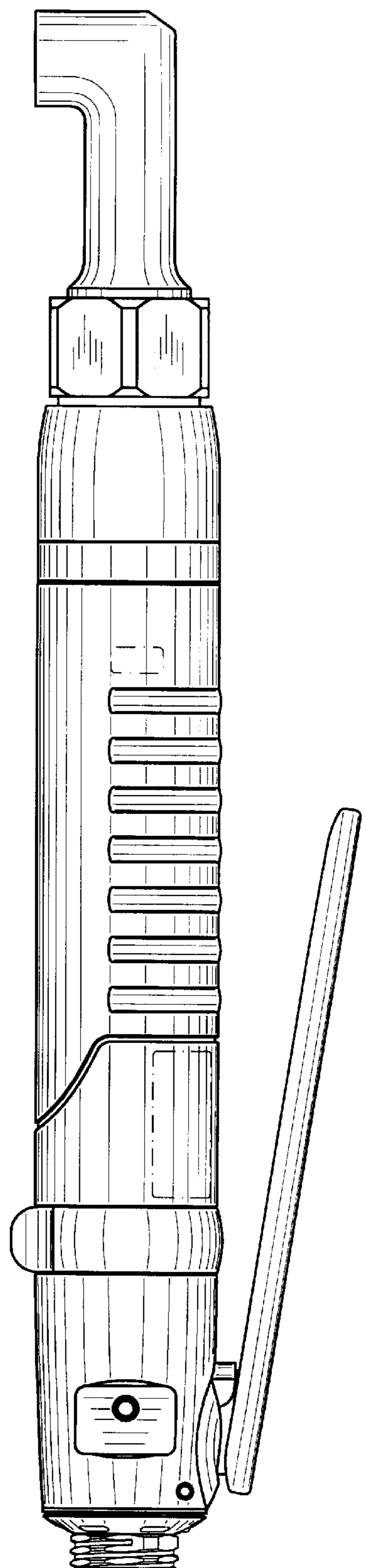


Fig. 7