



US00D433610S

# United States Patent [19]

Heinrichs et al.

[11] Patent Number: **Des. 433,610**

[45] Date of Patent: **\*\* Nov. 14, 2000**

[54] PNEUMATIC TOOL

[75] Inventors: **Kevin Heinrichs**, Lopatcong, N.J.;  
**Mario Craciun**, Bethlehem, Pa.;  
**Douglas E. Souls**, Hackettstown, N.J.;  
**Paul K. Metaxatos**, West Hartford,  
Conn.

[73] Assignee: **Ingersoll-Rand Company**, Woodcliff  
Lake, N.J.

[\*\*] Term: **14 Years**

[21] Appl. No.: **29/118,510**

[22] Filed: **Feb. 10, 2000**

[51] LOC (7) Cl. .... **08-05**

[52] U.S. Cl. .... **D8/61**

[58] Field of Search ..... D15/140; D8/61,  
D8/62, 68, 70, 83, 94, 97, 107, 303, DIG. 7;  
81/52, 54, 55, 57, 57.13, 57.26-57.29,  
57.39, 177.1, 177.8, 177.9, 177.85, 463,  
464, 470, 489; 418/150; 173/90-93, 104,  
128, 178, 213; 403/83, 84; 477/174

[56] **References Cited**

### U.S. PATENT DOCUMENTS

D. 40,285 8/1909 Gendre ..... D8/61

D. 316,216 4/1991 Gierke et al. .... D8/61  
D. 337,505 7/1993 Ming-Chang ..... D8/303  
D. 380,131 6/1997 Sung ..... D8/61  
D. 380,949 7/1997 Sung ..... D8/61  
D. 387,960 12/1997 Sung ..... D8/61  
2,924,114 2/1960 Hitt et al. .... 477/164  
4,821,611 4/1989 Izumisawa ..... 81/464  
5,784,934 7/1998 Izumisawa ..... 81/57.26

*Primary Examiner*—Martie K. Holtje  
*Attorney, Agent, or Firm*—Leon Nigohosian, Jr.

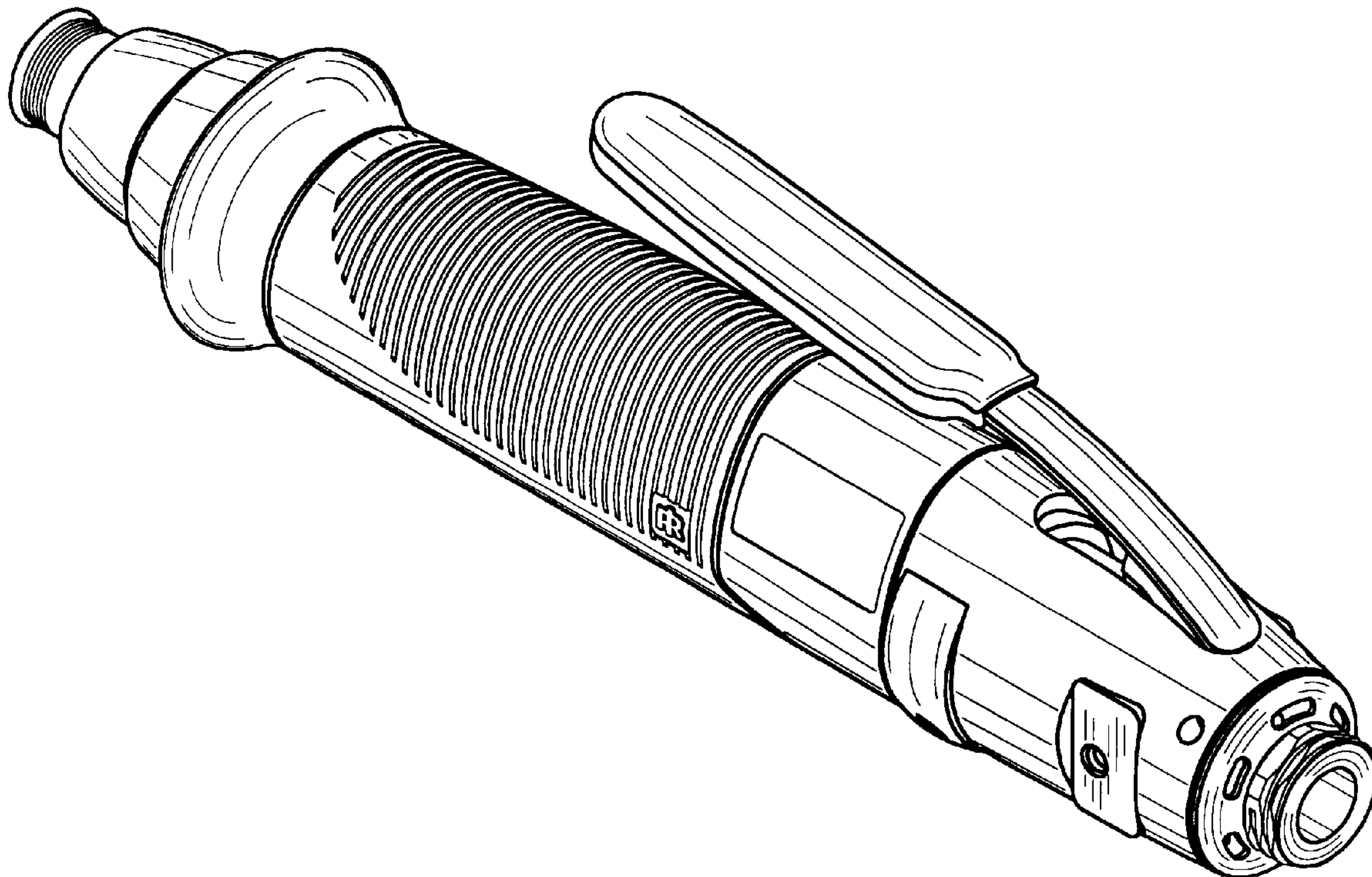
### [57] CLAIM

The ornamental design of a pneumatic tool, as shown and described.

### DESCRIPTION

FIG. 1 is an isometric view of a pneumatic tool showing our design;  
FIG. 2 is a bottom view of FIG. 1;  
FIG. 3 is a top view of FIG. 1;  
FIG. 4 is a rear elevational view of FIG. 1;  
FIG. 5 is a front elevational view of FIG. 1;  
FIG. 6 is a right side view of FIG. 1; and,  
FIG. 7 is a left side view of FIG. 1.

**1 Claim, 3 Drawing Sheets**



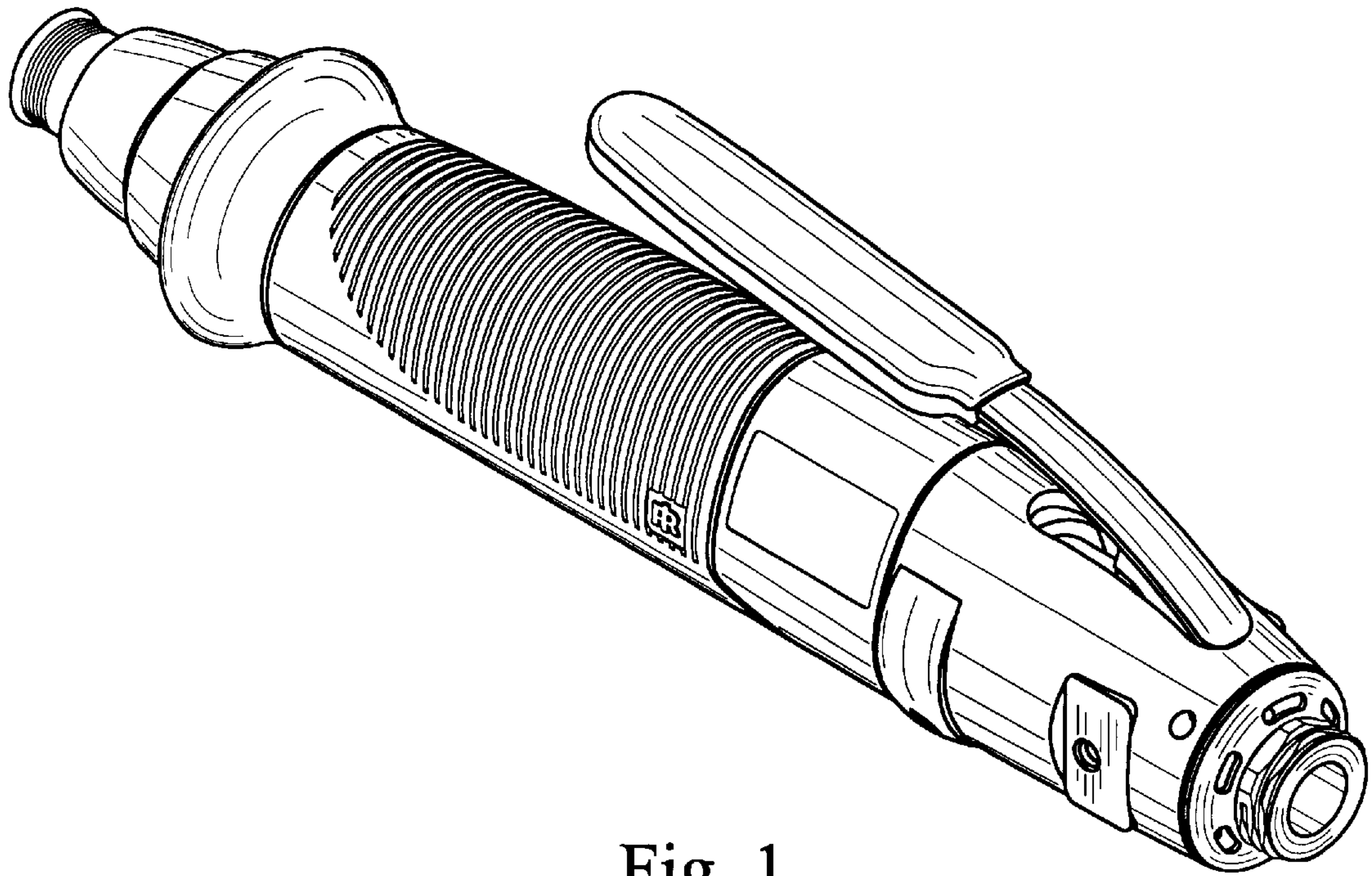


Fig. 1

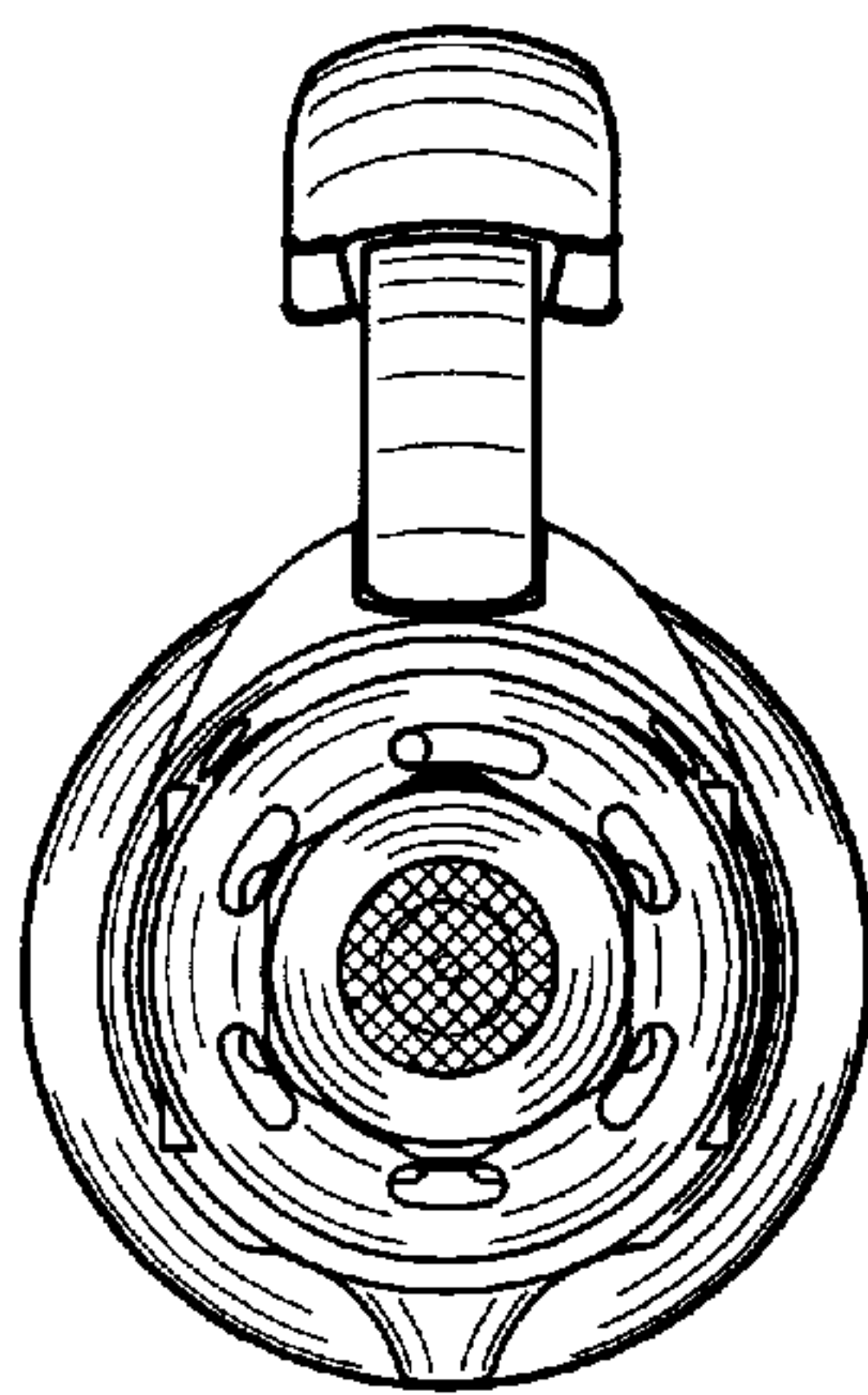


Fig. 2

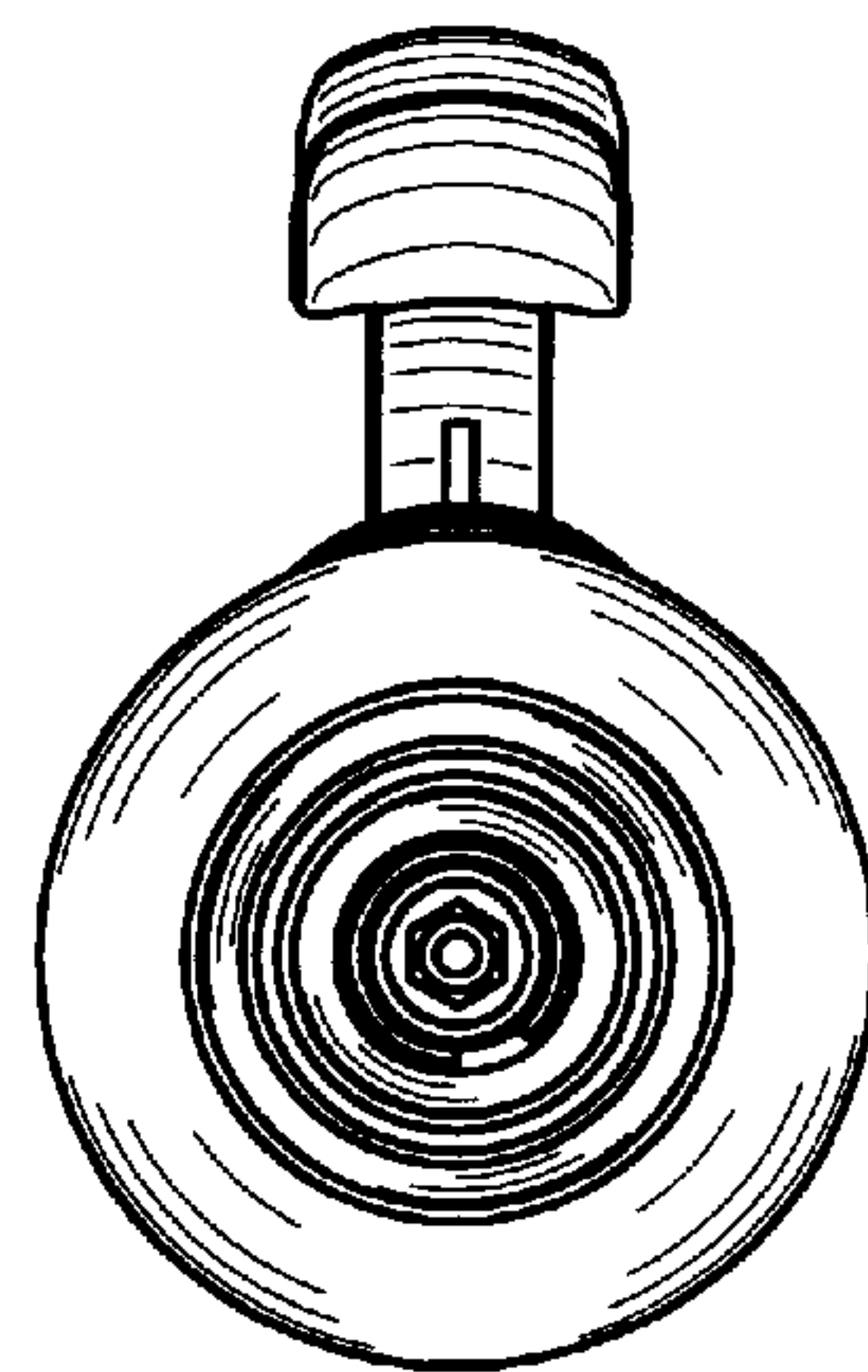


Fig. 3

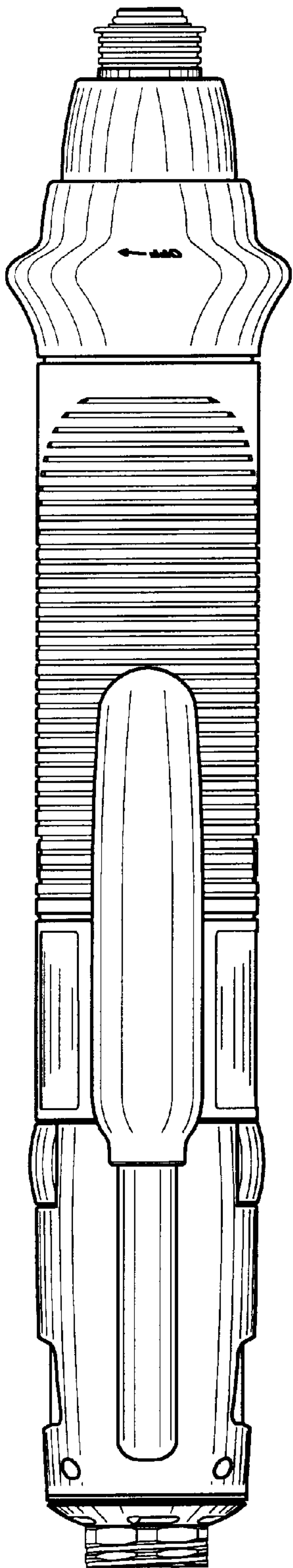


Fig. 4

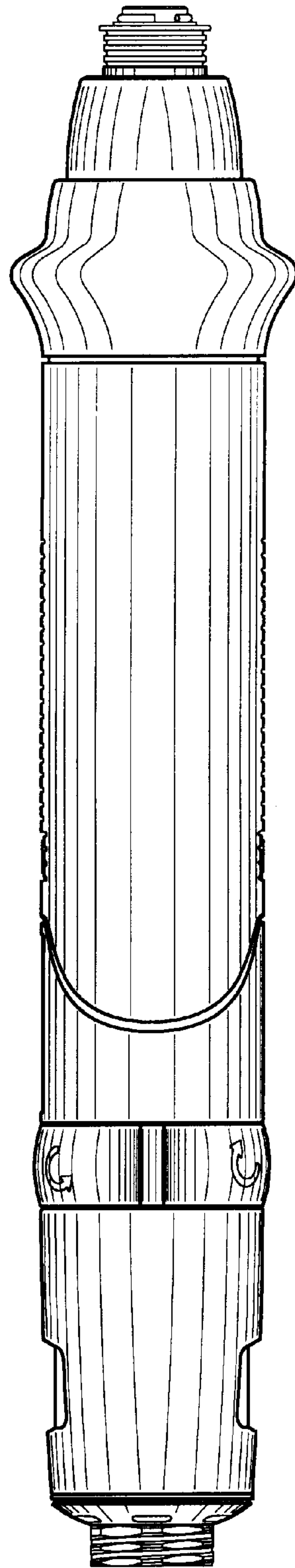


Fig. 5



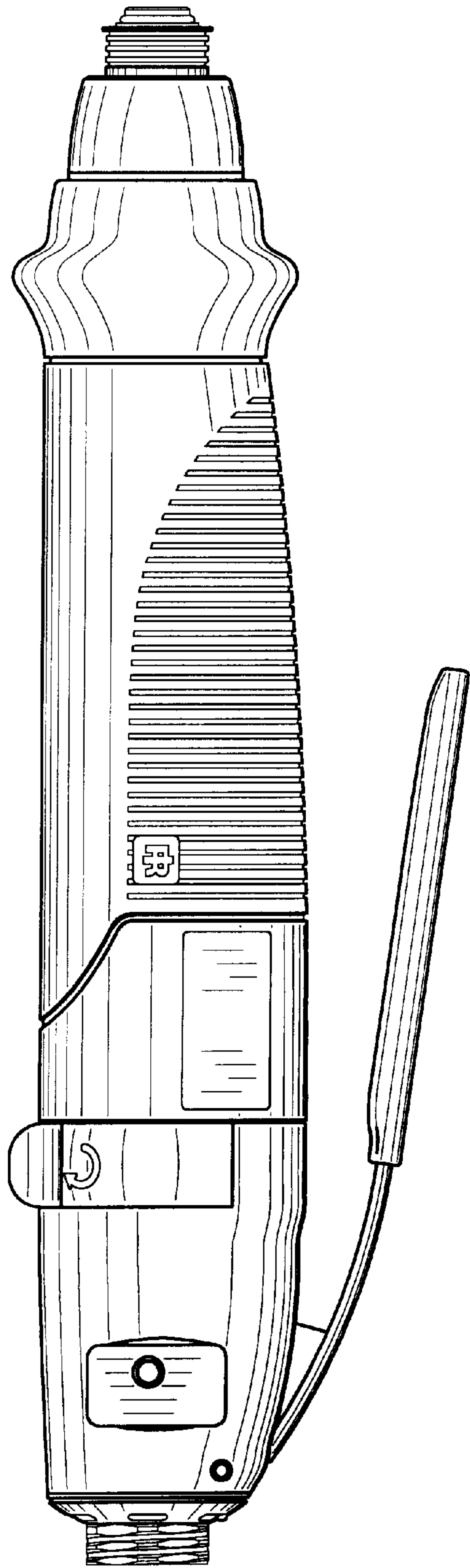


Fig. 6

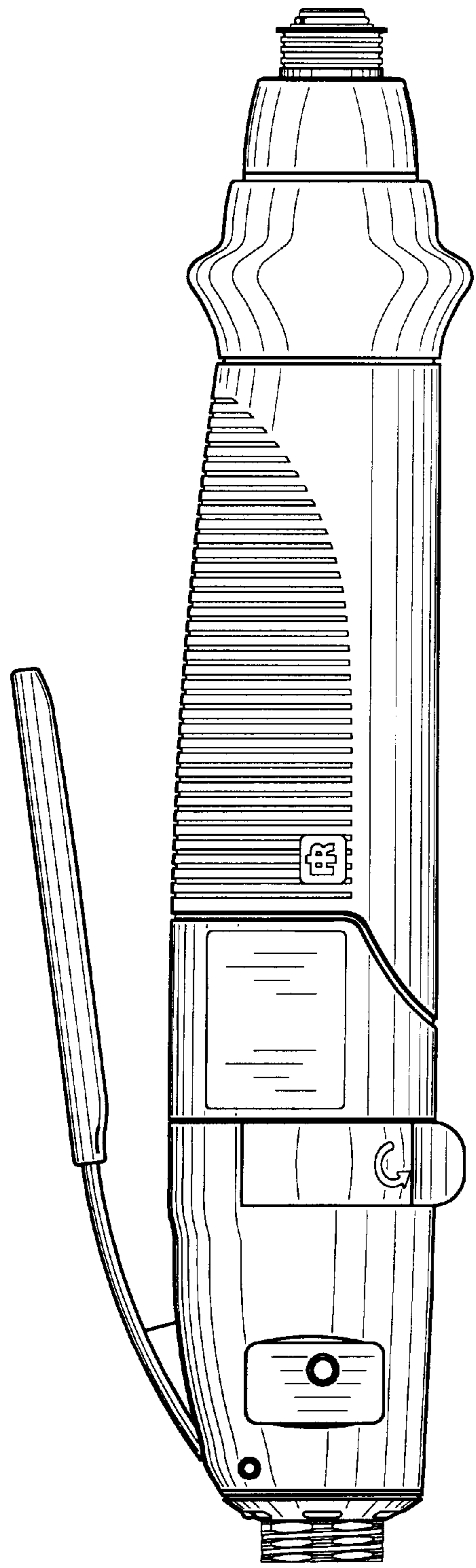


Fig. 7