



US00D433609S

United States Patent [19]
McCallops et al.

[11] **Patent Number: Des. 433,609**
[45] **Date of Patent: ** Nov. 14, 2000**

[54] **ANGLED PNEUMATIC TOOL**
[75] Inventors: **John A. McCallops**, Easton; **Richard J. Bookhout, Jr.**, Nazareth; **John E. Conrad**, Effort, all of Pa.; **Paul K. Metaxatos**, West Hartford, Conn.

[73] Assignee: **Ingersoll-Rand Company**, Woodcliff Lake, N.J.

[**] Term: **14 Years**

[21] Appl. No.: **29/118,505**
[22] Filed: **Feb. 10, 2000**

[51] **LOC (7) Cl.** **08-05**
[52] **U.S. Cl.** **D8/61**
[58] **Field of Search** D15/140; D8/61, D8/62, 68, 70, 83, 94, 97, 107, 303, DIG. 7; 81/52, 54, 55, 57, 57.13, 57.26-57.29, 57.39, 177.1, 177.8, 177.9, 177.85, 463, 464, 470, 489; 418/150; 173/90-93, 104, 128, 178, 213; 403/83, 84; 477/174, 164

[56] **References Cited**

U.S. PATENT DOCUMENTS

D. 40,285 8/1909 Gendre D8/61

D. 316,216 4/1991 Gierke et al. D8/61
D. 337,505 7/1993 Ming-Chang D8/303
D. 380,131 6/1997 Sung D8/61
D. 380,949 7/1997 Sung D8/61
D. 387,960 12/1997 Sung D8/61
2,924,114 2/1960 Hitt et al. 477/164
4,821,611 4/1989 Izumisawa 81/464
5,784,934 7/1998 Izumisawa 81/57.26

Primary Examiner—Martie K. Holtje
Attorney, Agent, or Firm—Leon Nigohosian, Jr.

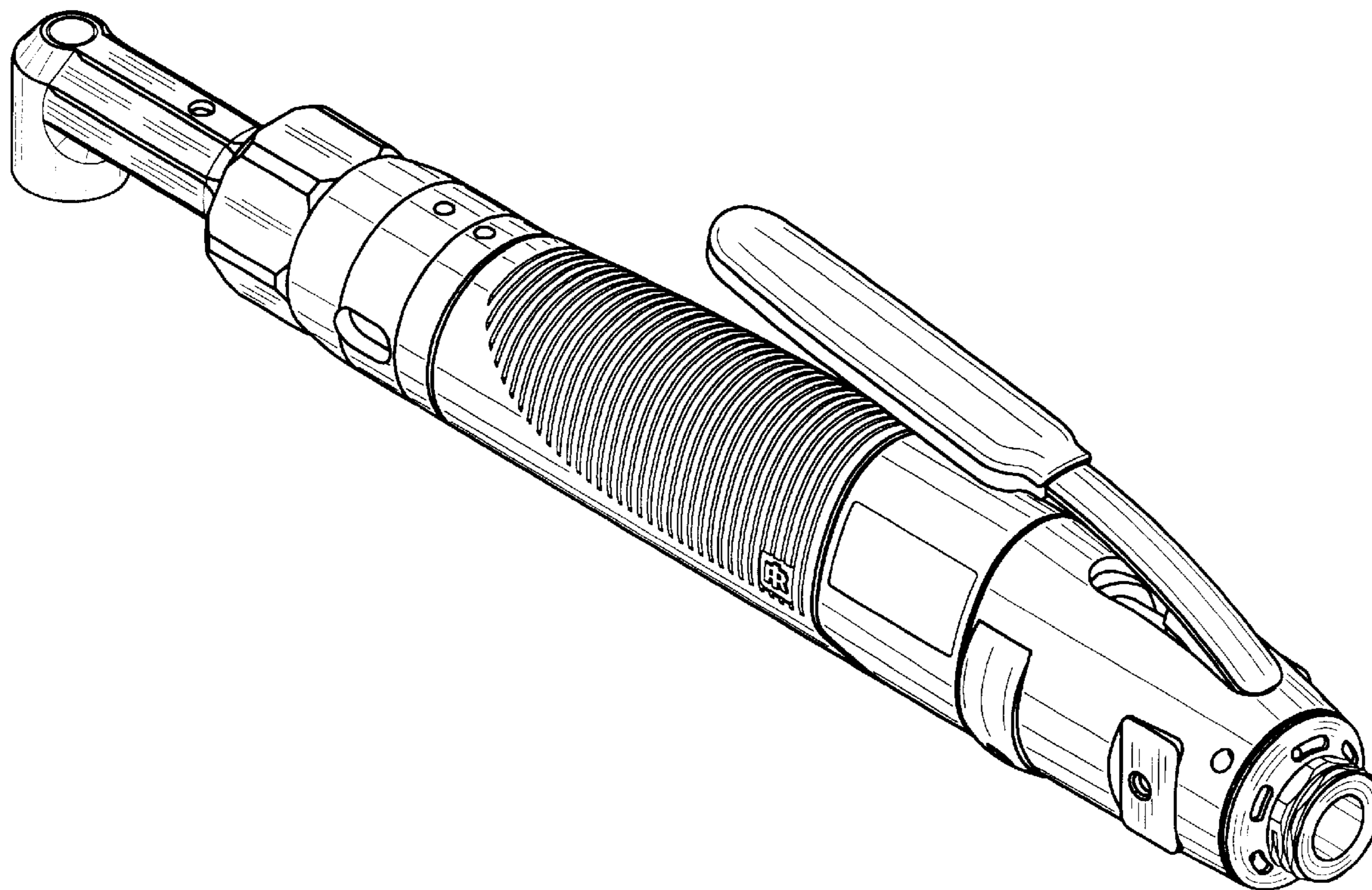
[57] **CLAIM**

The ornamental design of an angled pneumatic tool, as shown and described.

DESCRIPTION

FIG. 1 is an isometric view of an angled pneumatic tool showing our design;
FIG. 2 is a bottom view of FIG. 1;
FIG. 3 is a top view of FIG. 1;
FIG. 4 is a rear elevational view of FIG. 1;
FIG. 5 is a front elevational view of FIG. 1;
FIG. 6 is a left side view of FIG. 1; and,
FIG. 7 is a right side view of FIG. 1.

1 Claim, 3 Drawing Sheets



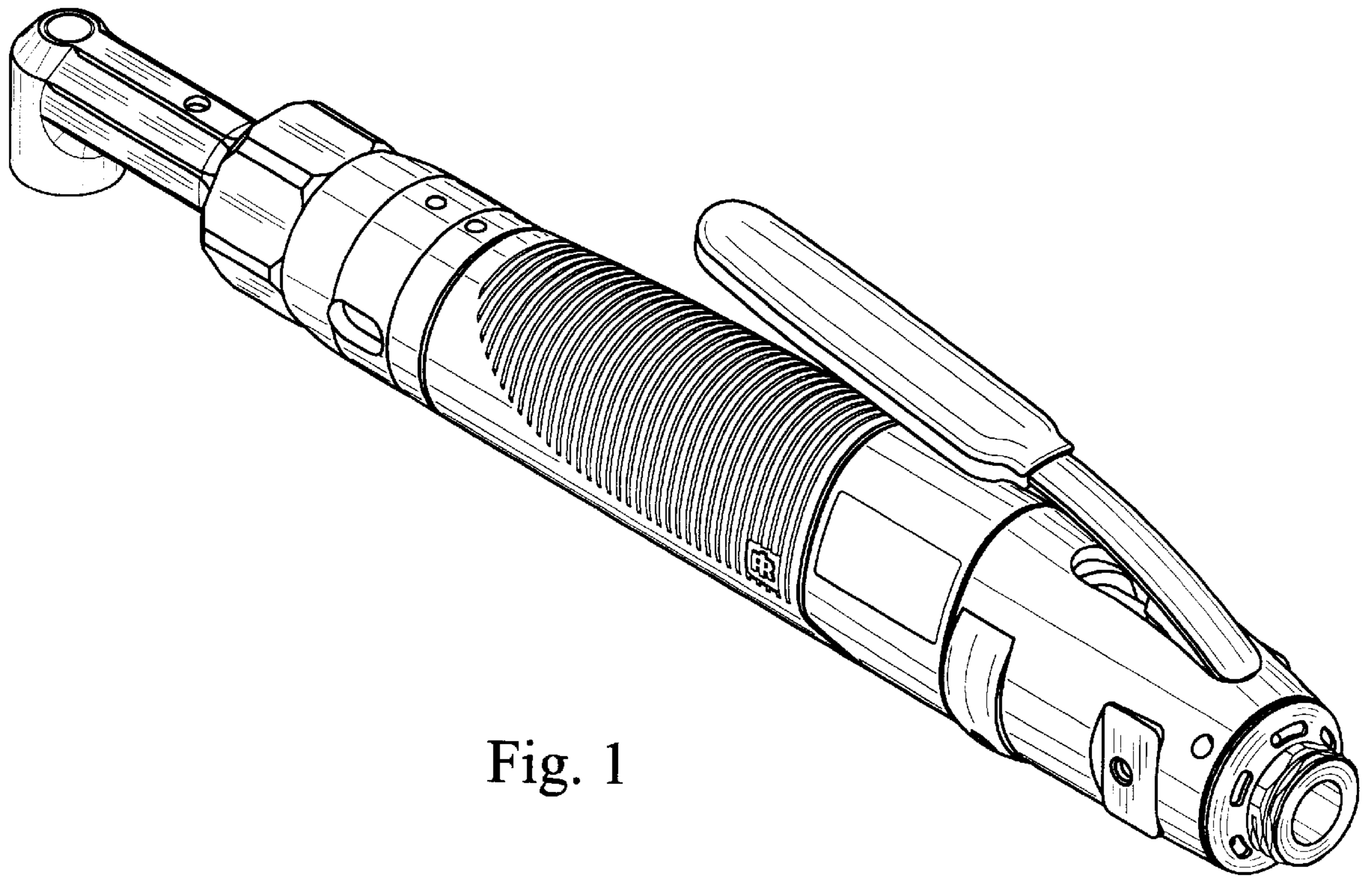


Fig. 1

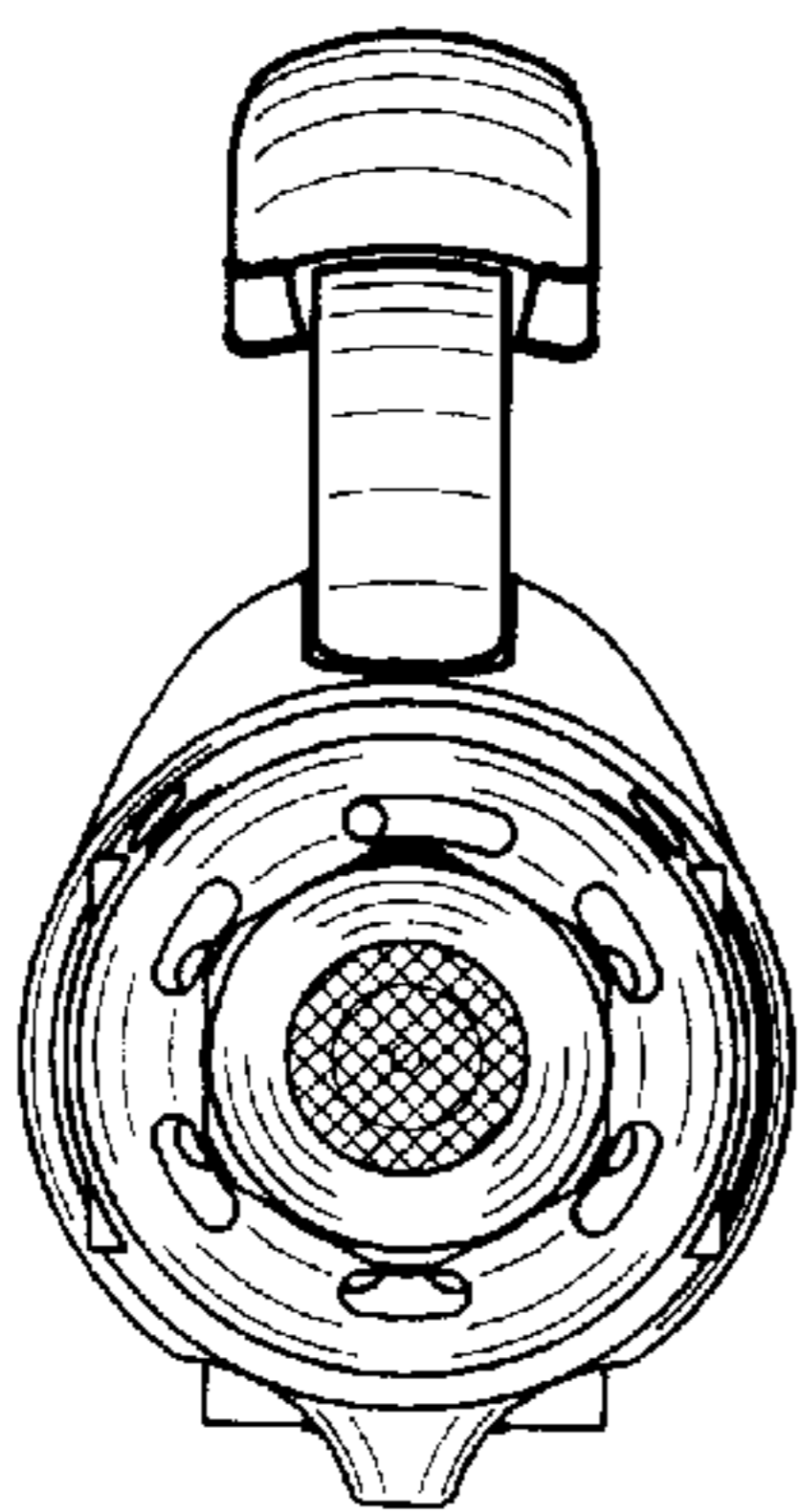


Fig. 2

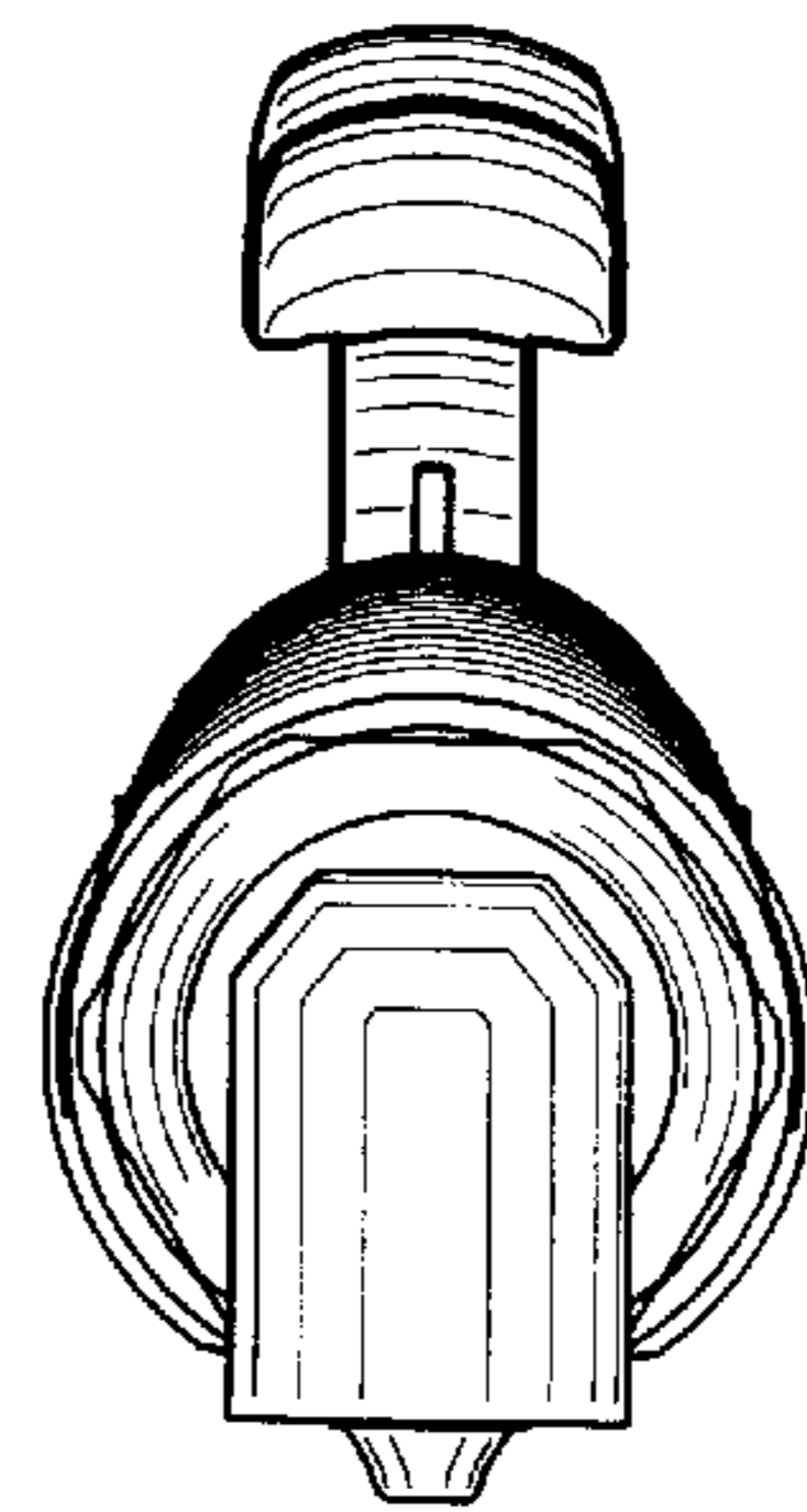


Fig. 3

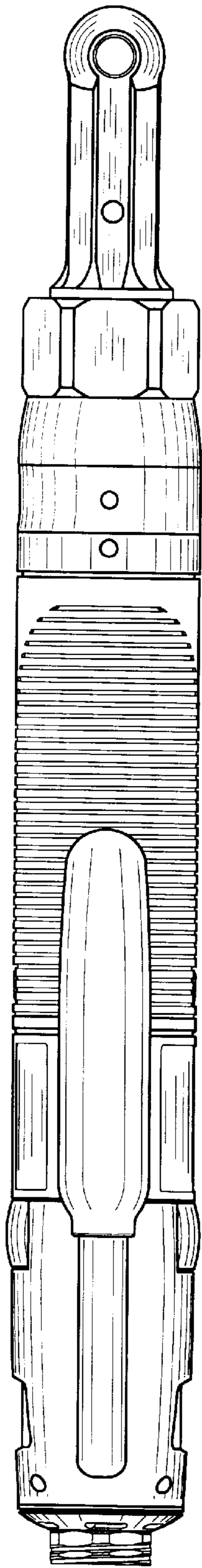


Fig. 4

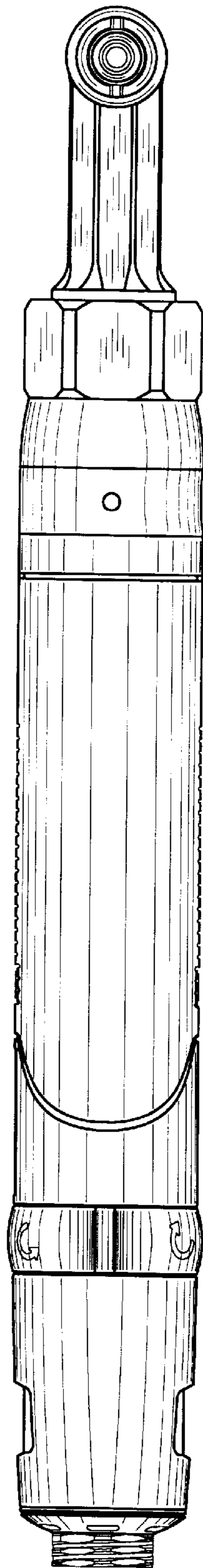


Fig. 5

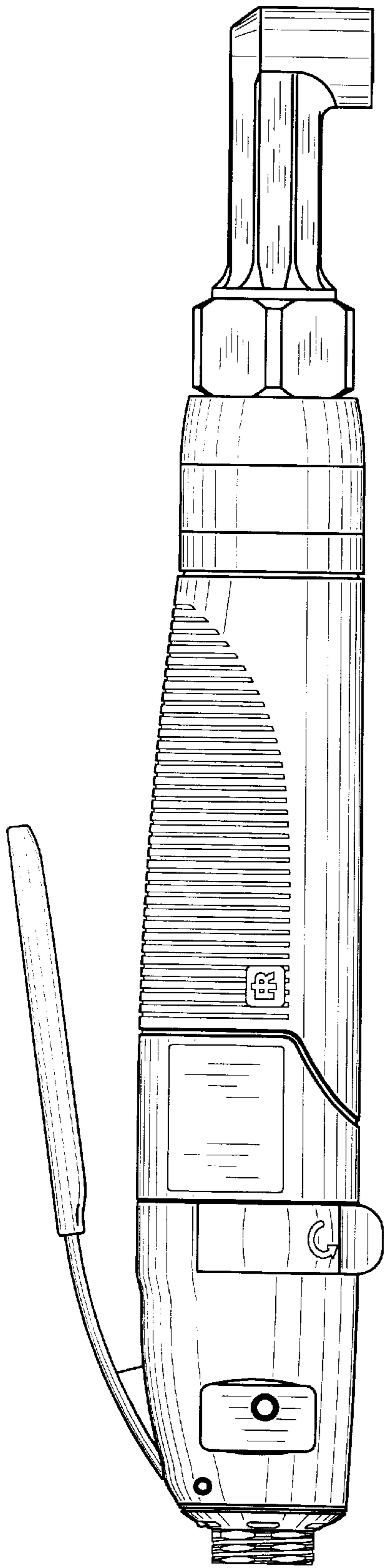


Fig. 6

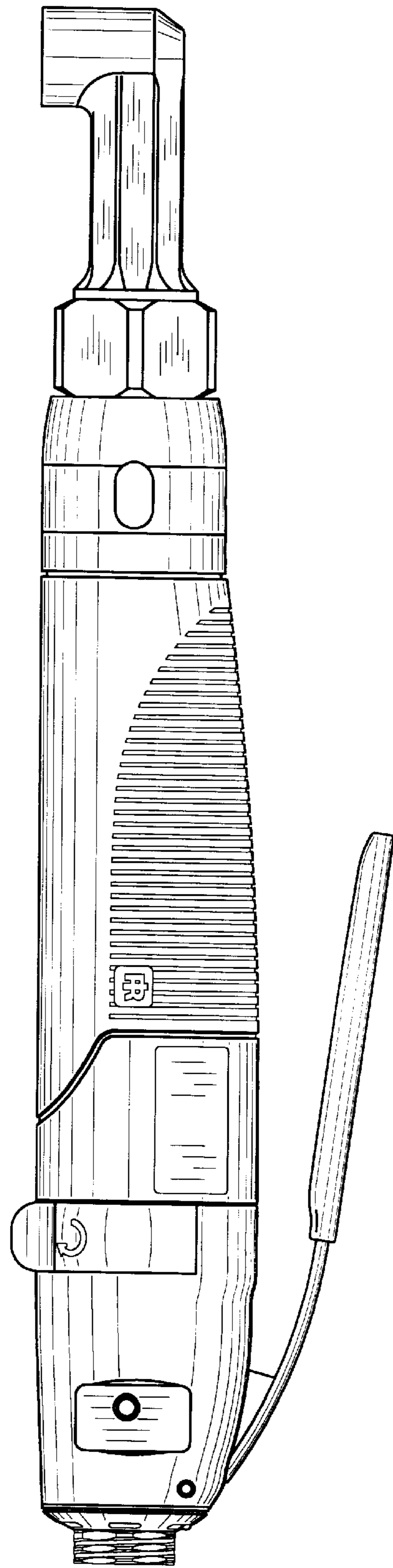


Fig. 7