



US00D433608S

United States Patent [19]

Poehlmann et al.

[11] Patent Number: **Des. 433,608**

[45] Date of Patent: **** Nov. 14, 2000**

[54] **PIVOT FOR A TOOL**

2,662,286 12/1953 Yeomans 30/262
2,940,343 6/1960 Hindenburg D8/52 X

[75] Inventors: **Paul W. Poehlmann**, Herlot Bay, Canada; **Phillip A. Montague**, Tualatin, Oreg.

Primary Examiner—Holly Baynham
Attorney, Agent, or Firm—Foley & Lardner

[73] Assignee: **Alterra Holdings Corporation**, Phoenix, Ariz.

[57] **CLAIM**

We claim the ornamental design for the pivot for a tool, as shown and described.

[**] Term: **14 Years**

DESCRIPTION

[21] Appl. No.: **29/094,894**

FIG. 1 is an isometric view of a pivot for a tool;
FIG. 2 is a front view of the pivot for a tool shown in FIG. 1;
FIG. 3 is a top view of the pivot for a tool shown in FIG. 1, with the bottom view being the same as FIG. 3;
FIG. 4 is a left side view of the pivot for a tool shown in FIG. 1; and,
FIG. 5 is a right side view of the pivot for a tool shown in FIG. 1.

[22] Filed: **Oct. 13, 1998**

[51] **LOC (7) Cl.** **08-05**

[52] **U.S. Cl.** **D8/52**

[58] **Field of Search** D8/5, 4, 51-52,
D8/54, 56; 30/262

The broken lines showing portions of the tool in FIGS. 1-5 are for illustrative purposes only and form no part of the claimed design.

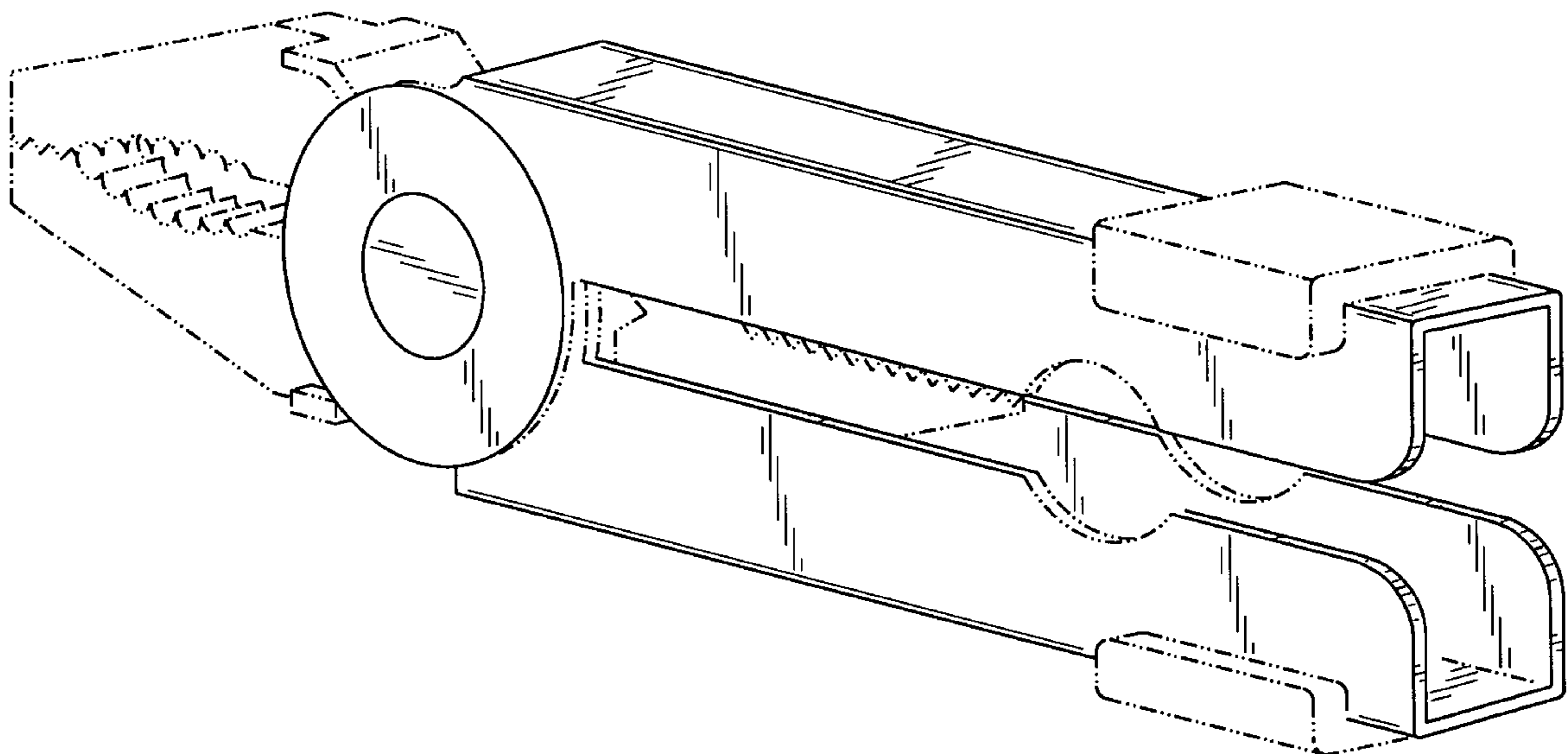
The rear elevational view of the article not shown in the drawing or described in the specification forms no part of the claimed design.

[56] **References Cited**

U.S. PATENT DOCUMENTS

D. 113,225	2/1939	Heise	D8/56
D. 257,877	1/1981	Patterson	D8/52 X
D. 291,769	9/1987	Lemcke	D8/4
D. 317,701	6/1991	Grove	D8/5
D. 320,333	10/1991	Grove	D8/5
2,055,270	9/1936	Villard et al.	D8/56 X

1 Claim, 2 Drawing Sheets



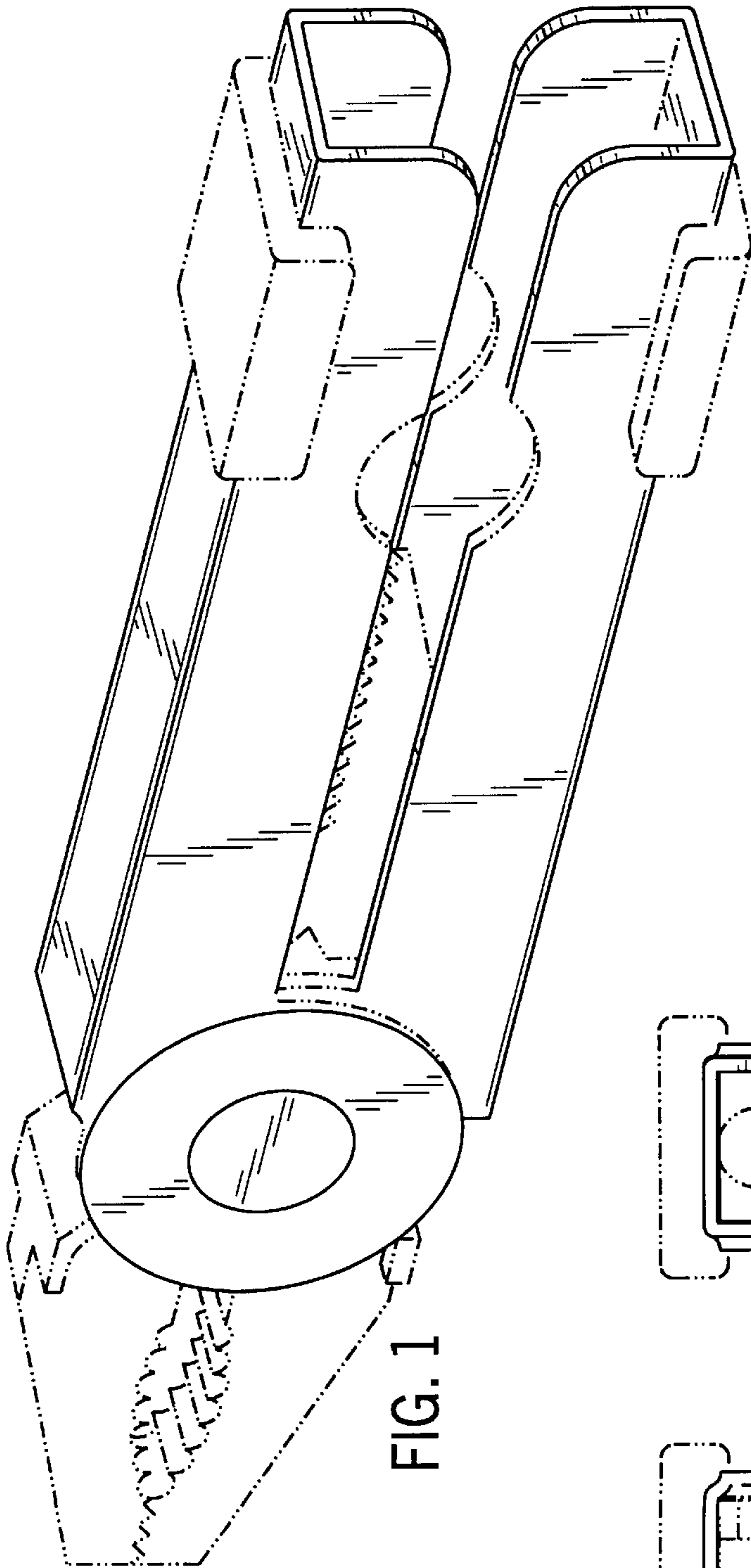


FIG. 1

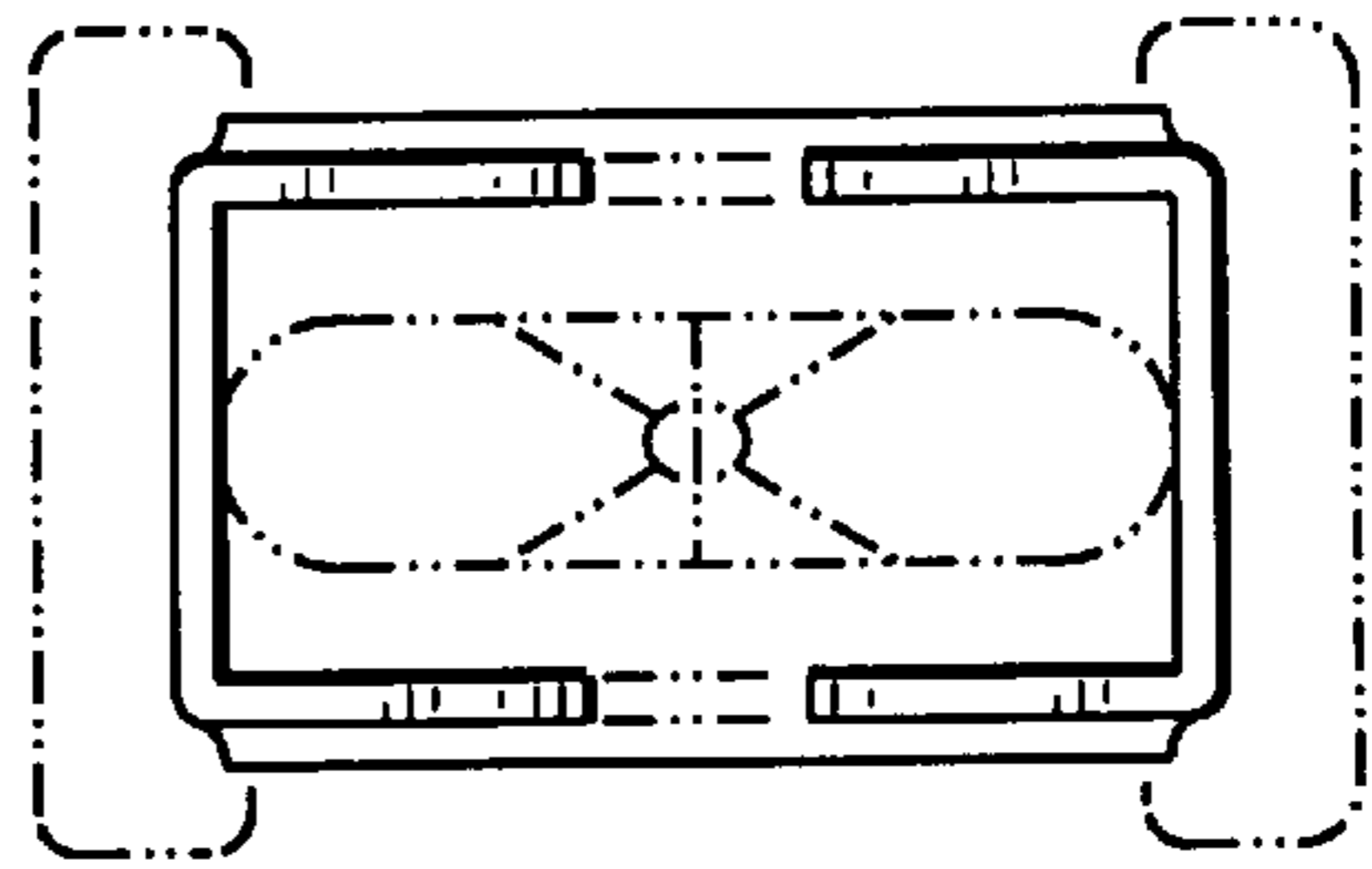


FIG. 5

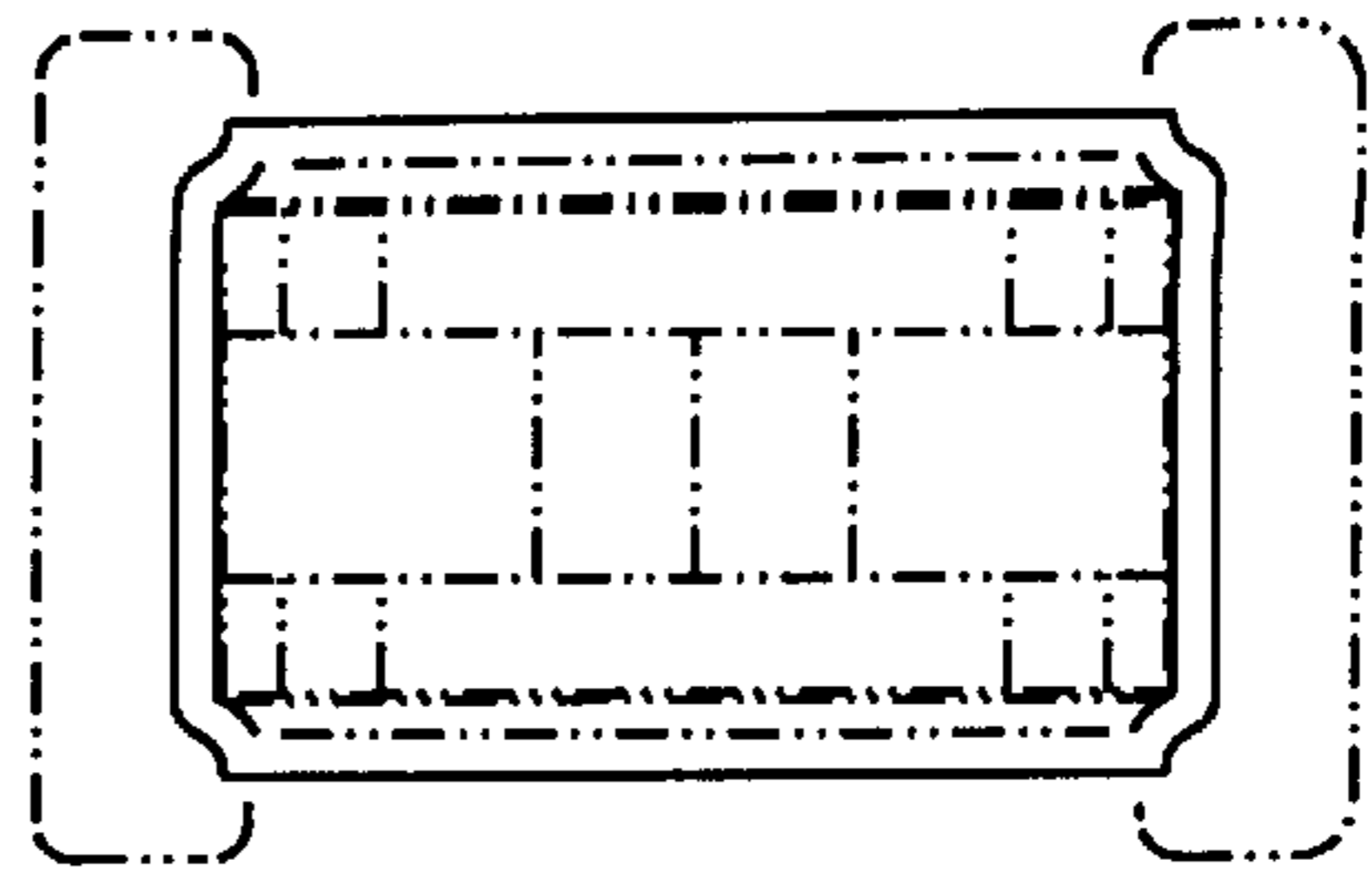


FIG. 4

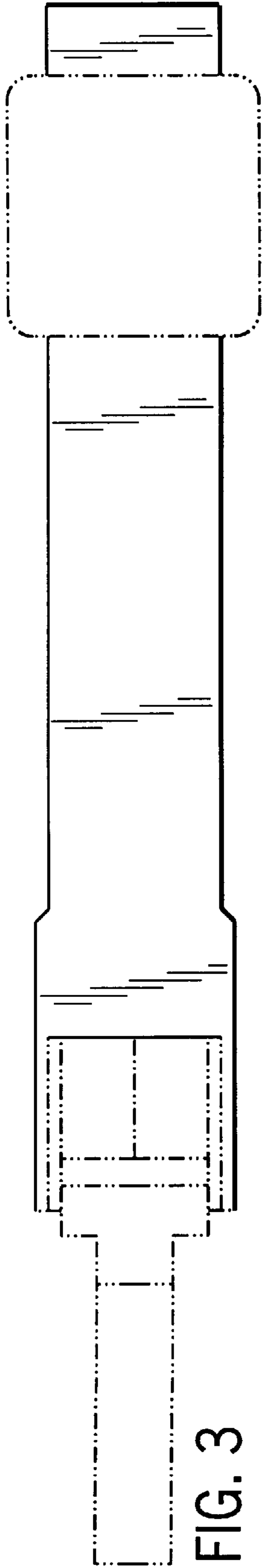


FIG. 3

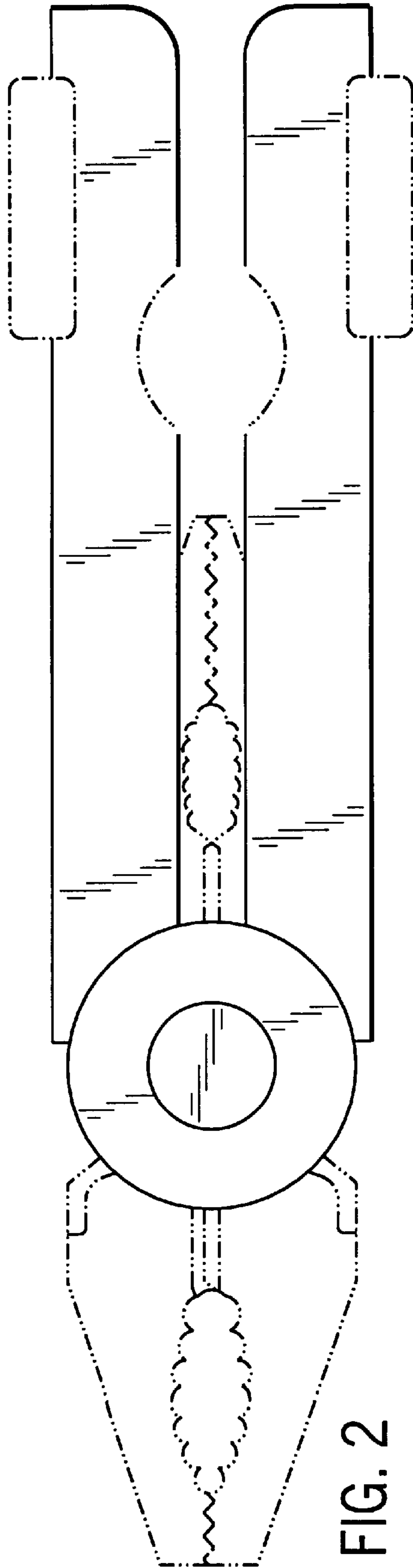


FIG. 2