



US00D433603S

United States Patent [19]

[11] **Patent Number: Des. 433,603**

Kohls

[45] **Date of Patent: ** Nov. 14, 2000**

[54] **GARDENING APPLICATOR FOR DELIVERING LIQUID CHEMICALS TO VEGETATION**

Primary Examiner—Robin V. Taylor
Attorney, Agent, or Firm—R. William Graham

[76] Inventor: **Corwin Kohls**, 989 Patriot Sq., Dayton, Ohio 45459

[57] **CLAIM**

I claim the ornamental design for the gardening applicator for delivering liquid chemicals to vegetation, as shown and described.

[**] Term: **14 Years**

DESCRIPTION

[21] Appl. No.: **29/116,527**

FIG. 1 is a side view of a gardening applicator for delivering liquid chemicals to vegetation showing my new design, wherein the other side is a mirror image thereof;

[22] Filed: **Jan. 4, 2000**

FIG. 2 is a rear view of a gardening applicator for delivering liquid chemicals to vegetation showing my new design;

[51] **LOC (7) Cl.** **08-01**

[52] **U.S. Cl.** **D8/2**

[58] **Field of Search** D8/1, 2; D23/225; 239/302, 308, 318

FIG. 3 is a front view of a gardening applicator for delivering liquid chemicals to vegetation showing my new design;

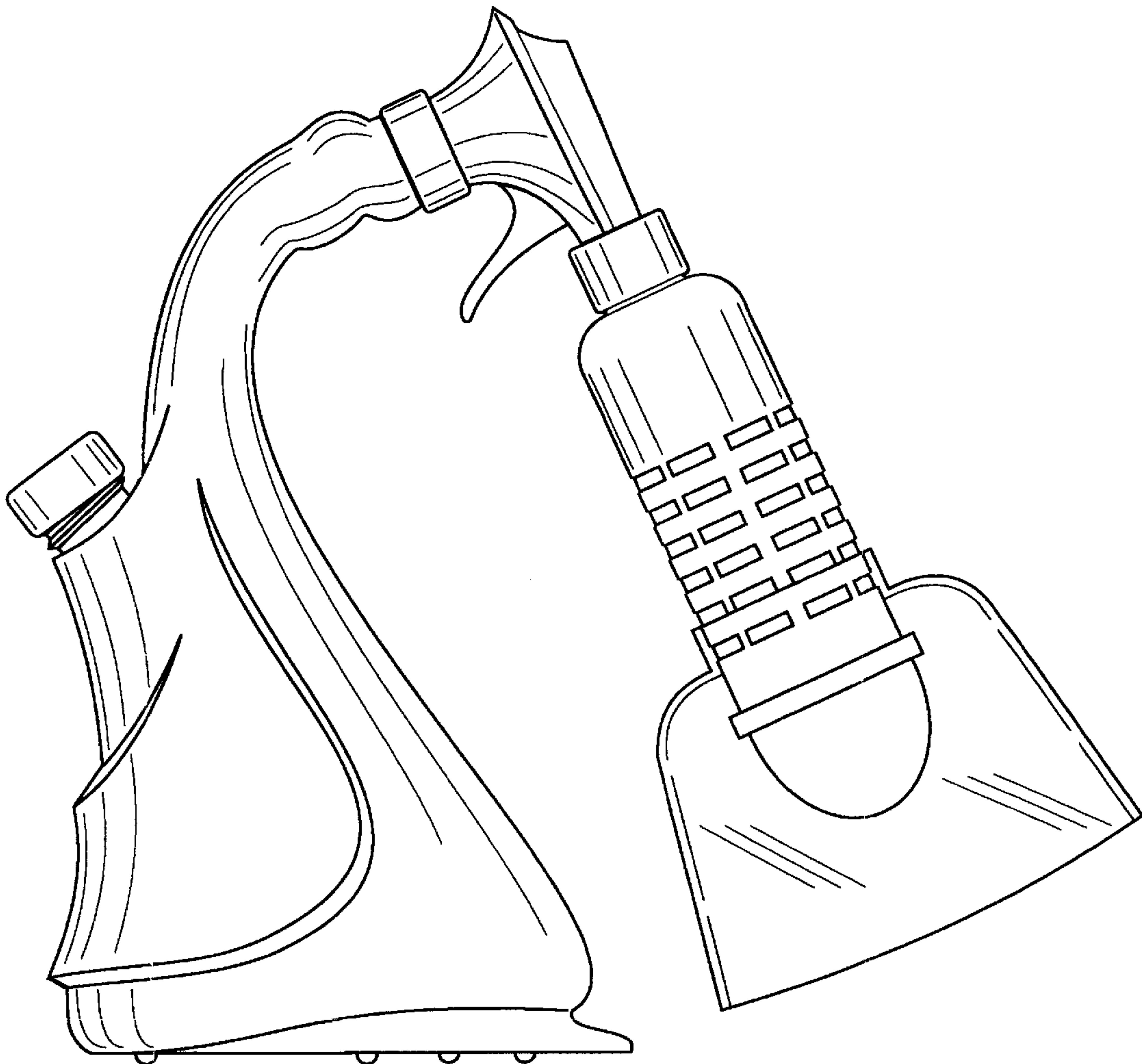
[56] **References Cited**

U.S. PATENT DOCUMENTS

D. 364,786	12/1995	Taylor et al.	D8/2
D. 393,187	4/1998	Shfaram	D8/1
3,896,998	7/1975	Vertue	239/318
5,881,955	3/1999	Styne	239/318
6,012,650	1/2000	Hadar	239/318

FIG. 4 is a top view of a gardening applicator for delivering liquid chemicals to vegetation showing my new design; and, FIG. 5 is a bottom end view of a gardening applicator for delivering liquid chemicals to vegetation showing my new design.

1 Claim, 3 Drawing Sheets



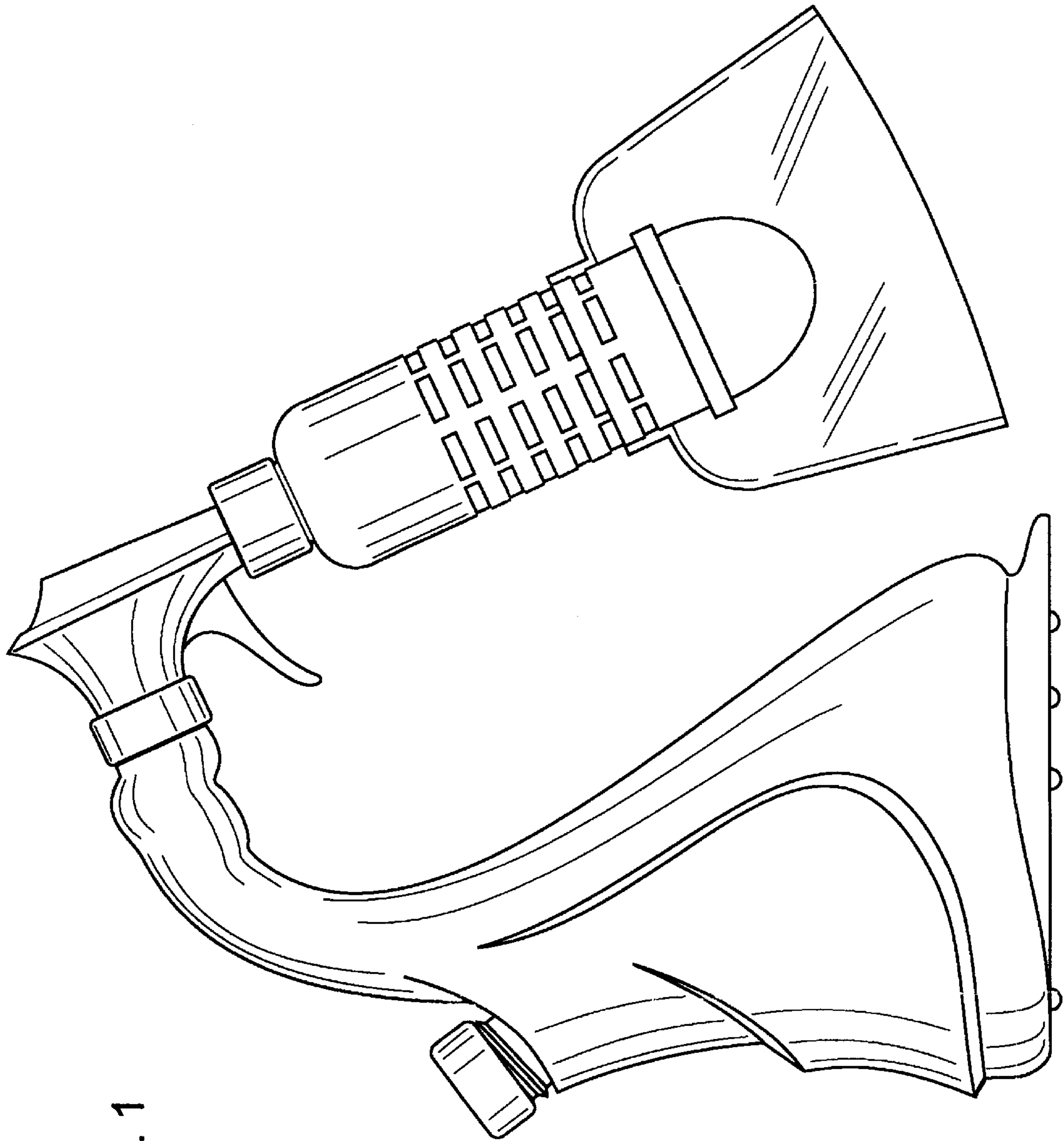


Fig. 1

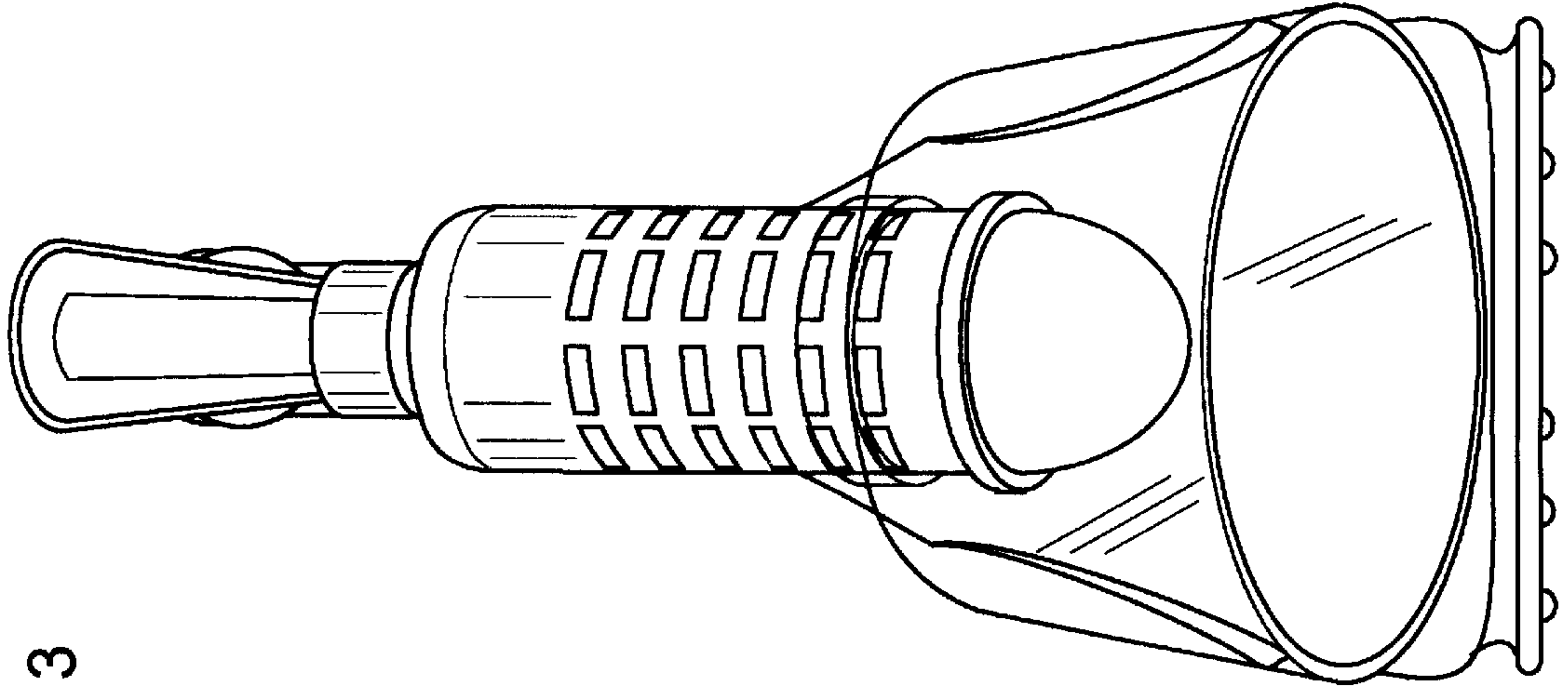


Fig. 3

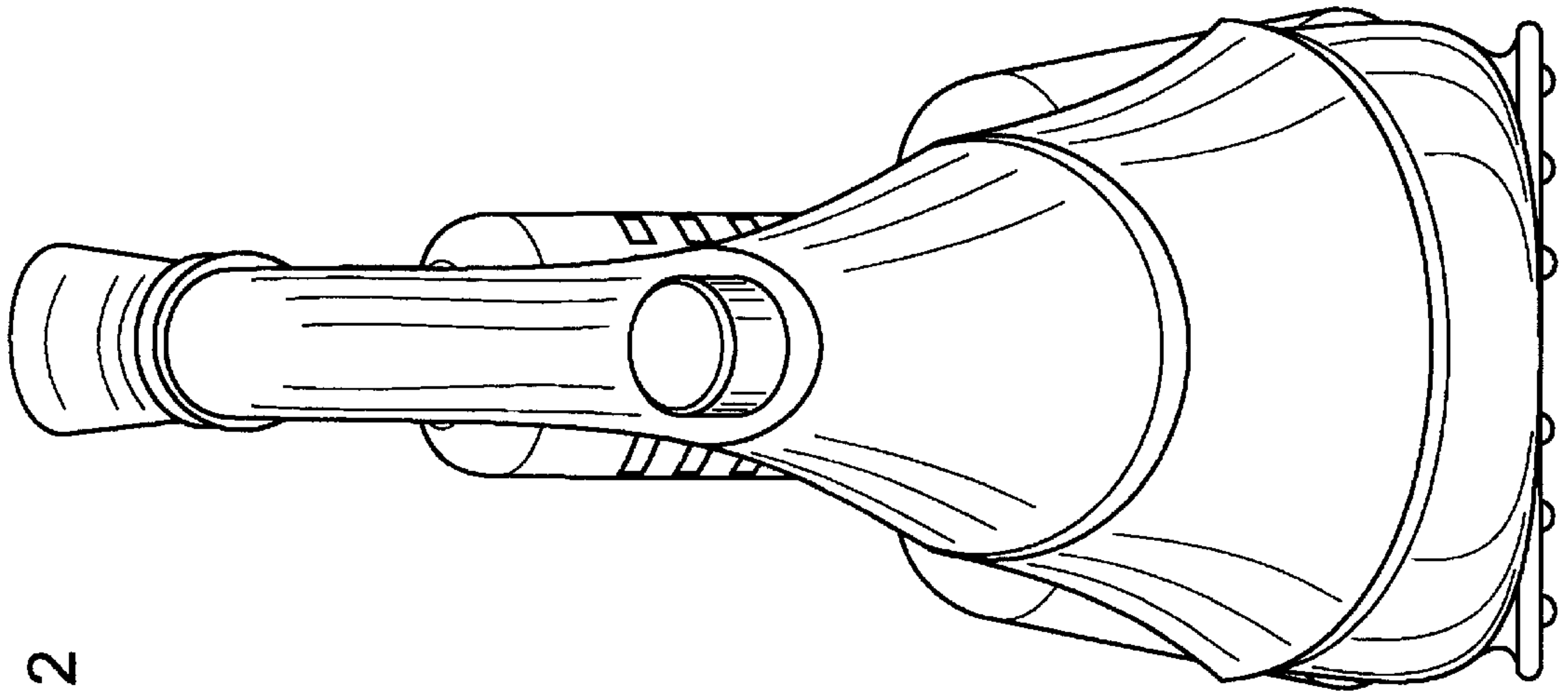


Fig. 2

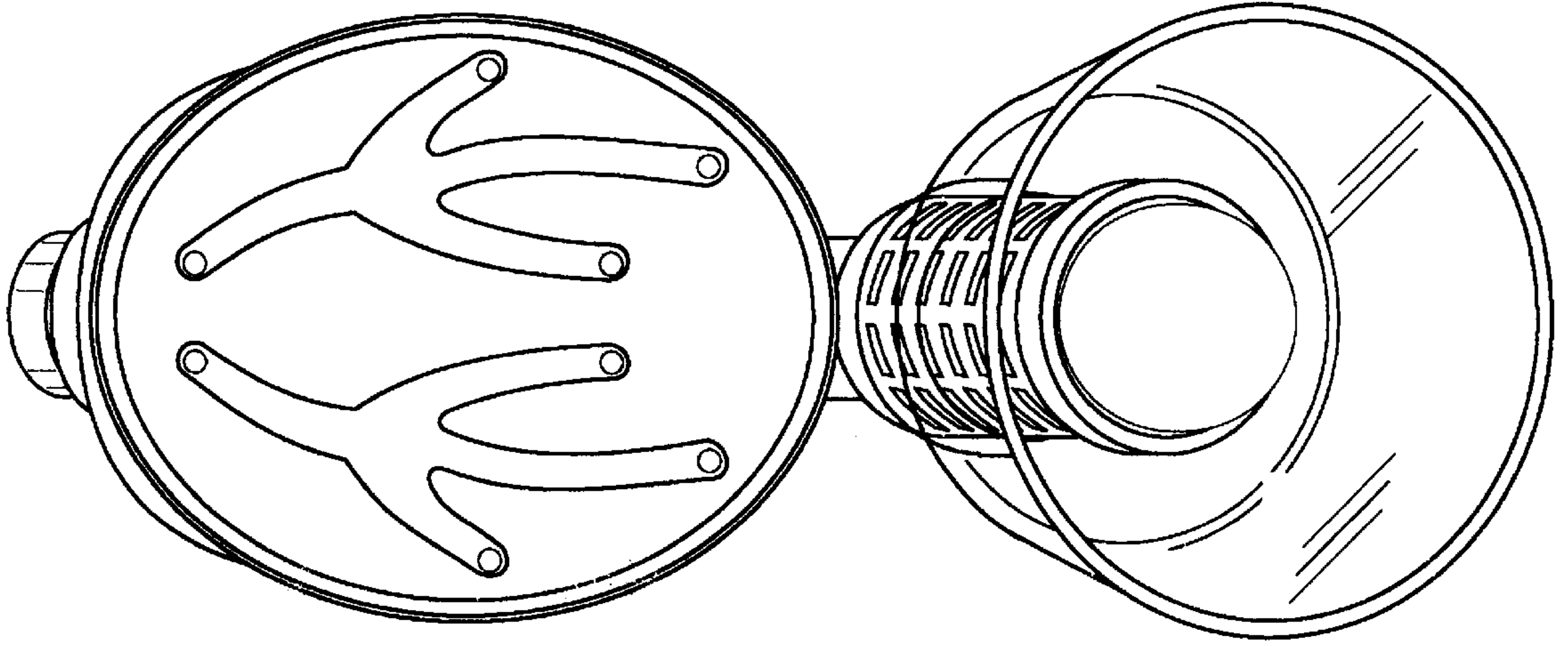


Fig. 5

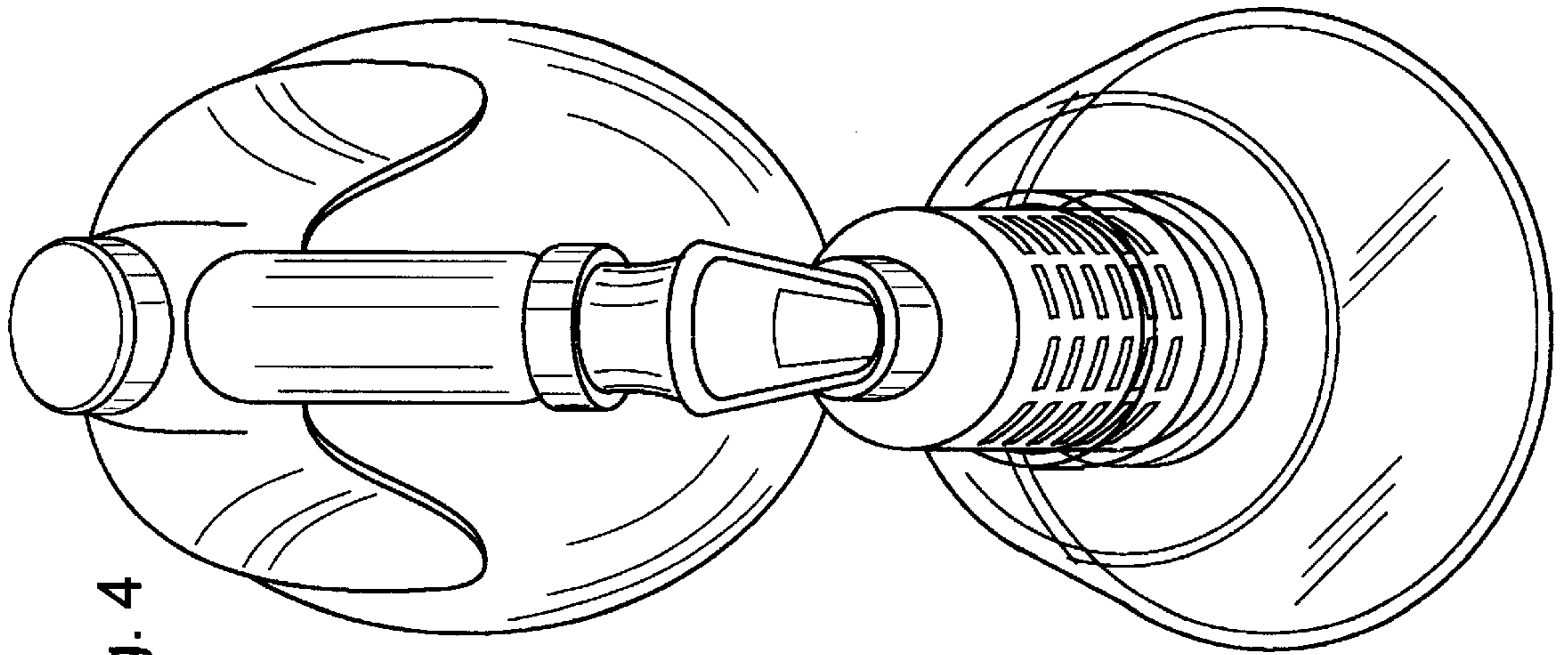


Fig. 4