



US00D433599S

United States Patent [19]

Kristiansen et al.

[11] Patent Number: **Des. 433,599**

[45] Date of Patent: **** Nov. 14, 2000**

[54] MUG

[75] Inventors: **Keith Kristiansen**, Stratford, Conn.;
Michael Ballone, New Providence,
N.J.; **Gary Grossman**, Riverside, Conn.

[73] Assignee: **The Thermos Company**, Batesville,
Miss.

[**] Term: **14 Years**

[21] Appl. No.: **29/119,704**

[22] Filed: **Mar. 6, 2000**

[51] LOC (7) Cl. **07-01**

[52] U.S. Cl. **D7/523; D7/509**

[58] Field of Search D7/509, 510, 511,
D7/523, 532, 507, 536, 533; 220/675, 703,
DIG. 13

[56] **References Cited**

U.S. PATENT DOCUMENTS

D. 67,869 7/1925 Boswell D7/523

D. 114,568	5/1939	Viatour	D7/523
D. 130,277	11/1941	Eggleton	D7/532
D. 290,323	6/1987	Weernink	D7/511
D. 322,218	12/1991	Lynd	D9/556
D. 404,255	1/1999	Asberg	D7/511
D. 421,364	3/2000	Kristiansen et al.	D7/531
5,449,089	9/1995	Turner et al.	220/675

Primary Examiner—M. N. Pandozzi
Attorney, Agent, or Firm—Wood, Phillips, VanSanten, Clark
& Mortimer

[57] **CLAIM**

The ornamental design of a mug, as shown and described.

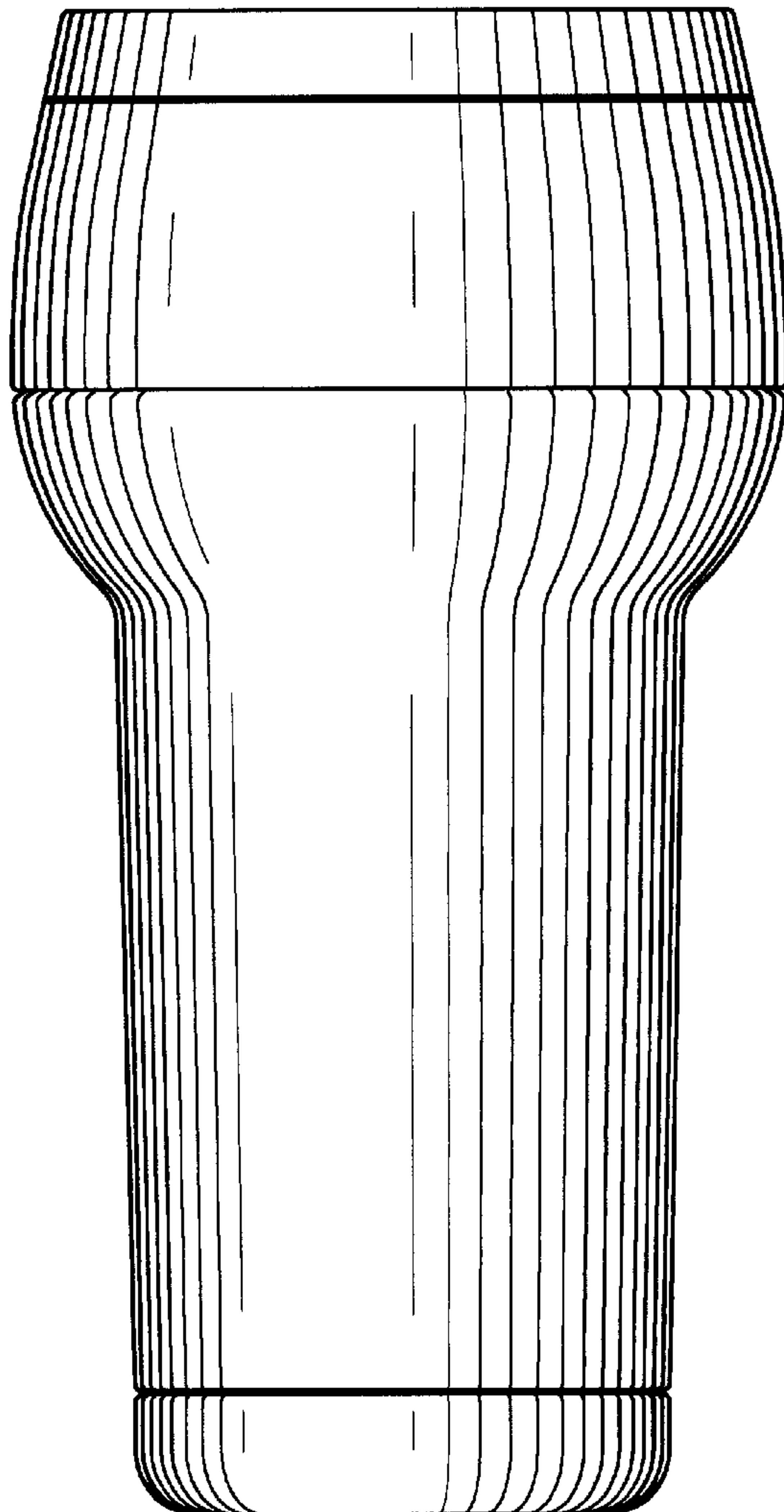
DESCRIPTION

FIG. 1 is an elevation of our mug design as seen from any angle about its periphery;

FIG. 2 is a top view of our mug design; and,

FIG. 3 is a bottom view of our mug design.

1 Claim, 1 Drawing Sheet



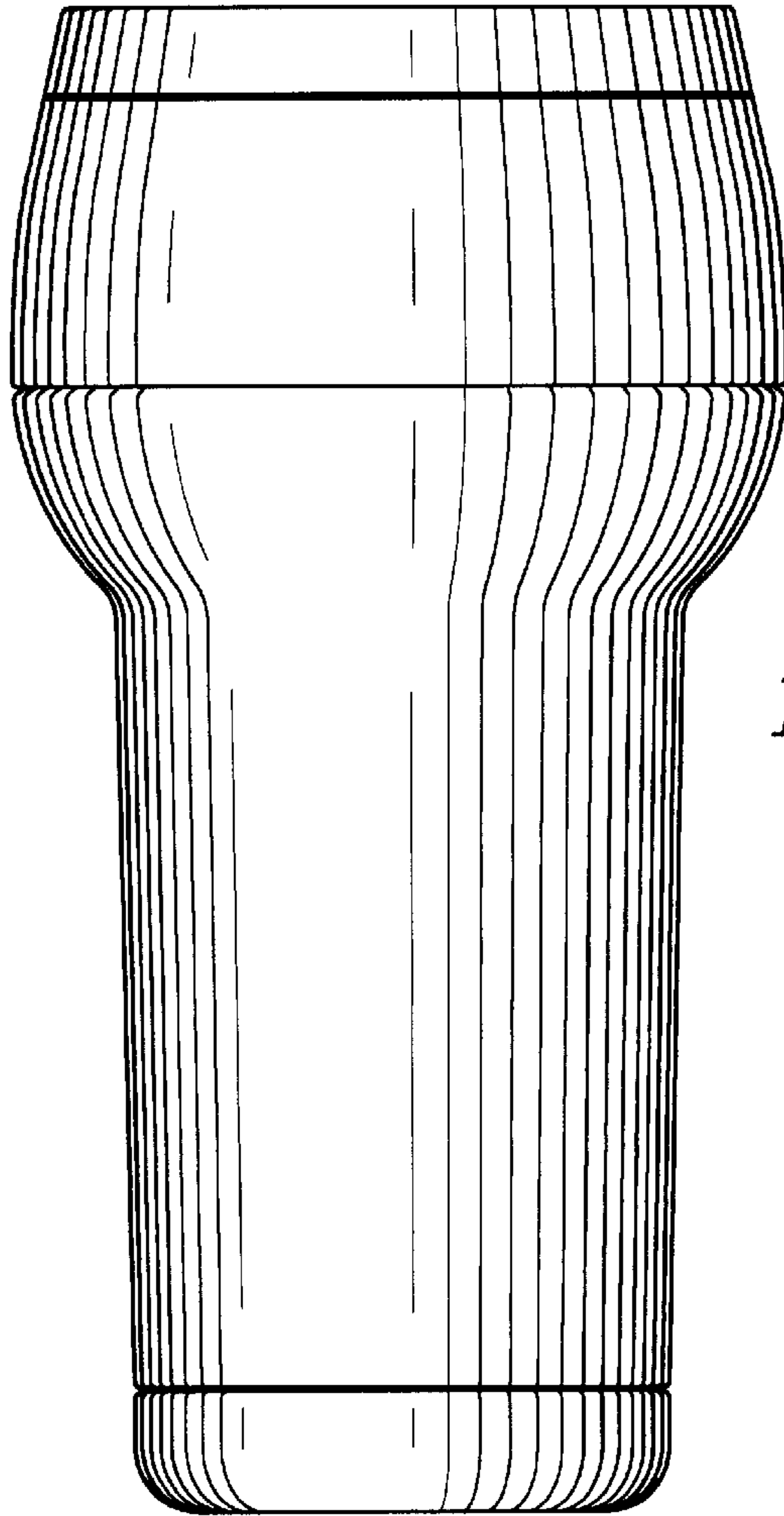


FIG. 1

FIG. 2

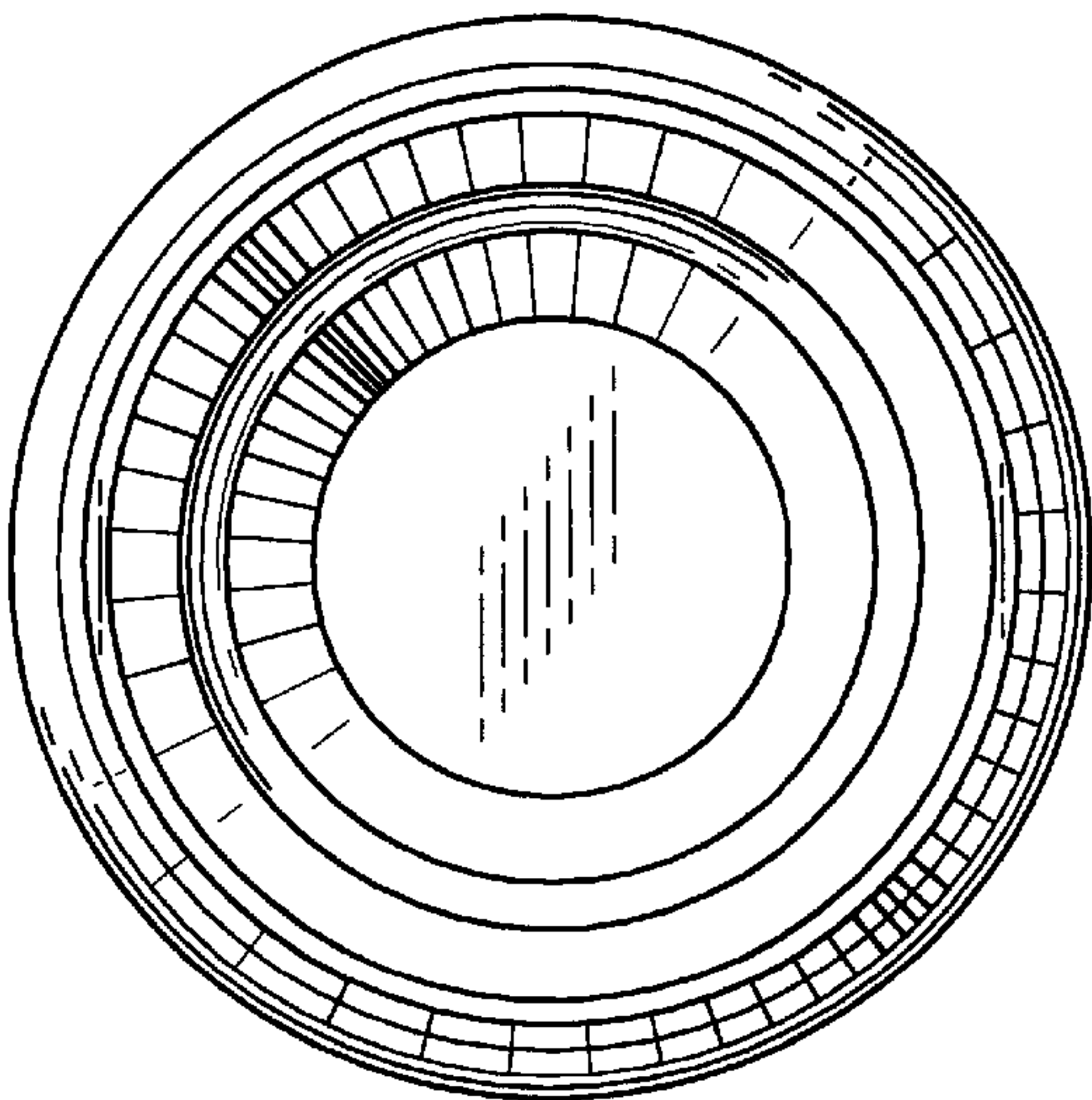


FIG. 3

