



US00D433589S

United States Patent [19]

Haug et al.

[11] **Patent Number: Des. 433,589**

[45] **Date of Patent: ** Nov. 14, 2000**

[54] **SLIDE BAR WITH SHOWER HOLDER**

D. 339,492 9/1993 Klose D6/524

[75] Inventors: **Andreas Haug; Thomas Schönherr**, both of Stuttgart, Germany; **Thomas Kuchler**, Zell am See, Austria; **Jon Lindholm**, Chicago, Ill.

OTHER PUBLICATIONS

Hansgrohe catalog, Jan. 1997, pp. 30, 31.
Grohetec catalog, Mar. 1997, pp. 26, 27, 30 and 31.

[73] Assignee: **Hansgrohe AG**, Schiltach, Germany

Primary Examiner—Holly Baynham
Attorney, Agent, or Firm—Duane, Morris & Heckscher LLP

[**] Term: **14 Years**

[57] CLAIM

[21] Appl. No.: **29/104,489**

The ornamental design for a slide bar with shower holder, as shown and described.

[22] Filed: **May 6, 1999**

DESCRIPTION

[30] **Foreign Application Priority Data**

Nov. 6, 1998 [DE] Germany 498 10 721

FIG. 1 is a side perspective view of a slide bar with shower holder showing our new design;
FIG. 2 is a side elevation view thereof;
FIG. 3 is a bottom plan view thereof;
FIG. 4 is a rear elevation view thereof;
FIG. 5 is an opposite side elevation view thereof.
FIG. 6 is a top plan view thereof; and,
FIG. 7 is a front elevation view thereof.

[51] **LOC (7) Cl.** **06-02**

[52] **U.S. Cl.** **D6/524**

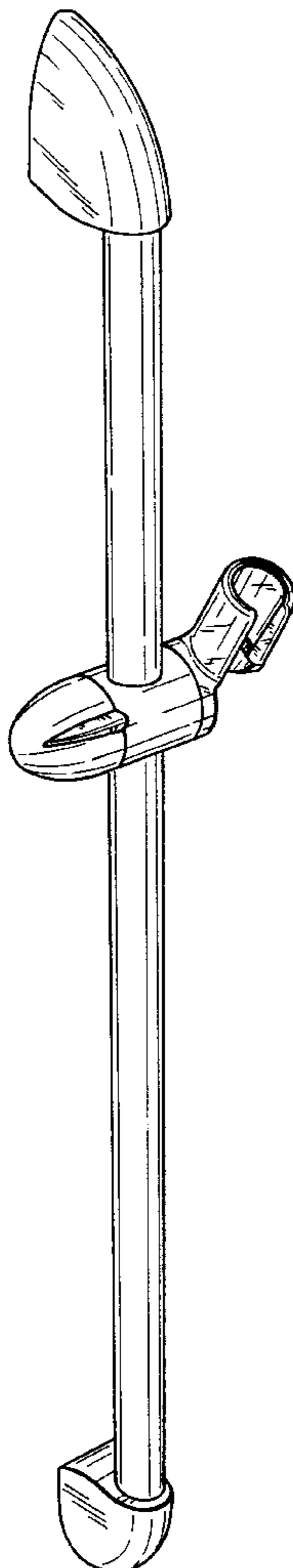
[58] **Field of Search** D6/524; D8/363, D8/349, 354; 4/605; 211/13, 86-87

[56] References Cited

U.S. PATENT DOCUMENTS

D. 240,178 6/1976 Johhanssen D6/524

1 Claim, 2 Drawing Sheets



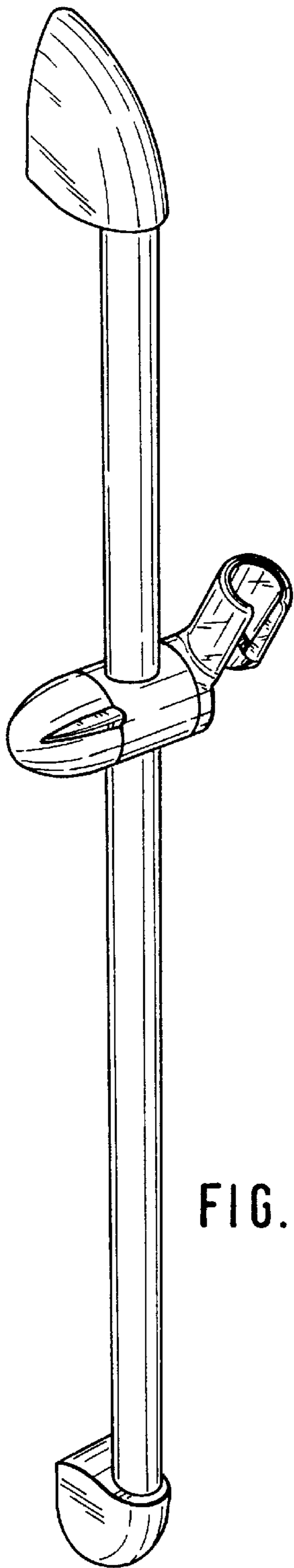


FIG. 1

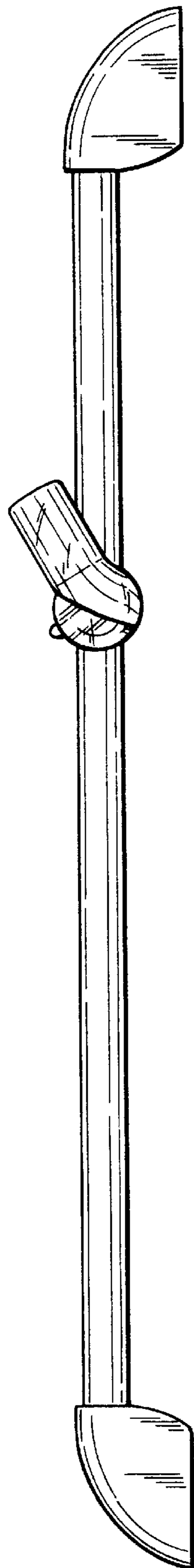


FIG. 2

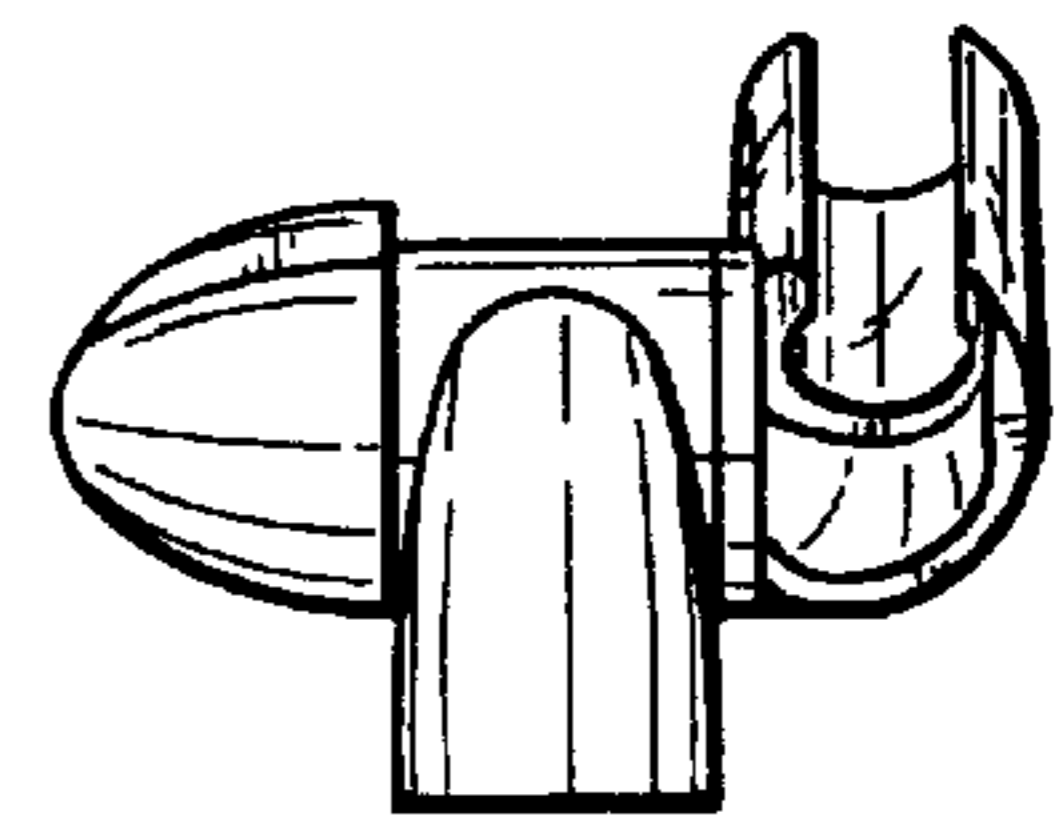


FIG. 3

FIG. 4

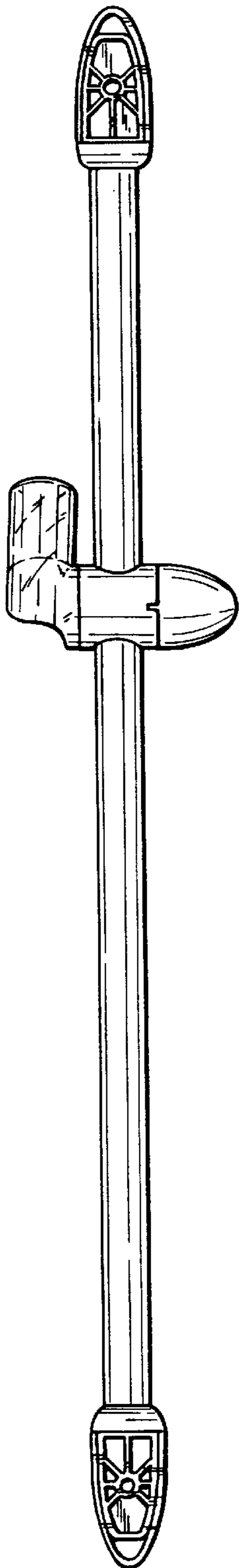


FIG. 5

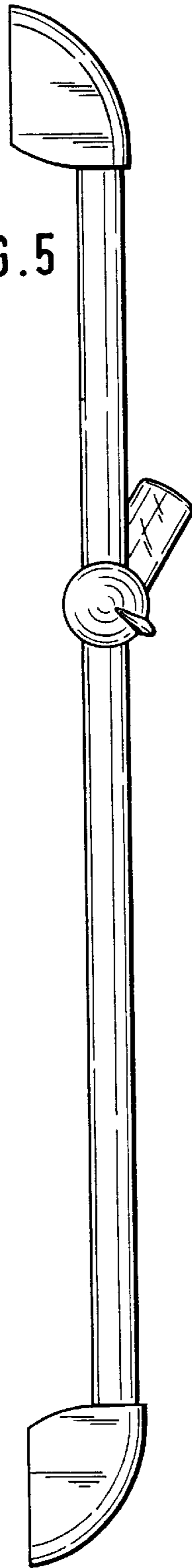


FIG. 6

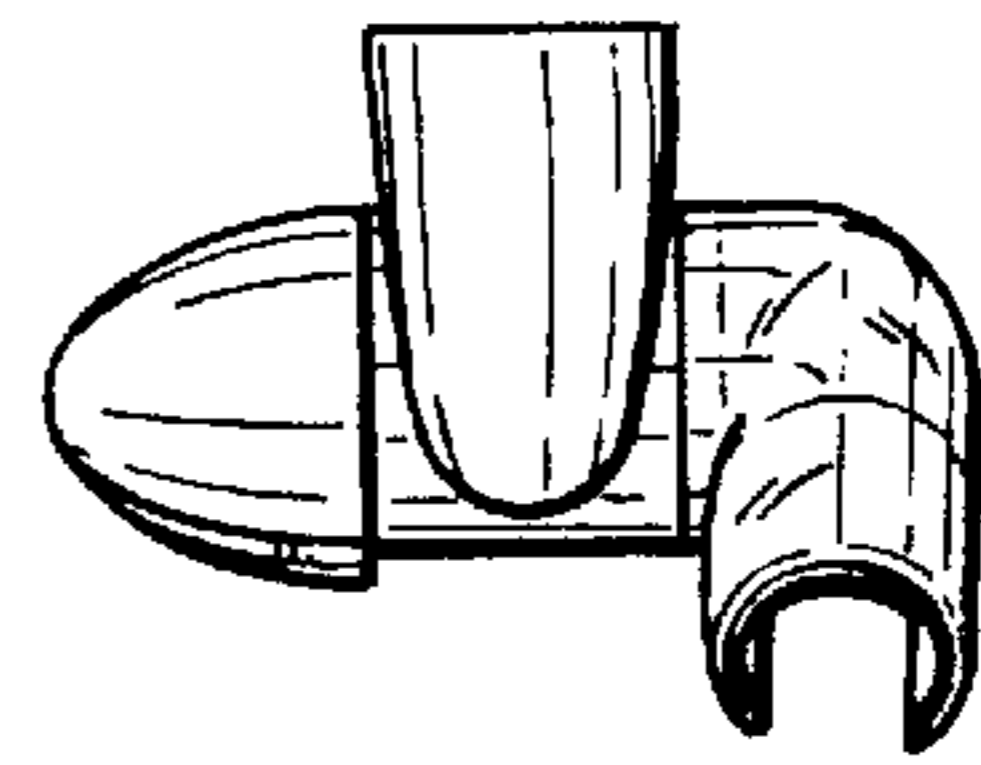


FIG. 7

