



US00D433587S

**United States Patent** [19]  
**Barile**

[11] **Patent Number: Des. 433,587**

[45] **Date of Patent: \*\* \*Nov. 14, 2000**

[54] **CHAIR TRIM EXTRUSION**

[75] Inventor: **Peter Barile**, Morristown, Tenn.

[73] Assignee: **Shelby Williams Industries, Inc.**,  
Morristown, Tenn.

[\*] Notice: This patent is subject to a terminal disclaimer.

[\*\*] Term: **14 Years**

[21] Appl. No.: **29/106,200**

[22] Filed: **Jun. 1, 1999**

**Related U.S. Application Data**

[62] Division of application No. 29/086,726, Apr. 18, 1998, Pat. No. Des. 417,567.

[51] **LOC (7) Cl.** ..... **06-06**

[52] **U.S. Cl.** ..... **D6/500**

[58] **Field of Search** ..... D6/334, 373, 374,  
D6/375, 491, 500; D24/194; D25/102, 119-122,  
136, 164; D16/330; 248/345.1; 297/463.2

[56] **References Cited**

**U.S. PATENT DOCUMENTS**

D. 90,815 10/1933 Nerney ..... D16/330  
5,195,713 3/1993 Van Dore et al. .... 248/345.1

*Primary Examiner*—Doris V. Coles  
*Assistant Examiner*—Mimosa De  
*Attorney, Agent, or Firm*—Pitts & Brittian, P.C.

[57] **CLAIM**

The ornamental design for a chair trim extrusion, as shown and described.

**DESCRIPTION**

FIG. 1 is a perspective view of a chair trim extrusion of the present invention, broken in the center to indicate indeterminate length;

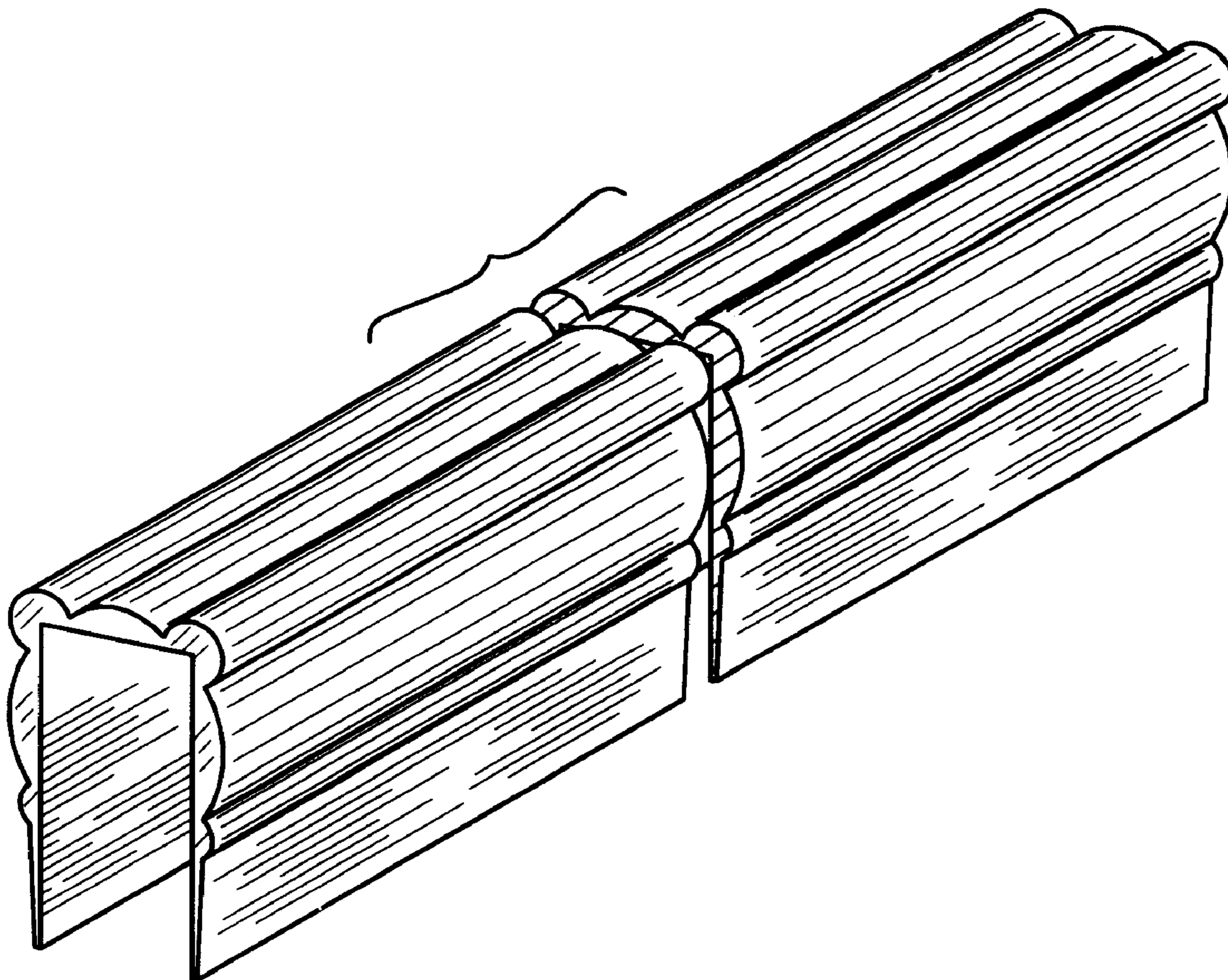
FIG. 2 is a front elevation view thereof, the rear elevation view being a mirror image thereof;

FIG. 3 is a left side elevation view thereof, the right side elevation view being a mirror image thereof;

FIG. 4 is a top plan view thereof; and,

FIG. 5 is a bottom plan view thereof.

**1 Claim, 2 Drawing Sheets**



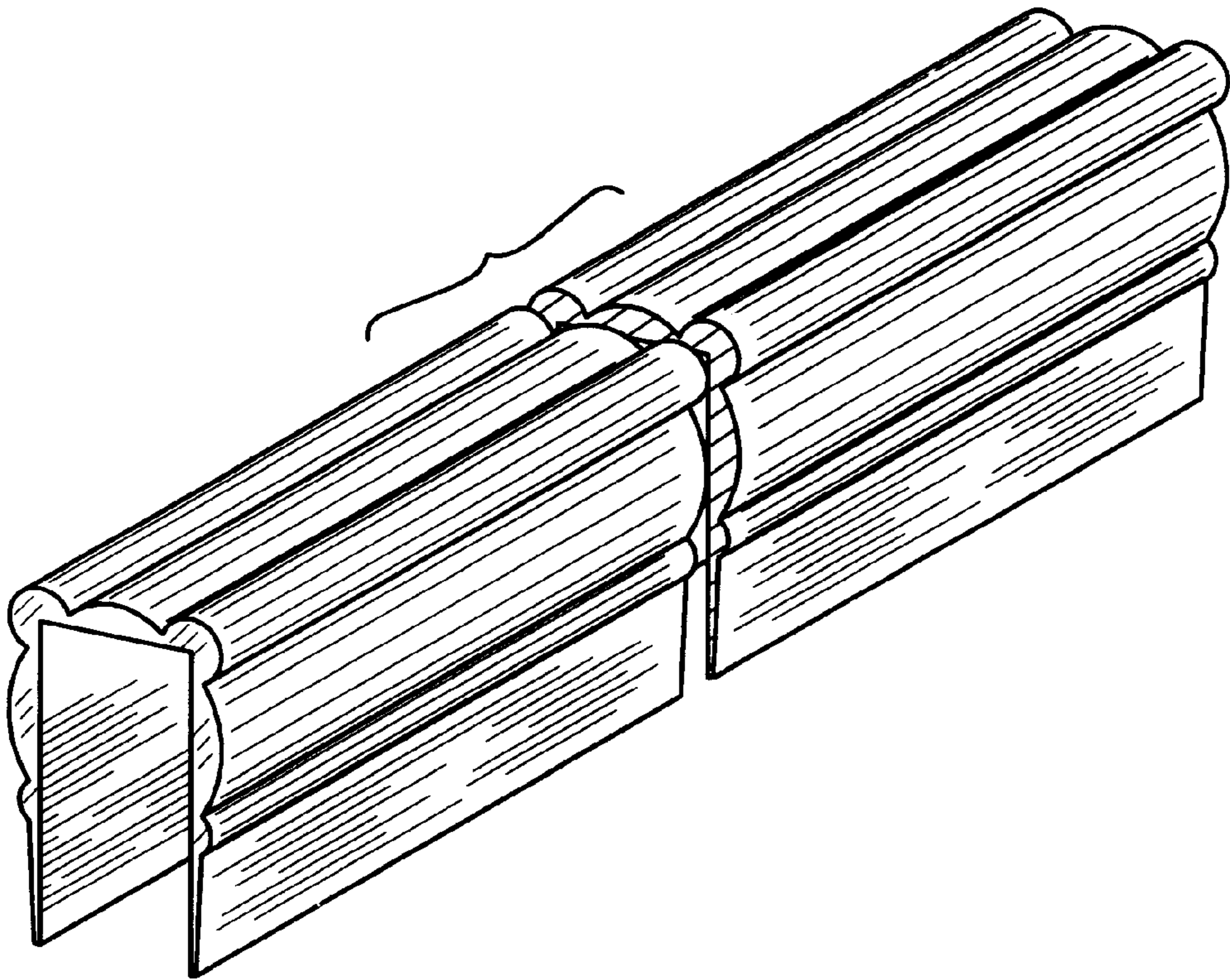


Fig. 1

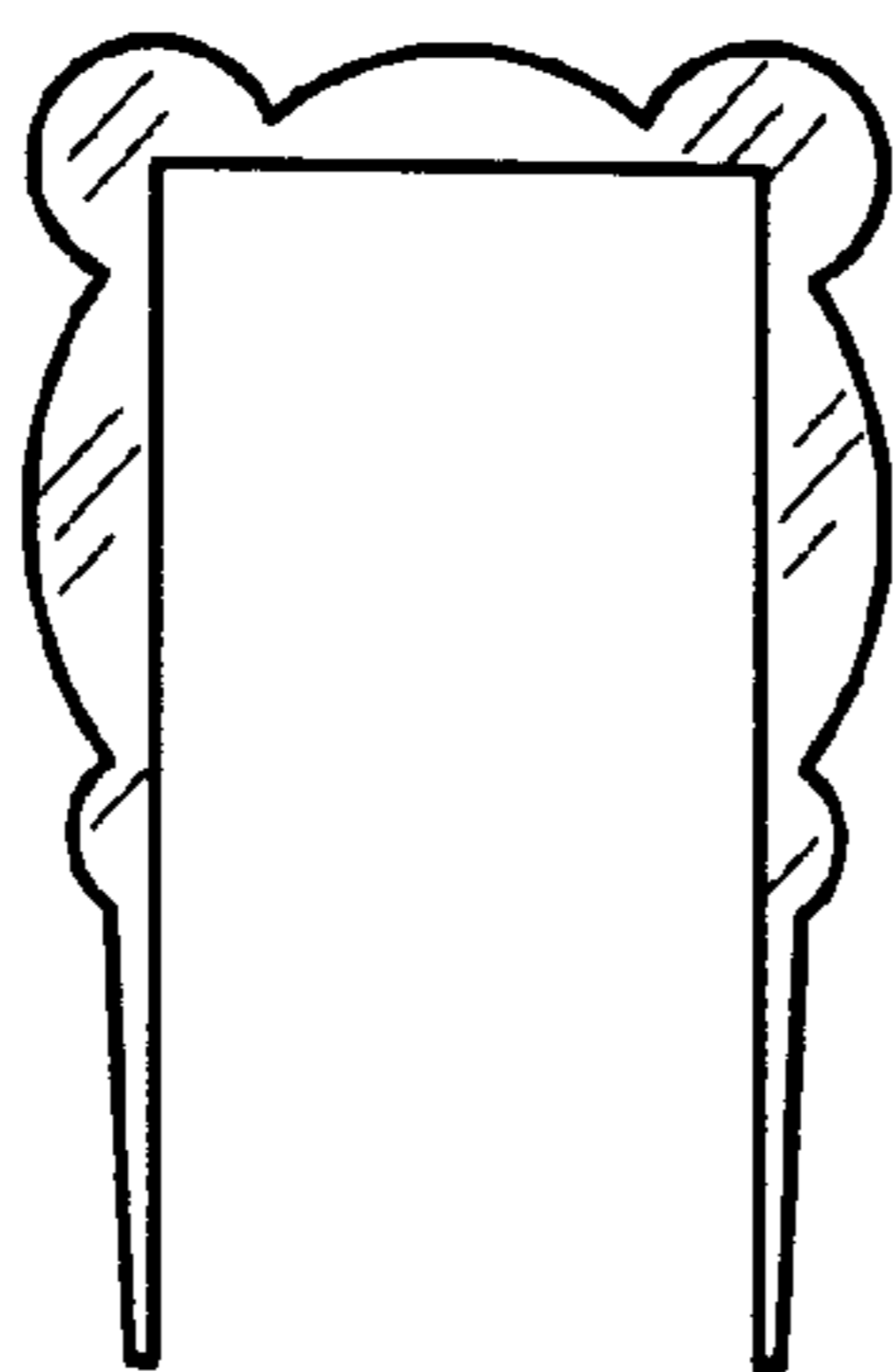


Fig. 2

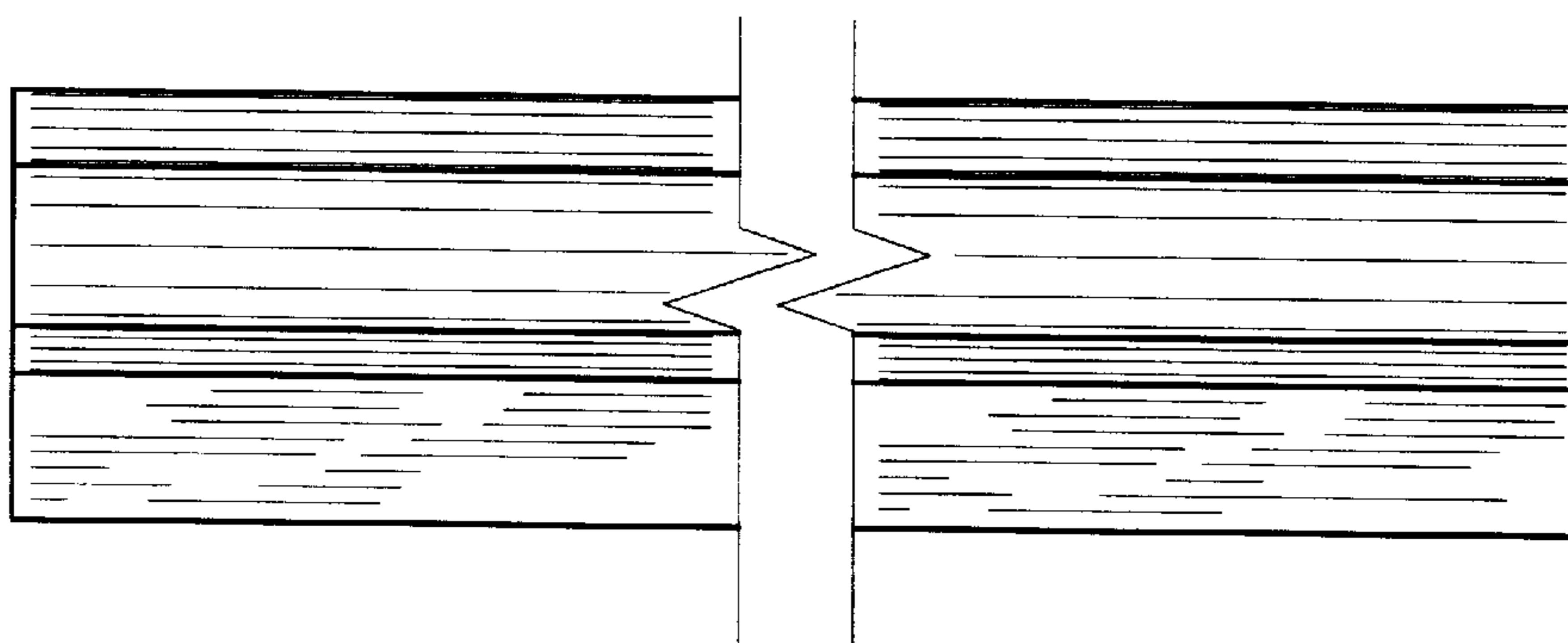


Fig. 3

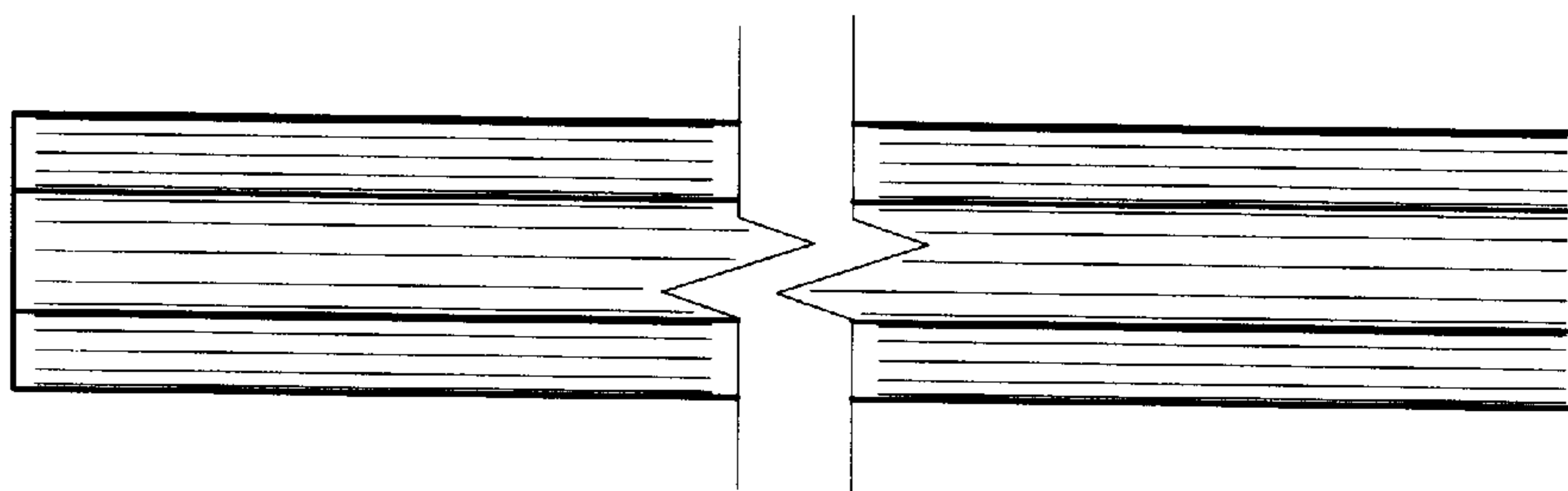


Fig. 4

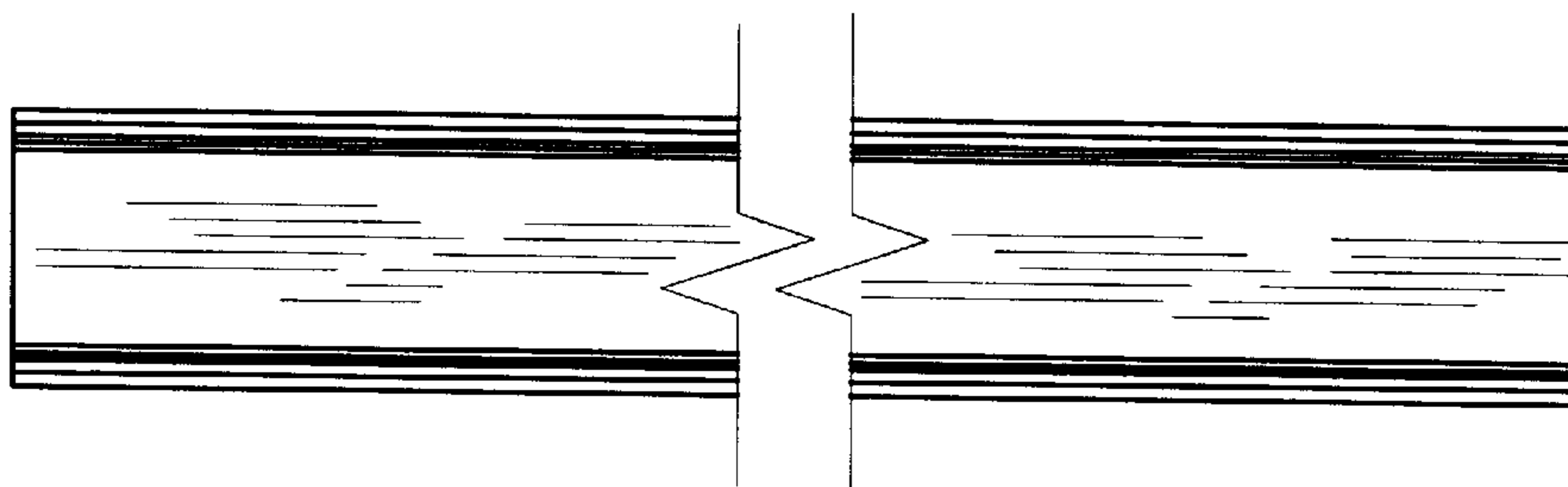


Fig. 5