



US00D433586S

United States Patent [19]
Camfferman

[11] **Patent Number: Des. 433,586**

[45] **Date of Patent: ** Nov. 14, 2000**

[54] **TOP ELEMENT FOR FURNITURE**

DESCRIPTION

[75] Inventor: **Brent Camfferman**, Winnipeg, Canada

[73] Assignee: **Palliser Furniture Ltd.**, Winnipeg, Canada

[**] Term: **14 Years**

[21] Appl. No.: **29/108,559**

[22] Filed: **Jul. 29, 1999**

[51] **LOC (7) Cl.** **06-06**

[52] **U.S. Cl.** **D6/491; D6/300; D6/505**

[58] **Field of Search** D6/382, 385, 388-395,
D6/505-508, 300-314; 5/53.1, 907, 280,
281, 279.1; 40/700, 711, 714, 716, 735,
744, 745, 765, 766, 780, 790

[56] **References Cited**

U.S. PATENT DOCUMENTS

D. 377,568 1/1997 Cain D6/505
D. 413,023 8/1999 Zaidman D6/300

OTHER PUBLICATIONS

Exposures Holiday 1994, p. 23, frame #H at right.

Primary Examiner—Janice E. Seeger

Attorney, Agent, or Firm—Barnes & Thornburg

[57] **CLAIM**

The ornamental design for a top element for furniture, as shown and described.

FIG. 1 is a front, right side perspective view of a top element for furniture showing my design, and the front, left side perspective view is a mirror image; the rear perspective views are the same as the front;

FIG. 2 is a front view of the headboard of FIG. 1, the rear view being the same;

FIG. 3 is a cross-sectional view at 3—3 in FIG. 2, and is representative of such cross sections in FIG. 5;

FIG. 4 is a front, right side perspective view of another headboard showing my design, the front, left side perspective view being a mirror image; the rear perspective views are the same;

FIG. 5 is a front view of the headboard of FIG. 4, the rear view being the same;

FIG. 6 is a front, right side perspective view of a mirror showing my design, and the front, left side perspective view is a mirror image; the rear perspective views are the same as the front;

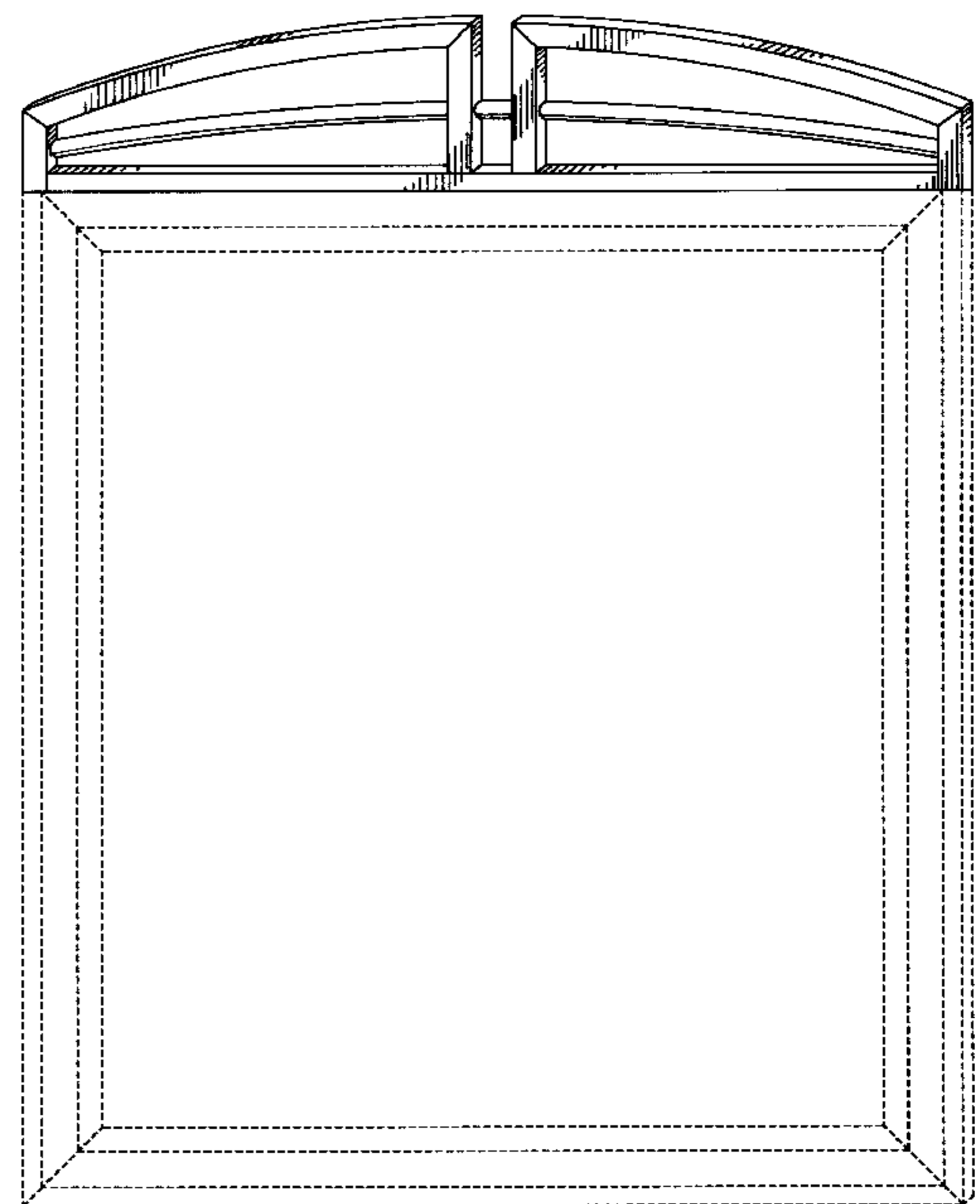
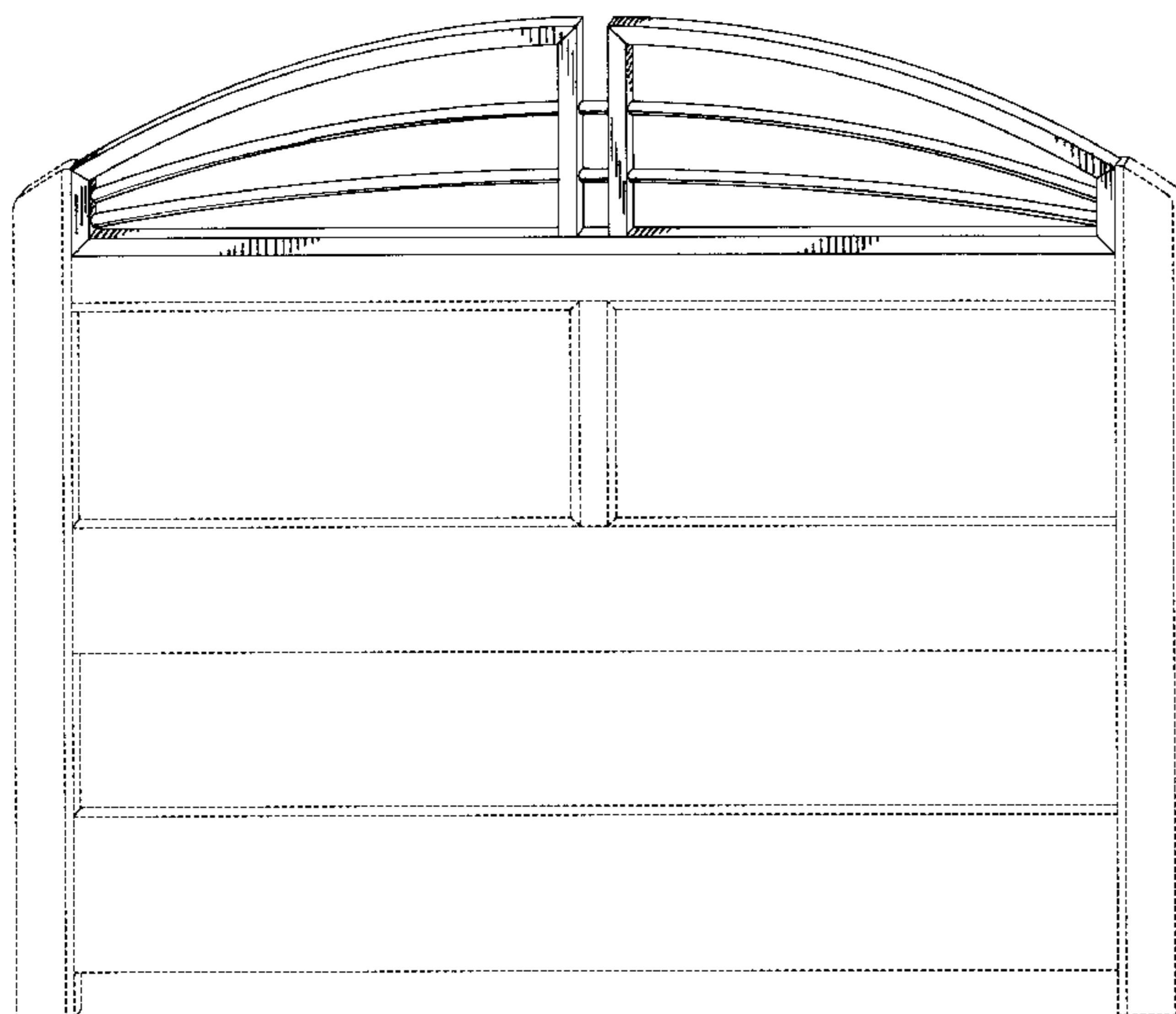
FIG. 7 is a front view of the mirror of FIG. 6 and the rear view is the same.

FIG. 8 is a cross sectional view at 8—8 in FIG. 7; and,

FIG. 9 is a vertical cross section view at 9—9 in FIG. 7;

The bottom views are of surfaces which form no part of the claimed design. The broken lines shown throughout the views are for illustrative purposes only and form no part of the claimed design.

1 Claim, 9 Drawing Sheets



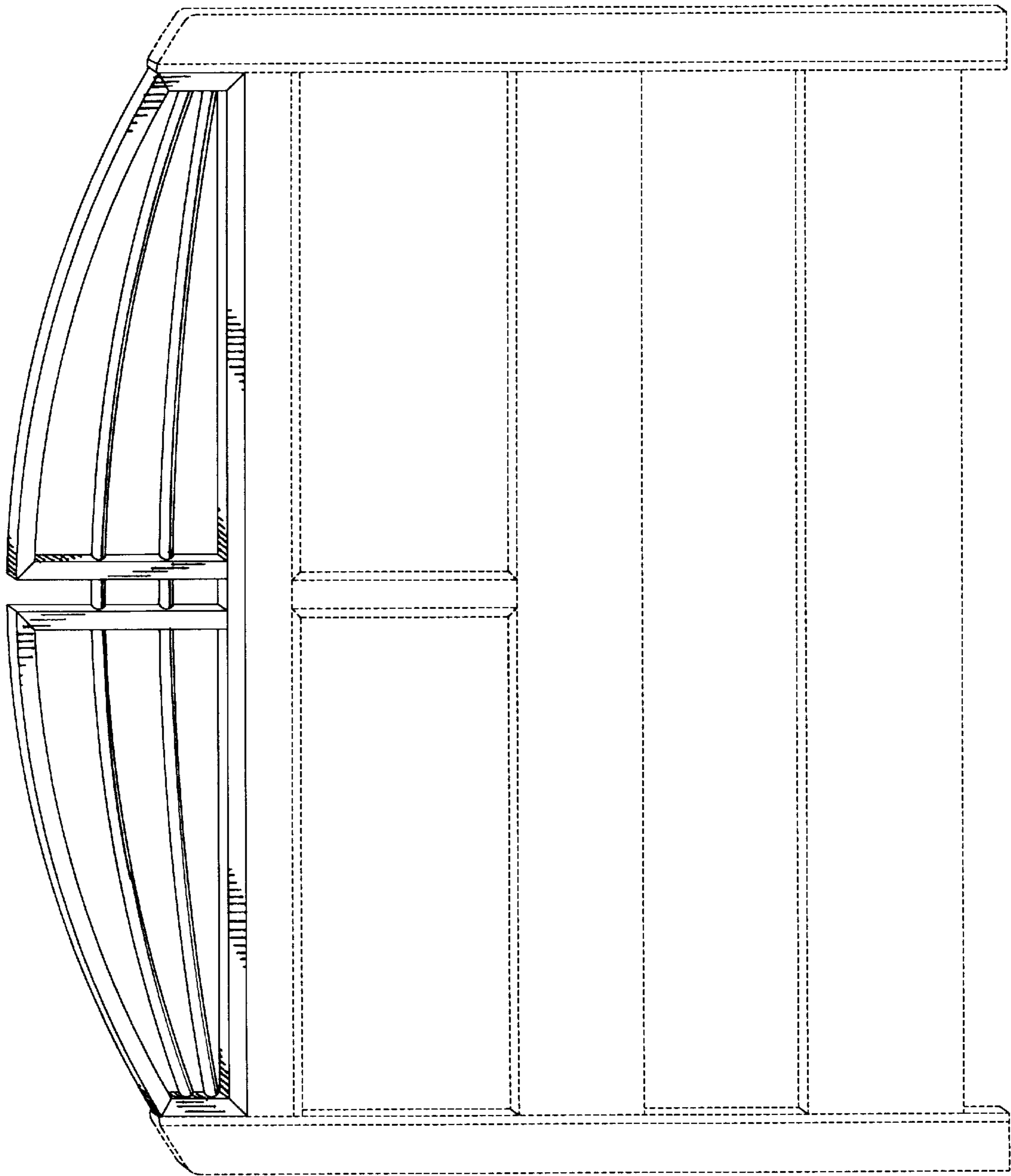


FIG. 1

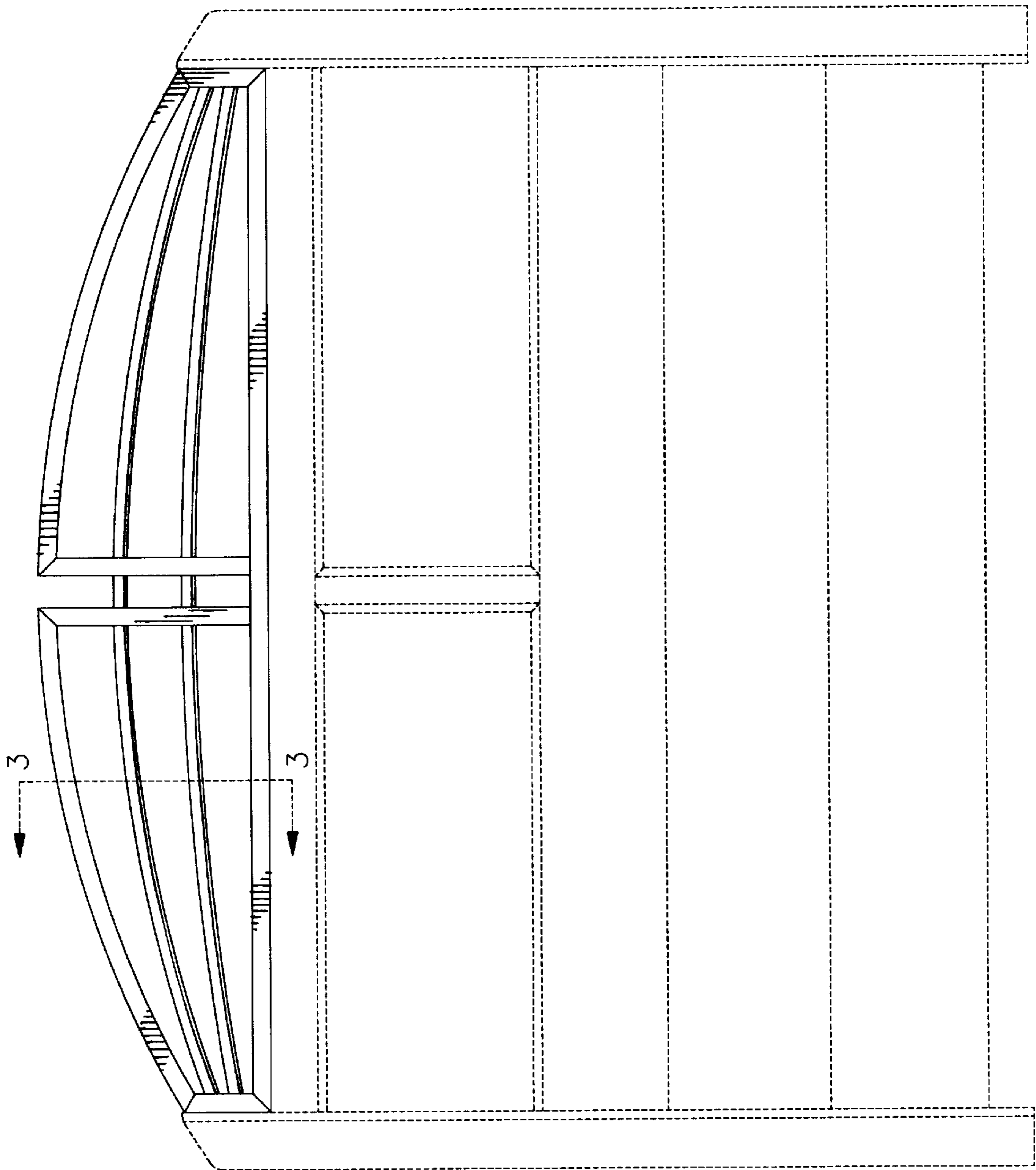
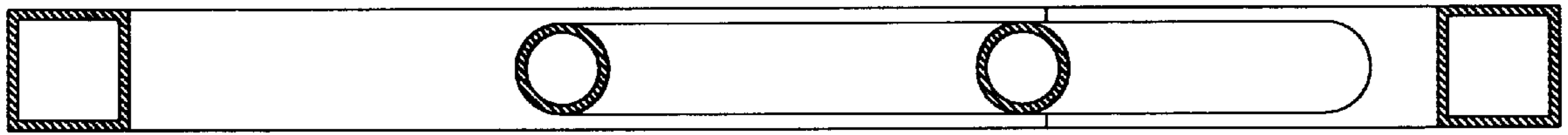


FIG. 2

FIG. 3



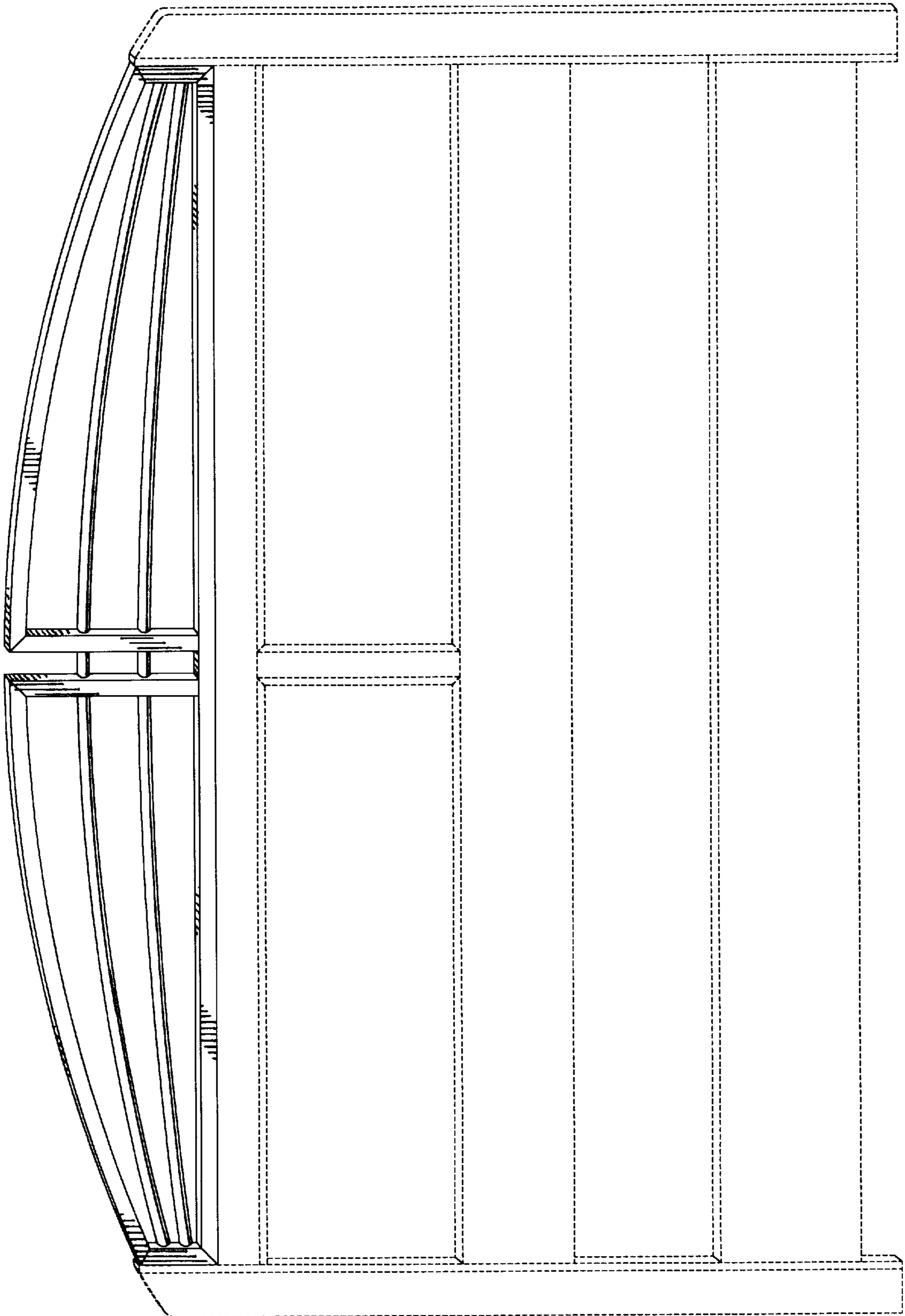


FIG. 4

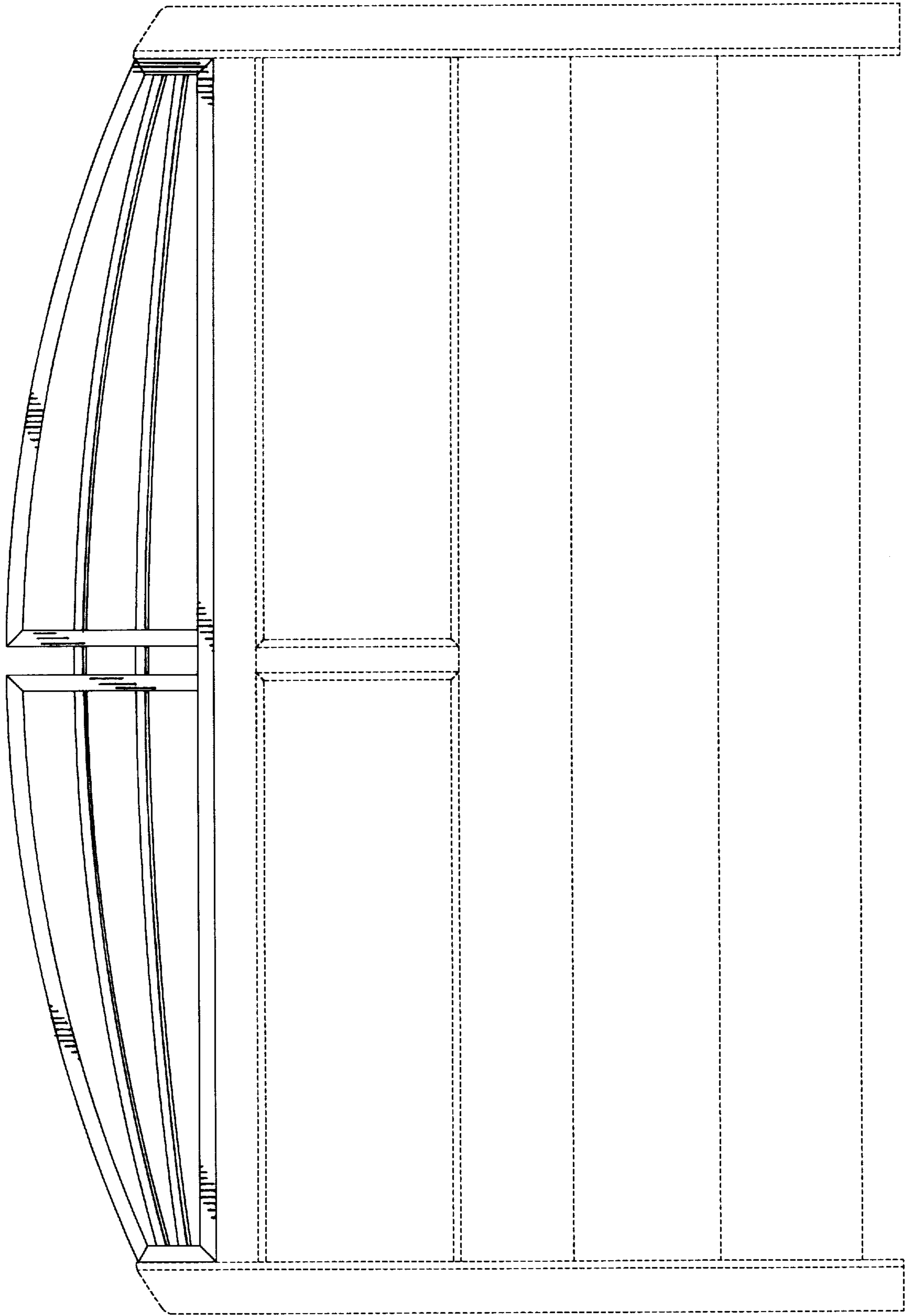


FIG. 5

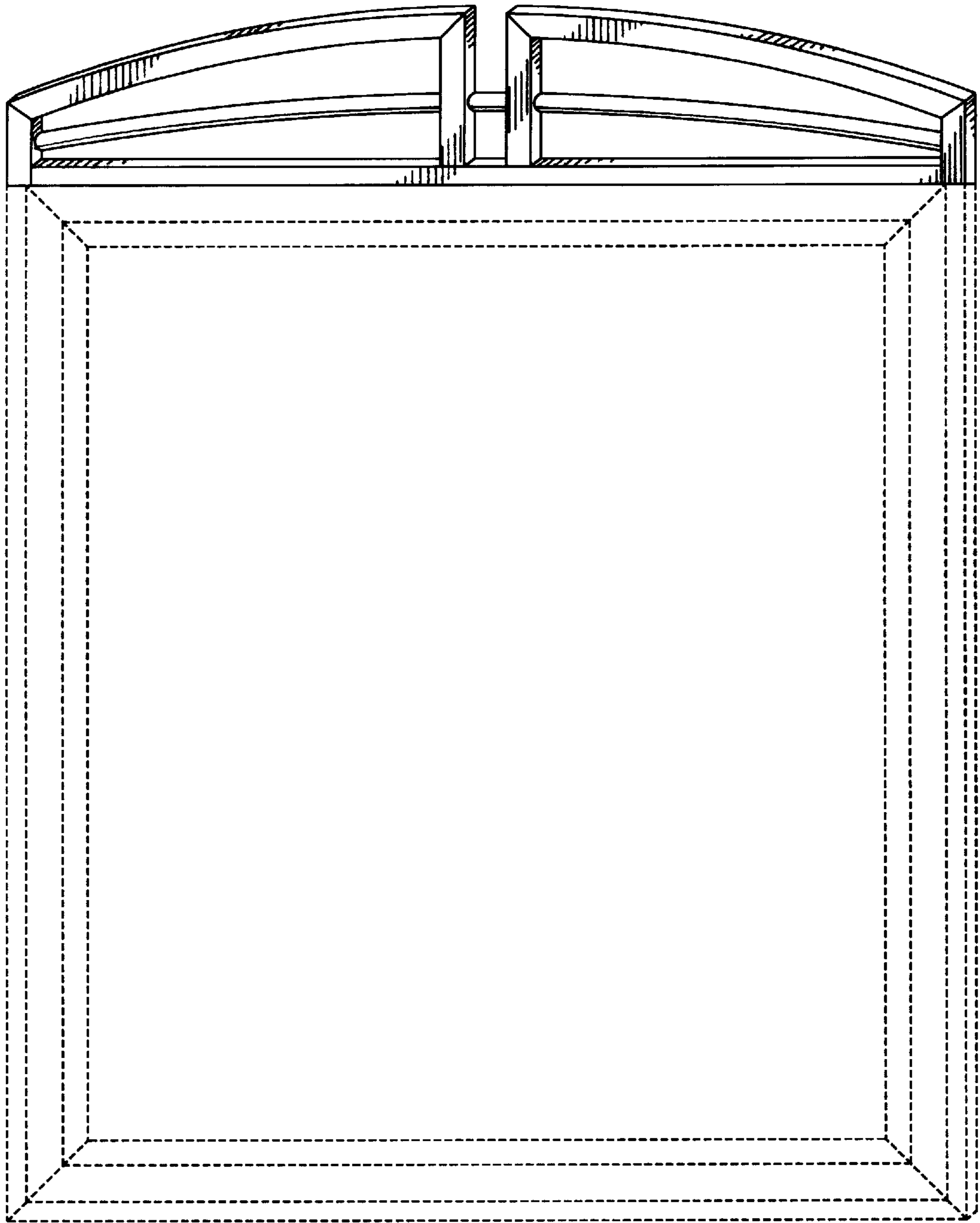


FIG. 6

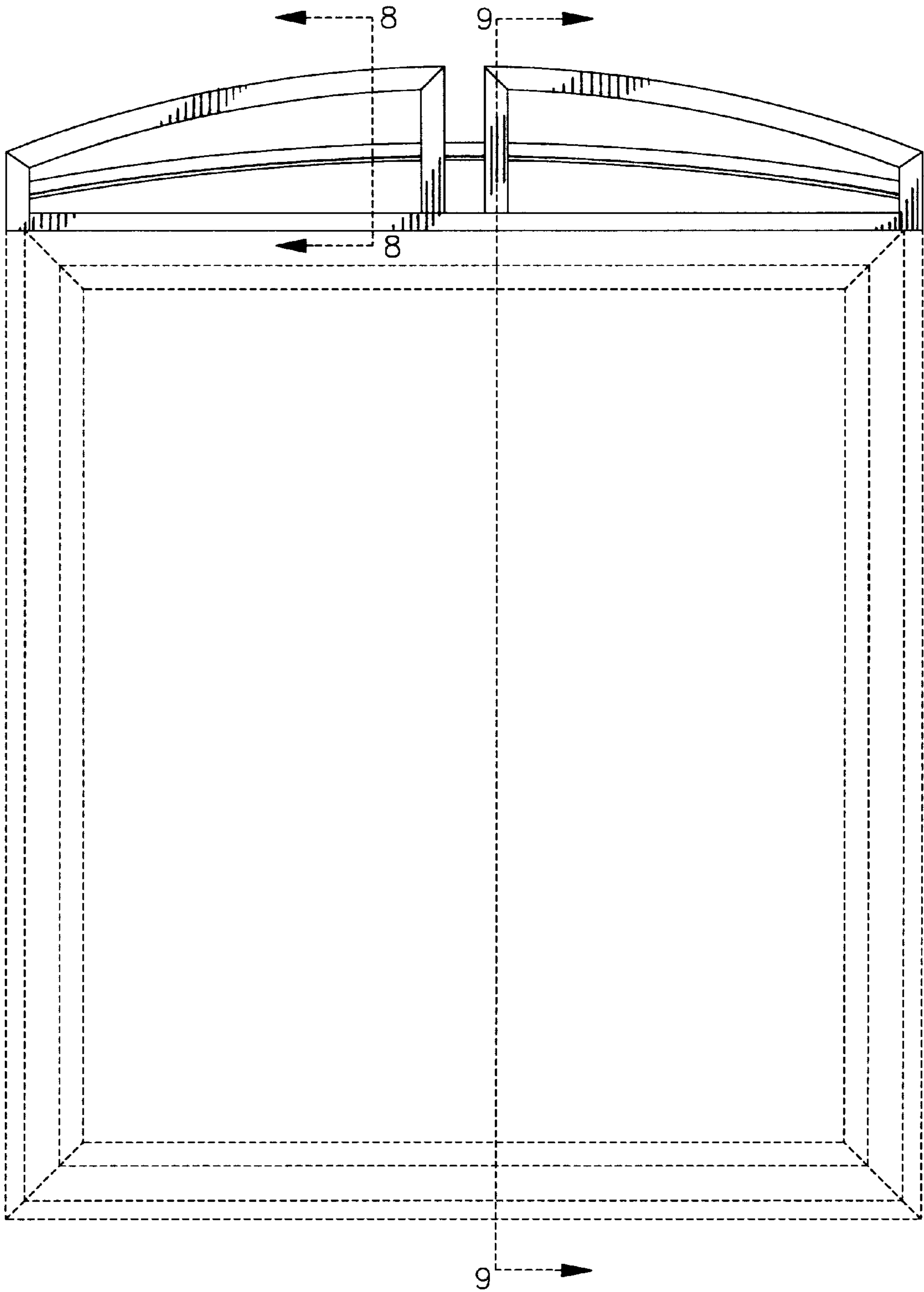


FIG. 7

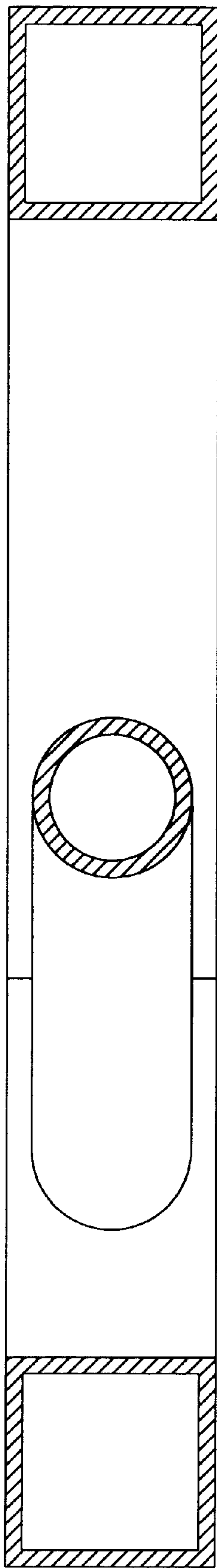


FIG. 8



FIG. 9