



US00D433585S

United States Patent [19]

Bowers et al.

[11] Patent Number: **Des. 433,585**

[45] Date of Patent: **** Nov. 14, 2000**

[54] **CASKET CORNER DISPLAY**

[75] Inventors: **David Todd Bowers**, Batesville, Ind.;
William Anthony Colson, Hebron, Ky.

[73] Assignee: **Batesville Services, Inc.**, Batesville, Ind.

[**] Term: **14 Years**

[21] Appl. No.: **29/107,704**

[22] Filed: **Jul. 12, 1999**

[51] **LOC (7) Cl.** **99-00**

[52] **U.S. Cl.** **D6/476; D99/8**

[58] **Field of Search** D99/1, 13, 8, 9;
27/1, 10, 18, 26; D6/446, 476, 478, 479;
312/234, 242, 238; D20/10, 19, 29, 42

[56] **References Cited**

U.S. PATENT DOCUMENTS

- D. 263,534 3/1982 Markus D6/478
- D. 264,659 6/1982 Markus D6/476

- D. 350,010 8/1994 May et al. .
- D. 399,880 10/1998 Riga D20/29
- D. 403,896 1/1999 Bartling et al. .
- D. 404,884 1/1999 Salatin et al. D99/8
- D. 407,180 3/1999 Riga D99/8
- 4,324,026 4/1982 Craft .

Primary Examiner—Paula A. Mortimer
Attorney, Agent, or Firm—Wood, Herron & Evans, L.L.P.

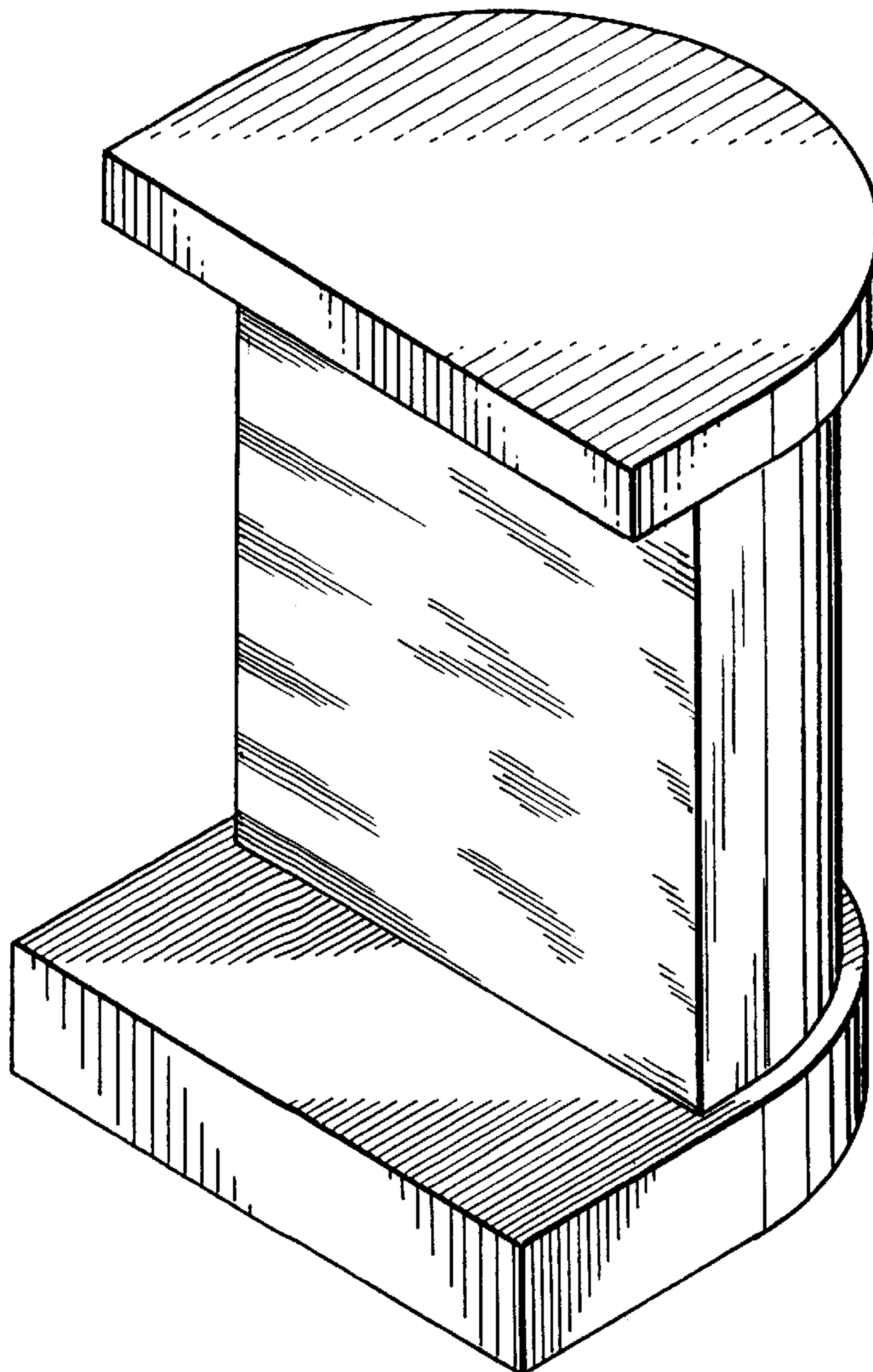
[57] **CLAIM**

The ornamental design for a casket corner display, as shown and described.

DESCRIPTION

FIG. 1 is a rear elevational view of a casket corner display showing our new design, FIG. 2 is a bottom view thereof; FIG. 3 is a front perspective view thereof; FIG. 4 is a front elevational view thereof; FIG. 5 is a right side elevational view thereof, the left side is a mirror image; and, FIG. 6 is a top plan view thereof.

1 Claim, 3 Drawing Sheets



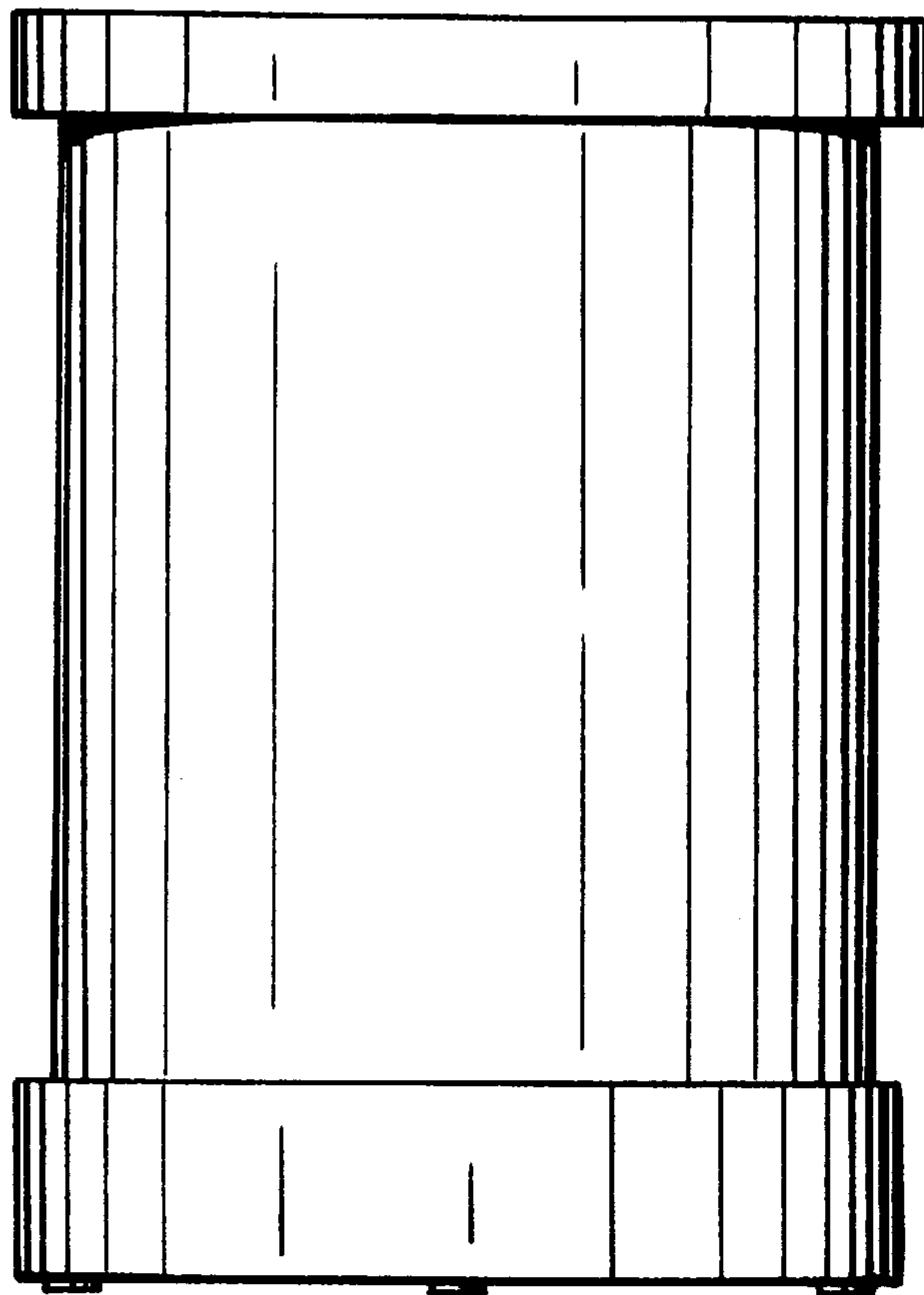


FIG. 1

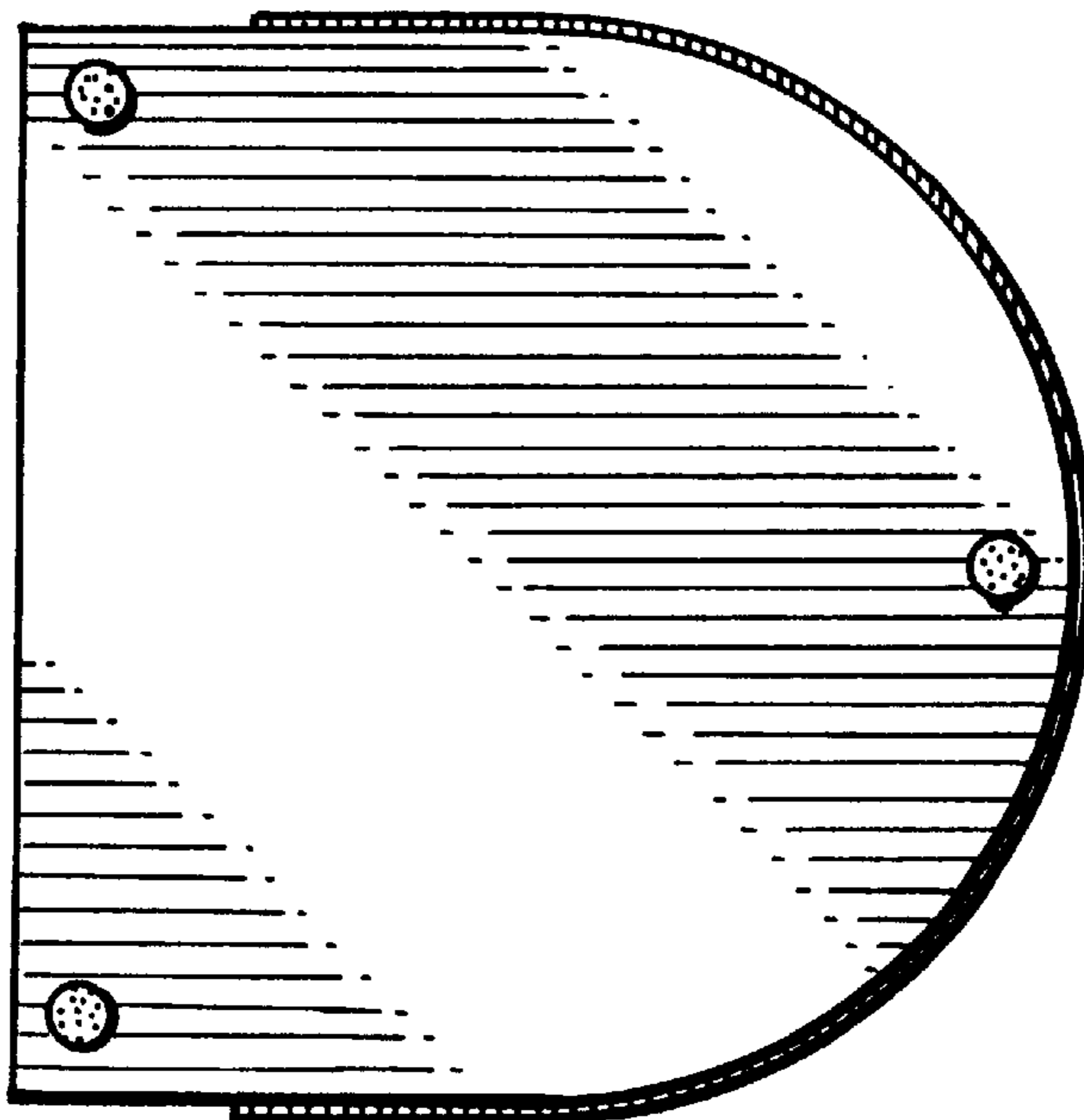


FIG. 2

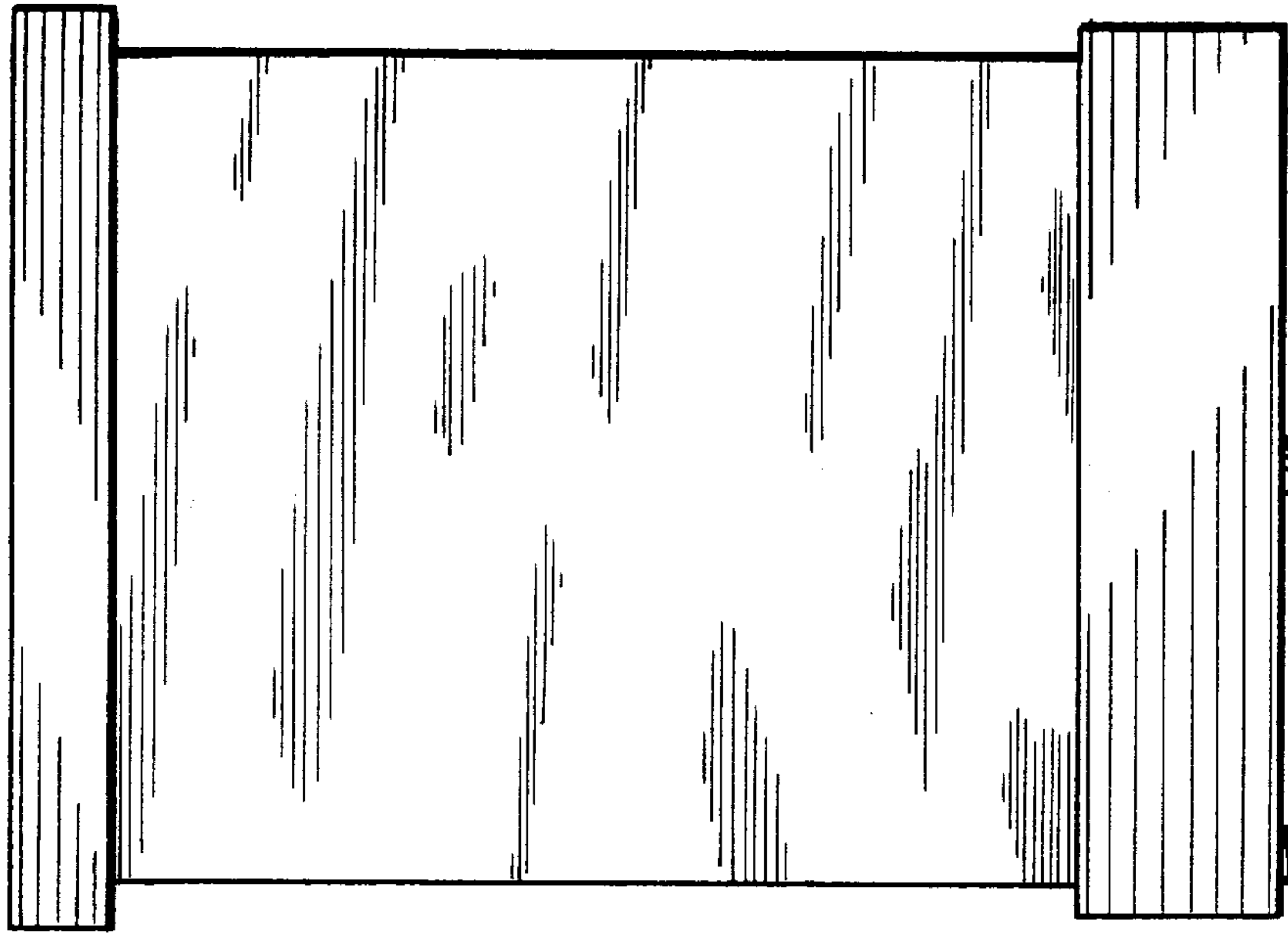


FIG. 4

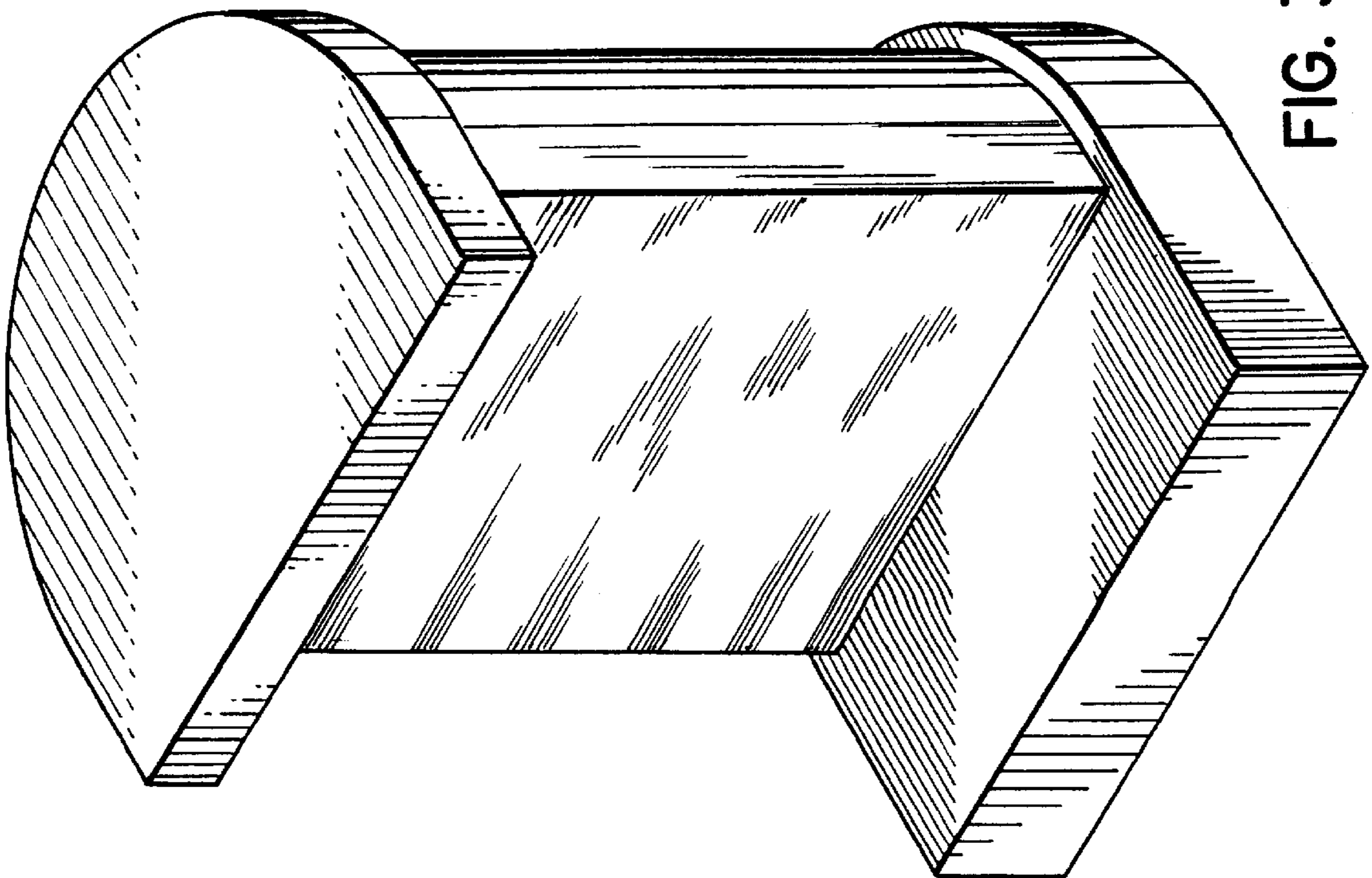


FIG. 3

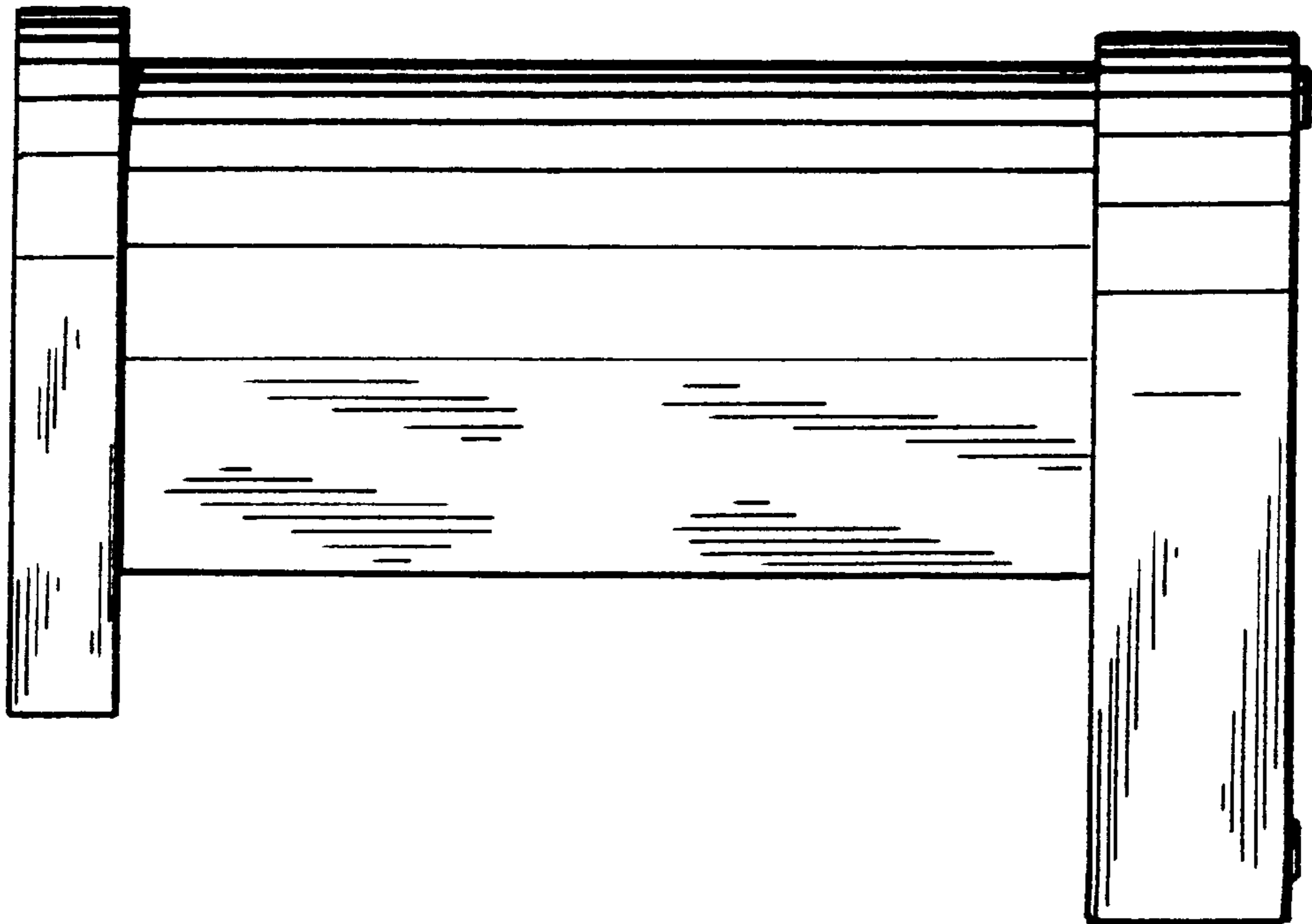


FIG. 5

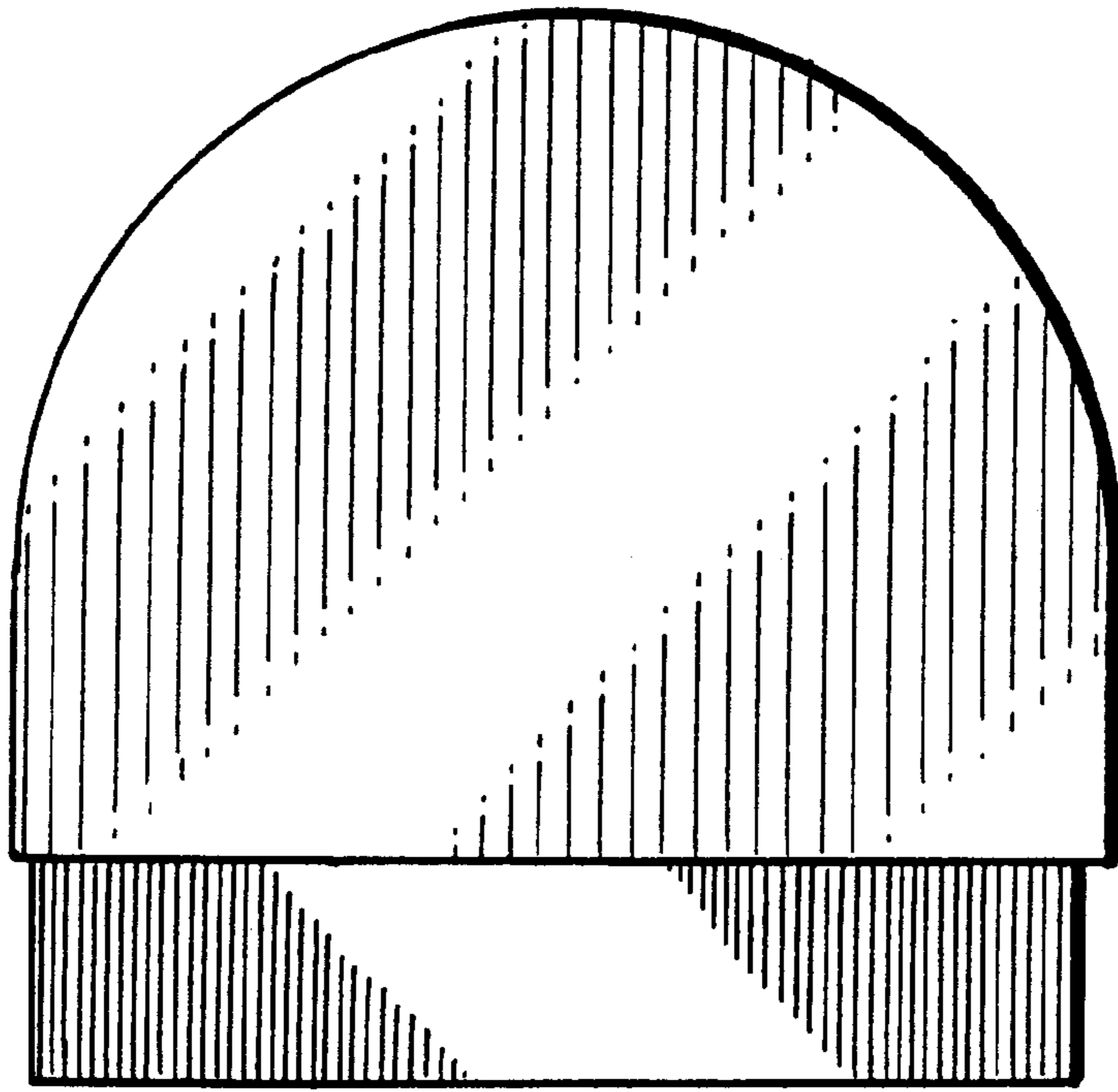


FIG. 6