



US00D433583S

# United States Patent [19] Ramsay

[11] **Patent Number: Des. 433,583**

[45] **Date of Patent: \*\* Nov. 14, 2000**

[54] **BOOK RACK**

[76] Inventor: **Edgar Ramsay**, 11 Arno Street,  
Hamilton, Ontario, Canada, L8W 1L9

[\*\*] Term: **14 Years**

[21] Appl. No.: **29/110,649**

[22] Filed: **Sep. 10, 1999**

[51] **LOC (7) Cl.** ..... **06-04**

[52] **U.S. Cl.** ..... **D6/464**

[58] **Field of Search** ..... D6/313, 396, 411,  
D6/419, 449, 462, 464; 211/34, 41.1, 41.2,  
41.4, 42, 43, 181.1

[56] **References Cited**

**U.S. PATENT DOCUMENTS**

- D. 283,570 4/1986 Penner ..... D6/464
- D. 322,378 12/1991 Colman ..... D6/510 X
- D. 324,139 2/1992 Frazier ..... D6/411

- D. 324,787 3/1992 Evans ..... D6/411
- 4,569,447 2/1986 Cifranic ..... 211/42
- 5,172,816 12/1992 Kline et al. .... 211/37

*Primary Examiner*—Cathron B. Matta

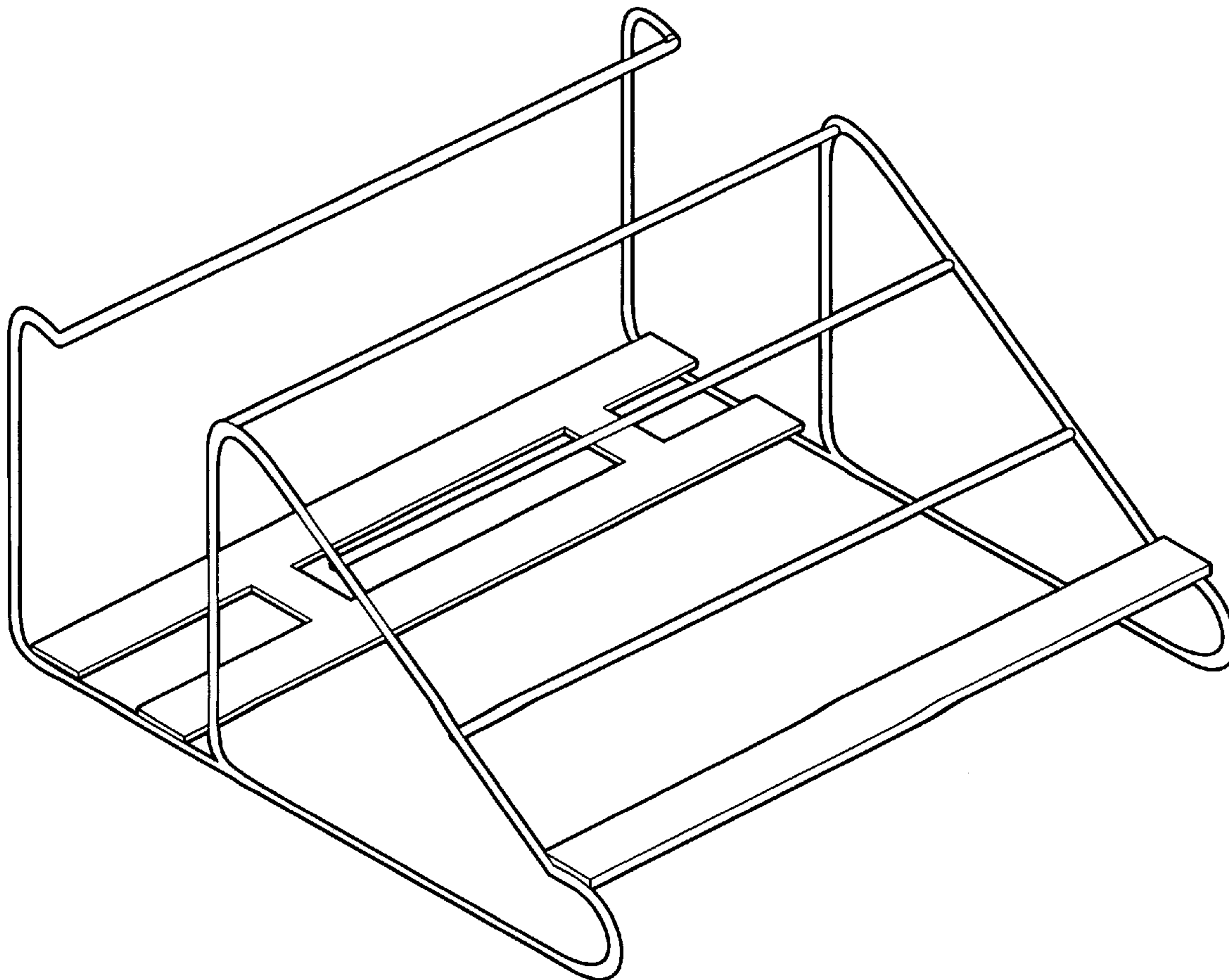
[57] **CLAIM**

The ornamental design for a book rack, as shown.

**DESCRIPTION**

FIG. 1 is a side elevational view of the present design, a book rack;  
 FIG. 2 is rear elevational view of the book rack;  
 FIG. 3 is a top plan view of the book rack;  
 FIG. 4 is a side elevational view of the book rack;  
 FIG. 5 is an enlarged inverted perspective view of the book rack; and,  
 FIG. 6 is an enlarged upright perspective view of the book rack.

**1 Claim, 2 Drawing Sheets**



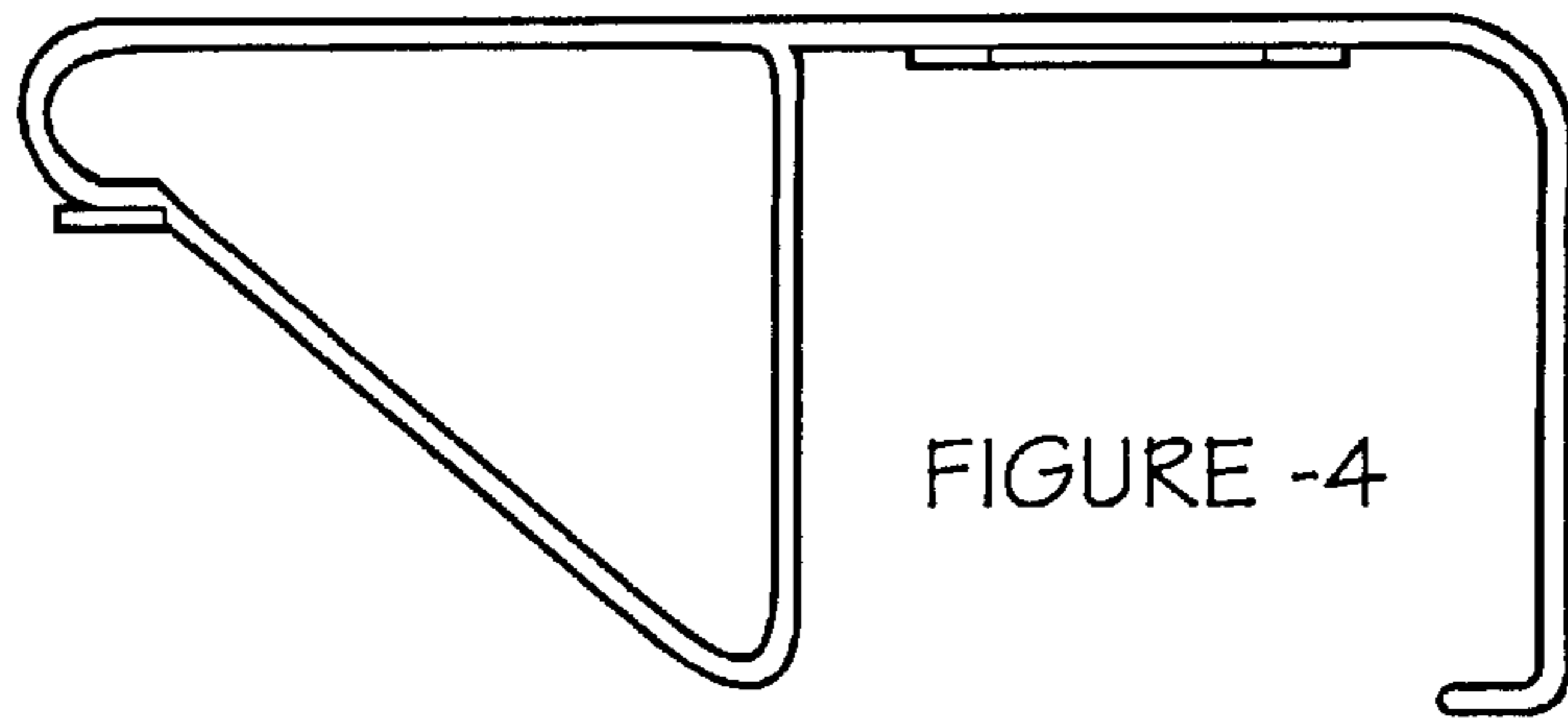
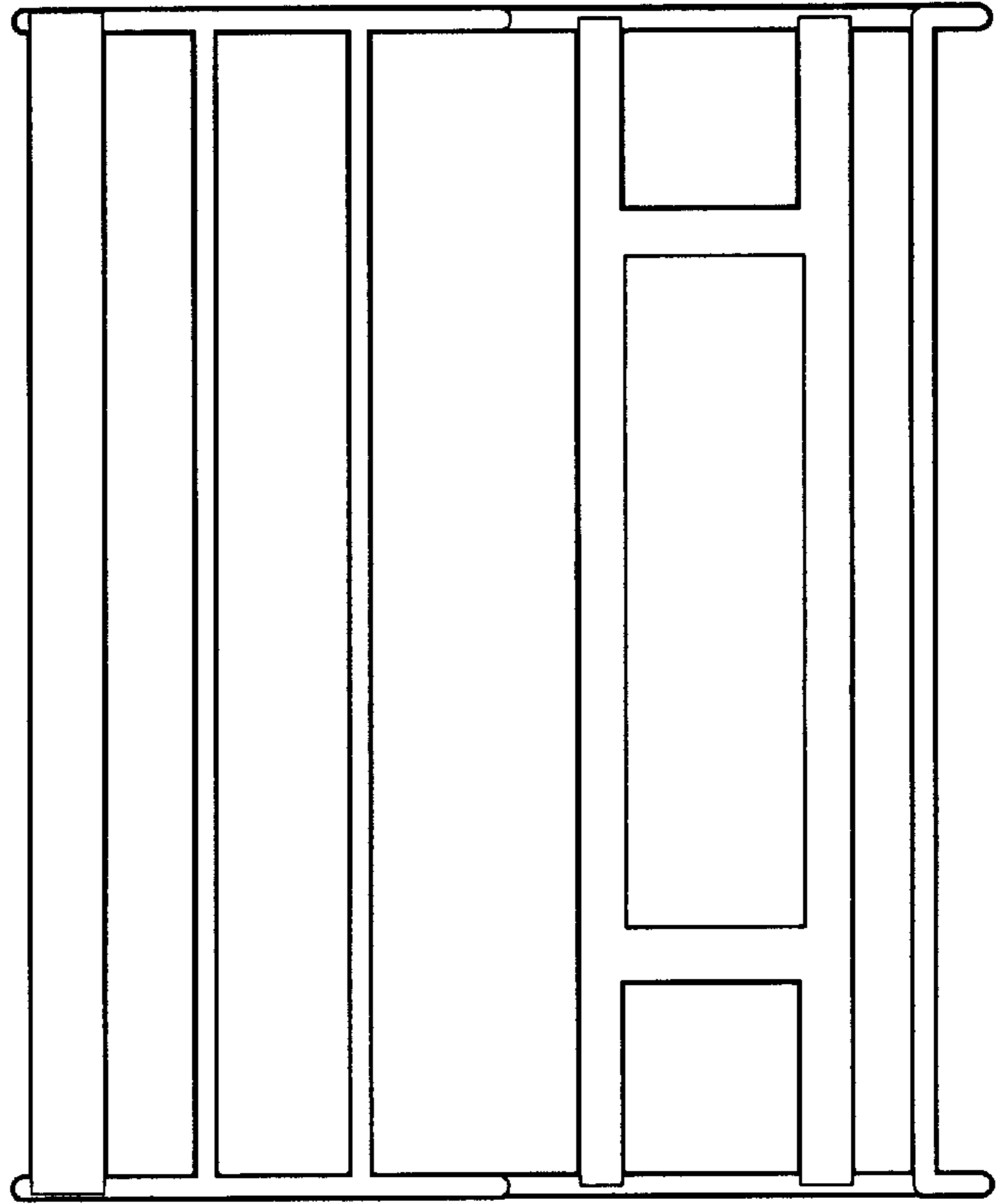
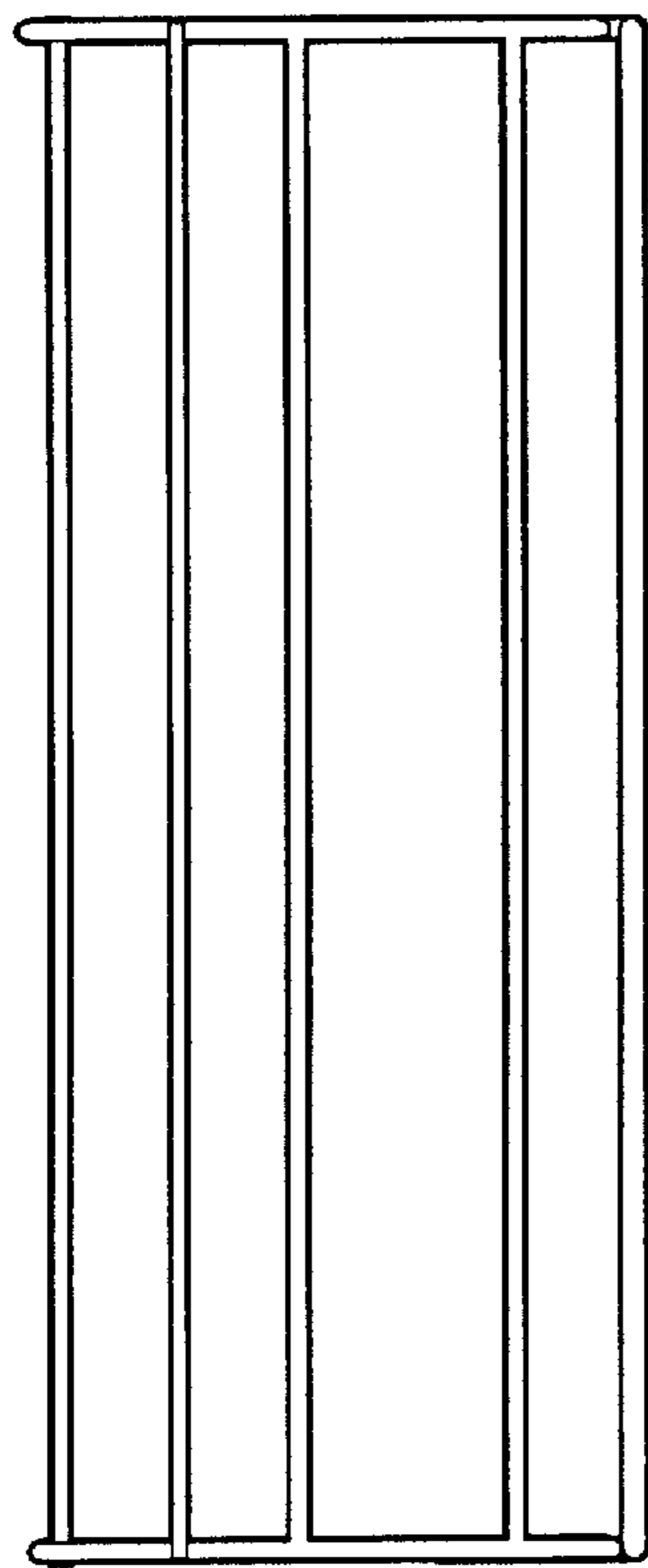
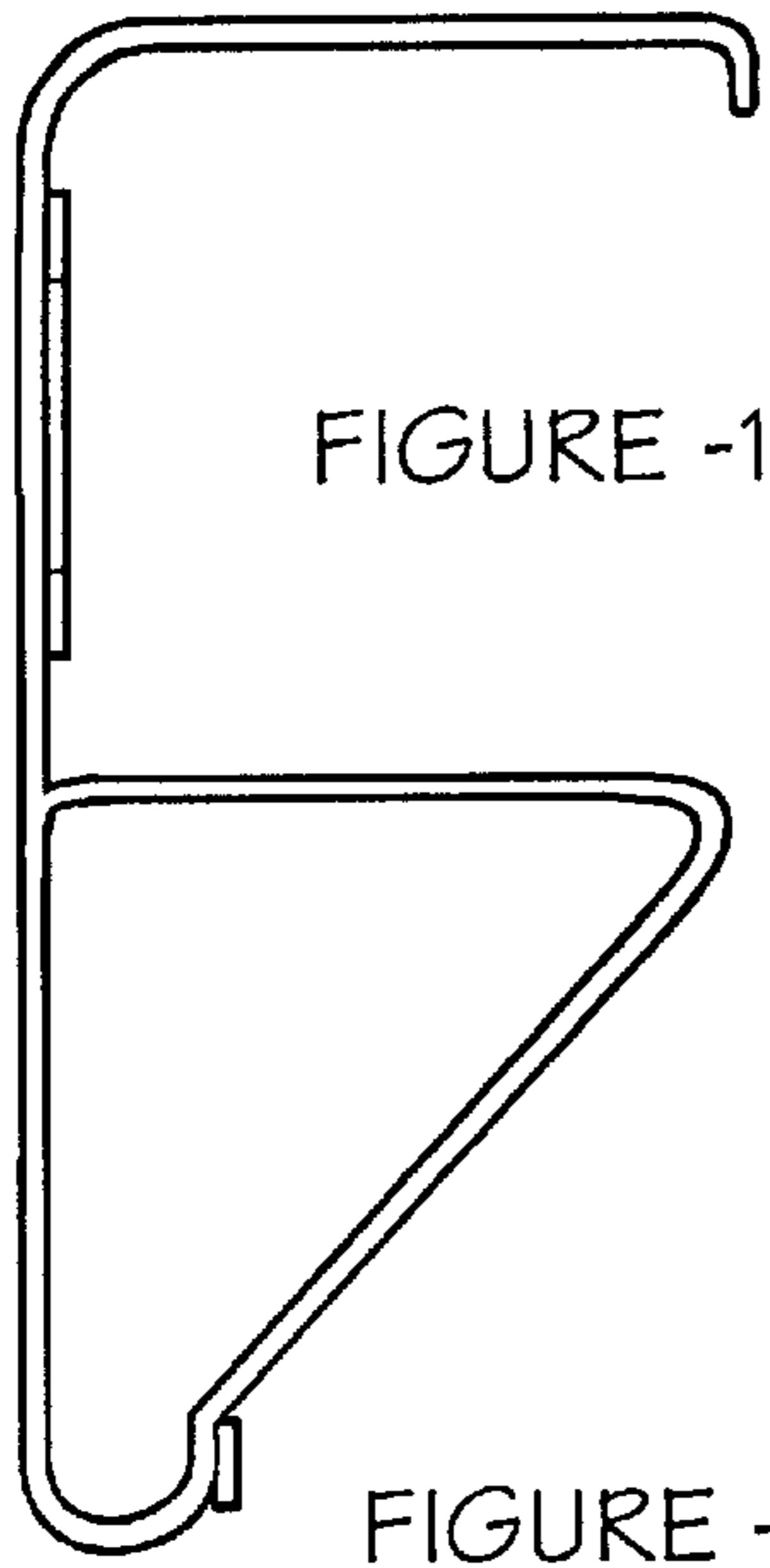


FIGURE -5

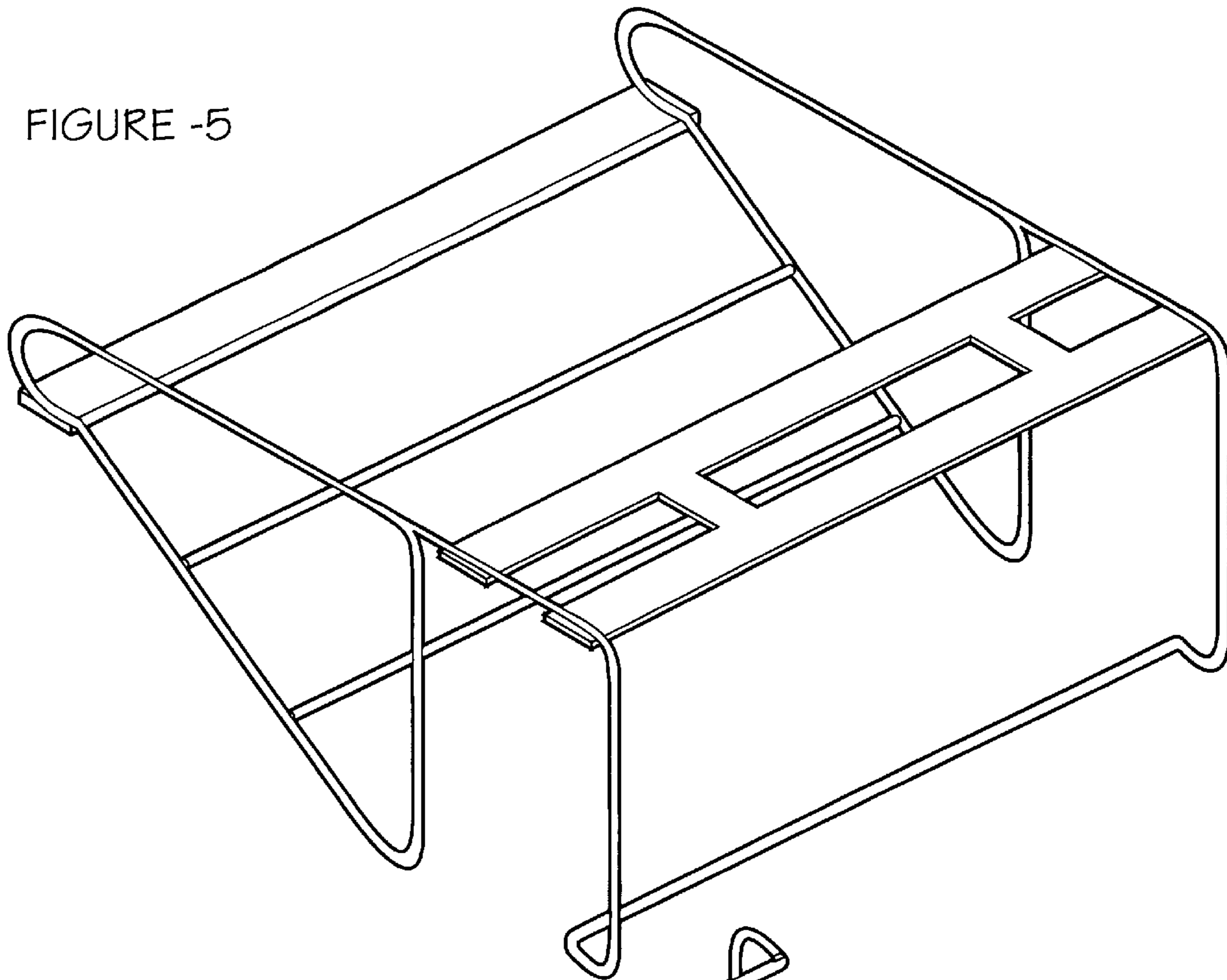


FIGURE -6

