



US00D433575S

United States Patent [19] Buehler

[11] **Patent Number: Des. 433,575**

[45] **Date of Patent: ** Nov. 14, 2000**

[54] **BASE OF A CHAIR**

[75] Inventor: **David William Buehler**, Woodland Hills, Calif.

[73] Assignee: **Minson Corporation**, Montebello, Calif.

[**] Term: **14 Years**

[21] Appl. No.: **29/115,241**

[22] Filed: **Dec. 8, 1999**

[51] **LOC (7) Cl.** **06-01**

[52] **U.S. Cl.** **D6/370; D6/380**

[58] **Field of Search** D6/334, 370, 374,
D6/376, 380, 500, 501, 502; 297/445.1,
446.1

[56] **References Cited**

U.S. PATENT DOCUMENTS

D. 194,740 3/1963 Parker D6/370

D. 202,104 8/1965 Malchior D6/376
D. 296,628 7/1988 Glass D6/380
D. 333,043 2/1993 Rehmer D6/370
4,235,473 11/1980 Aginar D6/370 X

Primary Examiner—Gary D. Watson
Attorney, Agent, or Firm—Lyon & Lyon LLP

[57] **CLAIM**

The ornamental design for a base of a chair, as shown and described.

DESCRIPTION

FIG. 1 is a left top front perspective view of the new design; FIG. 2 is a left side elevation view thereof; FIG. 3 is a front side elevation view thereof; FIG. 4 is a top plan view thereof; FIG. 5 is a rear side elevation view thereof; and, FIG. 6 is a bottom plan view thereof; The broken lines illustrate the environmental structure of the base of the chair, and form no part of the claimed design.

1 Claim, 2 Drawing Sheets

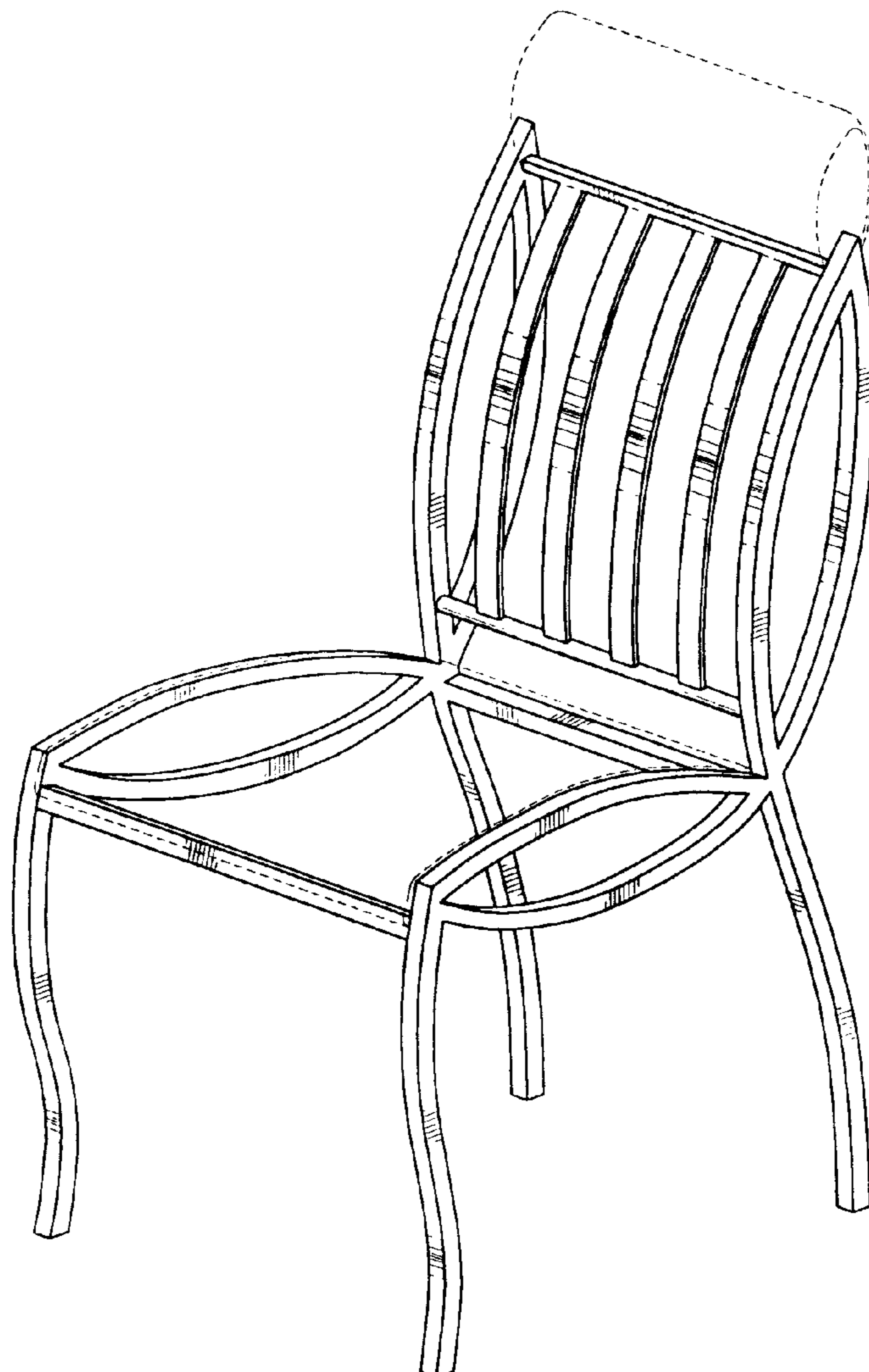


FIG. 1

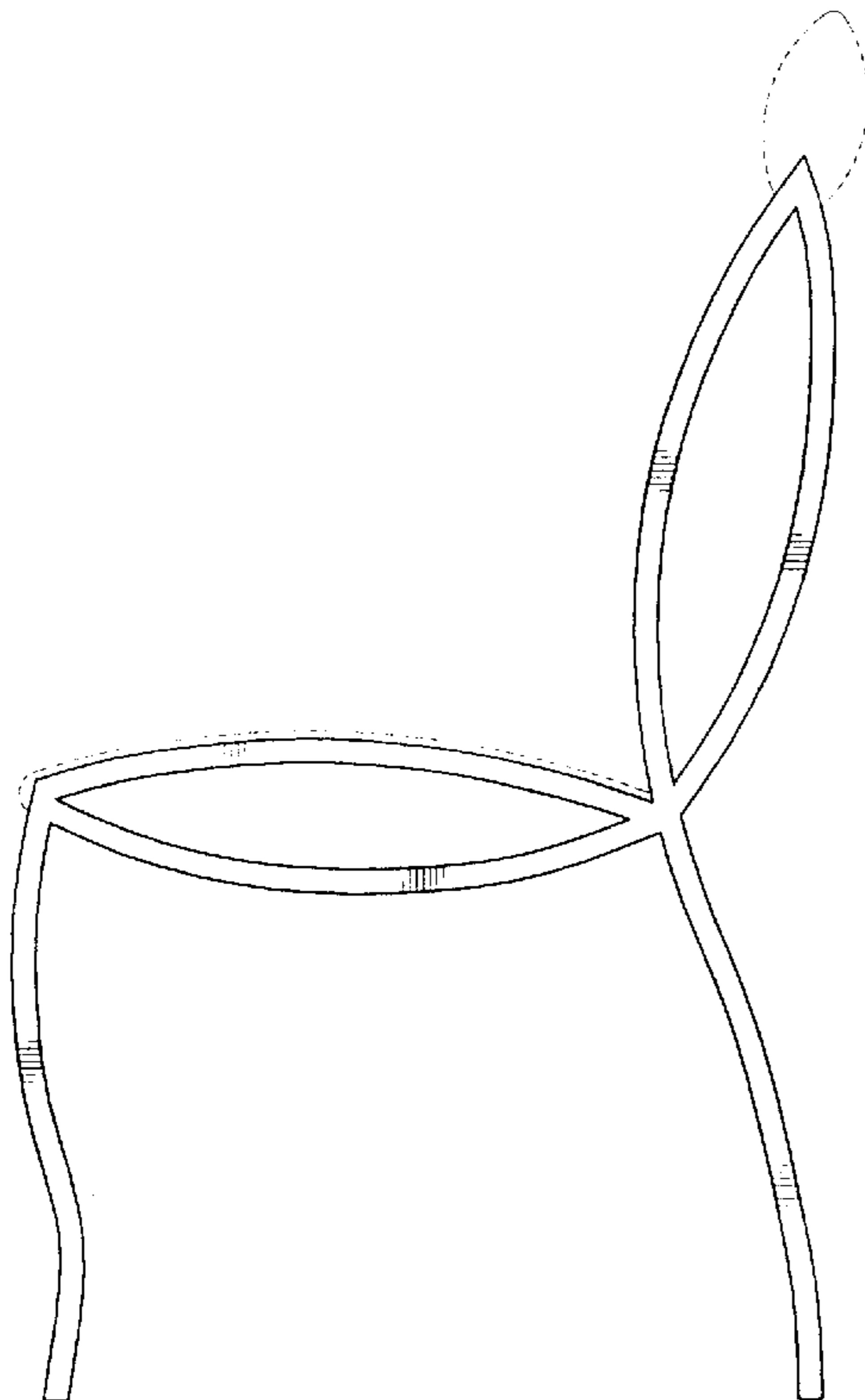
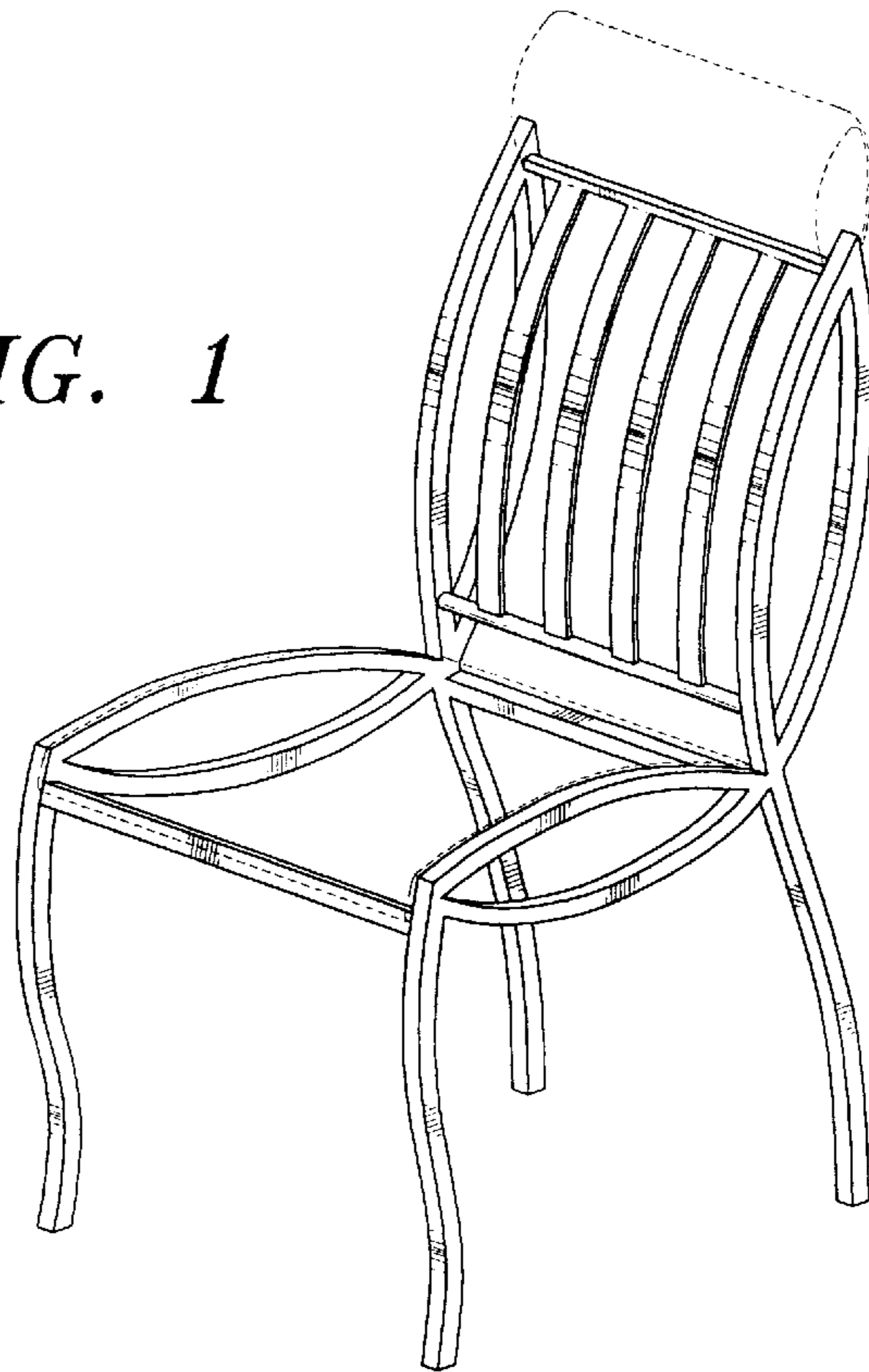


FIG. 2

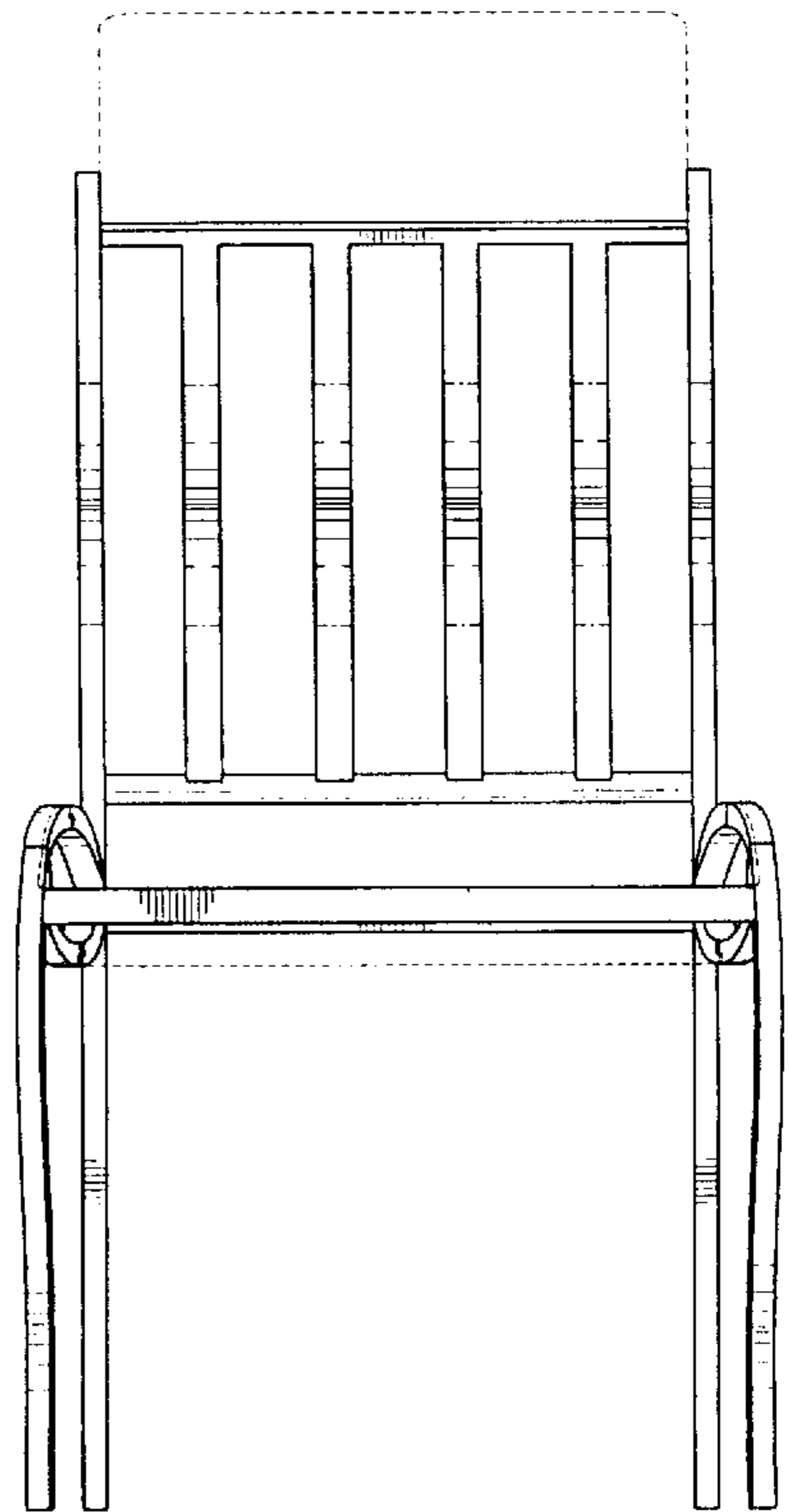


FIG. 3

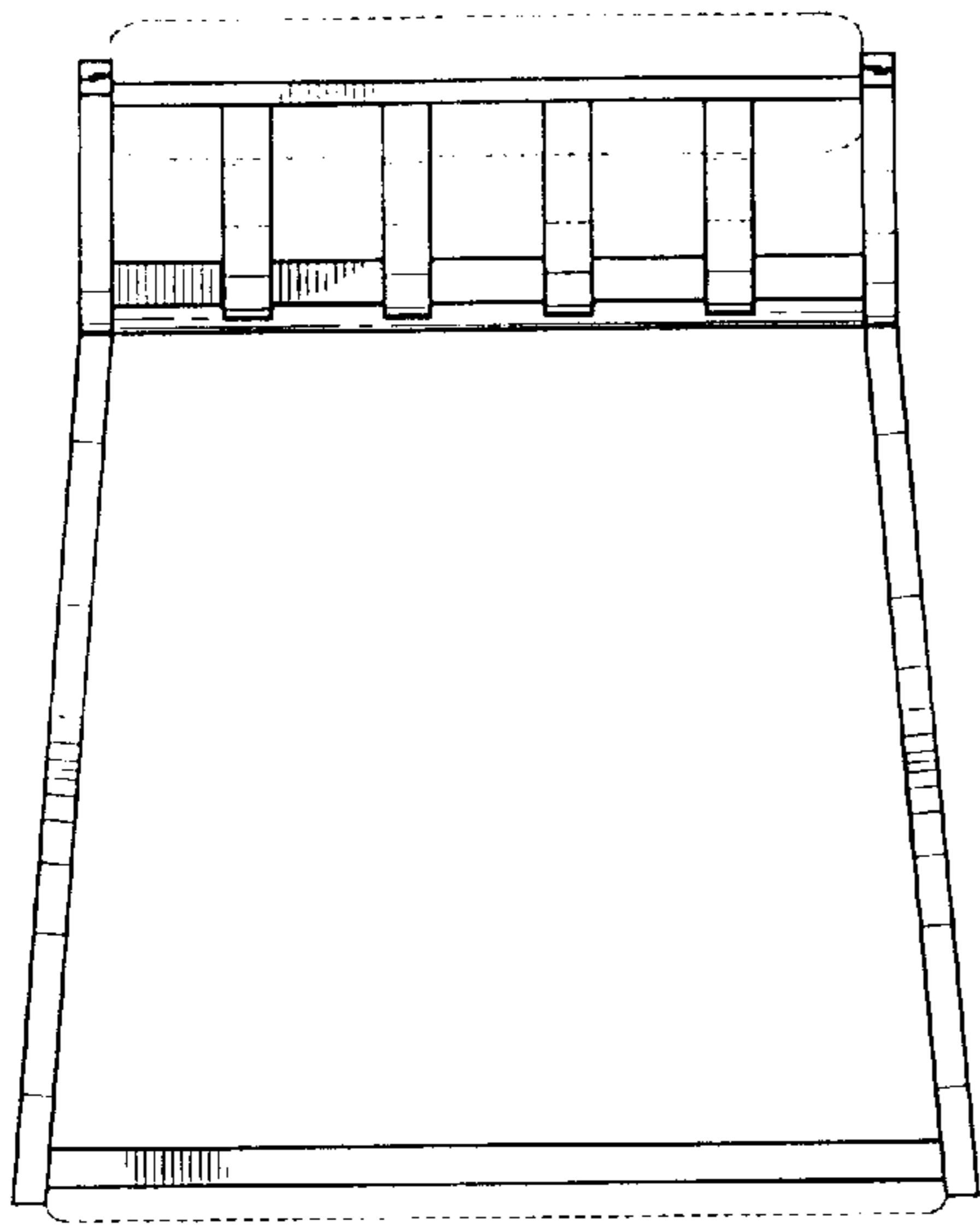


FIG. 4

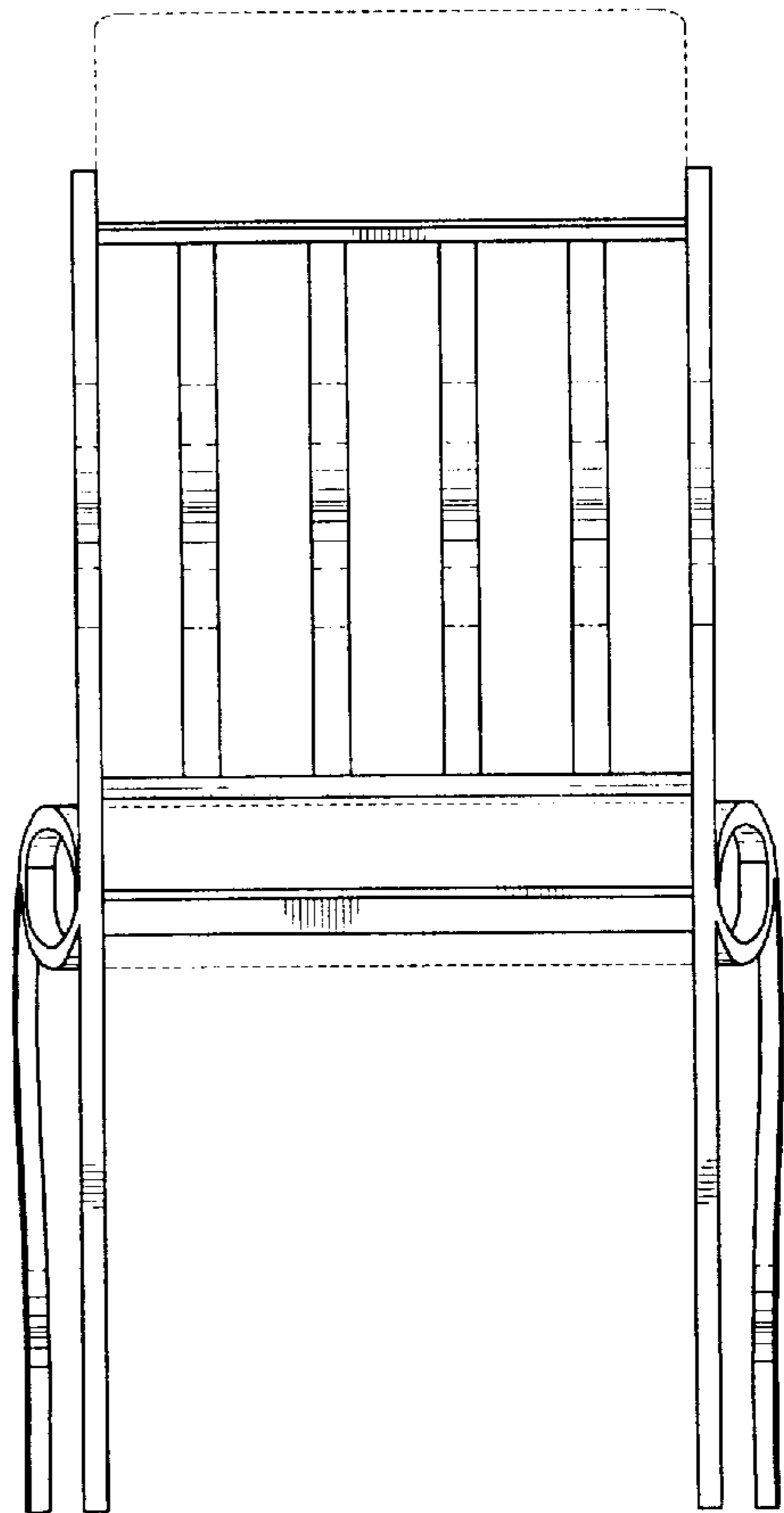


FIG. 5

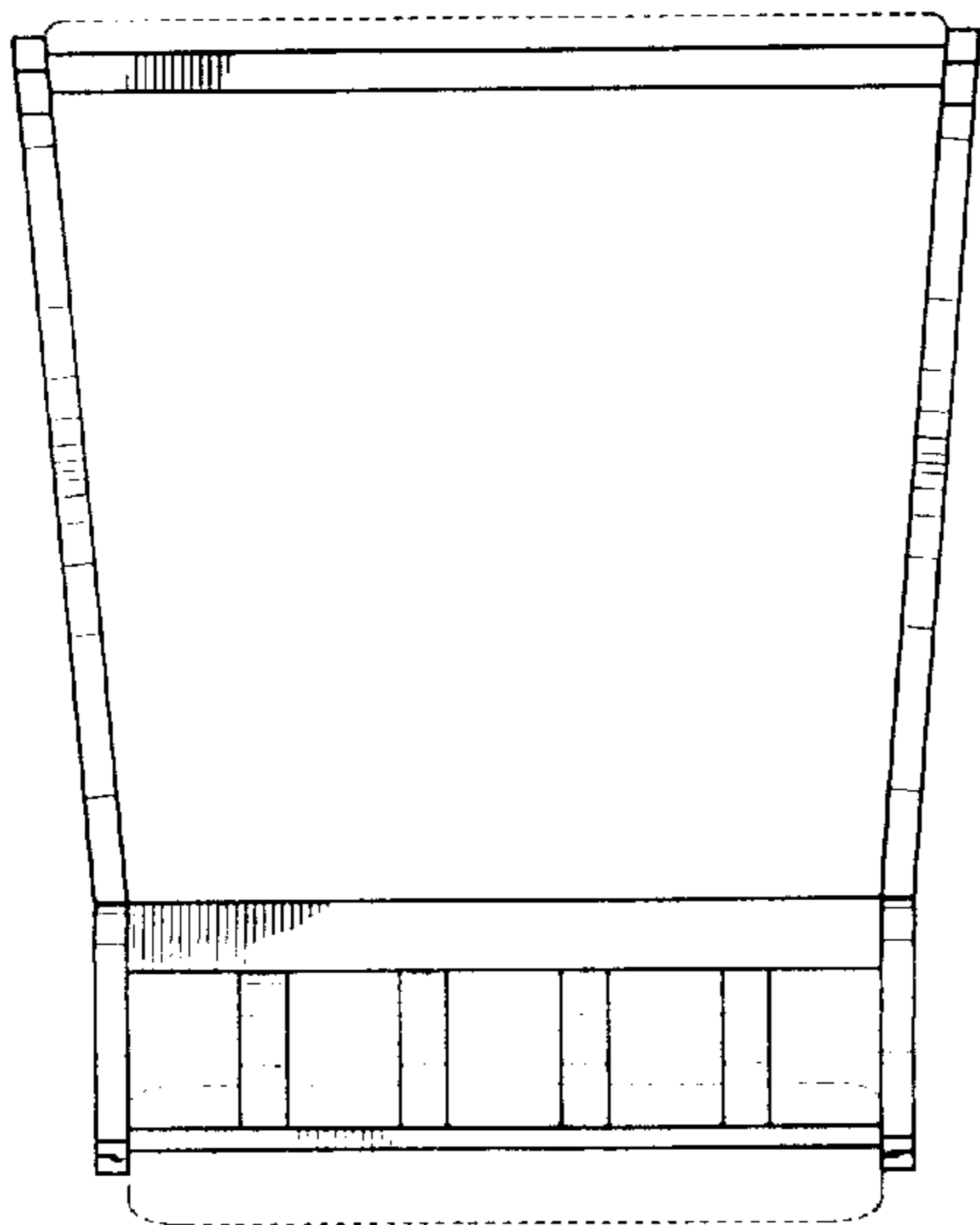


FIG. 6