



US00D433569S

United States Patent [19] Anderson

[11] **Patent Number: Des. 433,569**

[45] **Date of Patent: ** Nov. 14, 2000**

[54] **WEATHER RESISTANT COVER FOR WELDING ROD BOX**

[76] Inventor: **Hank P Anderson**, 16293 Galway Ct., San Lorenzo, Calif. 94580

[**] Term: **14 Years**

[21] Appl. No.: **29/116,077**

[22] Filed: **Dec. 23, 1999**

[51] **LOC (7) Cl. 03-99**

[52] **U.S. Cl. D3/323**

[58] **Field of Search** D3/323, 225, 226, D3/903; 190/443, 730, 721, 349, 527; 206/6.1, 823; D9/414; 220/222, 226

[56] **References Cited**

U.S. PATENT DOCUMENTS

D. 149,866	6/1948	Fry	D7/619
D. 252,446	7/1979	Traugott	D9/414
D. 255,655	7/1980	Hart	D9/414
D. 314,512	2/1991	Mazzarisi et al.	D9/414
D. 328,168	7/1992	Bartle	D9/414 X
D. 328,508	8/1992	Crutchfield	D9/414 X
D. 336,244	6/1993	Arai	D9/414 X
D. 364,910	12/1995	Shovek	D3/226 X
D. 367,361	2/1996	Kobilarcik et al.	
2,210,183	8/1940	Schweighart	D3/903 X
2,490,746	12/1949	Carpenter, Jr.	206/6.1
4,803,307	2/1989	Shotey	

5,127,534 7/1992 Fite, Jr. .
5,678,718 10/1997 Morris et al. .
5,704,480 1/1998 Scholz et al. .
5,735,418 4/1998 Erb et al. .

Primary Examiner—Louis S. Zarfes
Assistant Examiner—Robert A. Delehanty

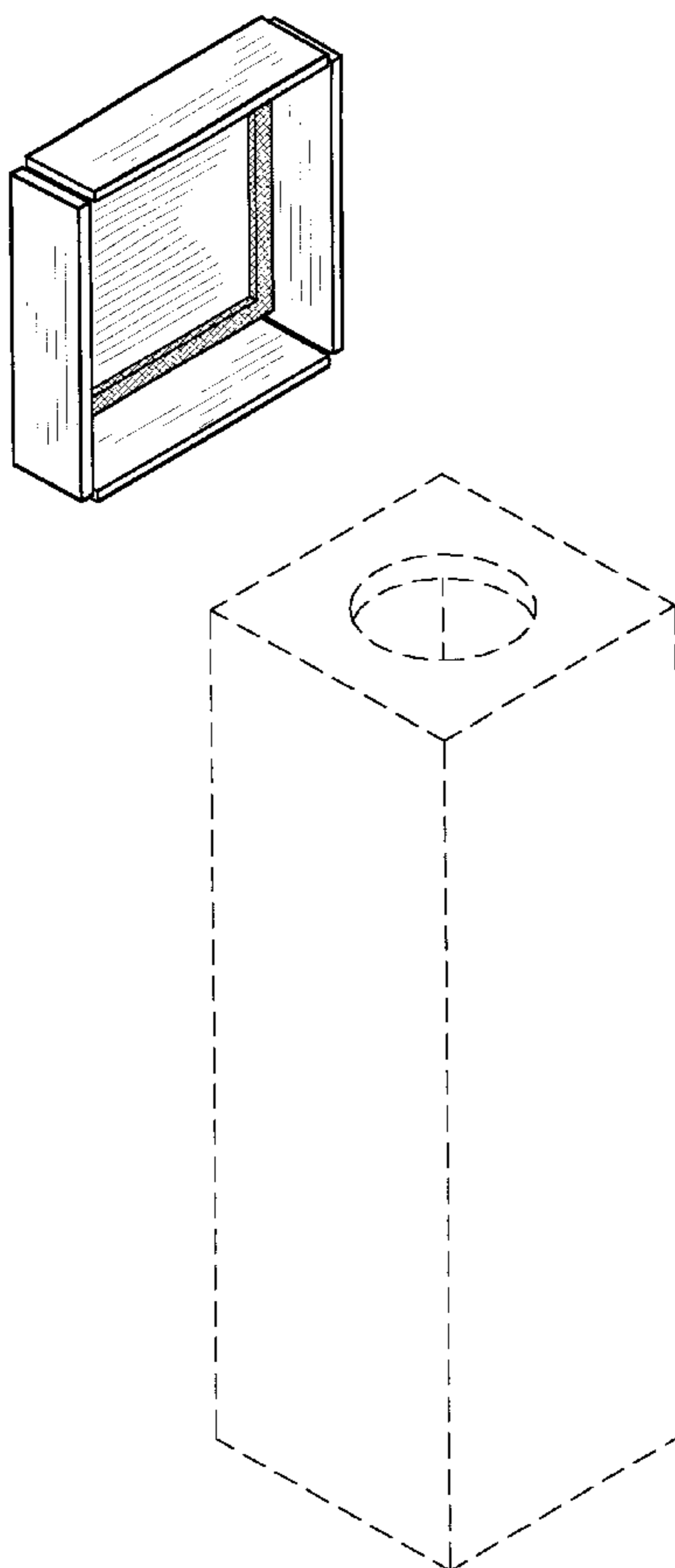
[57] **CLAIM**

The ornamental design for a weather resistant cover for welding rod box, as shown and described.

DESCRIPTION

FIG. 1 is a front elevational view of the weather resistant cover for welding rod box of the present invention, the rear view being a mirror image thereof;
FIG. 2 is a left side elevational view of the weather resistant cover for welding rod box of FIG. 1, the right view being a mirror image thereof;
FIG. 3 is a top plan view of the weather resistant cover for welding rod box of FIG. 1;
FIG. 4 is a bottom plan view of the weather resistant cover for welding rod box of FIG. 1; and,
FIG. 5 is a bottom, front, left side perspective view of the weather resistant cover for welding rod box of FIG. 1 shown on a reduced scale in position of use with a welding rod box. The broken lines showing a rod box in FIG. 5 are for illustrative purposes only and form no part of the claimed design.

1 Claim, 2 Drawing Sheets



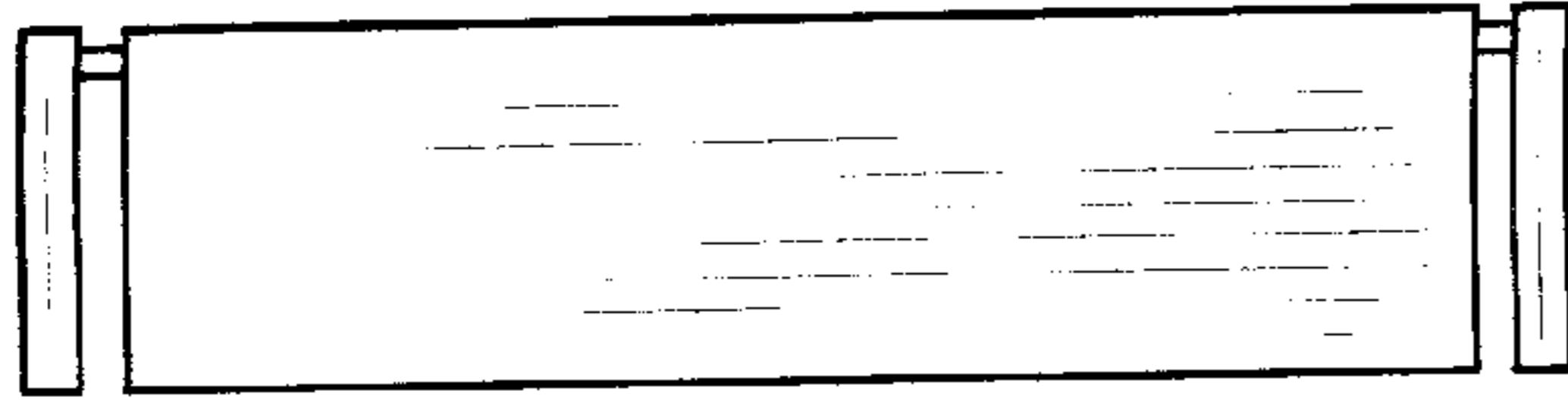


Fig. 1

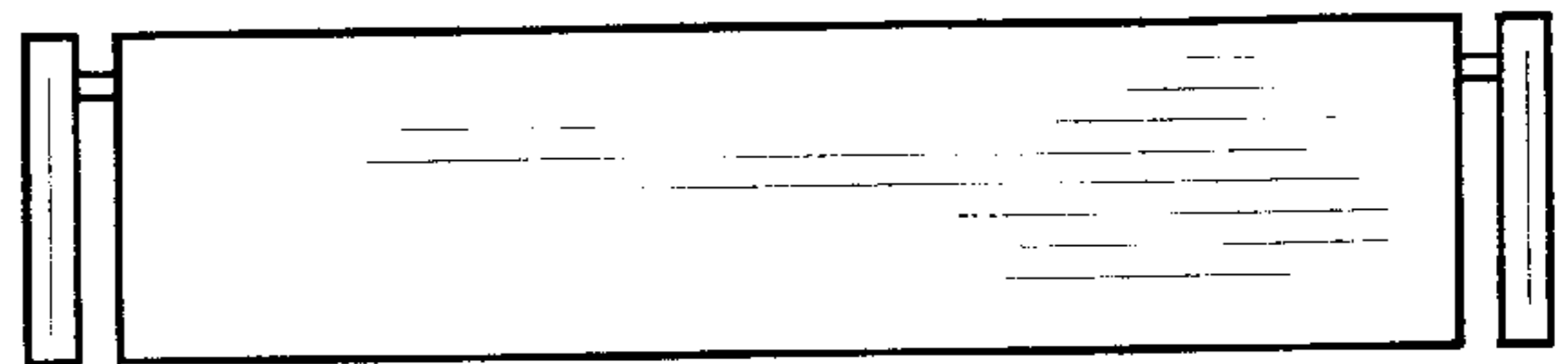


Fig. 2

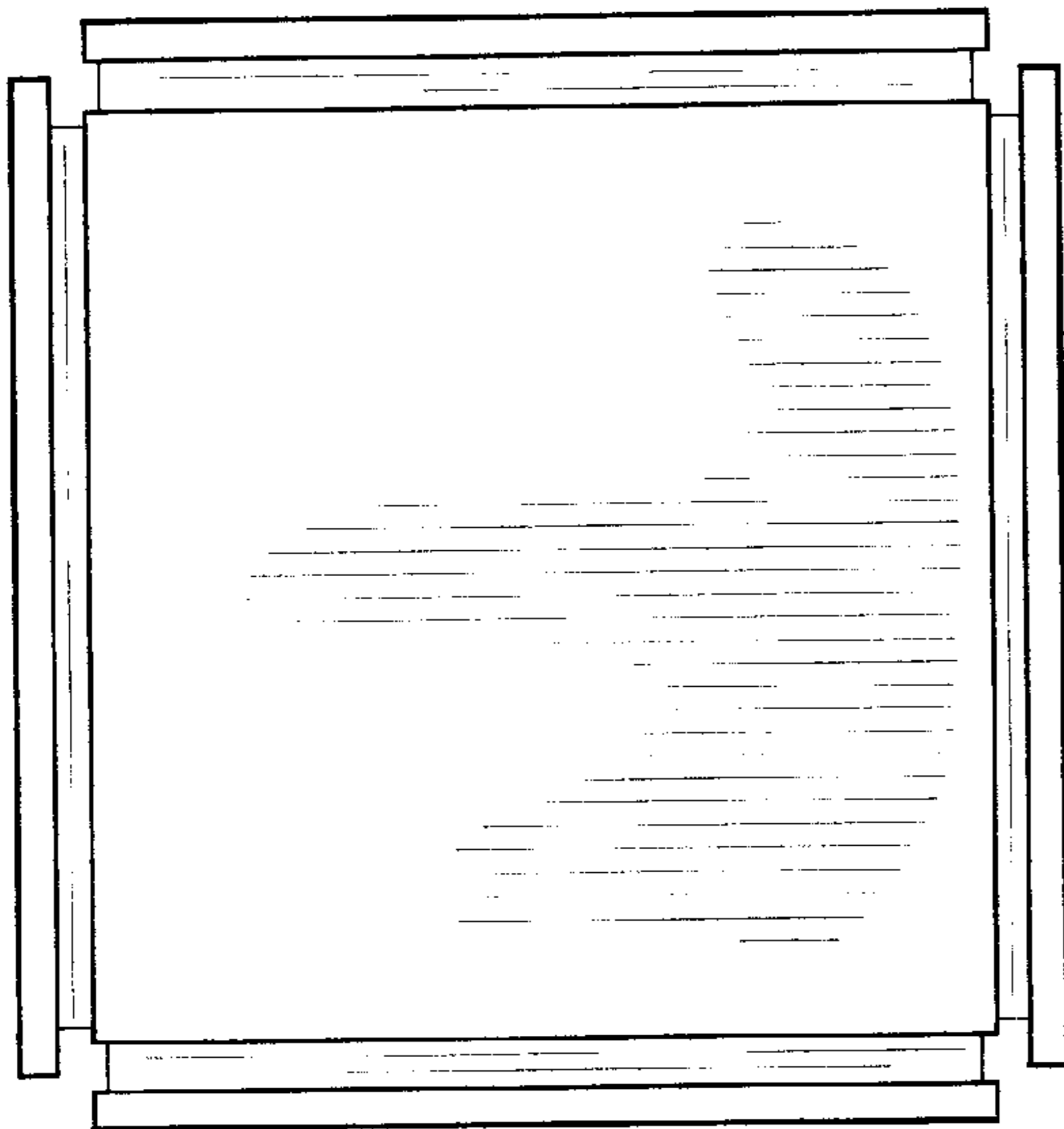


Fig. 3

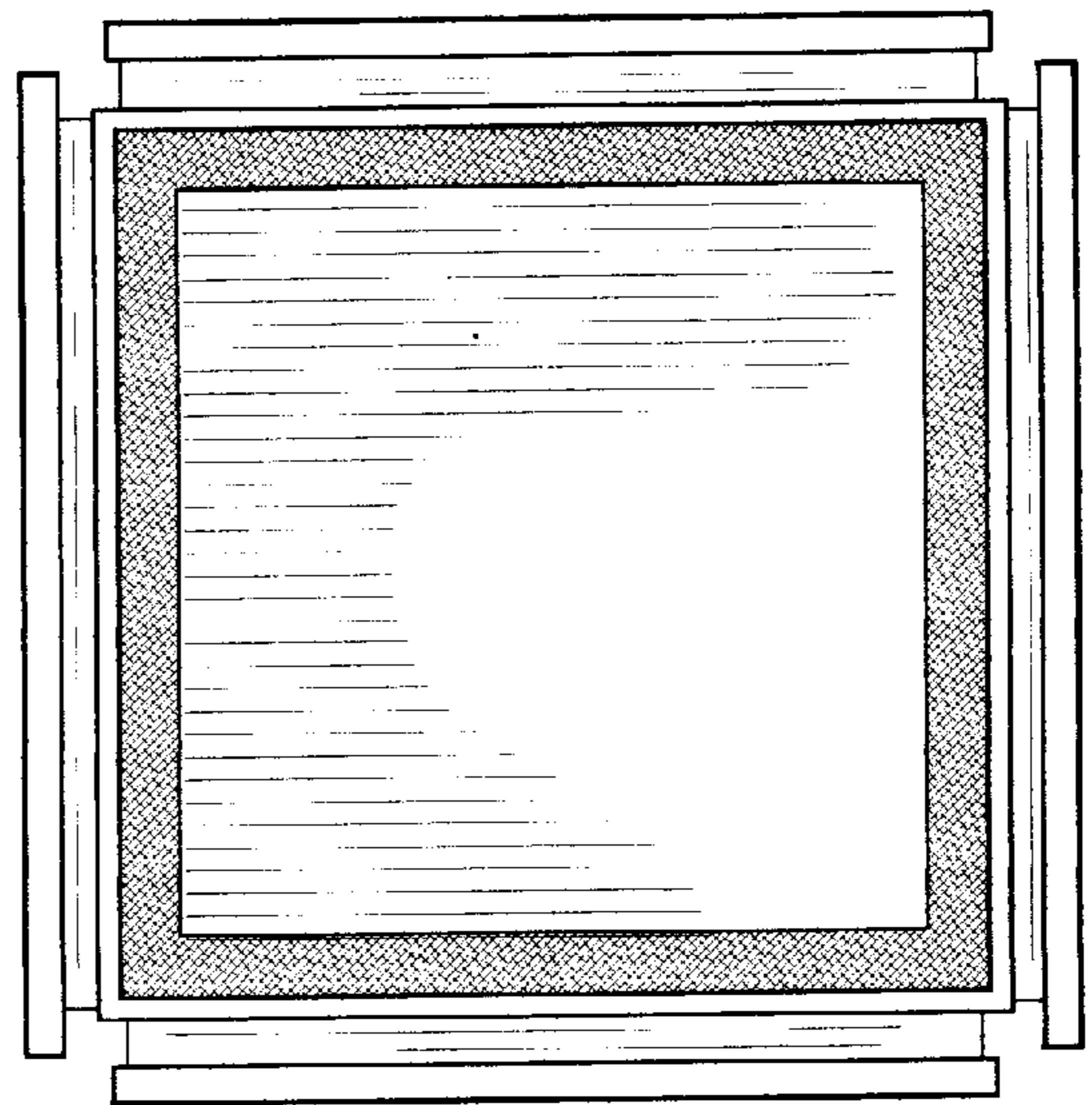


Fig. 4

Fig. 5

