



US00D433568S

United States Patent [19] Willison

[11] Patent Number: Des. 433,568

[45] Date of Patent: ** Nov. 14, 2000

[54] TOOL TRAY

[76] Inventor: **George R. Willison**, 2879 Torreya Way,
Marietta, Ga. 30067

[**] Term: **14 Years**

[21] Appl. No.: **29/103,130**

[22] Filed: **Apr. 8, 1999**

[51] LOC (7) Cl. **03-01**

[52] U.S. Cl. **D3/310**

[58] Field of Search D3/304, 307, 308,
D3/310, 313, 315, 901; D32/53.1; D7/550.1,
553, 555, 602; 206/372, 373, 557, 550,
561, 510, 574; 220/500, 553, 555, 241,
350

[56] **References Cited**

U.S. PATENT DOCUMENTS

D. 35,475	12/1901	Springer	D7/550.1
D. 176,844	2/1956	Evans	D3/315
D. 200,249	2/1965	Hancock	220/500
D. 230,086	1/1974	Meisner	D32/53.1
D. 237,020	9/1975	Valentine	D32/53.1
D. 358,710	5/1995	Meyers et al.	D3/310
D. 367,172	2/1996	Brightbill et al.	D3/310
D. 424,806	5/2000	Dixon, Sr.	D3/311
1,934,686	11/1933	Goertz et al.	.	
2,129,488	9/1938	Bomberger	.	
2,730,561	1/1956	Cuff et al.	.	
2,847,100	8/1958	Hotchner	.	
2,951,612	9/1960	Salzenbrodt	.	
3,407,757	10/1968	Warner	.	
3,490,583	1/1970	Cook	220/632
3,618,749	11/1971	Vaccaro	206/373

4,052,944	10/1977	Jennings	.	
4,691,725	9/1987	Parisi	.	
4,844,279	7/1989	Chalat	220/22
5,031,769	7/1991	Shea et al.	206/373
5,117,979	6/1992	Brightbill	206/372
5,405,004	4/1995	Vest et al.	206/350
5,699,910	12/1997	Kubat	206/373
5,738,216	4/1998	Warner	206/523
5,803,586	9/1998	Velez et al.	362/154
6,070,717	6/2000	Philipson et al.	206/574

Primary Examiner—Louis S. Zarfaz
Assistant Examiner—Catherine R. Oliver

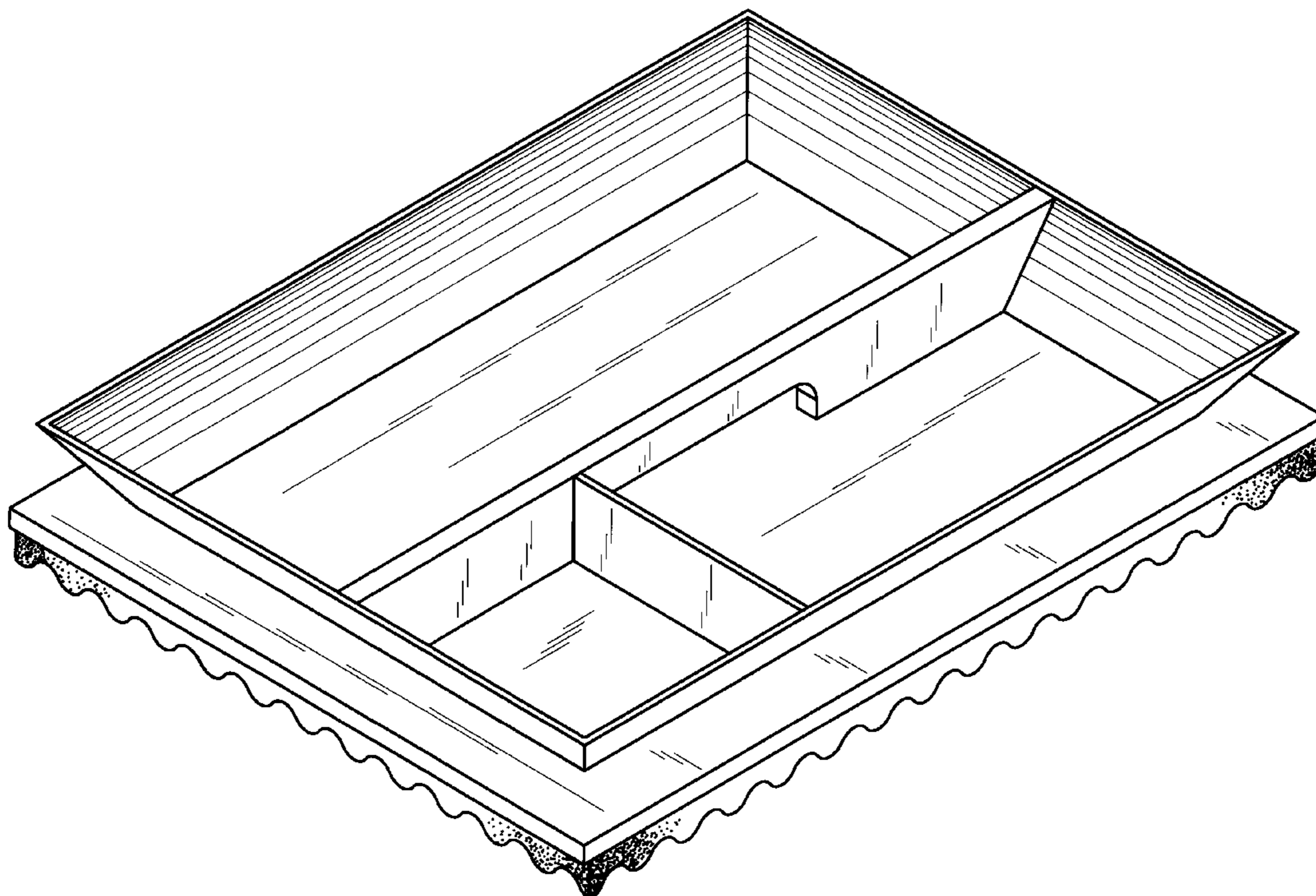
[57] **CLAIM**

The ornamental design for a tool tray, as shown and described.

DESCRIPTION

FIG. 1 is a top front perspective view of the first embodiment of my design;
 FIG. 2 is a top plan view of the tray of FIG. 1;
 FIG. 3 is a bottom plan view of the tray of FIG. 1;
 FIG. 4 is a front side elevational view of the tray of FIG. 1, the back side being identical;
 FIG. 5 is a left side elevational view of the tray of FIG. 1, the right side being identical;
 FIG. 6 is a top front perspective view of the second embodiment of my design;
 FIG. 7 is a top plan view of the tray of FIG. 6;
 FIG. 8 is a bottom plan view of the tray of FIG. 6;
 FIG. 9 is a front side elevational view of the tray of FIG. 6, the back side being identical; and,
 FIG. 10 is a left side elevational view of the tray of FIG. 6, the right side being identical.

1 Claim, 8 Drawing Sheets



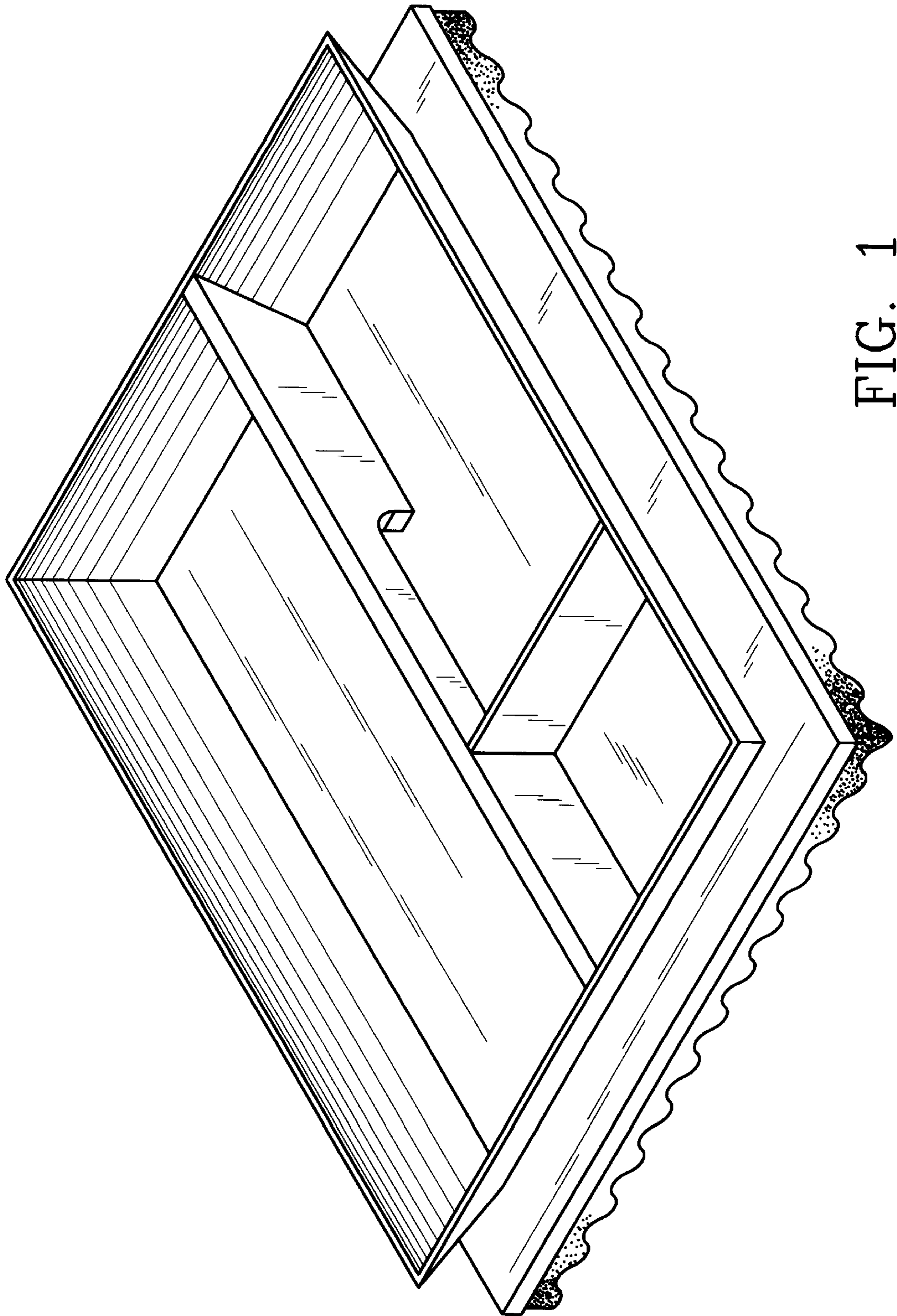


FIG. 1

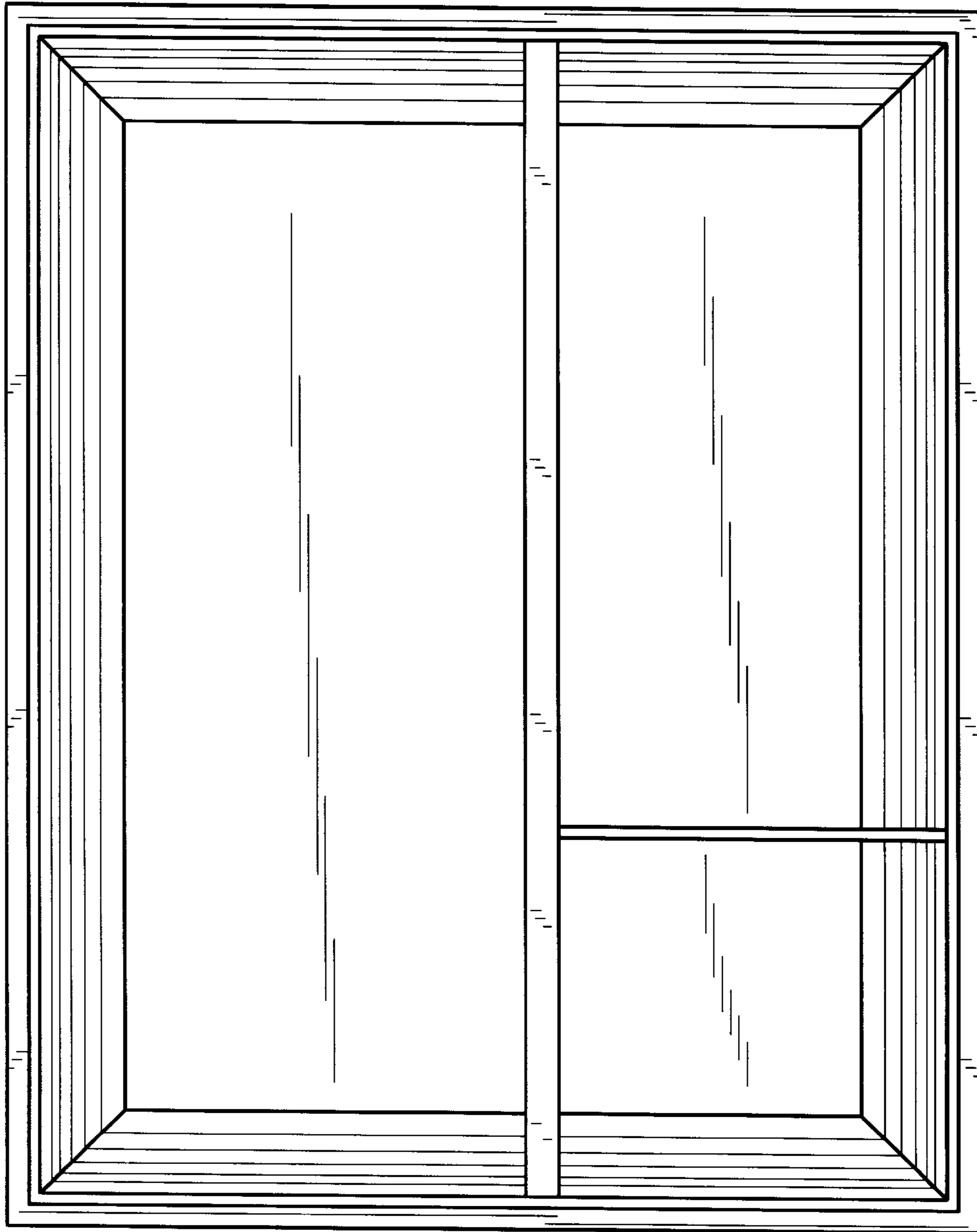


FIG. 2

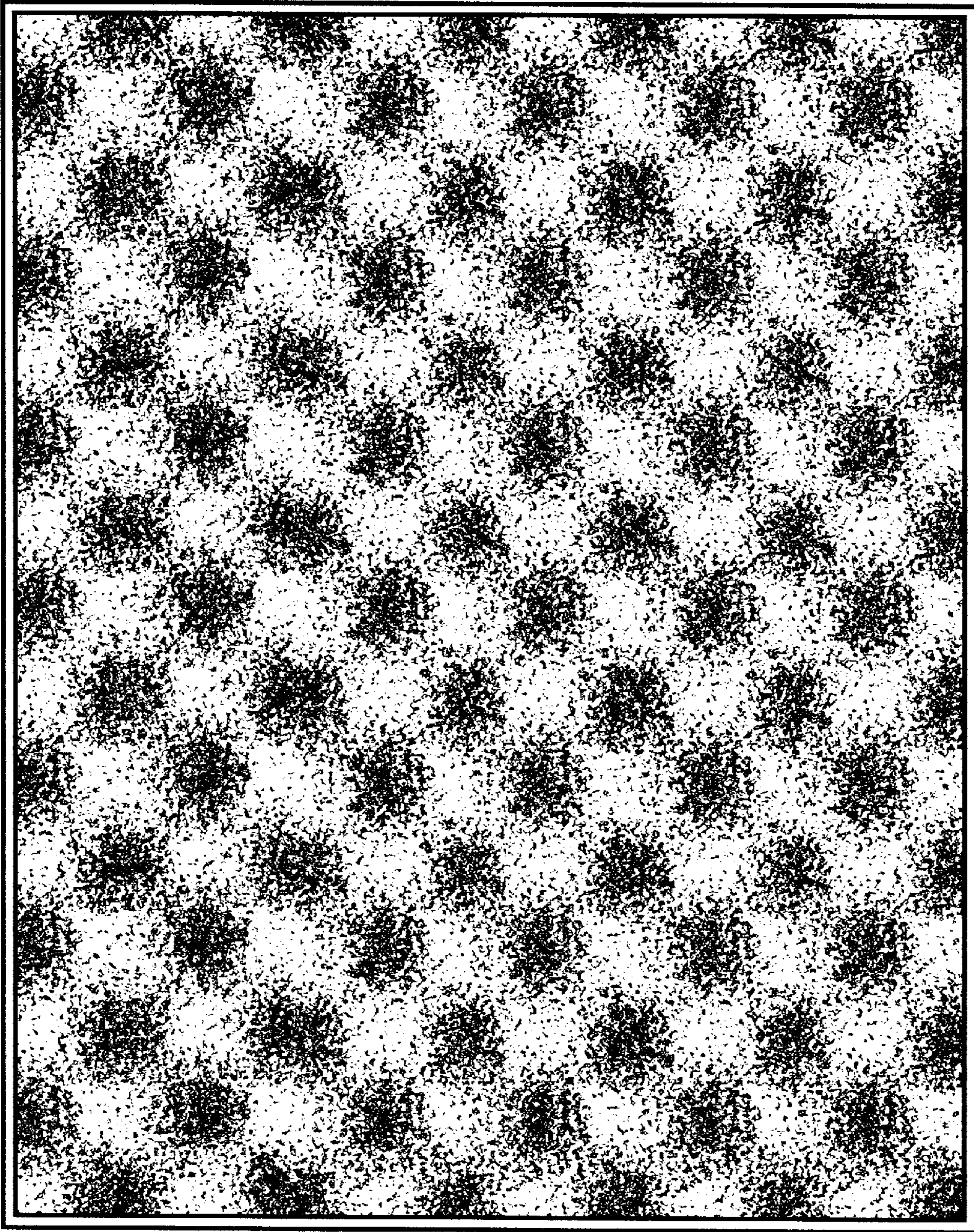


FIG. 3

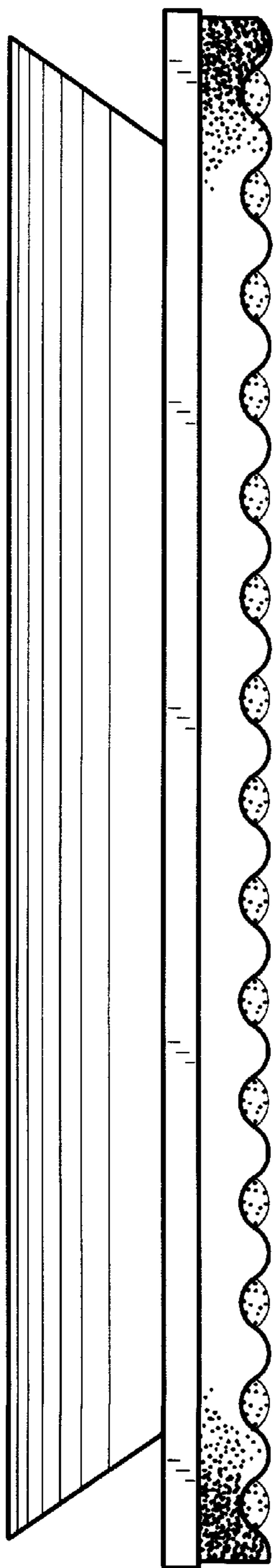


FIG. 4

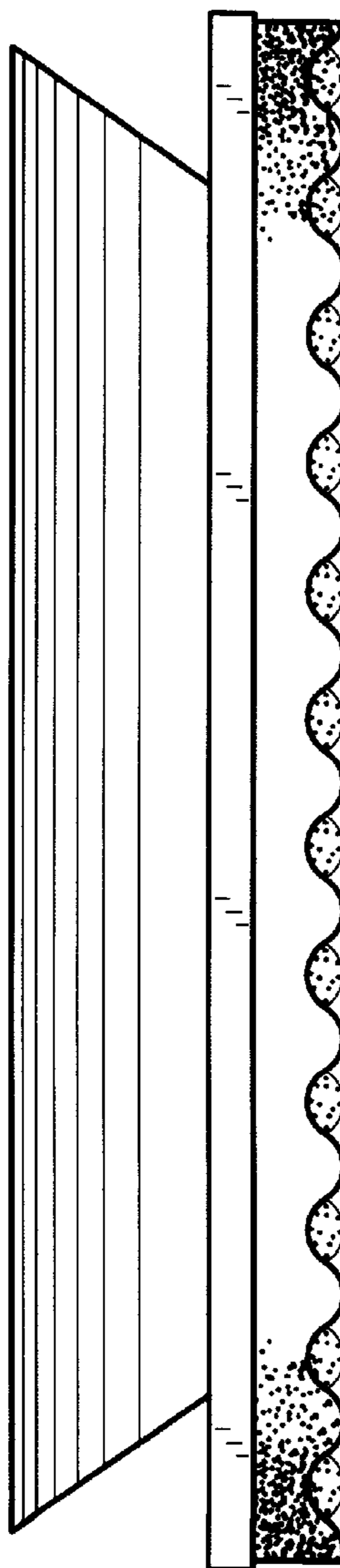


FIG. 5

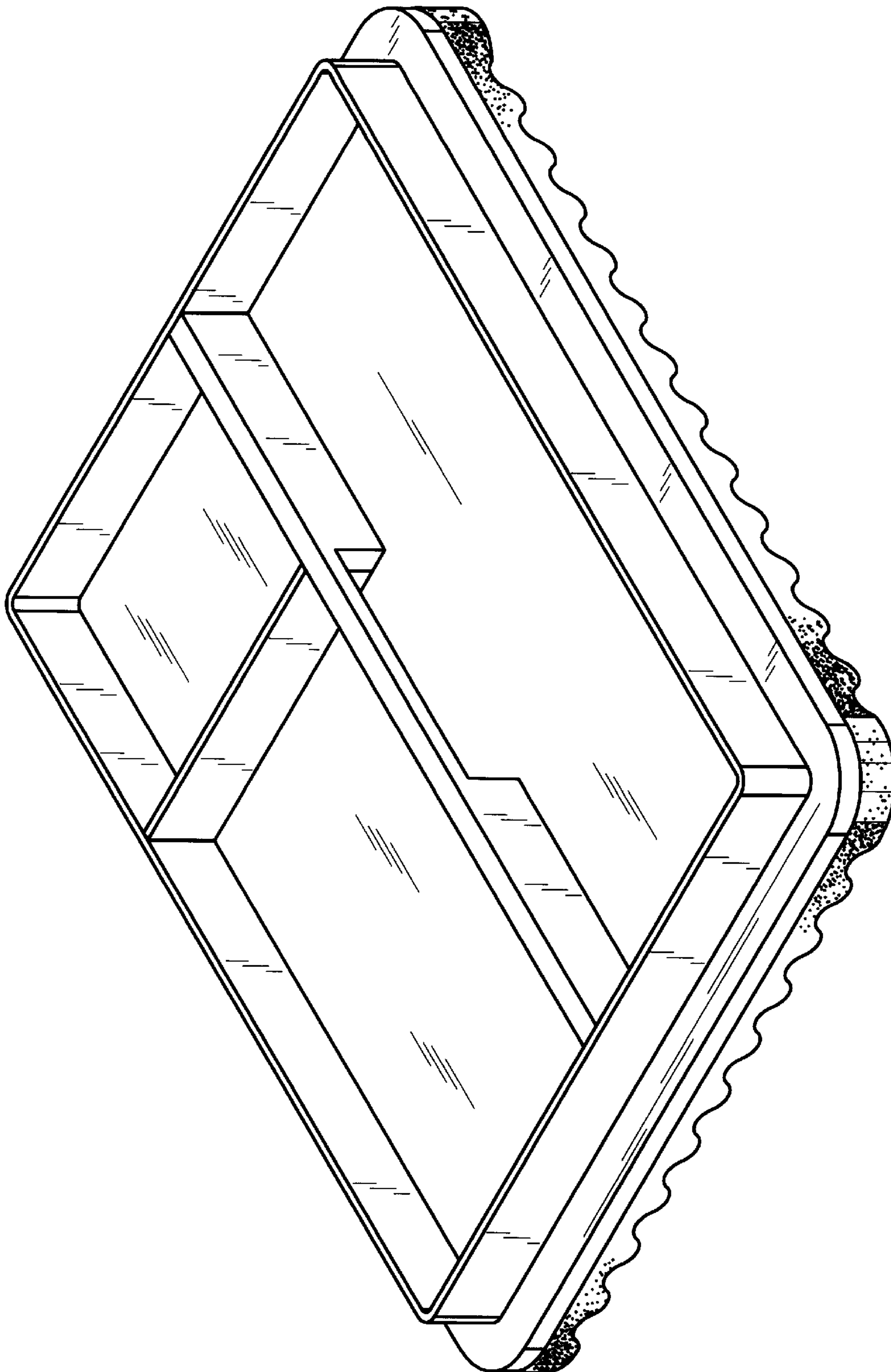


FIG. 6

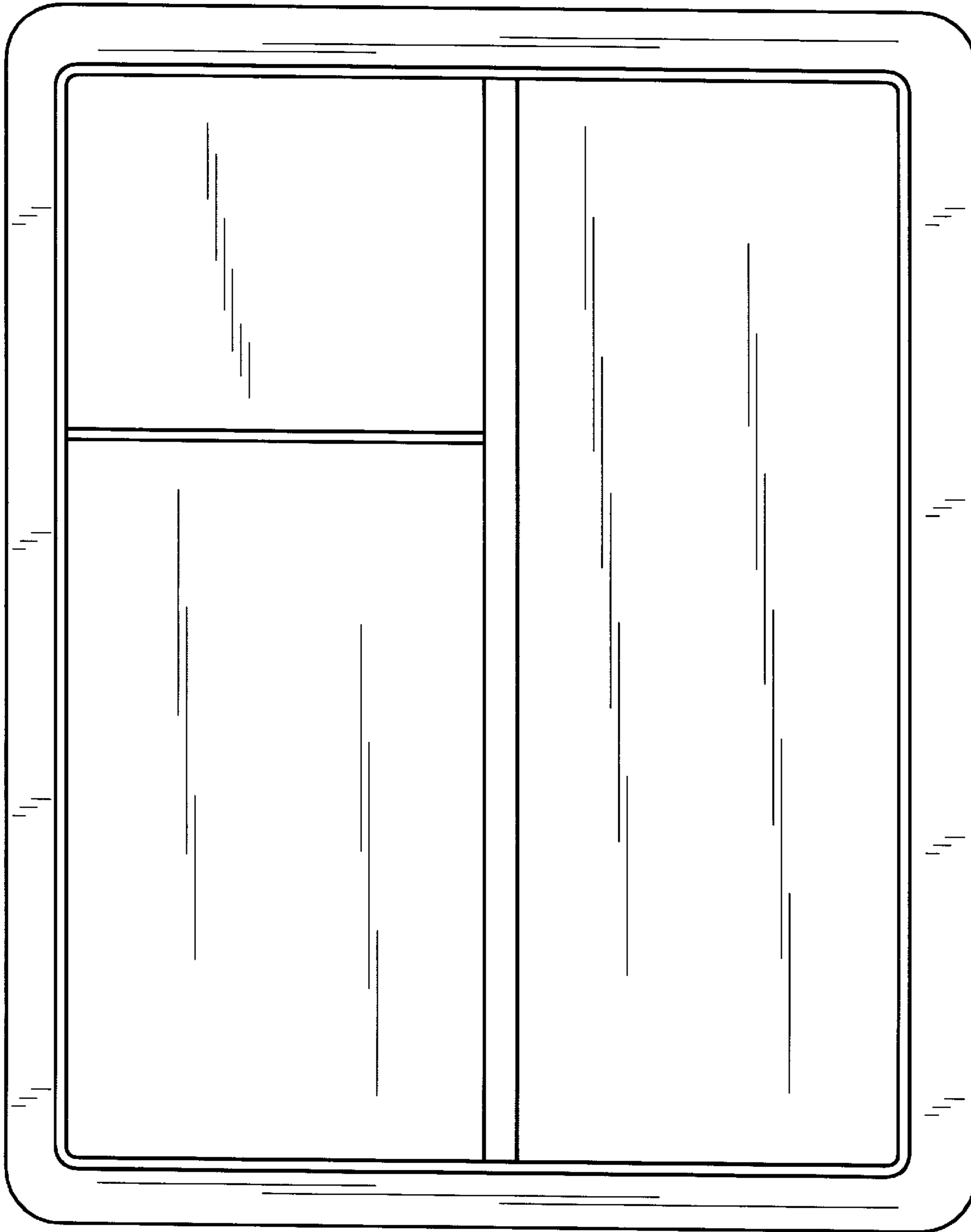


FIG. 7

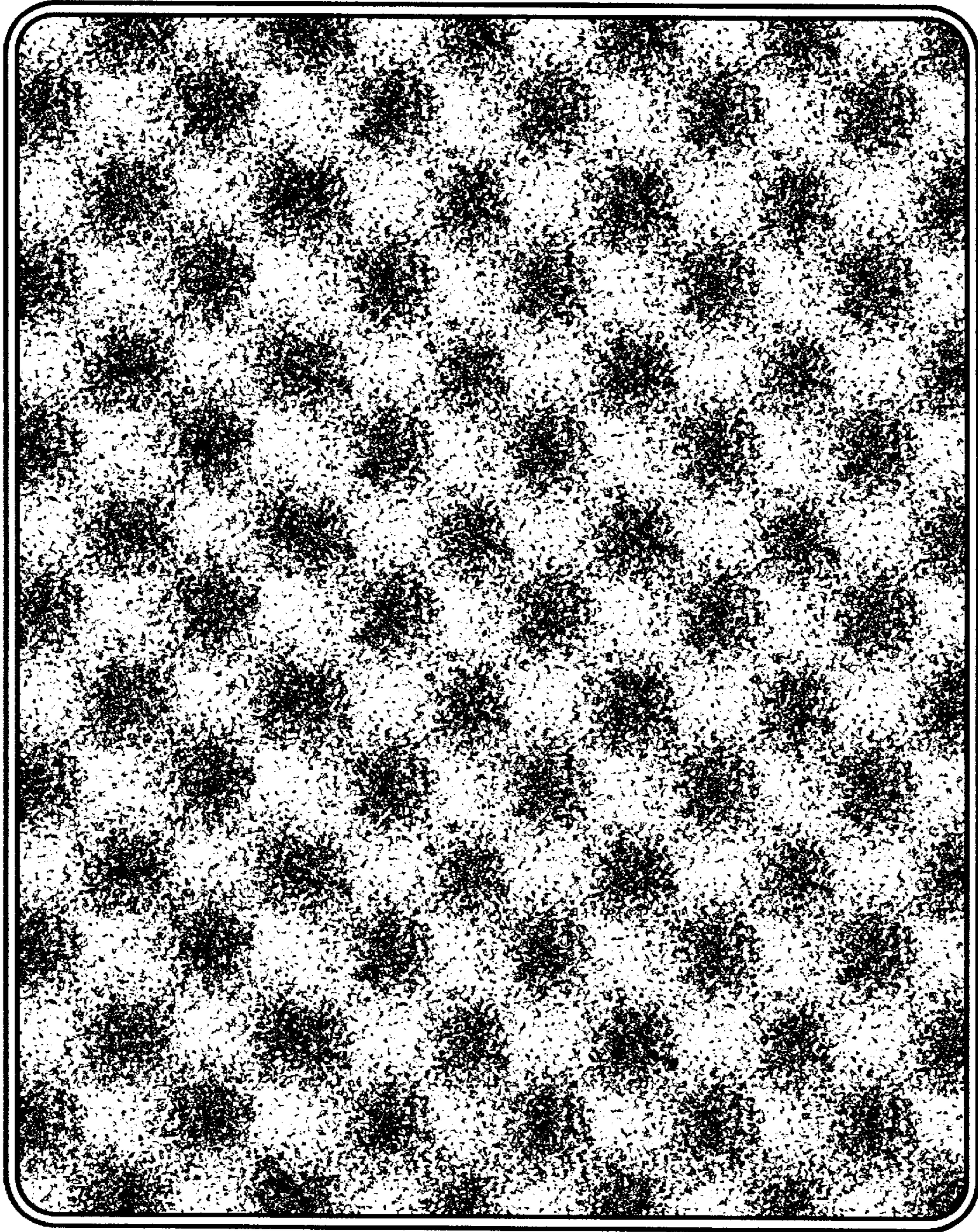


FIG. 8

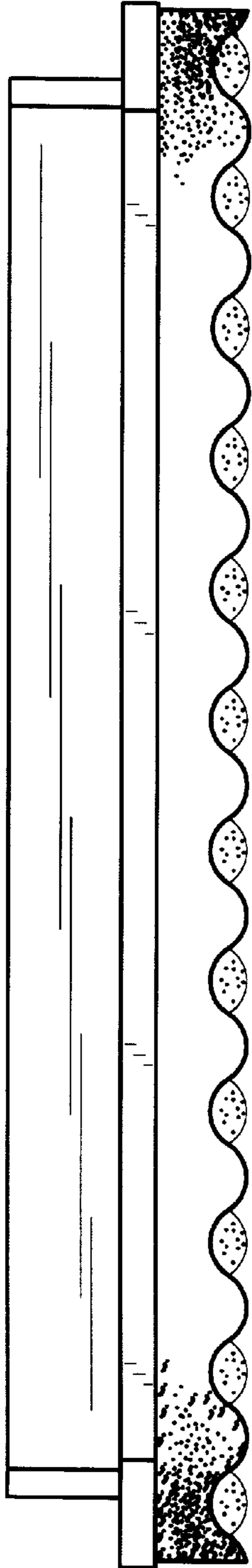


FIG. 9

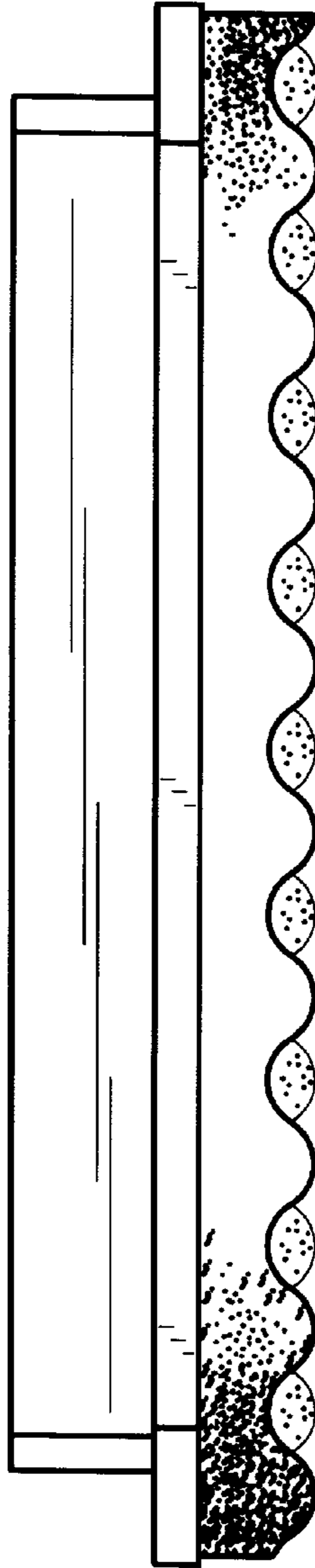


FIG. 10