



US00D433564S

United States Patent [19]

Bäckman et al.

[11] Patent Number: **Des. 433,564**

[45] Date of Patent: **** Nov. 14, 2000**

[54] SHEATH FOR A PAINT SCRAPER

[75] Inventors: **Sture Bäckman; Andreas Eriksson,**
both of Bollnäs; **Håkan Bergkvist,**
Bromma, all of Sweden

[73] Assignee: **Kapman AB,** Sandviken, Sweden

[**] Term: **14 Years**

[21] Appl. No.: **29/116,229**

[22] Filed: **Dec. 30, 1999**

[30] **Foreign Application Priority Data**

Jul. 1, 1999 [SE] Sweden 99-1219

[51] LOC (7) Cl. **03-01**

[52] U.S. Cl. **D3/228**

[58] Field of Search D3/228, 220, 221,
D3/215; 224/901, 904, 673, 240, 245, 232;
30/151

[56] **References Cited**

U.S. PATENT DOCUMENTS

D. 188,382 7/1960 Stella D3/228 X

D. 388,955 1/1998 Markiewicz D3/228
D. 409,831 5/1999 Lyles et al. D3/228
D. 417,073 11/1999 Diener et al. D3/228
4,942,663 7/1990 Ray, Sr. 30/151
5,076,478 12/1991 Unger 224/904

Primary Examiner—Louis S. Zarfaz
Assistant Examiner—Catherine R. Oliver
Attorney, Agent, or Firm—Burns, Doane, Swecker &
Mathis, L.L.P.

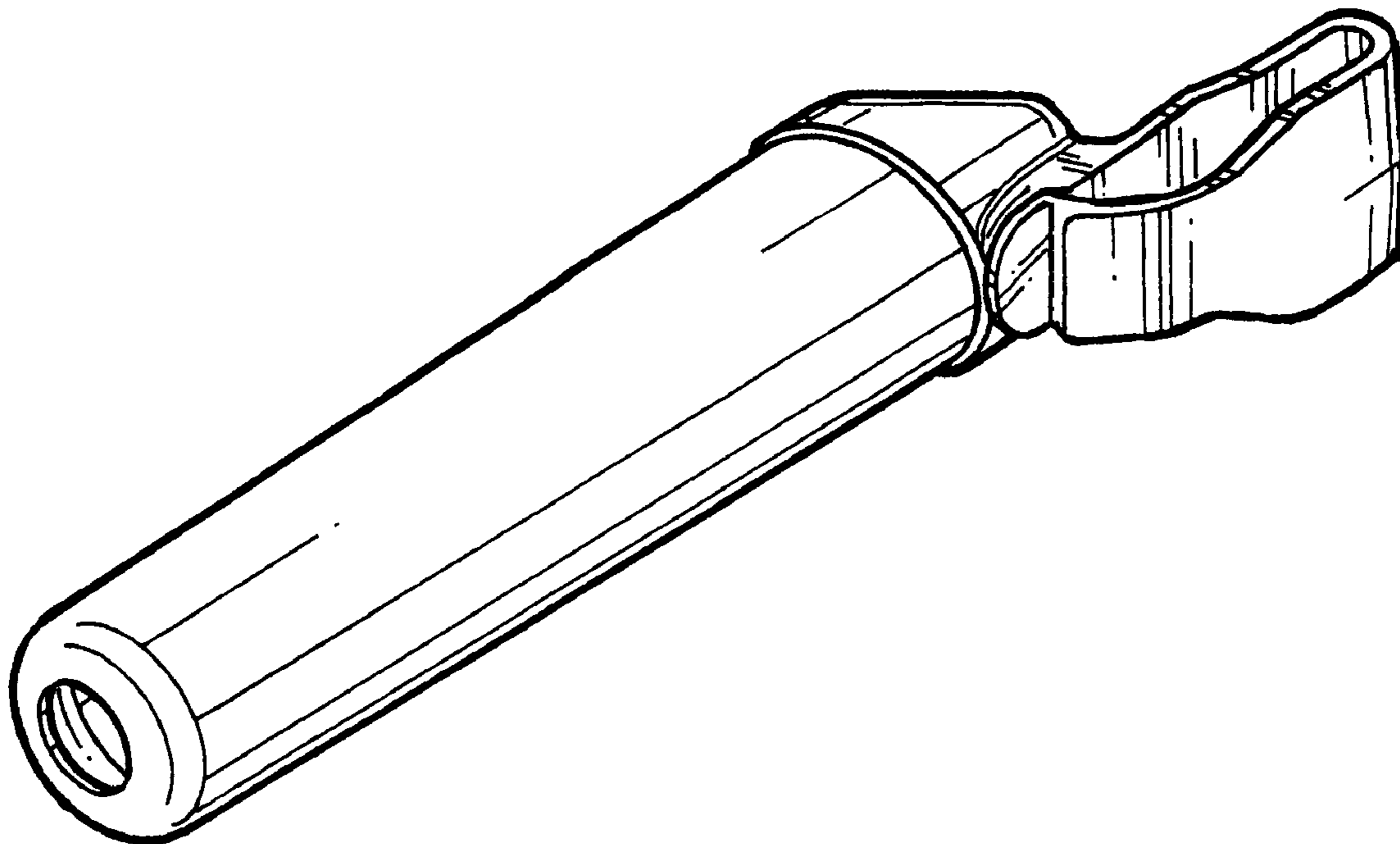
[57] **CLAIM**

The ornamental design for a sheath for a paint scraper, as shown and described.

DESCRIPTION

FIG. 1 is a bottom, rear perspective view of a sheath for a paint scraper showing our new design; FIG. 2 is a front elevational view thereof; FIG. 3 is a left side elevational view thereof; FIG. 4 is a right side elevational view thereof; FIG. 5 is a rear elevational view thereof; FIG. 6 is a top plan view thereof; and, FIG. 7 is a bottom plan view thereof.

1 Claim, 2 Drawing Sheets



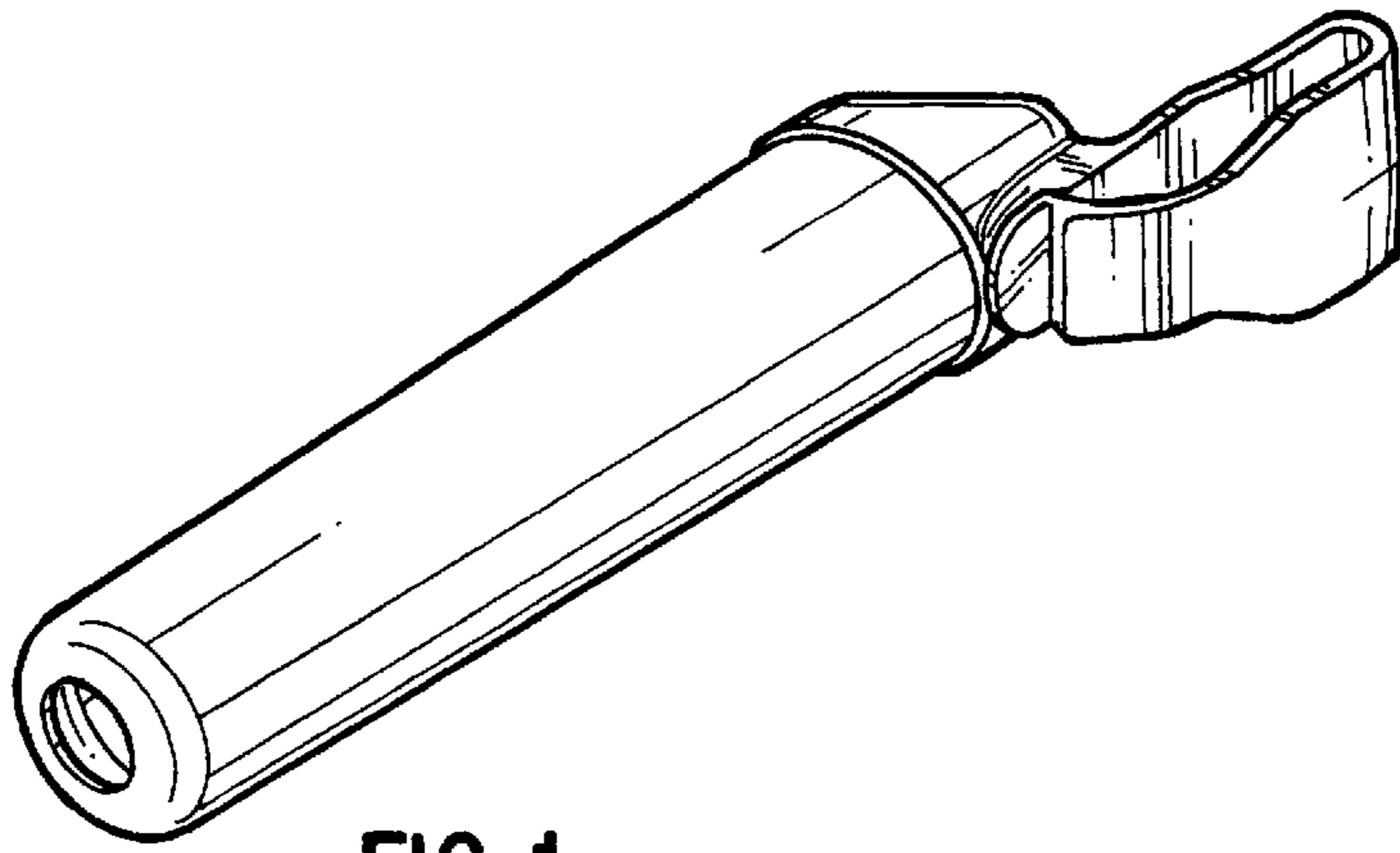


FIG. 1

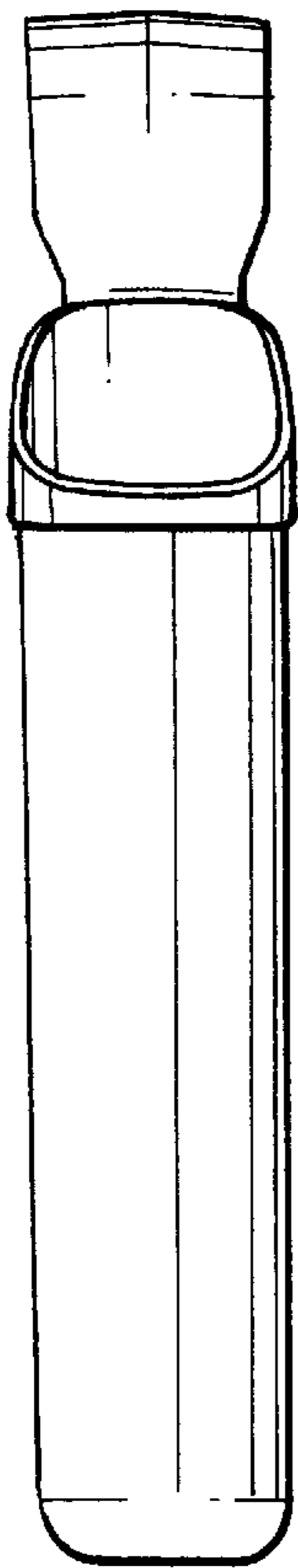


FIG. 2

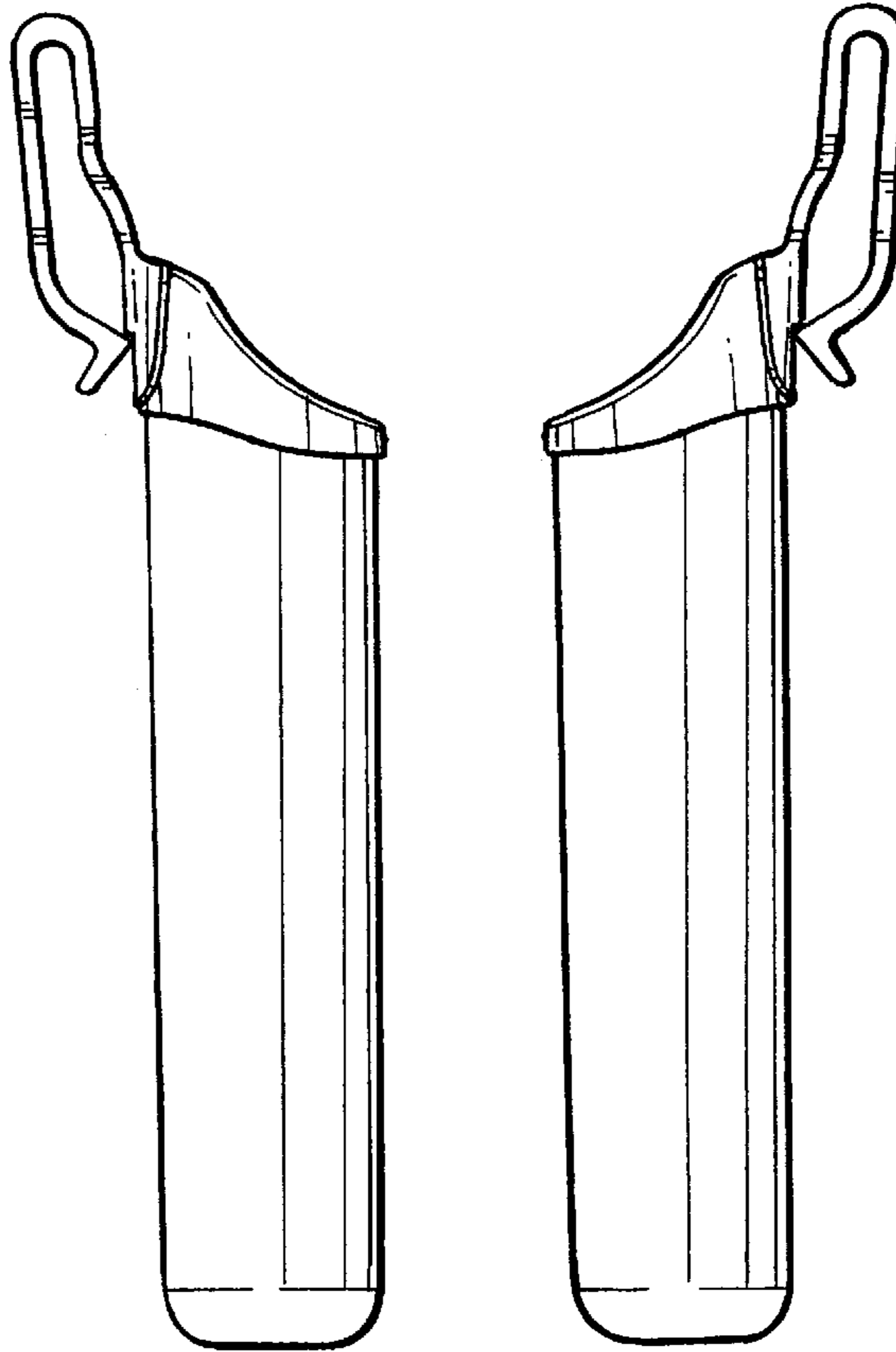


FIG. 3

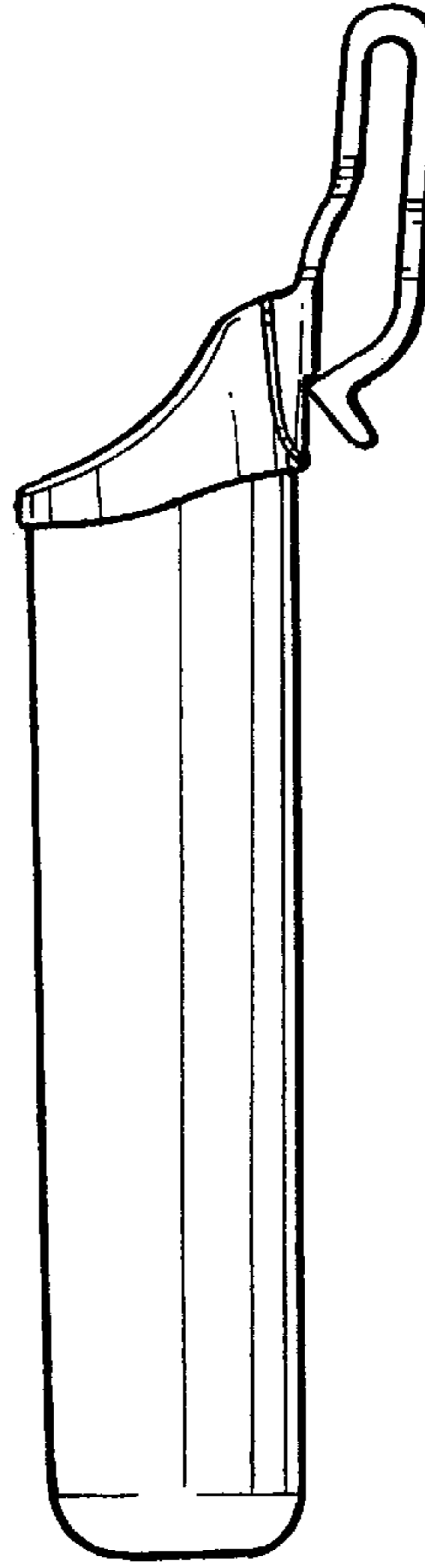


FIG. 4

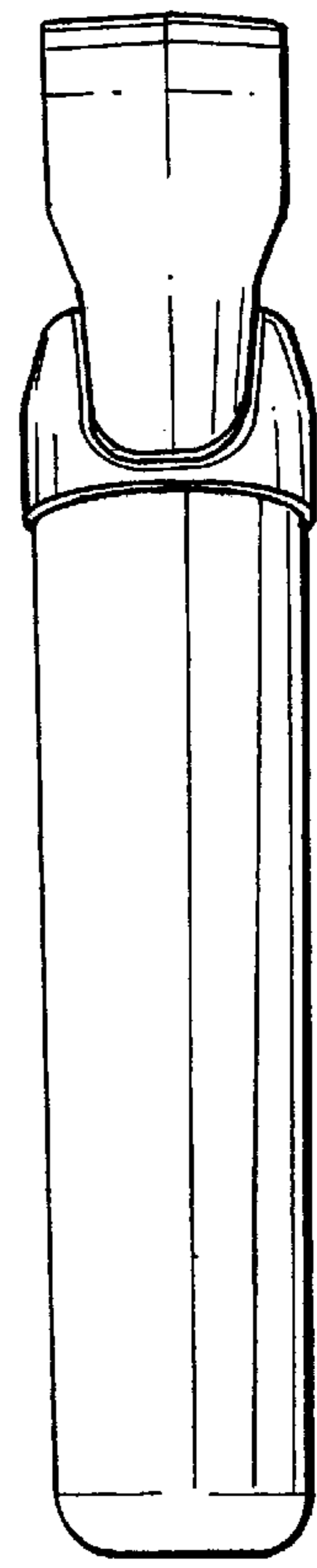


FIG. 5

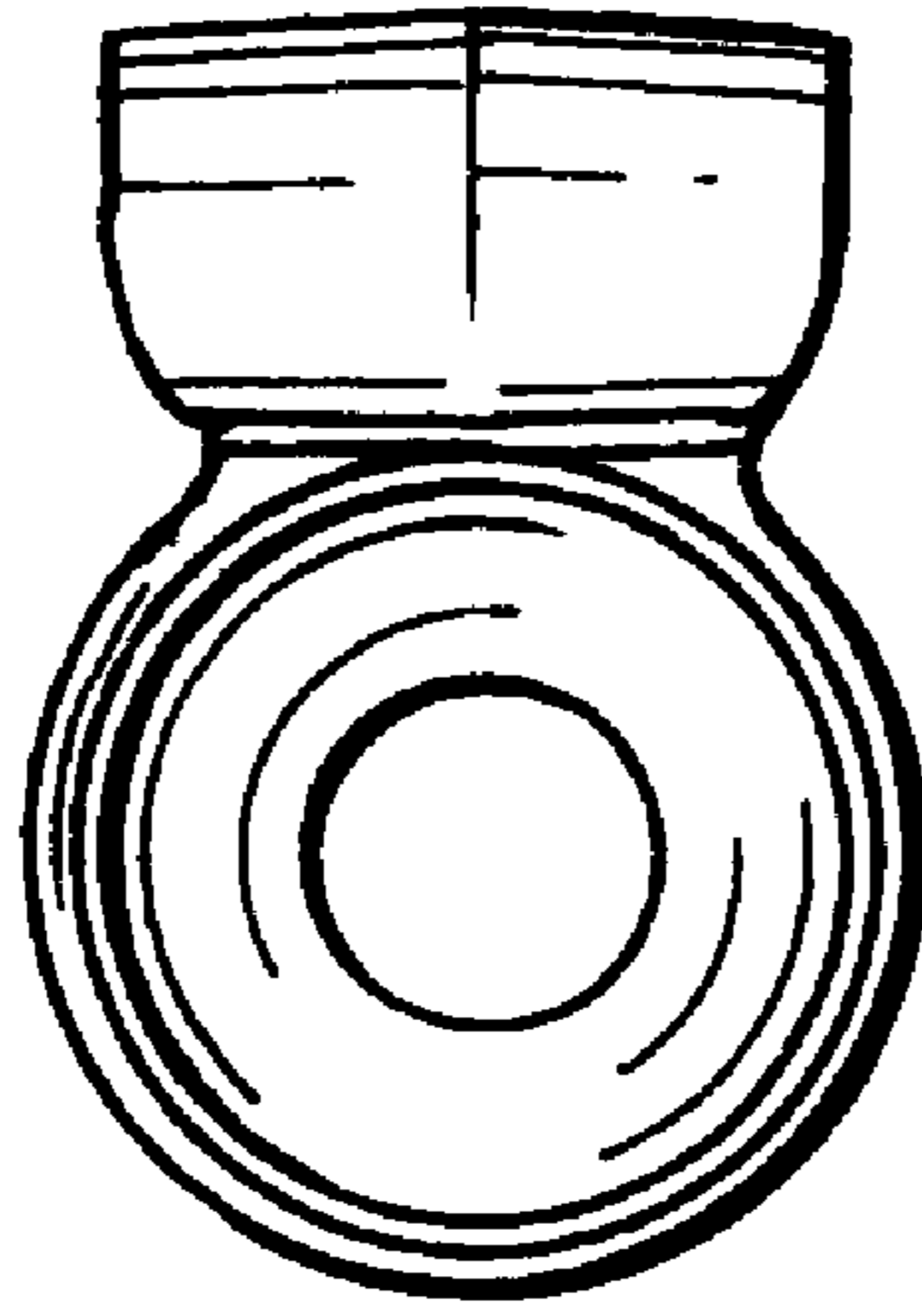


FIG. 6

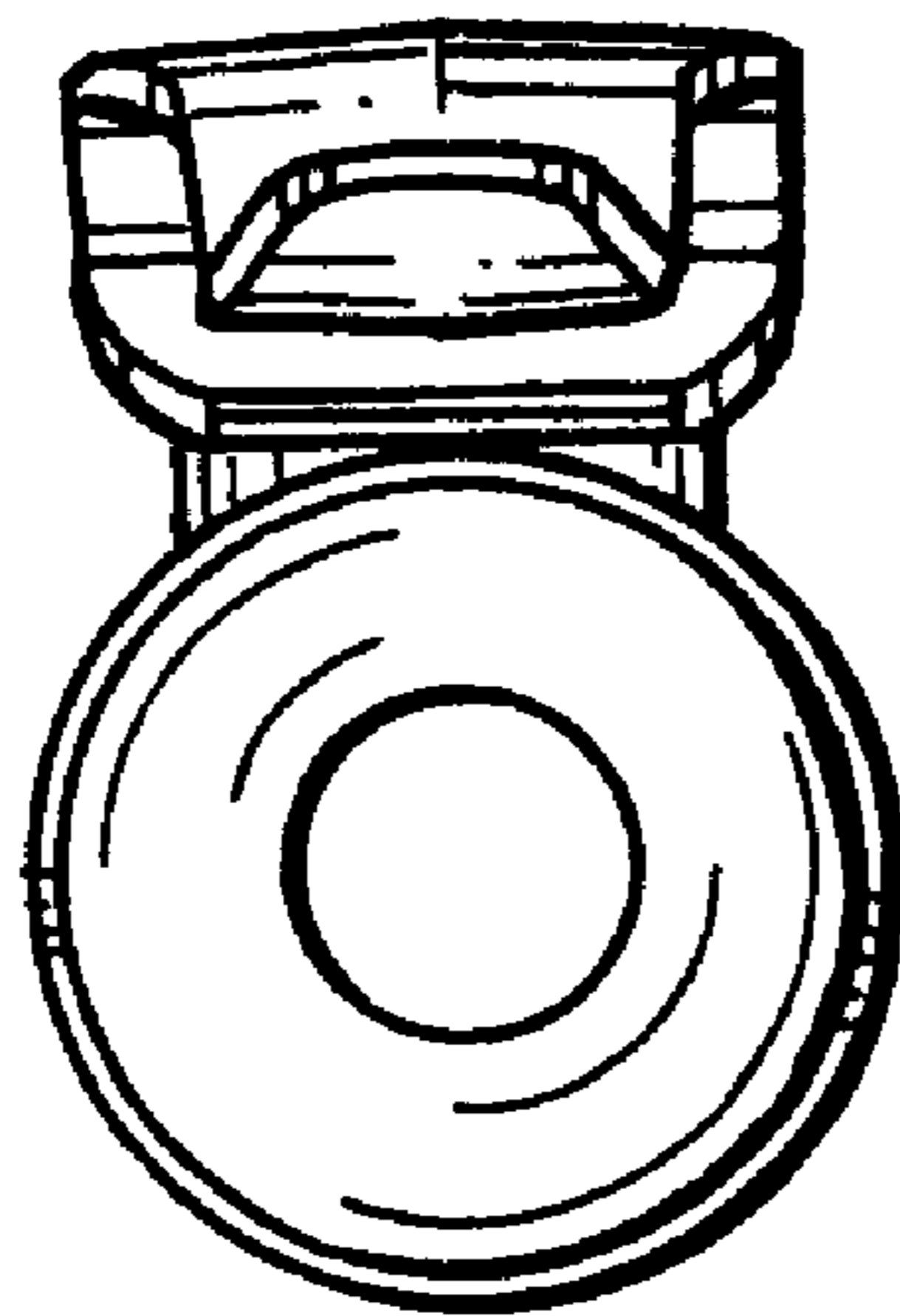


FIG. 7