



US00D433563S

United States Patent [19]
Capanna et al.

[11] **Patent Number: Des. 433,563**

[45] **Date of Patent: ** Nov. 14, 2000**

[54] **BELT CLIP**

D. 382,105 8/1997 Bonaldi D3/215
845,743 3/1907 Bindner 24/3.1
3,279,009 10/1966 Deane 24/3.1

[75] Inventors: **Michael Capanna**, Nipomo, Calif.;
Roger W. Schaefer, Post Falls, Id.

[73] Assignee: **Centurion Safety Products, Inc.**, Post Falls, Id.

Primary Examiner—Louis S. Zarfes
Assistant Examiner—Catherine R. Oliver
Attorney, Agent, or Firm—Daniel C. McKown

[**] Term: **14 Years**

[57] **CLAIM**

[21] Appl. No.: **29/109,651**

The ornamental design for a belt clip, as shown and described.

[22] Filed: **Aug. 20, 1999**

DESCRIPTION

[51] **LOC (7) Cl.** **03-01**

[52] **U.S. Cl.** **D3/215**

[58] **Field of Search** D3/215, 207–212,
D3/327; 24/3.1, 3.11, 3.3, 3.5, 3.6, 3.12;
D2/639; 224/901, 904, 240, 241, 245; D11/215,
78.1

FIG. 1 is a front right bottom perspective view of a belt clip showing our new design;
FIG. 2 is a rear right bottom perspective view thereof;
FIG. 3 is a front elevational view thereof;
FIG. 4 is a rear elevational view thereof;
FIG. 5 is a left side elevational view thereof;
FIG. 6 is a right side elevational view thereof;
FIG. 7 is a top plan view thereof;
FIG. 8 is a bottom plan view thereof; and,
FIG. 9 is a left side elevational view showing the configuration of our new design at one stage in its cycle of use.

[56] **References Cited**

U.S. PATENT DOCUMENTS

D. 239,147 3/1976 Karlsen D3/215
D. 273,821 5/1984 Bianchi D3/215
D. 339,909 10/1993 Burton D2/639
D. 355,768 2/1995 Cook D3/327

1 Claim, 2 Drawing Sheets

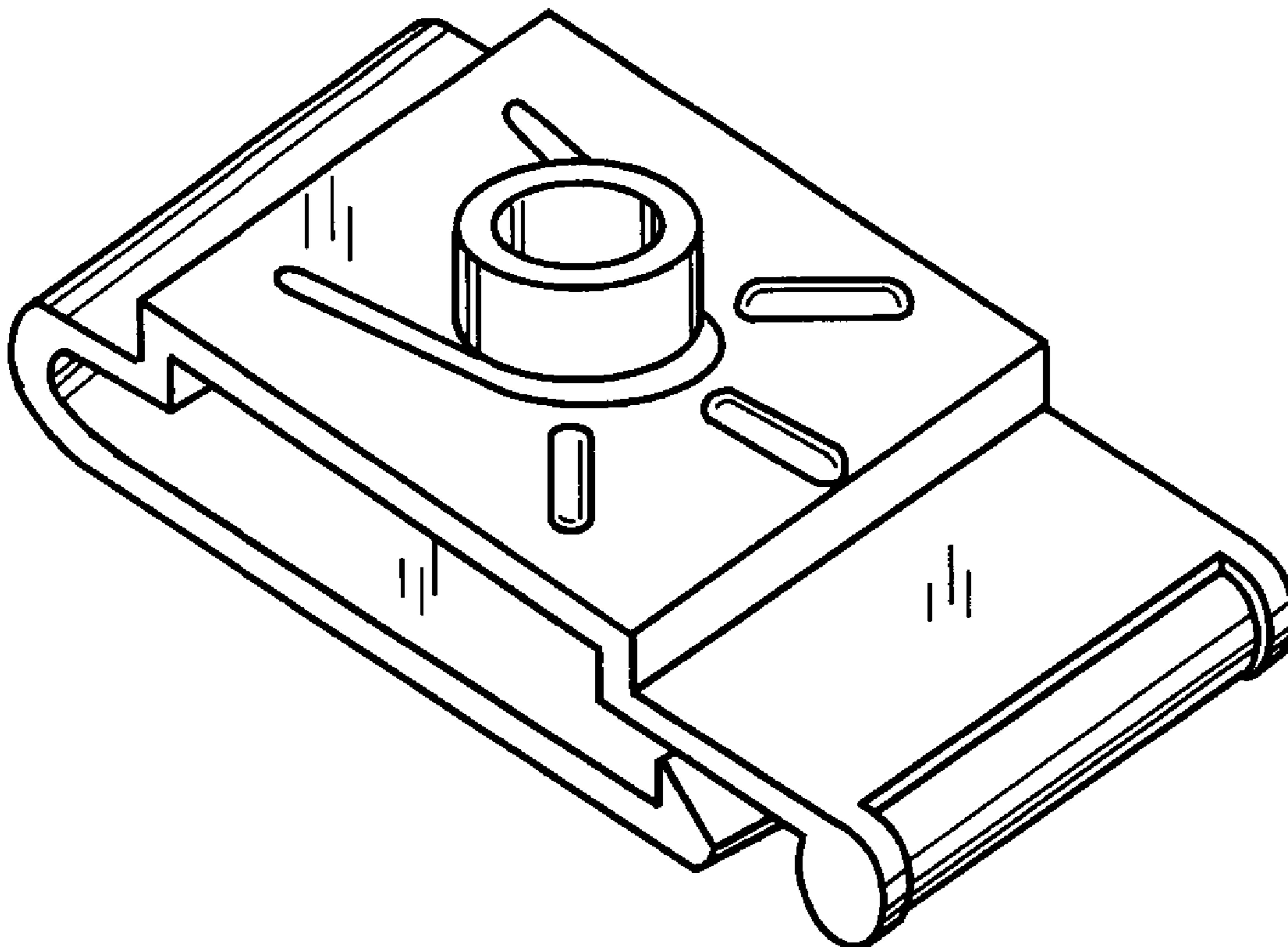


FIG. 1

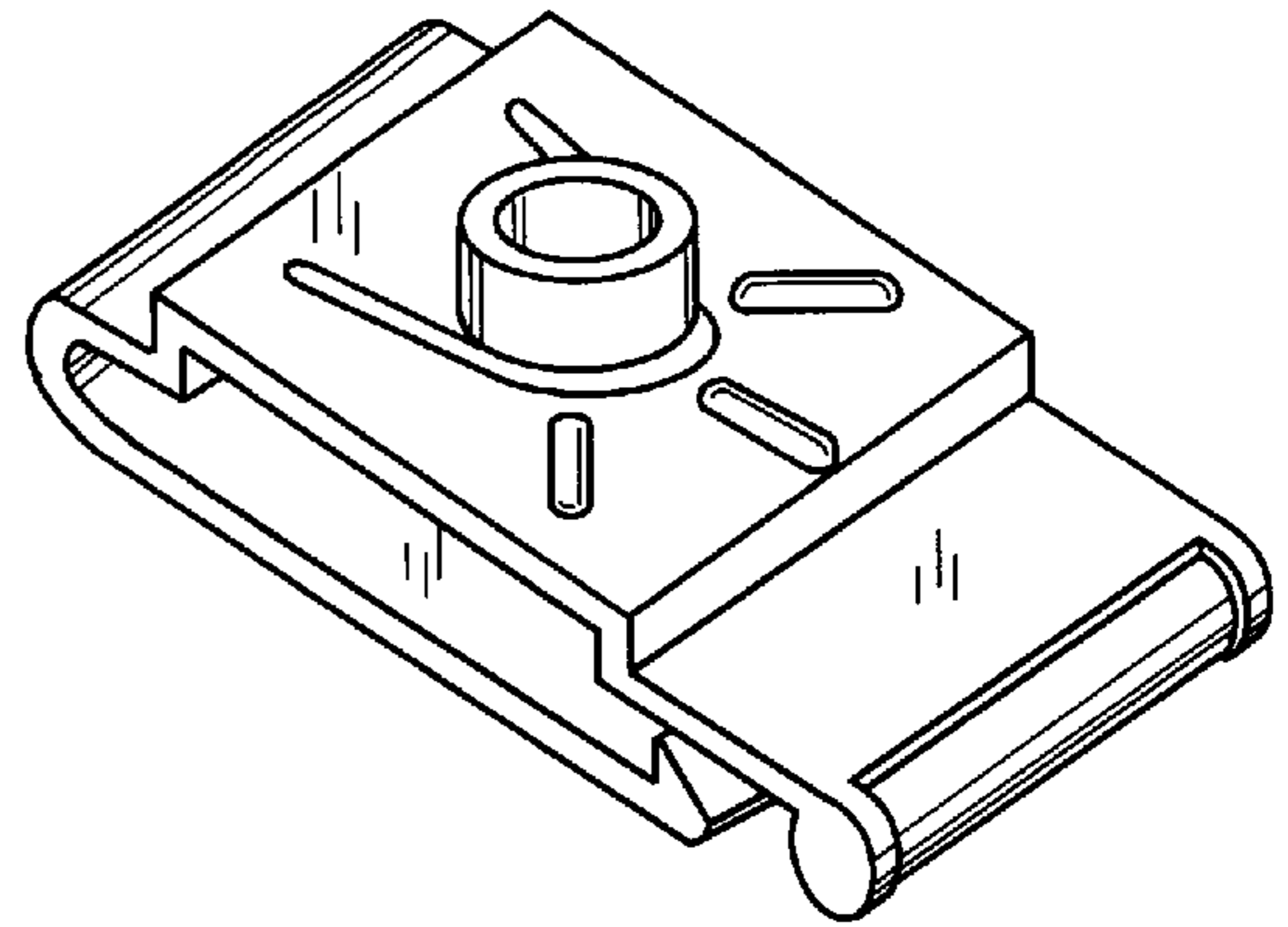


FIG. 7

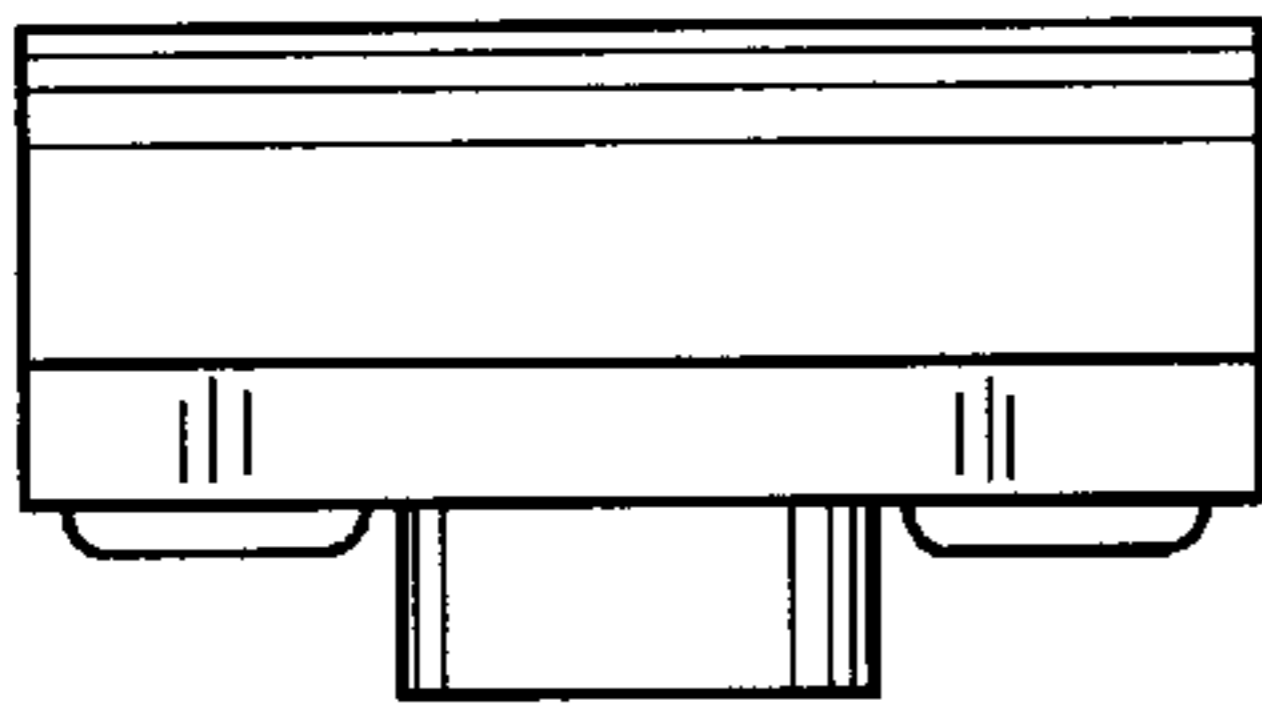


FIG. 2

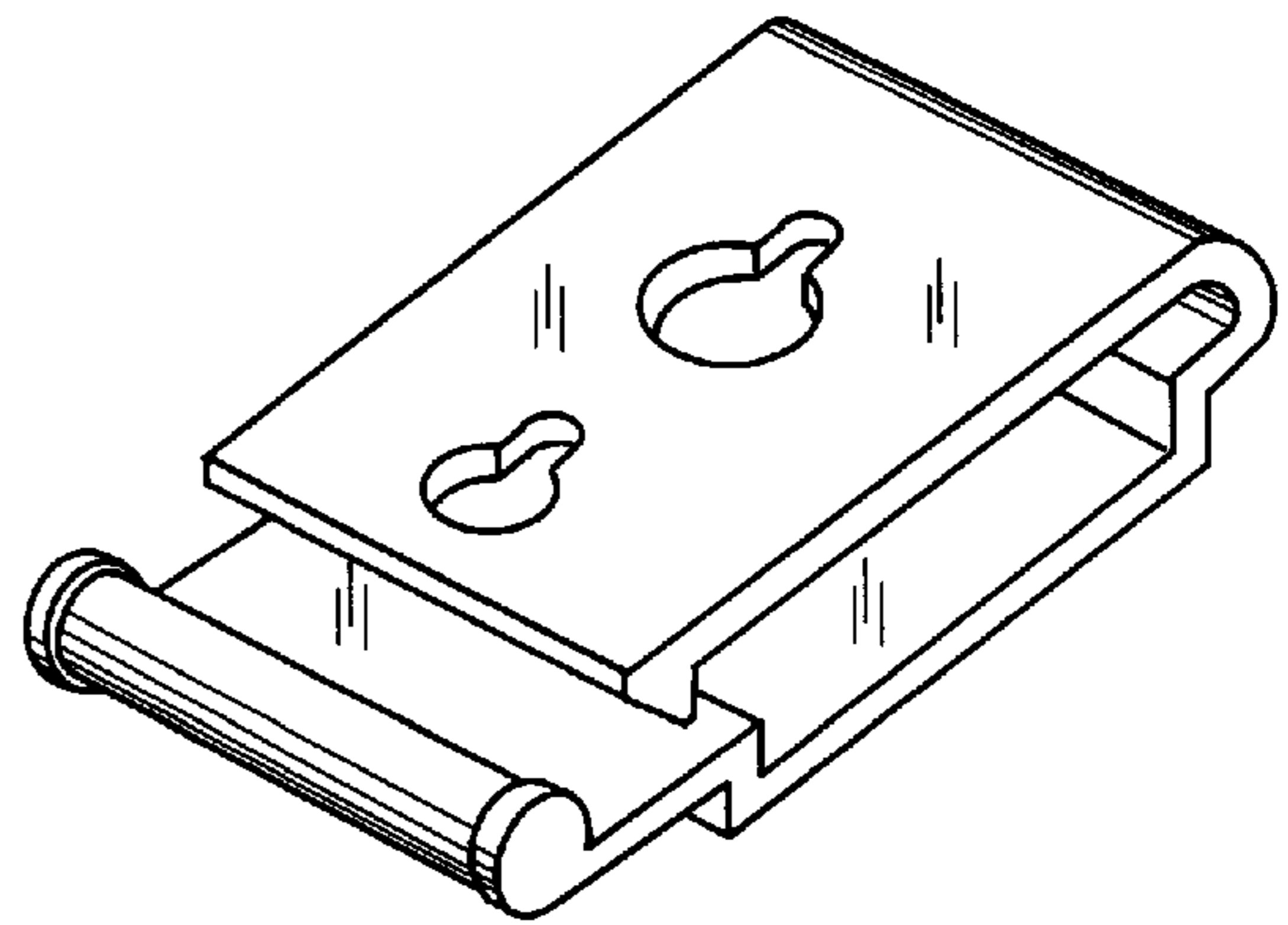


FIG. 8

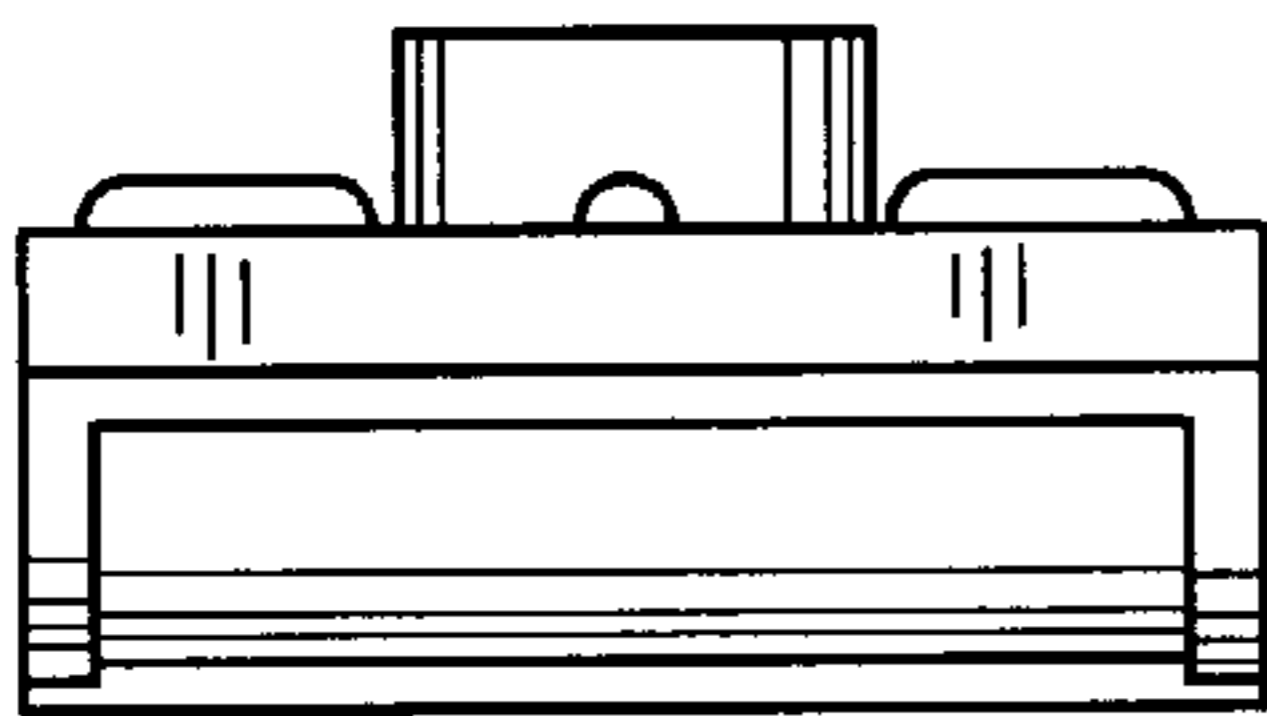


FIG.3

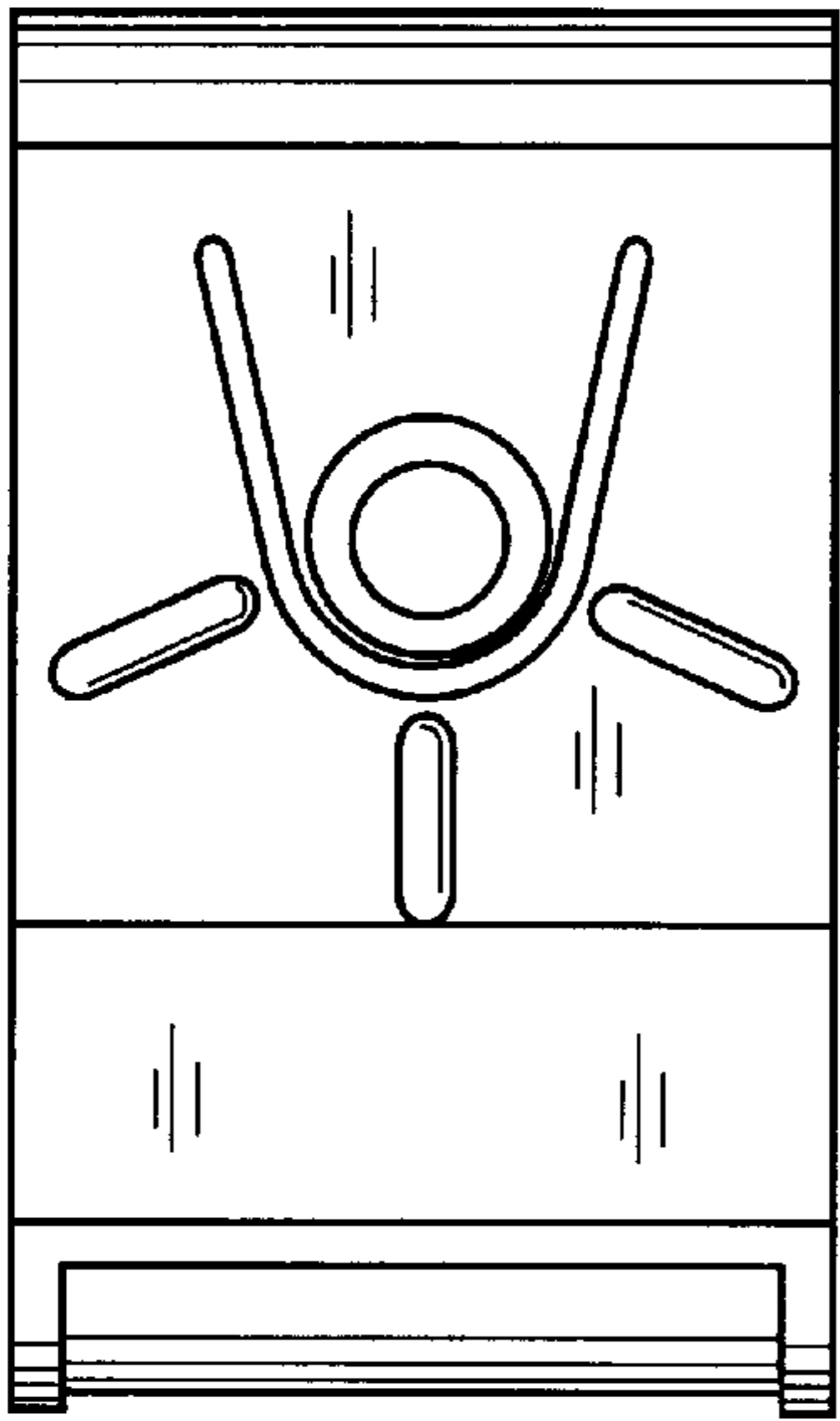


FIG.5

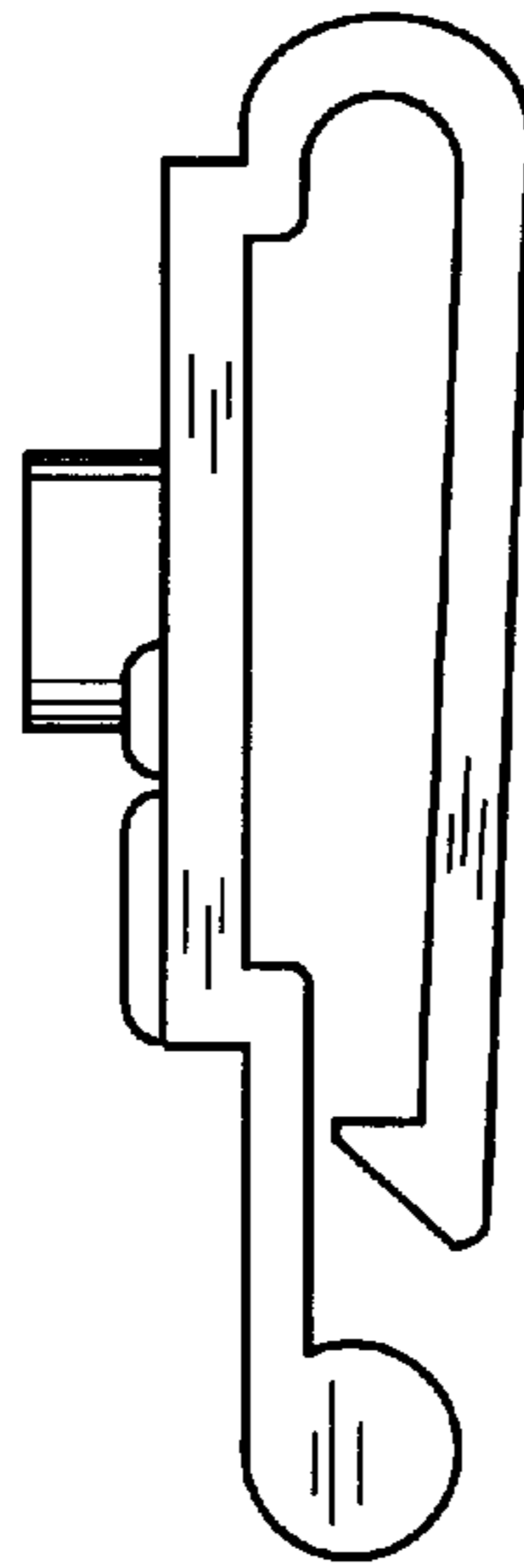


FIG.9

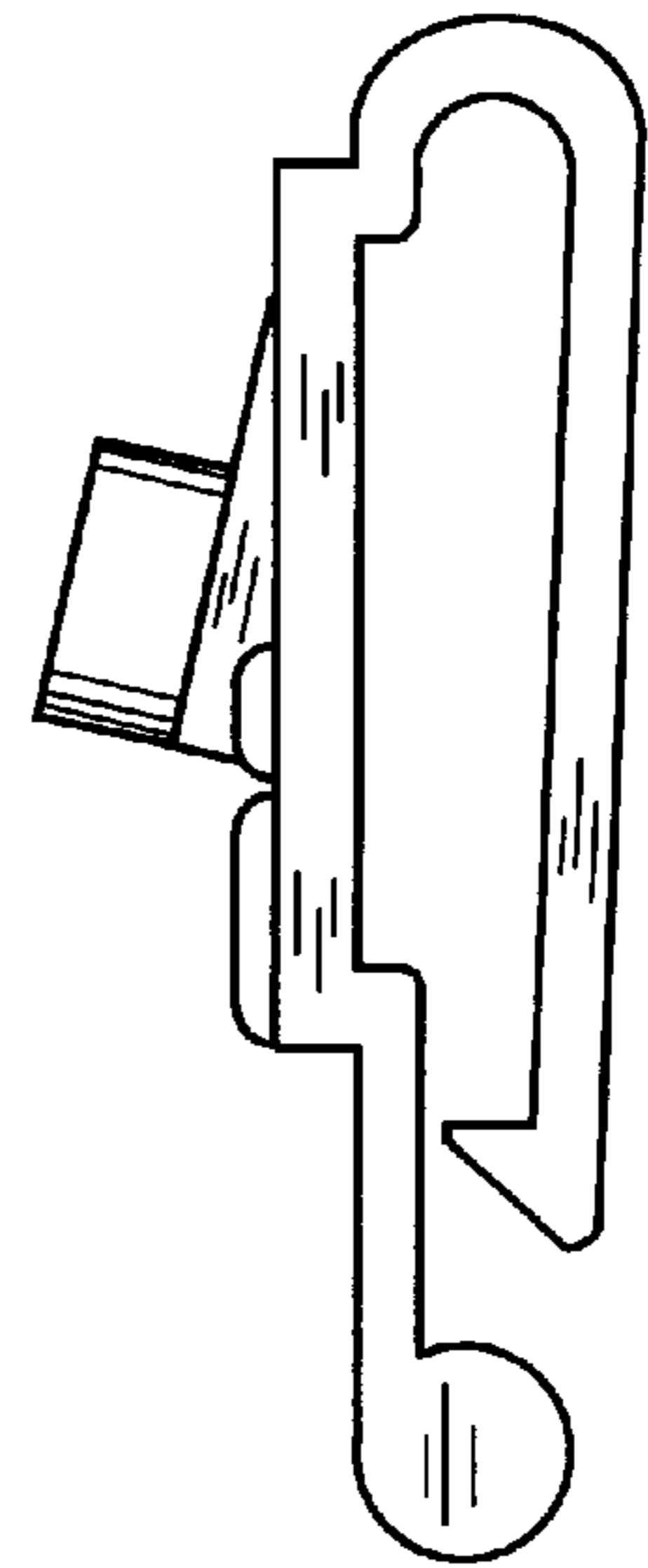


FIG.4

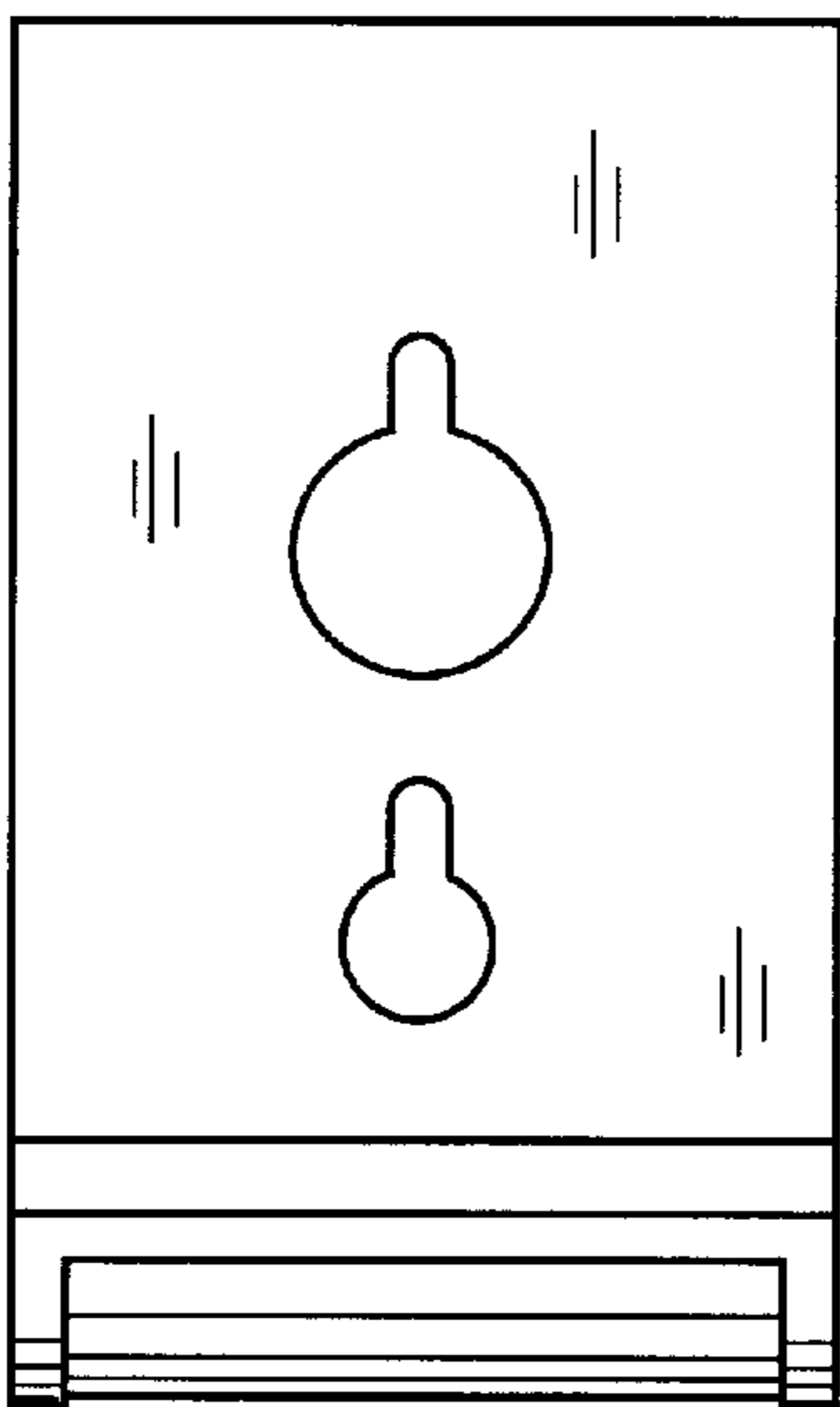


FIG.6

