



US00D433552S

United States Patent [19]

[11] Patent Number: Des. 433,552

McBounds et al.

[45] Date of Patent: ** Nov. 7, 2000

[54] IRON PROTECTION HOLDER DEVICE

[76] Inventors: **Derrick McBounds; Michelle McBounds**, both of 11927 Ohio St., Detroit, Mich. 48204

[**] Term: **14 Years**

[21] Appl. No.: **29/111,436**

[22] Filed: **Sep. 28, 1999**

[51] LOC (7) Cl. **07-05**

[52] U.S. Cl. **D32/73**

[58] Field of Search D32/71, 73; 38/75, 38/94, 142, 107; 248/117.1, 117.2, 117.3, 117.7

[56] **References Cited**

U.S. PATENT DOCUMENTS

D. 89,922	5/1933	Ritz-Woller	D32/73
D. 122,285	9/1940	Davis	D32/71
D. 153,993	5/1949	Stanley	D32/73
D. 155,534	10/1949	Noordhof	D32/73
D. 163,600	6/1951	Hebert	D32/73
D. 170,291	8/1953	Talge	D32/71
D. 176,973	2/1956	Braddock	D32/73
D. 207,119	3/1967	Avery	D32/73
D. 208,373	8/1967	Morris	D32/71
D. 246,497	11/1977	Toyosawa	D32/71
D. 249,627	9/1978	Otsuji	D32/73
D. 336,700	6/1993	Riemann	D32/71
D. 366,545	1/1996	Sambamurti	D32/73

D. 386,864	11/1997	Ratliff et al.	D32/73
D. 396,915	8/1998	McIntyre	D32/71
1,020,390	3/1912	Blakeley	38/94
1,881,144	10/1932	Stein	38/94
1,966,036	7/1934	Malamud	248/117.1
2,458,530	1/1949	Resnick	248/117.1
2,465,881	3/1949	Kelley	38/75
2,528,846	11/1950	Sitnick et al.	248/117.2
2,529,132	11/1950	Burnish, III et al.	248/117.2
2,599,941	6/1952	Rickles	248/117.3
2,655,333	10/1953	Taylor	248/117.1

Primary Examiner—Susan J. Lucas
Assistant Examiner—Cynthia E Ramirez
Attorney, Agent, or Firm—John R. Benefiel

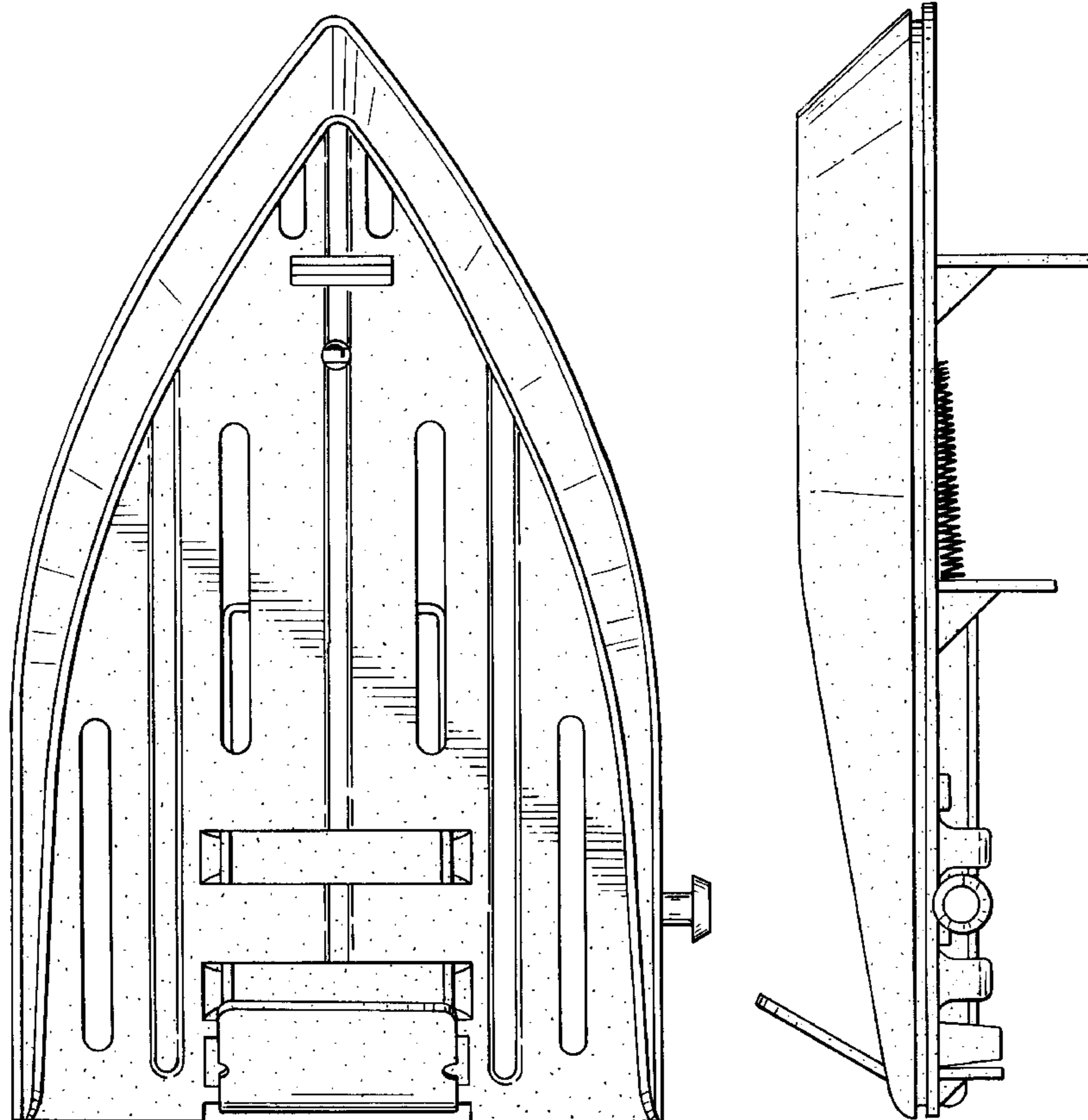
[57] **CLAIM**

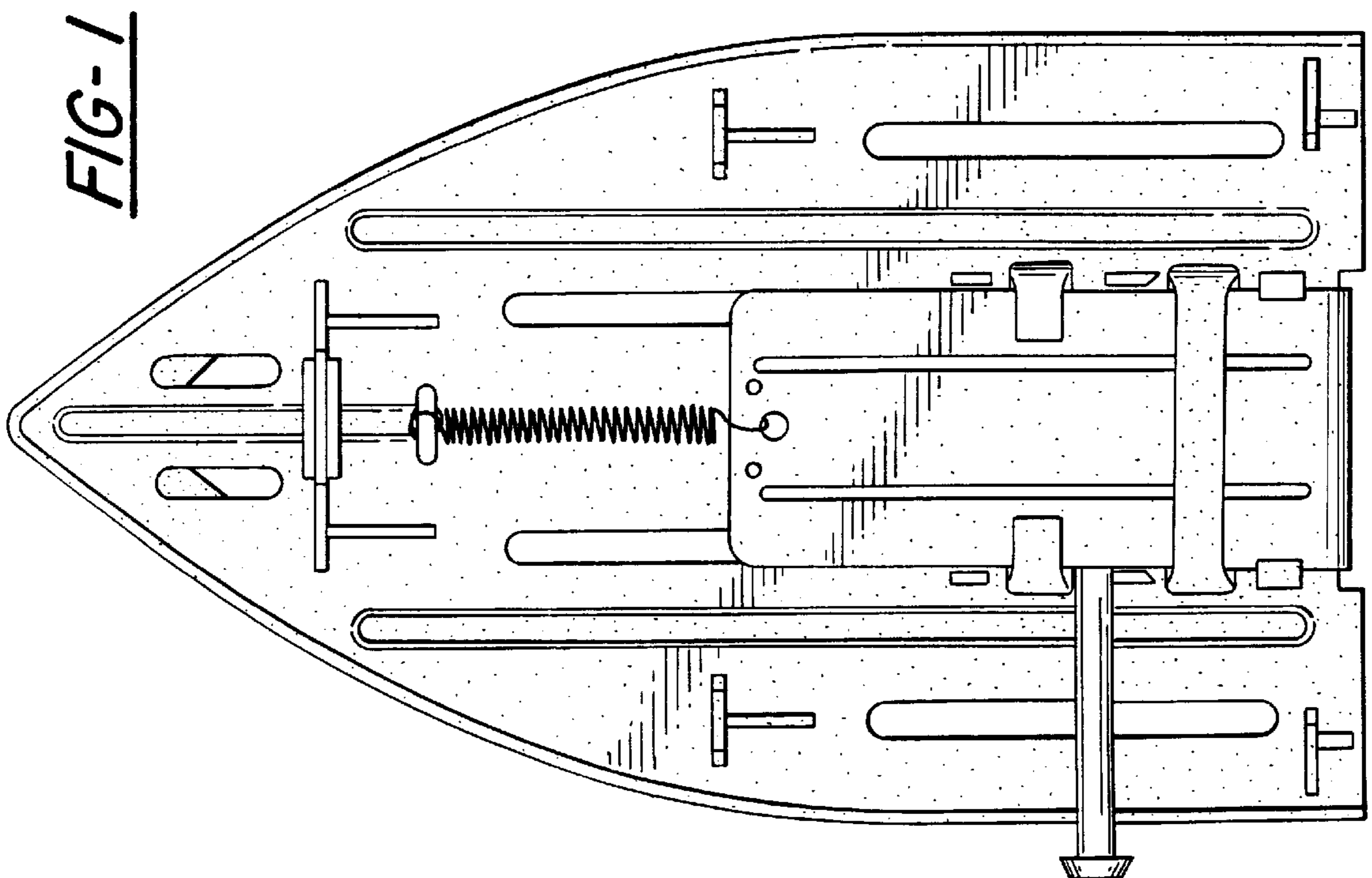
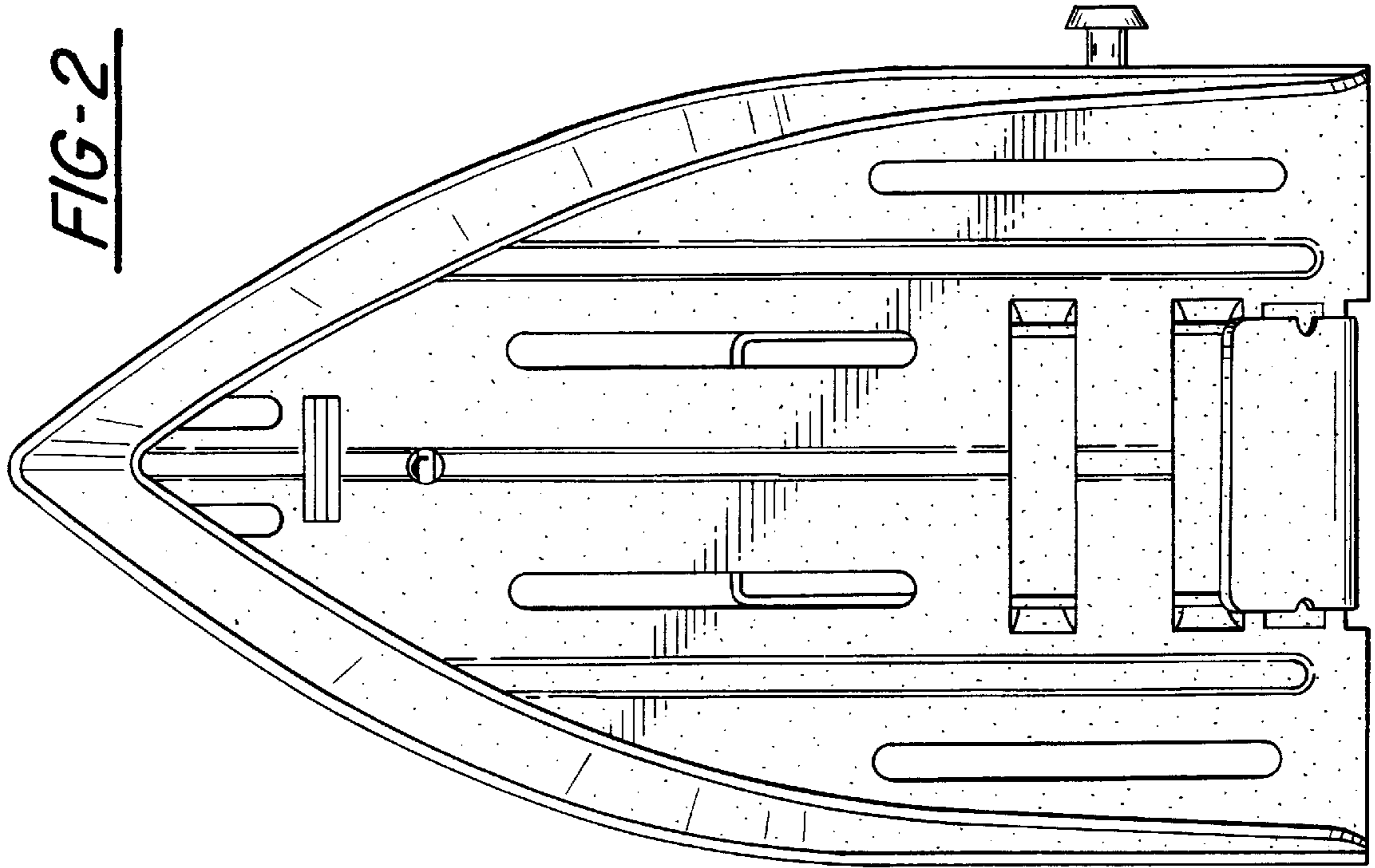
The ornamental design for iron protection holder device, as shown and described.

DESCRIPTION

FIG. 1 is a bottom view of a iron protection holder device according to the present invention.
FIG. 2 is a top view of the iron protection holder device shown in FIG. 1.
FIG. 3 is a side view of the iron protection holder device shown in FIGS. 1 and 2.
FIG. 4 is a front end view of the iron protection holder device shown in FIGS. 1-3; and,
FIG. 5 is a rear end view of the iron protection holder device shown in FIGS. 1-4.

1 Claim, 2 Drawing Sheets





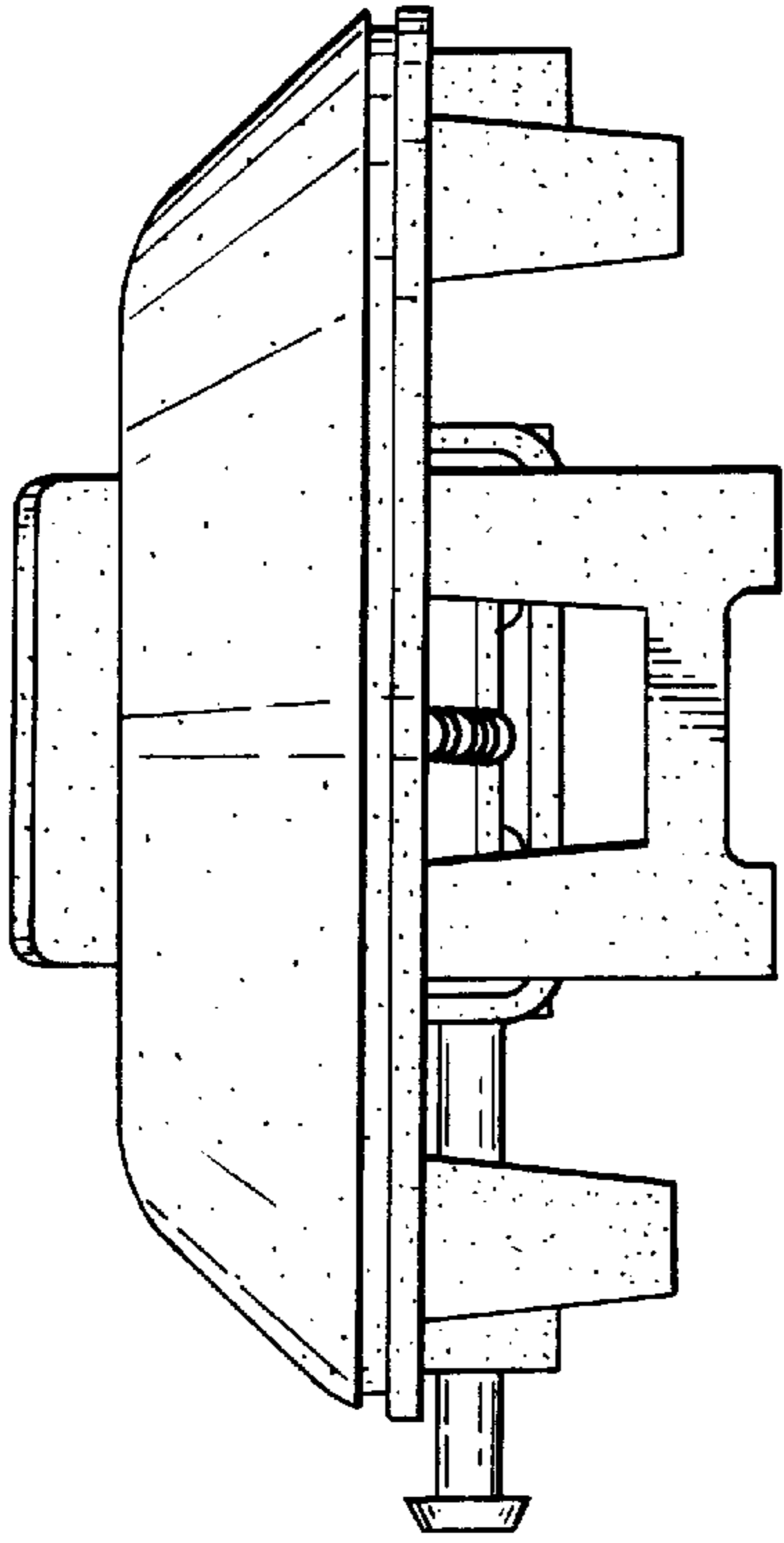


FIG-4

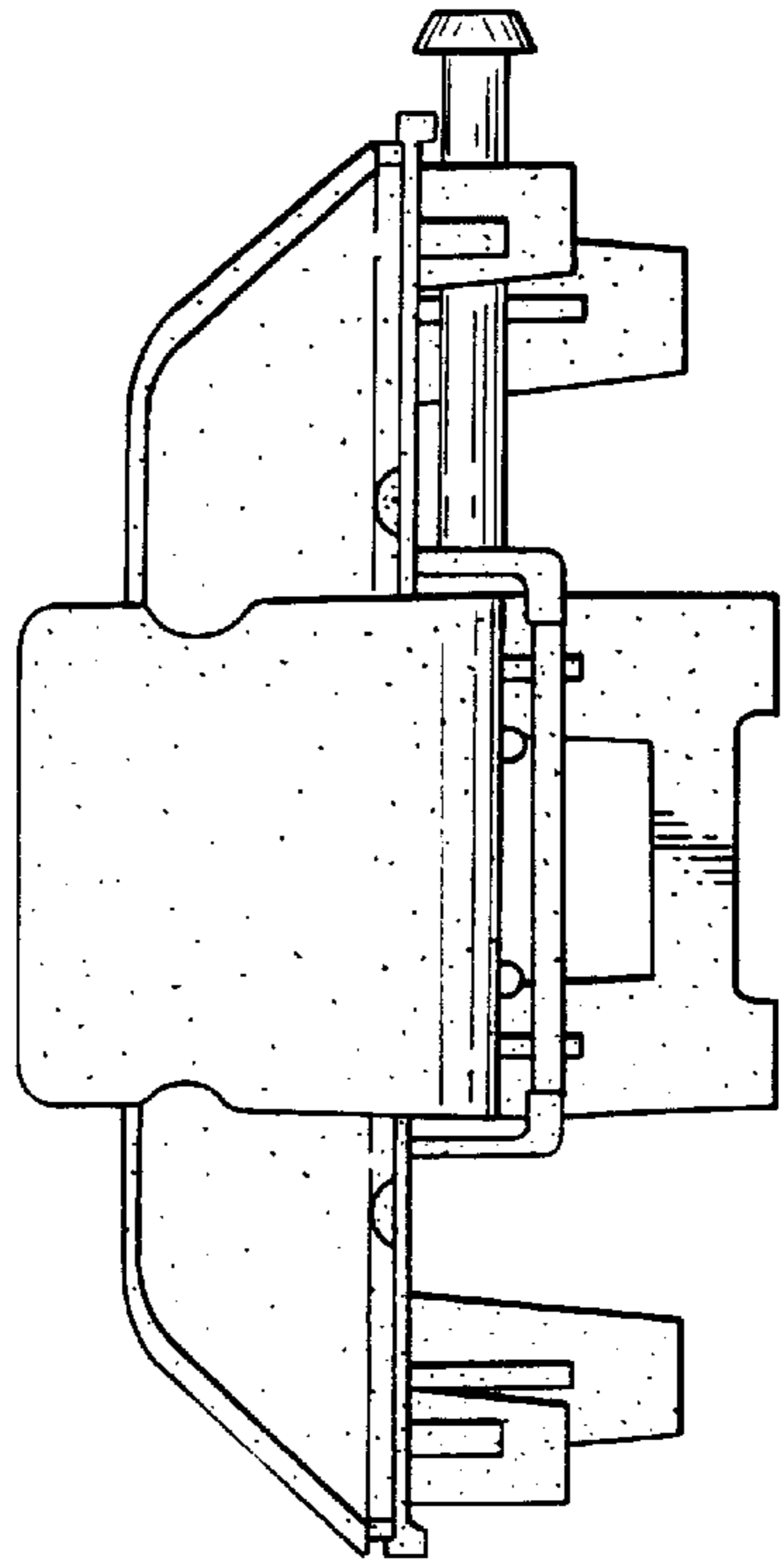


FIG-5

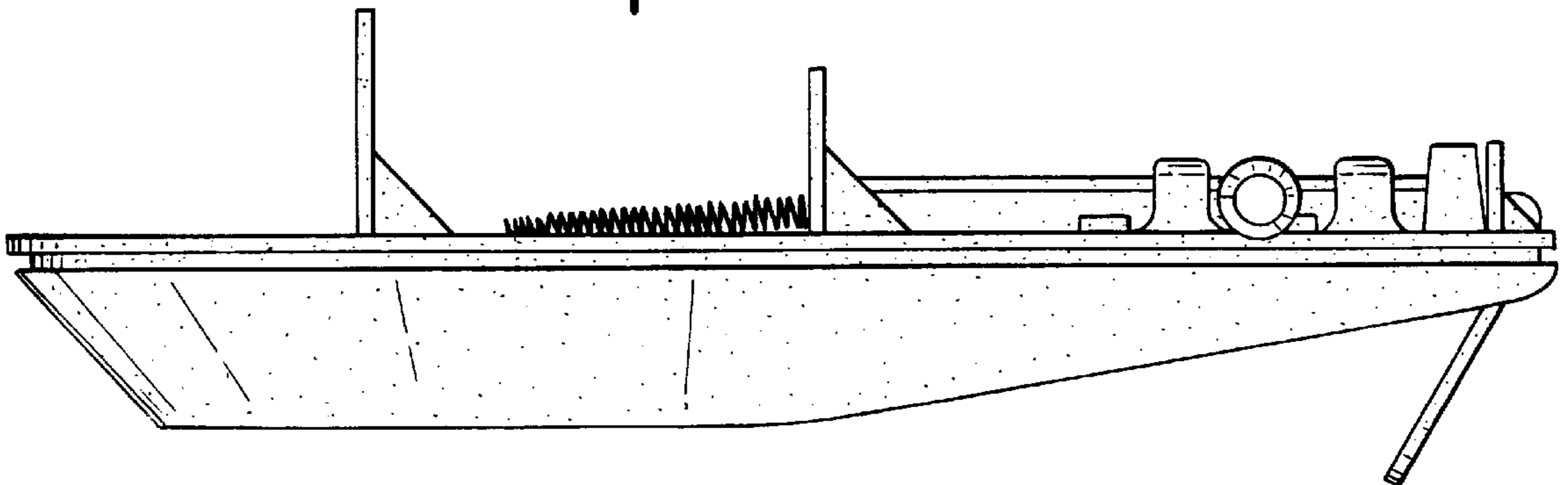


FIG-3