



US00D433547S

United States Patent [19]
Brosher

[11] **Patent Number: Des. 433,547**

[45] **Date of Patent: ** Nov. 7, 2000**

[54] **LOWER PORTION OF LAUNDRY ENCLOSURE PANEL**

[75] Inventor: **Rodney D. Brosher**, Smyrna, Tenn.

[73] Assignee: **CoCoMo, LLC**, Hopkinsville, Ky.

[**] Term: **14 Years**

[21] Appl. No.: **29/104,105**

[22] Filed: **Apr. 28, 1999**

[51] **LOC (7) Cl.** **15-05**

[52] **U.S. Cl.** **D32/25**

[58] **Field of Search** D32/1, 25; 137/360, 137/312, 314; 4/613, 251.1, 614

[56] **References Cited**

U.S. PATENT DOCUMENTS

D. 299,523	1/1989	Poulin .	
D. 337,154	7/1993	Simpson et al. .	
2,389,724	11/1945	Falco .	
2,952,271	9/1960	Dick et al.	137/360
3,096,781	7/1963	Roidt .	
3,148,698	9/1964	Arnold	137/360
3,186,427	6/1965	Martin et al. .	
3,263,242	8/1966	Will .	
3,304,950	2/1967	Hubert .	
3,800,335	4/1974	Buonaura .	
3,895,398	7/1975	Mustee .	
3,996,959	12/1976	Caruth	137/360
4,069,837	1/1978	Jirasek	137/360
4,410,004	10/1983	Kifer et al.	137/360

4,423,528	1/1984	Wiedmeier .	
4,539,721	9/1985	Moore .	
4,716,925	1/1988	Prather .	
4,716,928	1/1988	Prather	137/360
4,765,360	8/1988	Baird .	
5,319,903	6/1994	Holland .	
5,437,303	8/1995	Johnson	137/360
5,467,562	11/1995	Holland .	

Primary Examiner—Mitchell Siegel
Attorney, Agent, or Firm—Waddey & Patterson; I. C. Waddey, Jr.

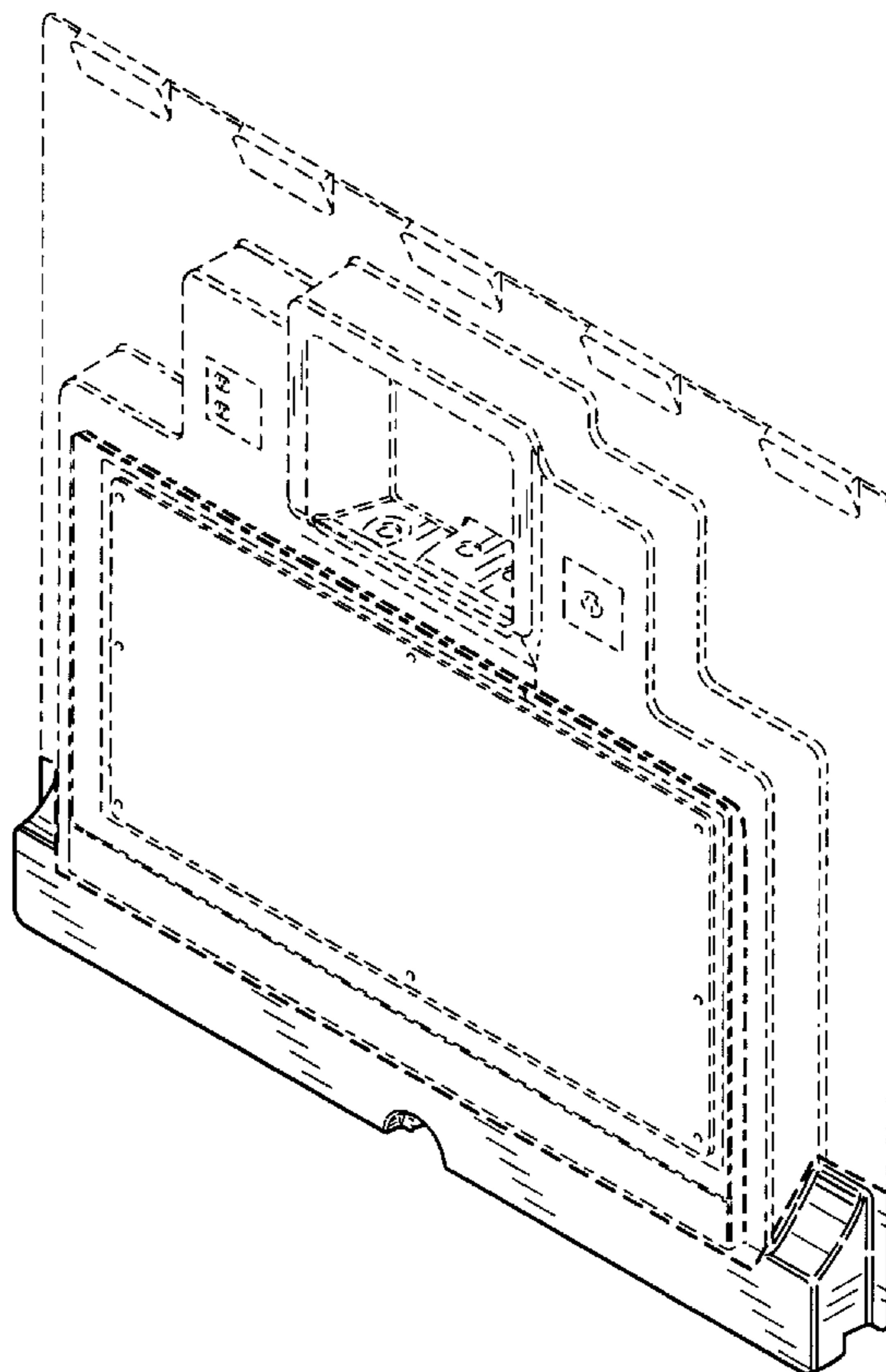
[57] **CLAIM**

The ornamental design for a lower portion of laundry enclosure panel, as shown and described.

DESCRIPTION

FIG. 1 is a front perspective view showing the lower portion of laundry enclosure panel of Applicant's invention. FIG. 2 is a front elevation of the lower portion of laundry enclosure panel of Applicant's invention. FIG. 3 is a side elevation of the lower portion of laundry enclosure panel of Applicant's invention, both sides being identical. FIG. 4 is a top elevation of the lower portion of laundry enclosure panel of Applicant's invention; and, FIG. 5 is a bottom side elevation of the lower portion of laundry enclosure panel of Applicant's invention. The broken line showing is for illustrative purposes only and forms no part of the claimed design.

1 Claim, 2 Drawing Sheets



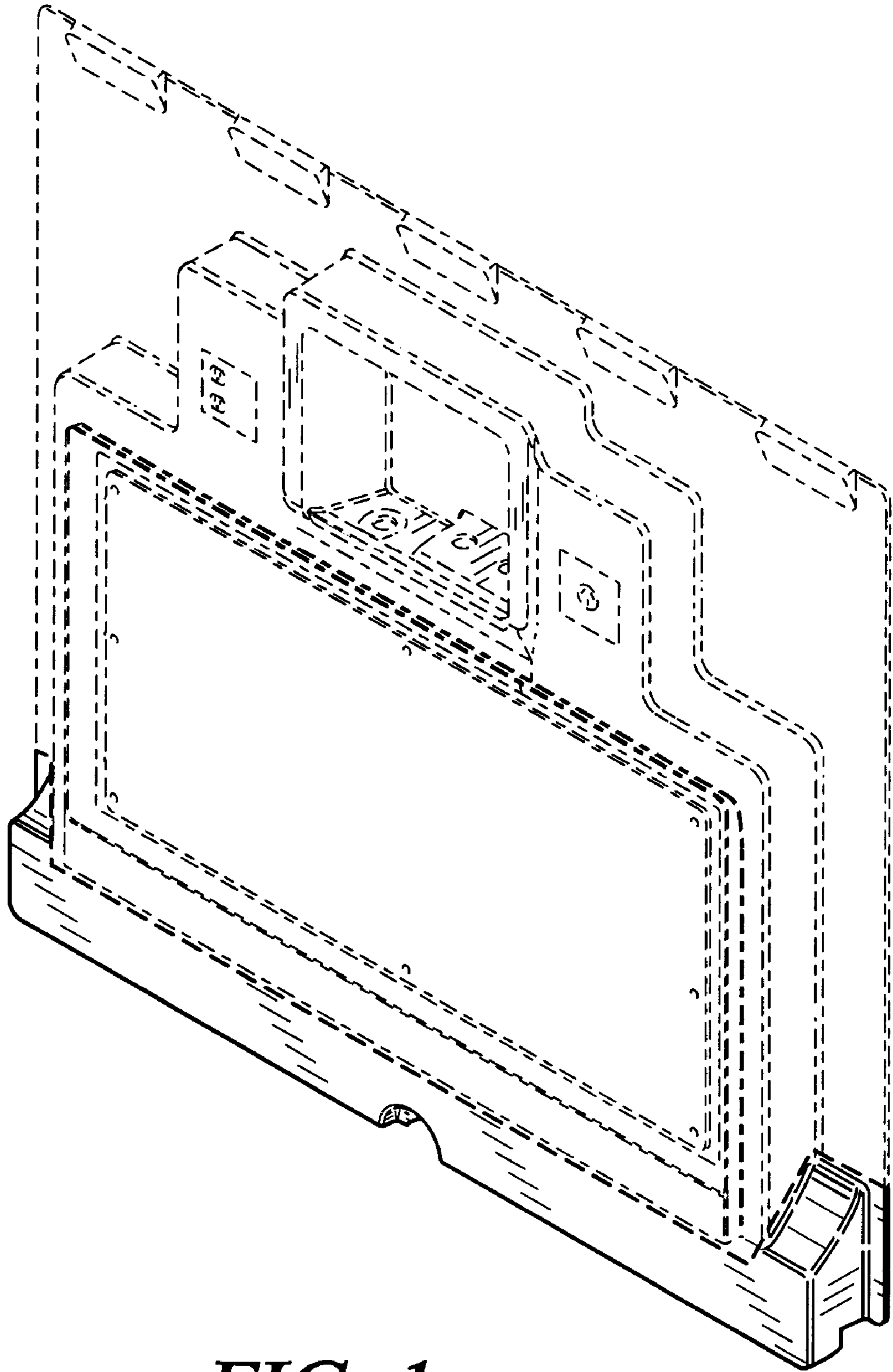


FIG. 1

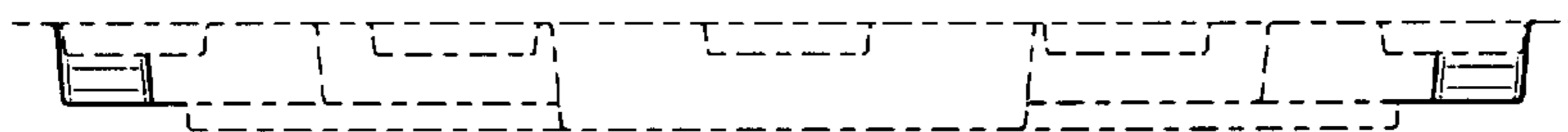


FIG. 4

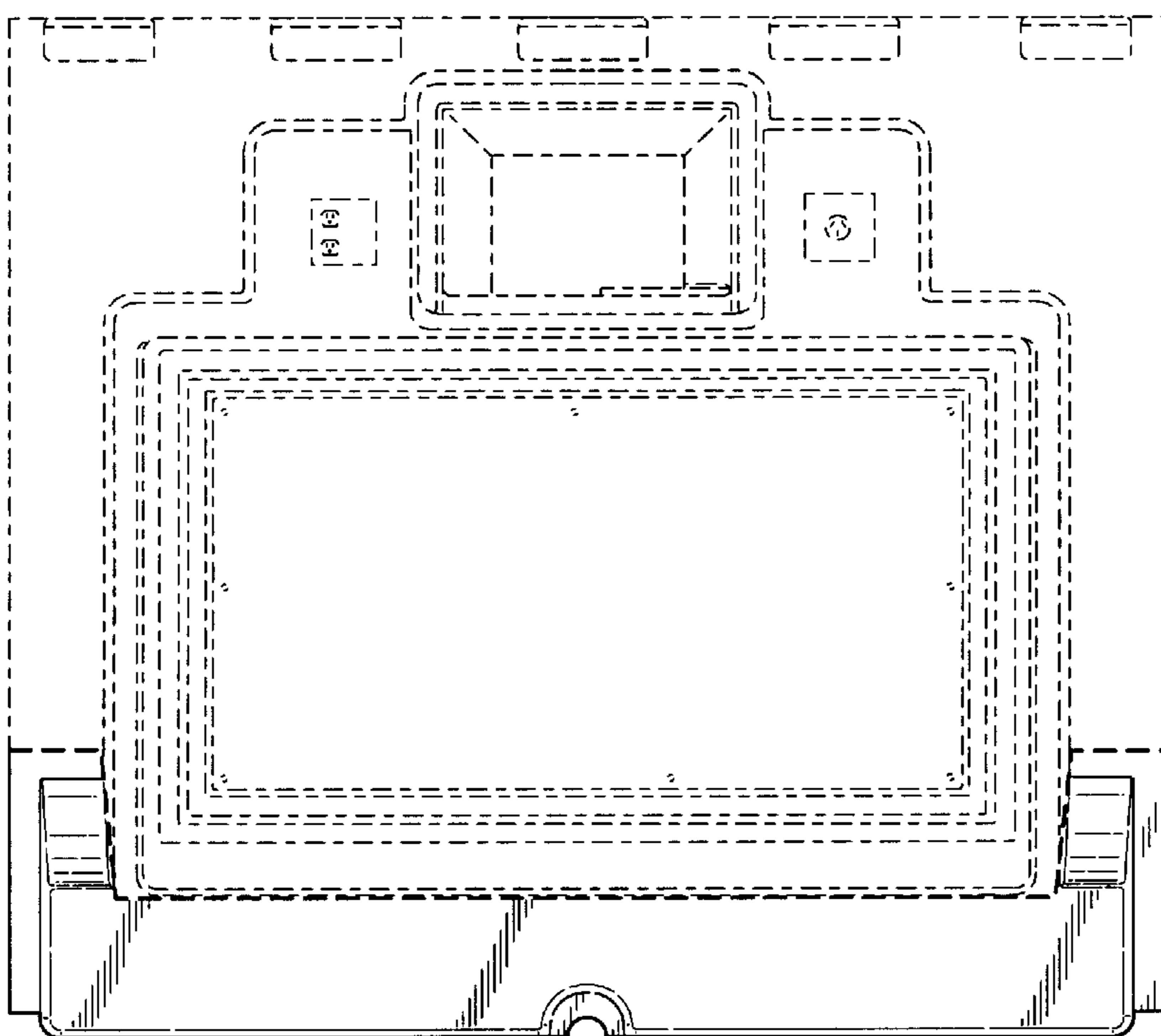


FIG. 2

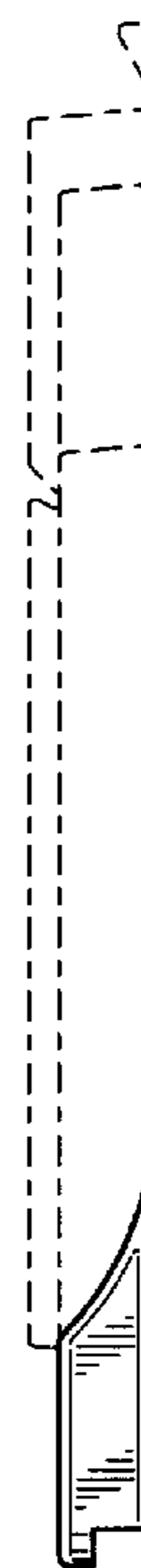


FIG. 3

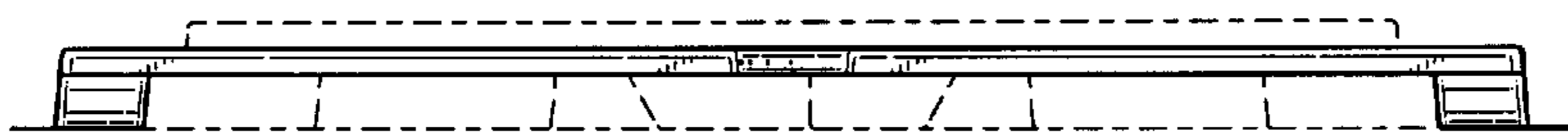


FIG. 5