



US00D433545S

# United States Patent [19] Hollinger et al.

[11] **Patent Number: Des. 433,545**  
[45] **Date of Patent: \*\* Nov. 7, 2000**

[54] **SWIMMING POOL CLEANER HOUSING**  
[75] Inventors: **Fred Hollinger**, Kings Park, N.Y.;  
**Bernhard Schaub**, University Heights,  
Ohio  
[73] Assignee: **H-Tech, Inc.**, Wilmington, Del.  
[\*\*] Term: **14 Years**

D. 418,640 1/2000 Veloskey et al. .... D32/1  
4,749,478 6/1988 Brooks .  
4,768,532 9/1988 Johnson .  
4,900,432 2/1990 Arnold et al. .  
4,939,806 7/1990 Supra .  
5,195,563 3/1993 Brooks .  
5,412,826 5/1995 Raubenheimer .

[21] Appl. No.: **29/112,603**  
[22] Filed: **Oct. 19, 1999**  
[51] **LOC (7) Cl.** ..... **15-05**  
[52] **U.S. Cl.** ..... **D32/1**  
[58] **Field of Search** ..... D32/1, 15-22,  
D32/25, 28, 31-34; 15/1.7; 55/373, 374;  
180/116, 119, 120, 125, 130; 210/169,  
416.2, 460

### FOREIGN PATENT DOCUMENTS

9701689 1/1997 WIPO .  
9749504 12/1997 WIPO .  
9749882 12/1997 WIPO .  
9933582 7/1999 WIPO .  
9934077 7/1999 WIPO .

*Primary Examiner*—Louis S. Zarfes  
*Assistant Examiner*—Robert A. Delehanty  
*Attorney, Agent, or Firm*—Selitto & Associates

### [56] **References Cited** U.S. PATENT DOCUMENTS

D. 223,509 4/1972 Hohulin et al. .  
D. 289,213 4/1987 Perkins .  
D. 297,675 9/1988 Umehara et al. .  
D. 315,431 3/1991 Ikeda et al. .  
D. 344,165 2/1994 Kuriya .  
D. 361,178 8/1995 Piret .  
D. 373,230 8/1996 Sebor et al. .... D32/1  
D. 376,450 12/1996 Campbell et al. .  
D. 384,782 10/1997 Gefter .  
D. 388,913 1/1998 Williams et al. .... D32/1  
D. 417,322 11/1999 Hollinger .

### [57] **CLAIM**

The ornamental design for a swimming pool cleaner hous-  
ing, as shown.

### DESCRIPTION

FIG. 1 is a front perspective view of a swimming pool cleaner housing showing our new design; FIG. 2 is a front elevational view thereof; FIG. 3 is a rear elevational view thereof; FIG. 4 is a right side elevational view thereof; FIG. 5 is a left side elevational view thereof; and, FIG. 6 is a top plan view thereof.

**1 Claim, 6 Drawing Sheets**

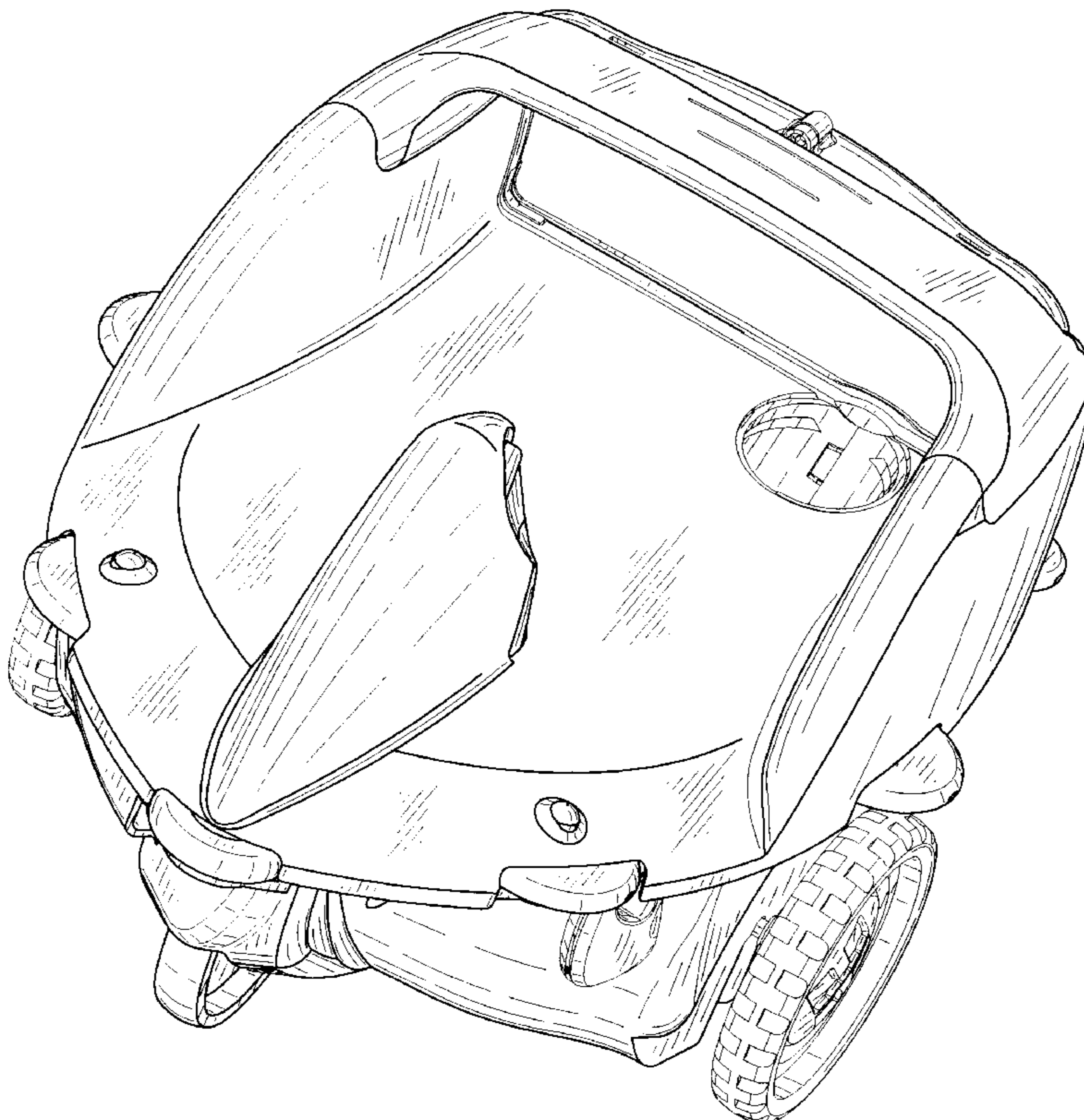


FIG. 1

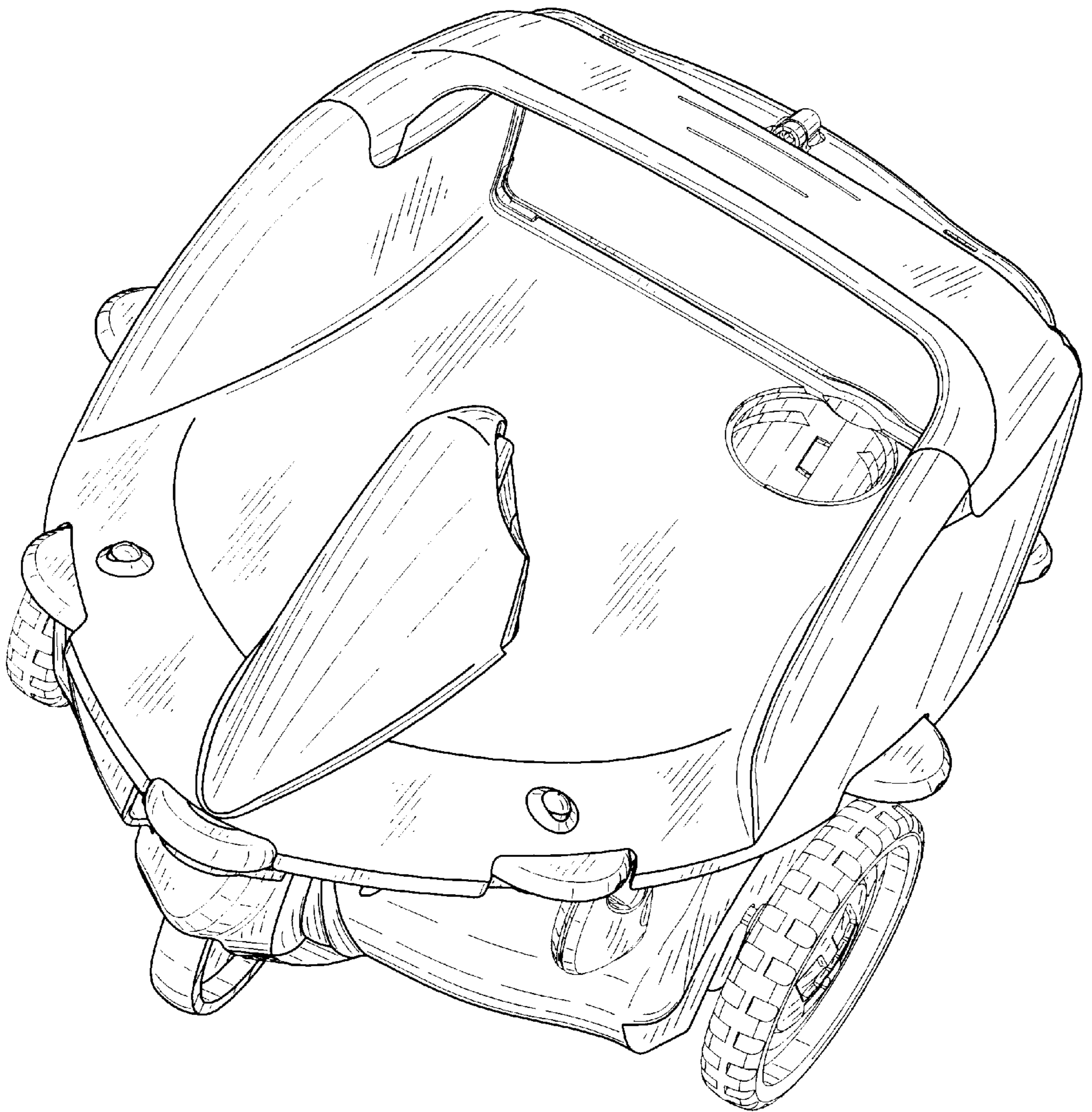


FIG. 2

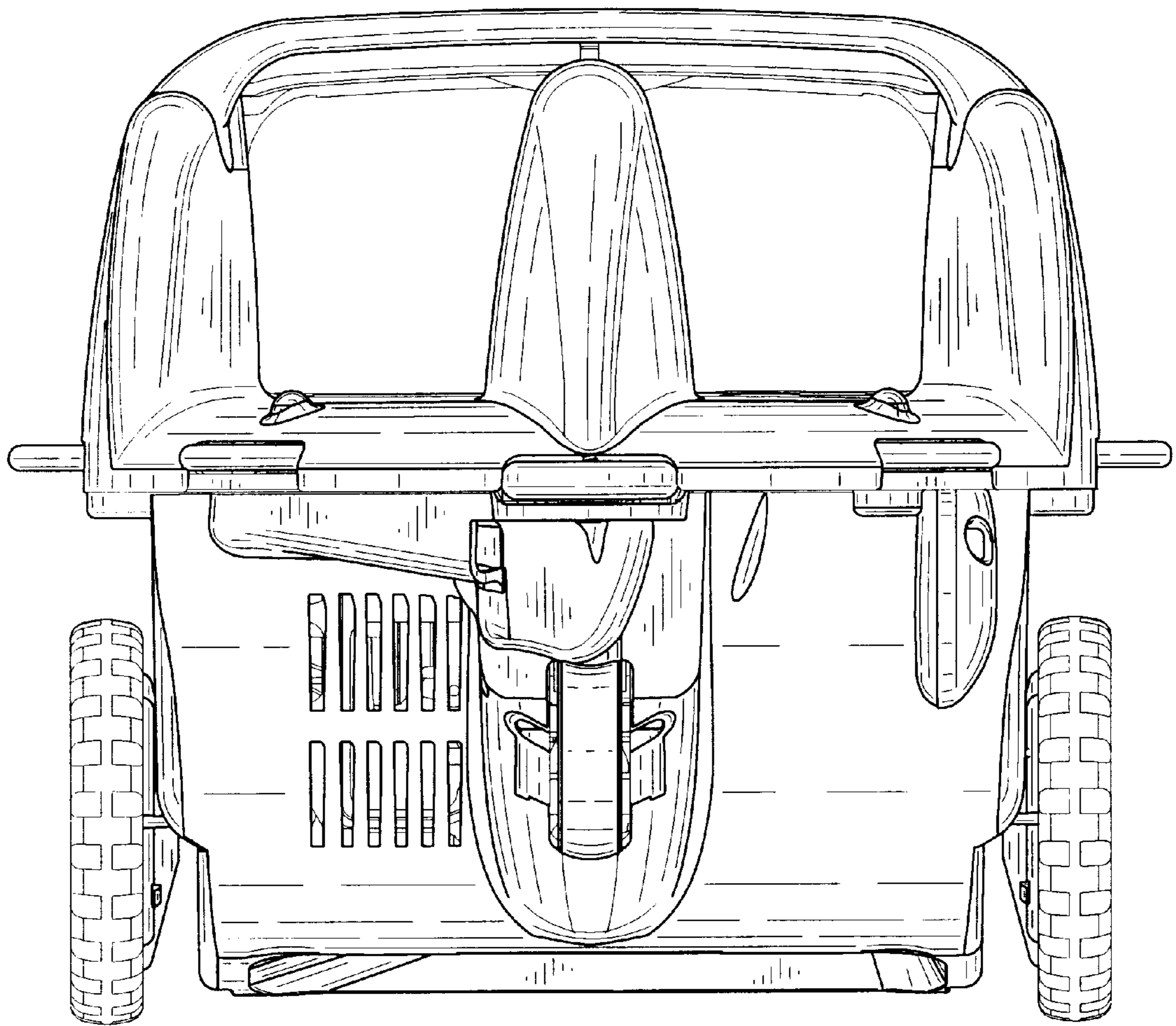




FIG. 3

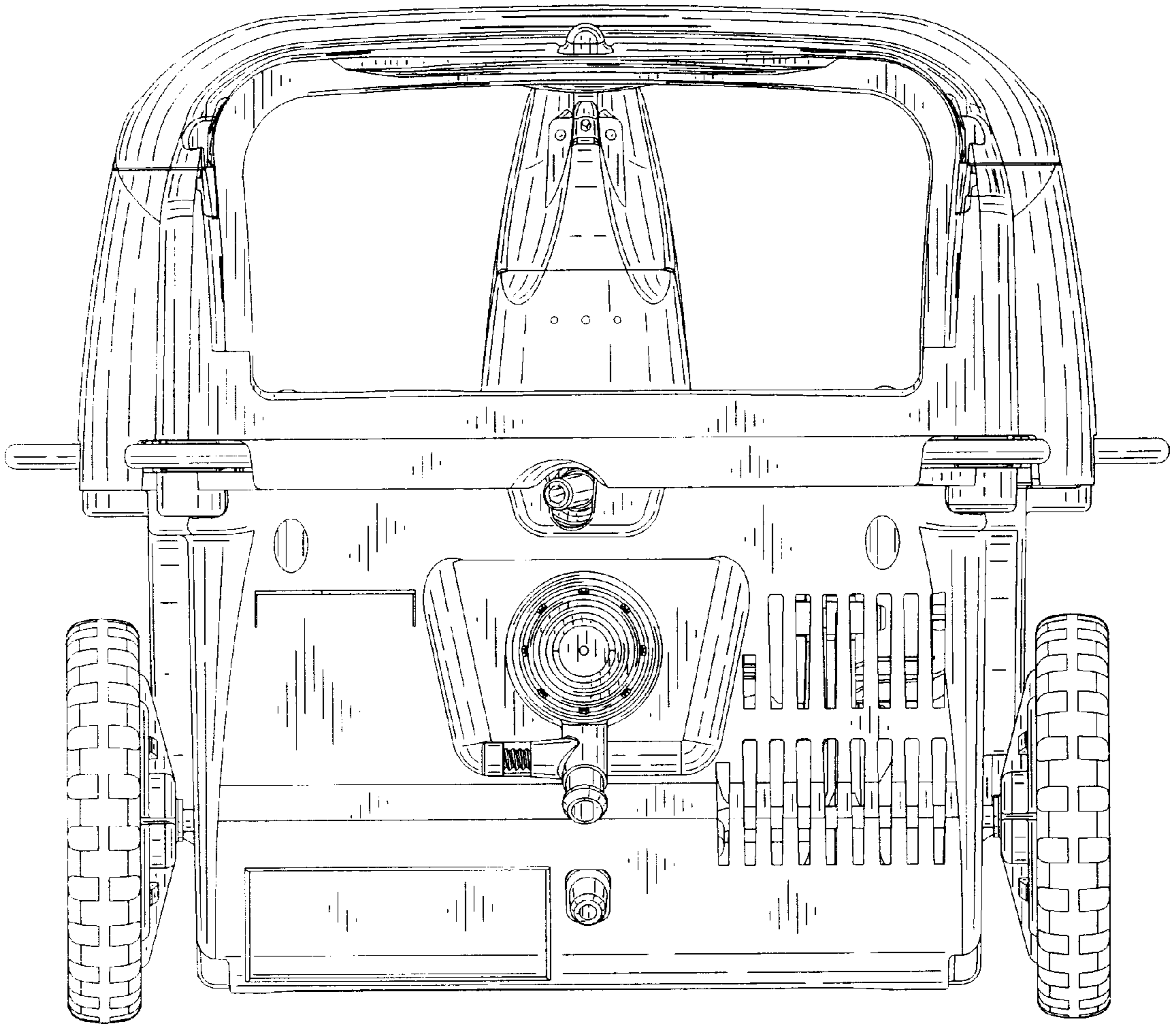


FIG. 4

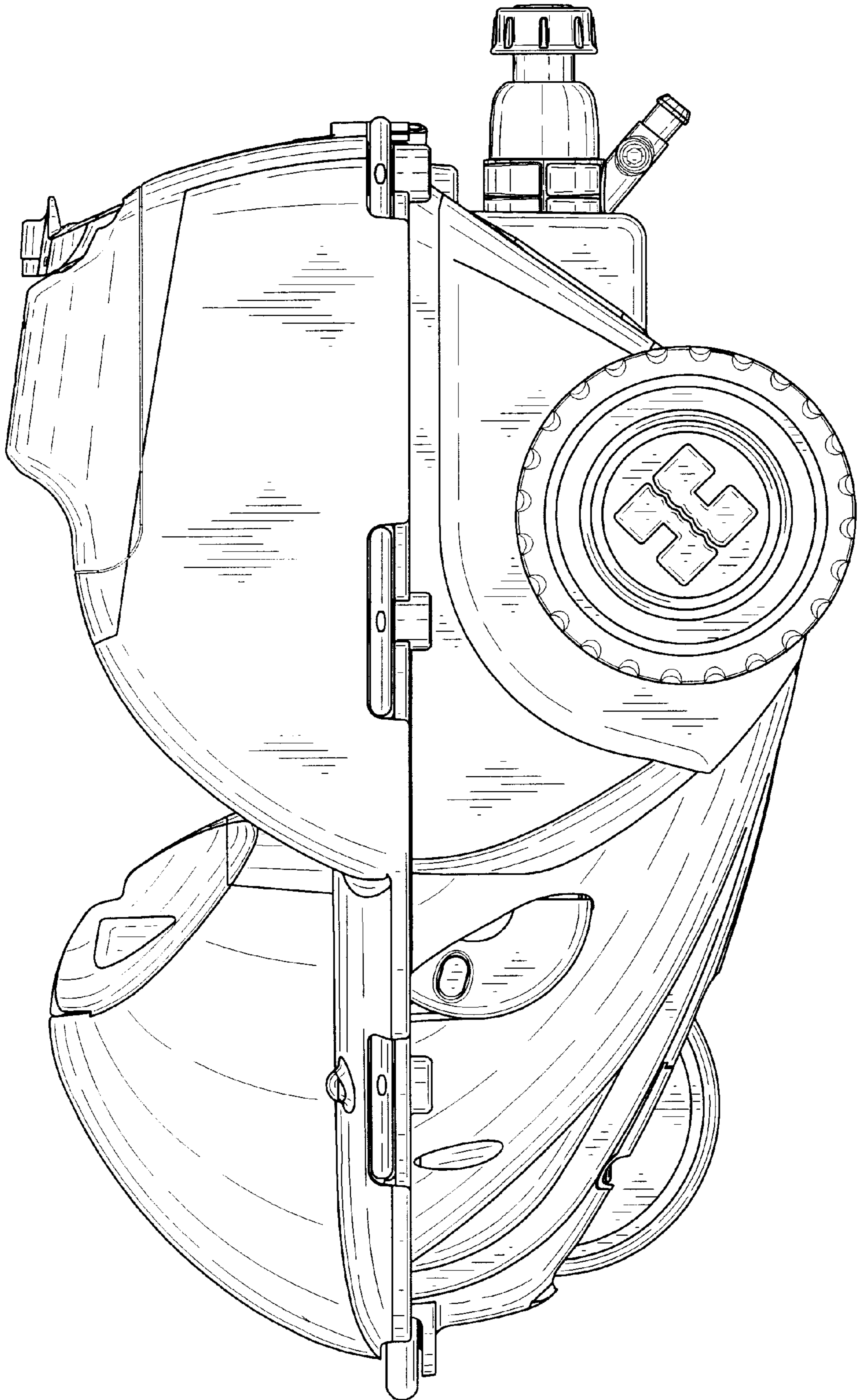


FIG. 5

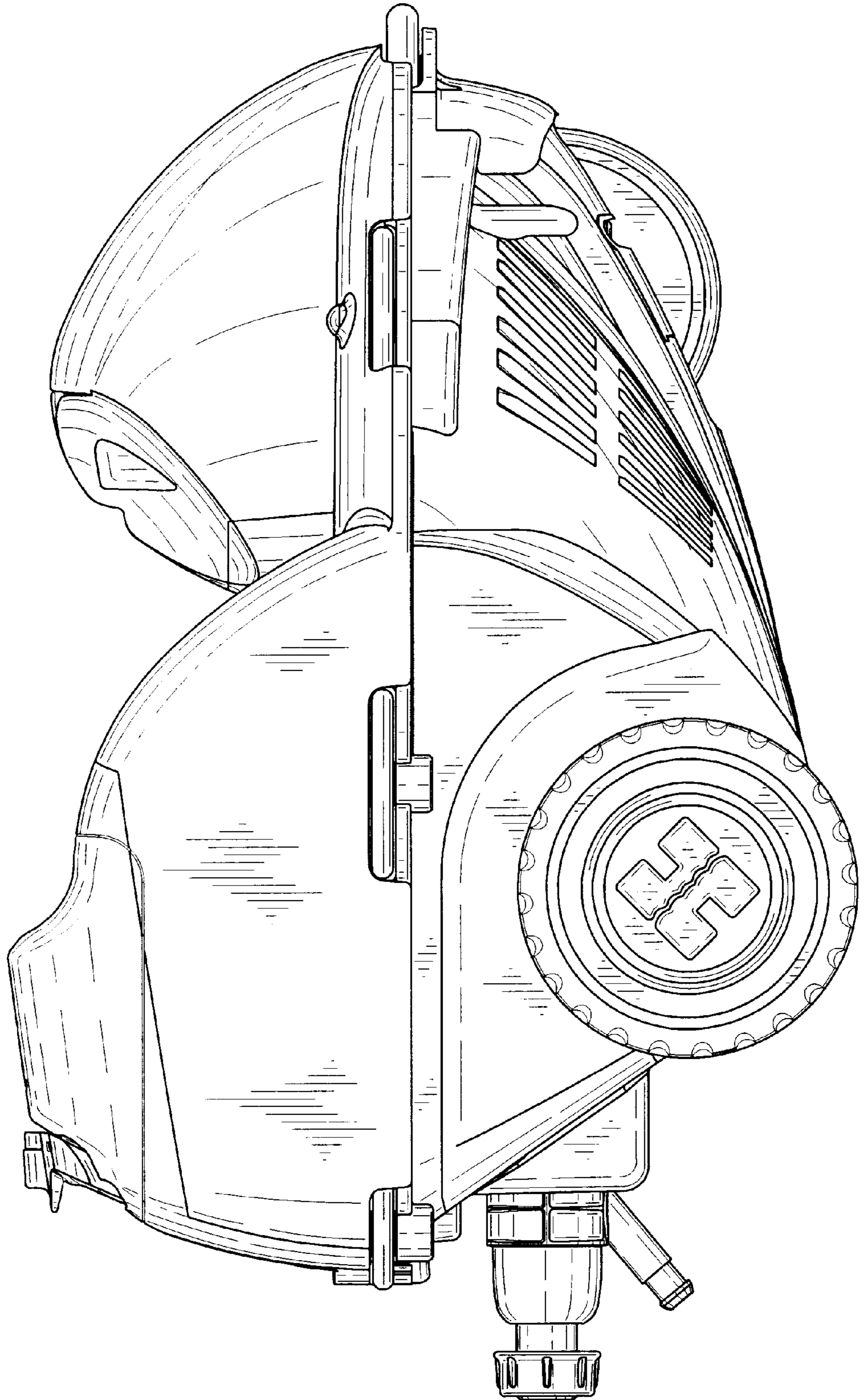




FIG. 6

