



US00D433531S

**United States Patent** [19]  
**Hsu**

[11] **Patent Number: Des. 433,531**  
[45] **Date of Patent: \*\* Nov. 7, 2000**

[54] **FLOOR LAMP**

D. 328,152 7/1992 Benghozi ..... D26/106  
D. 403,099 12/1998 Hsu ..... D26/112  
D. 407,522 3/1999 Hsu ..... D26/108

[75] Inventor: **Peter Hsu**, Taichung, Taiwan

[73] Assignee: **Whole Bright Industries Ltd.**, Chai Wan, The Hong Kong Special Administrative Region of the People's Republic of China

*Primary Examiner*—Alan P. Douglas  
*Assistant Examiner*—Linda Brooks  
*Attorney, Agent, or Firm*—Rosenberg, Klein & Lee

[\*\*] Term: **14 Years**

[57] **CLAIM**

The ornamental design for a floor lamp, as shown and described.

[21] Appl. No.: **29/120,728**

**DESCRIPTION**

[22] Filed: **Mar. 27, 2000**

[51] **LOC (7) Cl.** ..... **26-03**

[52] **U.S. Cl.** ..... **D26/112**

[58] **Field of Search** ..... D26/93, 105-113,  
D26/118; 362/410-414

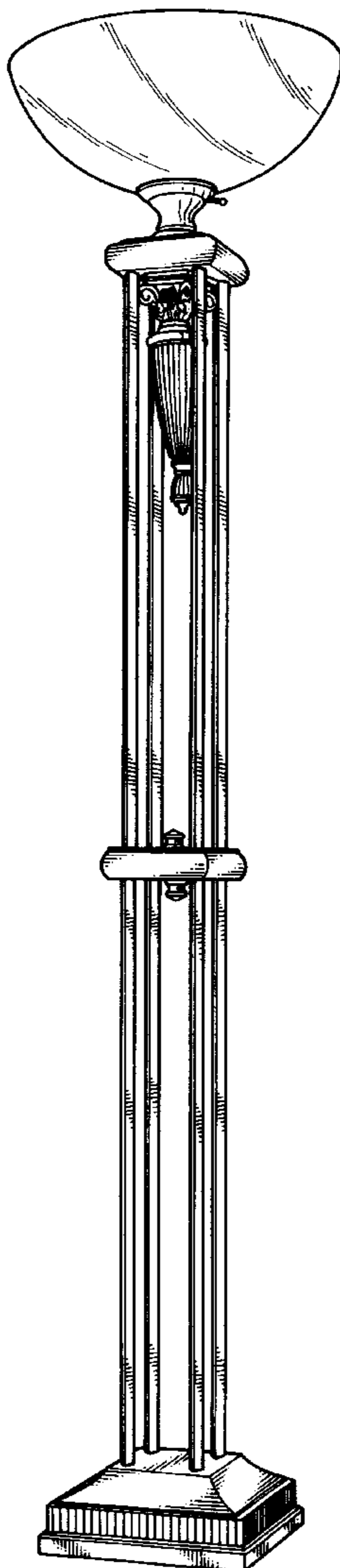
FIG. 1 is a perspective view of a floor lamp showing my new design;  
FIG. 2 is a front elevation view thereof;  
FIG. 3 is a rear elevation view thereof;  
FIG. 4 is a left side elevation view thereof;  
FIG. 5 is a right side elevation view thereof;  
FIG. 6 is a top plan view thereof; and,  
FIG. 7 is a bottom plan view thereof.

[56] **References Cited**

**U.S. PATENT DOCUMENTS**

D. 315,031 2/1991 Berry, Jr. .... D26/105

**1 Claim, 4 Drawing Sheets**



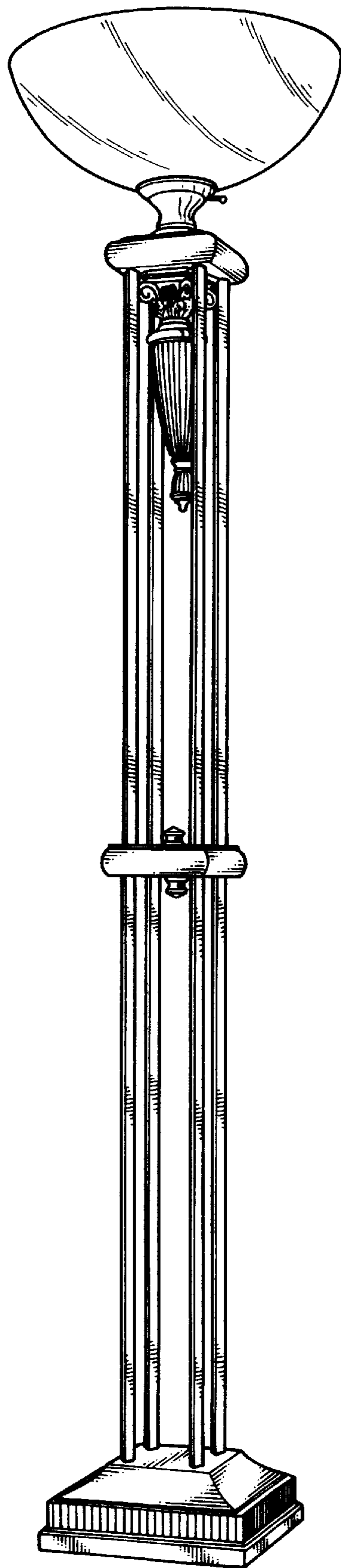


FIG. 1

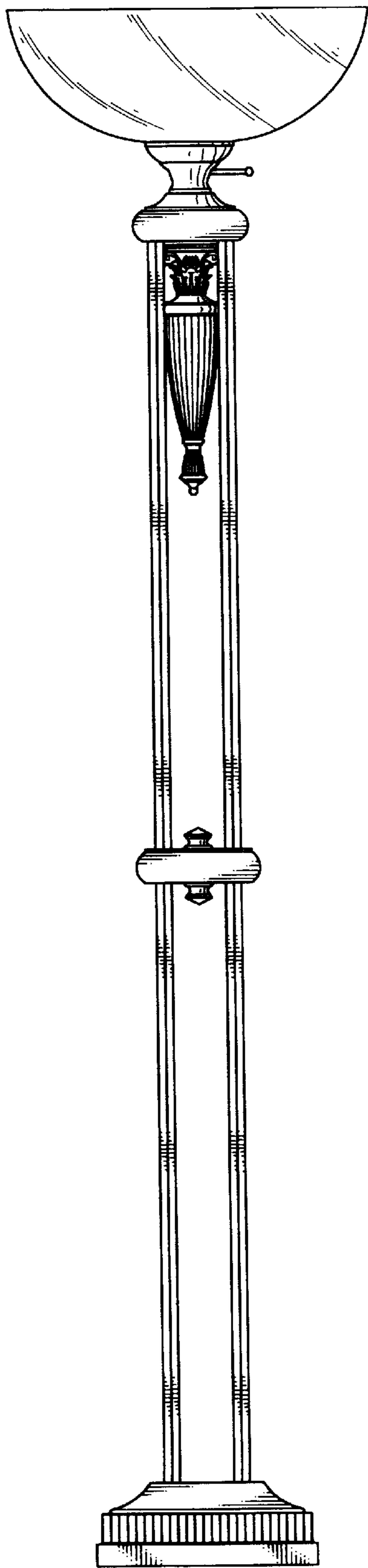


FIG. 2

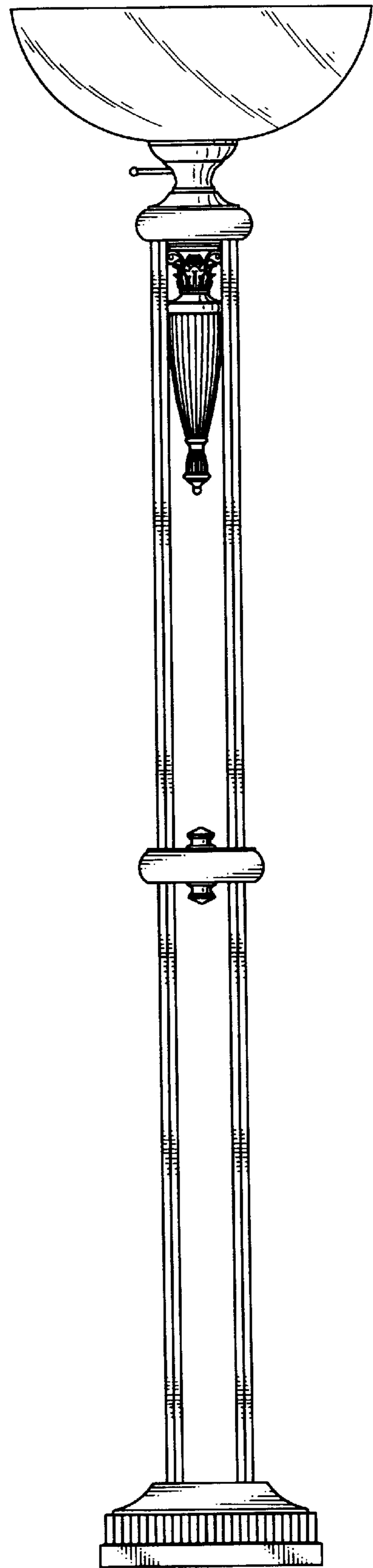


FIG. 3

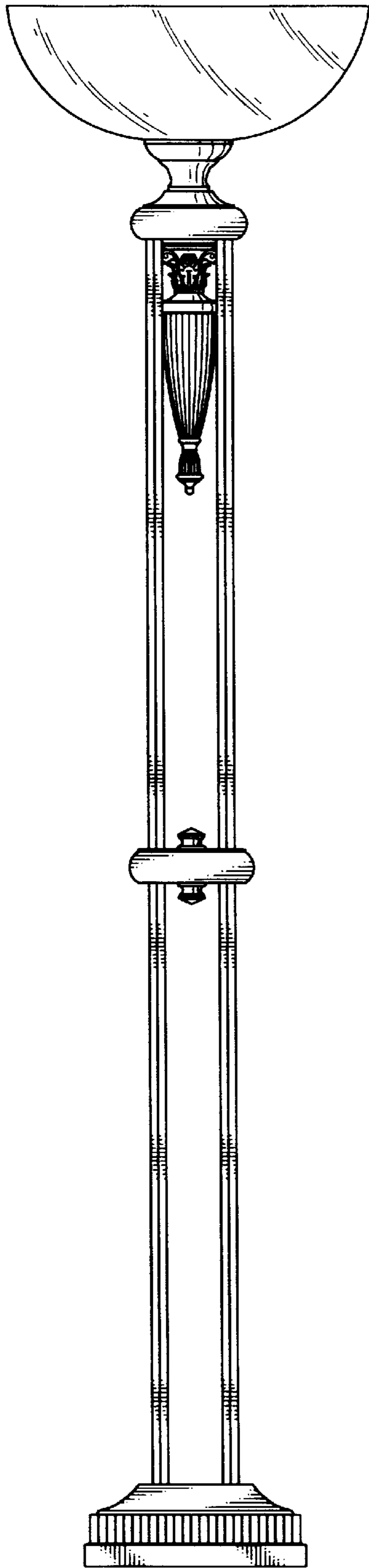


FIG. 4

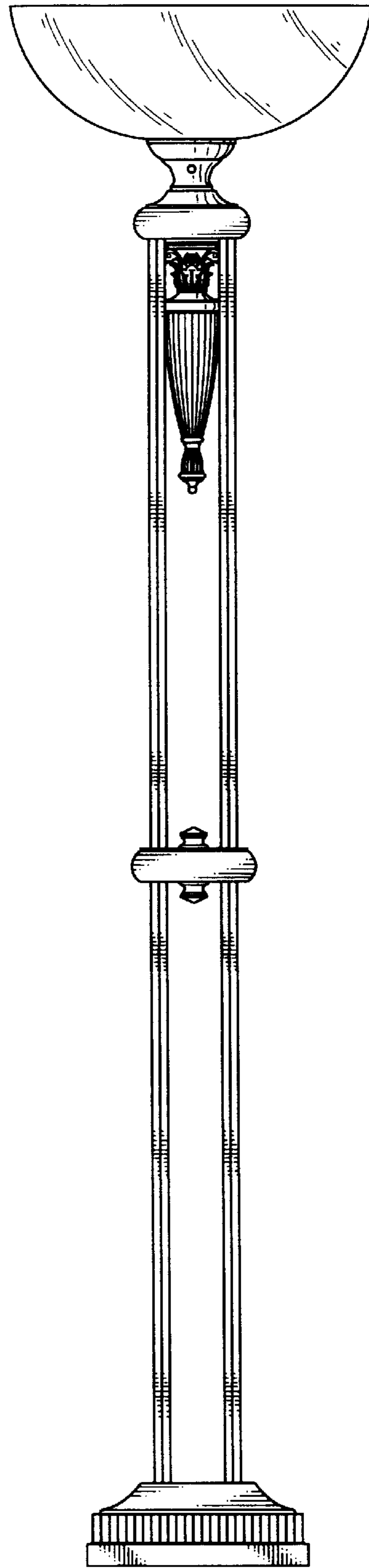


FIG. 5

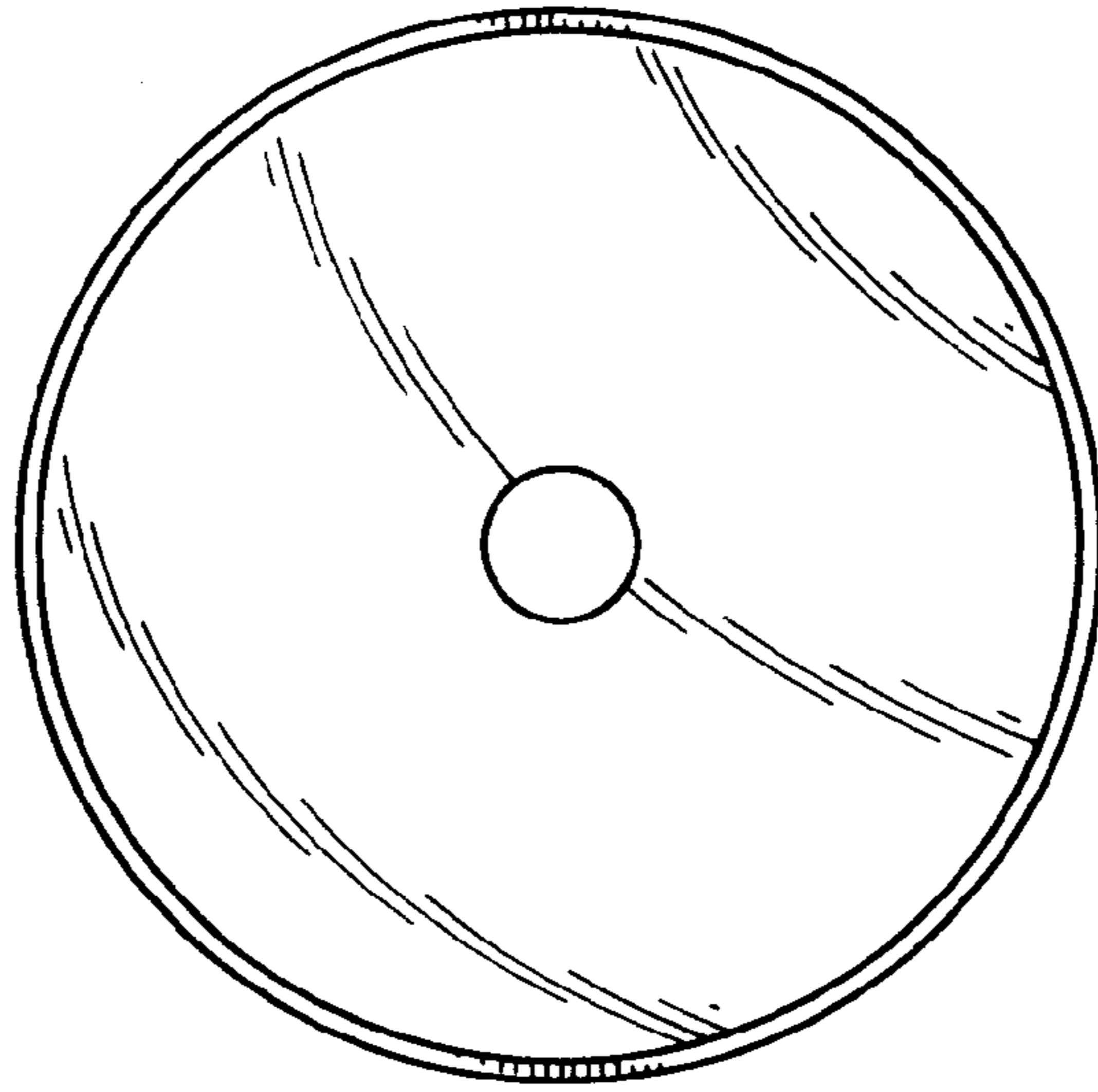


FIG. 6

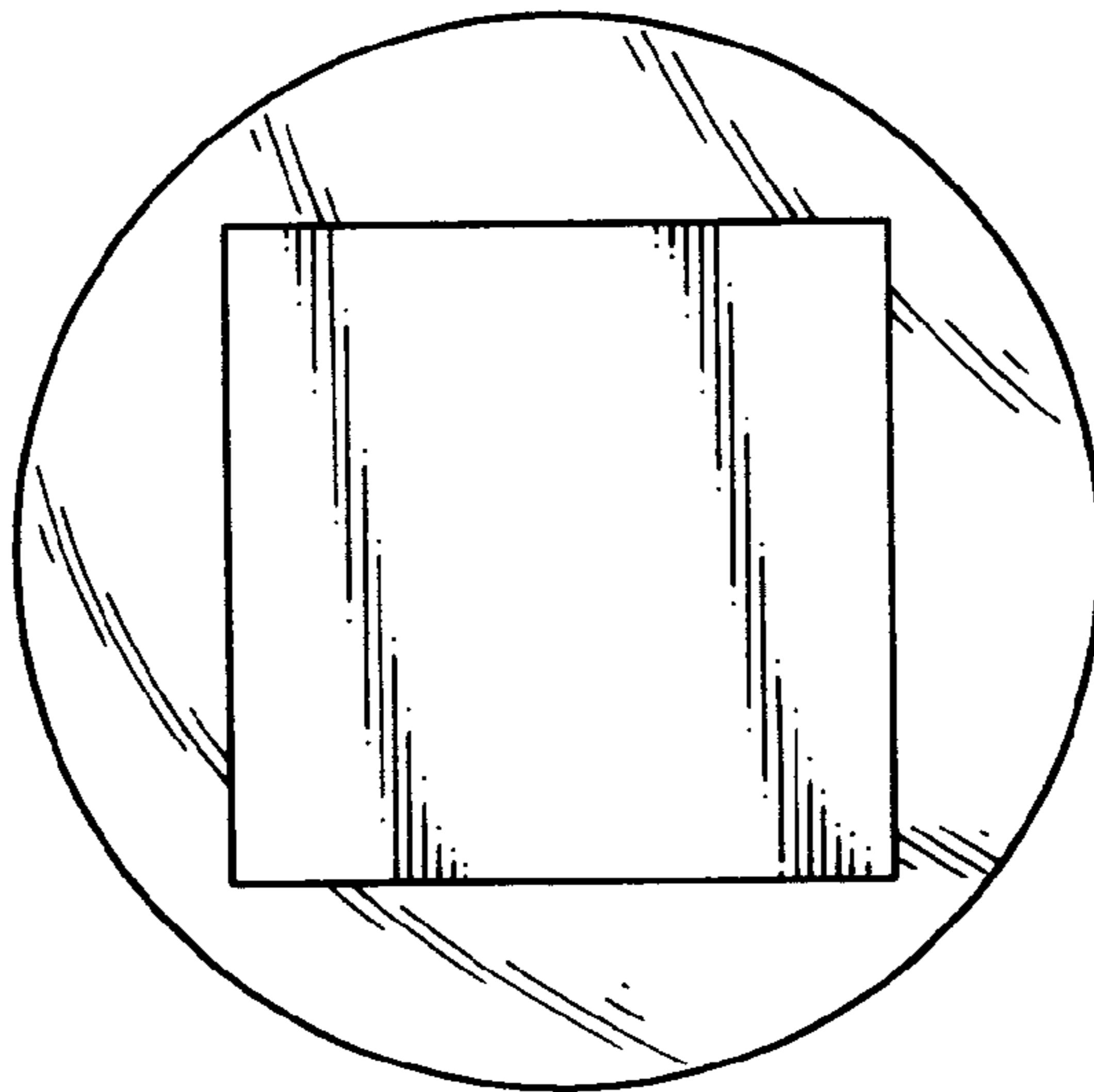


FIG. 7