



US00D433528S

United States Patent [19] Leap

[11] Patent Number: Des. 433,528

[45] Date of Patent: ** Nov. 7, 2000

[54] **MUSICAL INSTRUMENT LAMP**

[76] Inventor: **Daniel D. Leap**, 5525 Noland Rd., Shawnee, Kans. 66216

[**] Term: **14 Years**

[21] Appl. No.: **29/116,698**

[22] Filed: **Jan. 7, 2000**

[51] **LOC (7) Cl.** **26-03**

[52] **U.S. Cl.** **D26/94**

[58] **Field of Search** D26/51, 57, 93, D26/94, 113, 125; D6/450, 399; 362/127, 134, 410-414, 431, 801, 806; 84/726-728; D17/20, 18, 21, 14

[56] **References Cited**

U.S. PATENT DOCUMENTS

D. 248,254	6/1978	Miller	D26/94
D. 400,734	11/1998	Dotson et al.	D6/450
D. 409,646	5/1999	DiPinto	D17/14

OTHER PUBLICATIONS

The Lighter Side, Dancing Elvis Lamp, p. 53, Holiday 1996. Taiwan Lighting, Lamp CF-3, p. 135, Nov. 1997.

Primary Examiner—Alan P. Douglas

Assistant Examiner—Linda Brooks

Attorney, Agent, or Firm—Hovey, Williams, Timmons & Collins

[57] **CLAIM**

The ornamental design for a musical instrument lamp, as shown and described.

DESCRIPTION

FIG. 1 is a front elevational view, the broken lines showing of the shade, light bulb and cord being for illustrative purposes only and forms no part of the claimed design; FIG. 2 is a right side elevational view thereof; FIG. 3 is a rear elevational view thereof; FIG. 4 is a left side elevational view thereof; FIG. 5 is a top plan view thereof; and, FIG. 6 is a bottom view thereof.

1 Claim, 1 Drawing Sheet

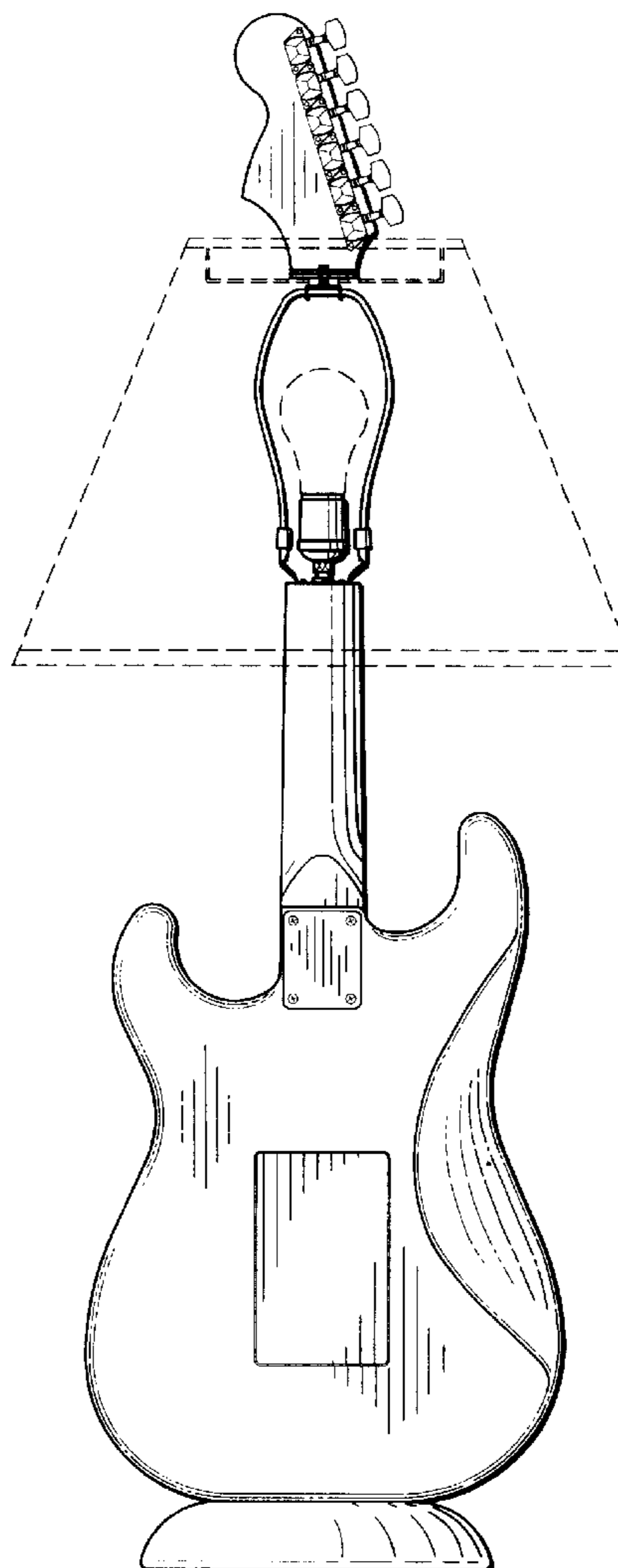
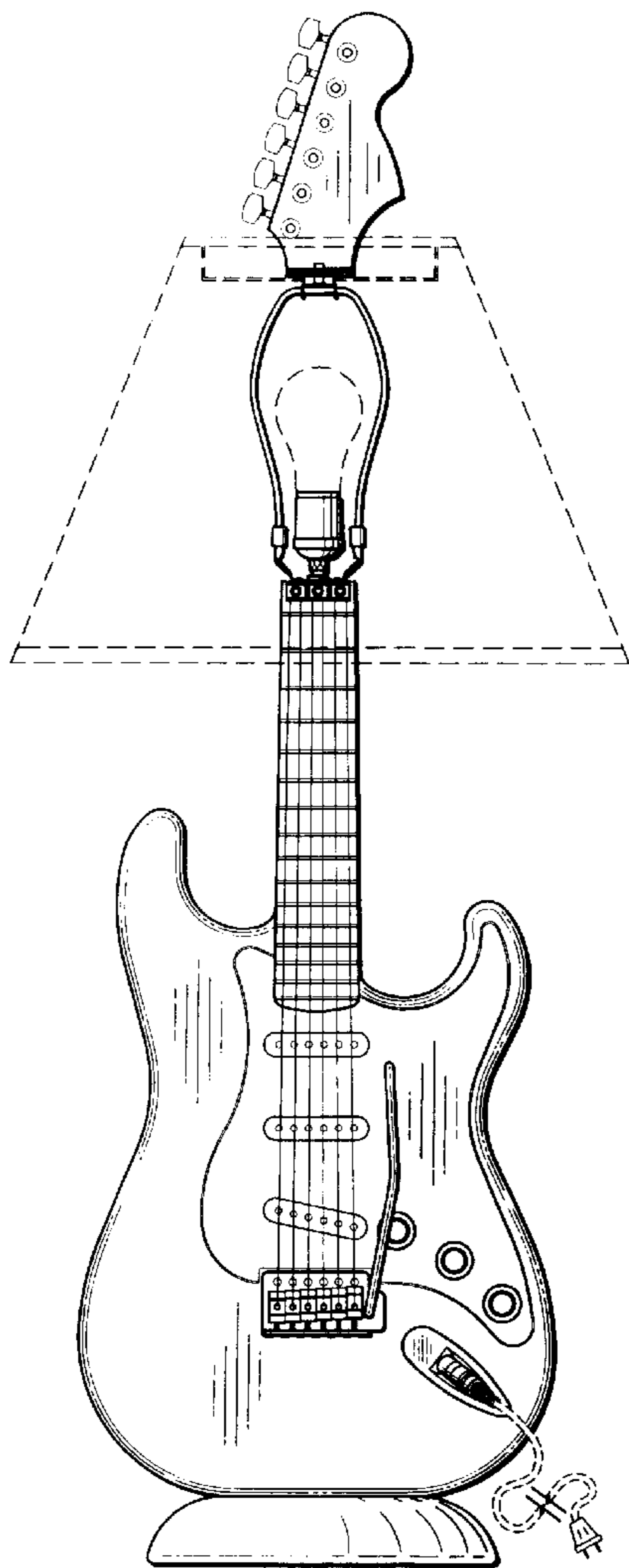


FIG. 1

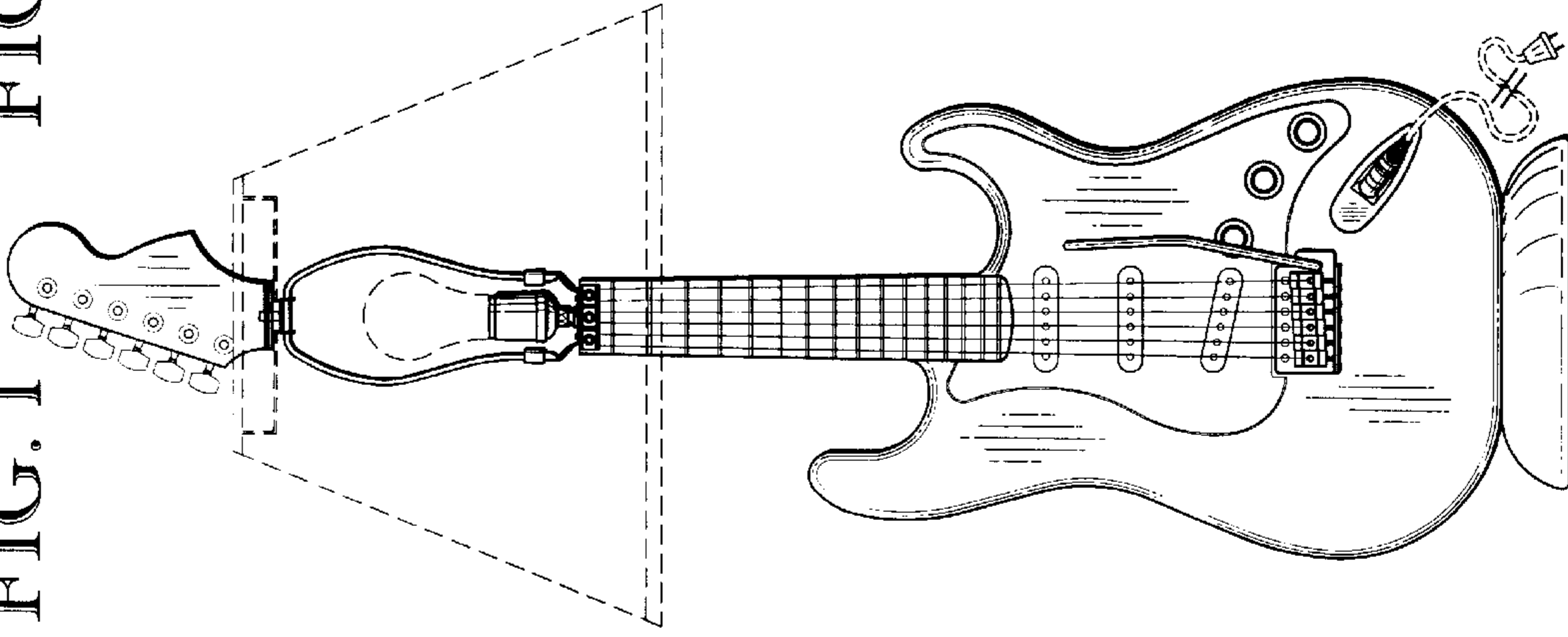


FIG. 2

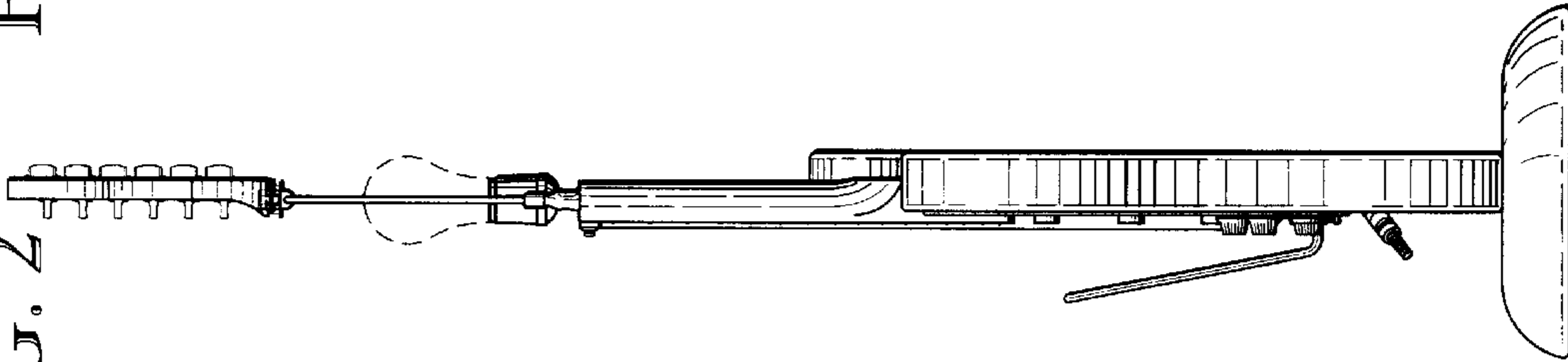


FIG. 3

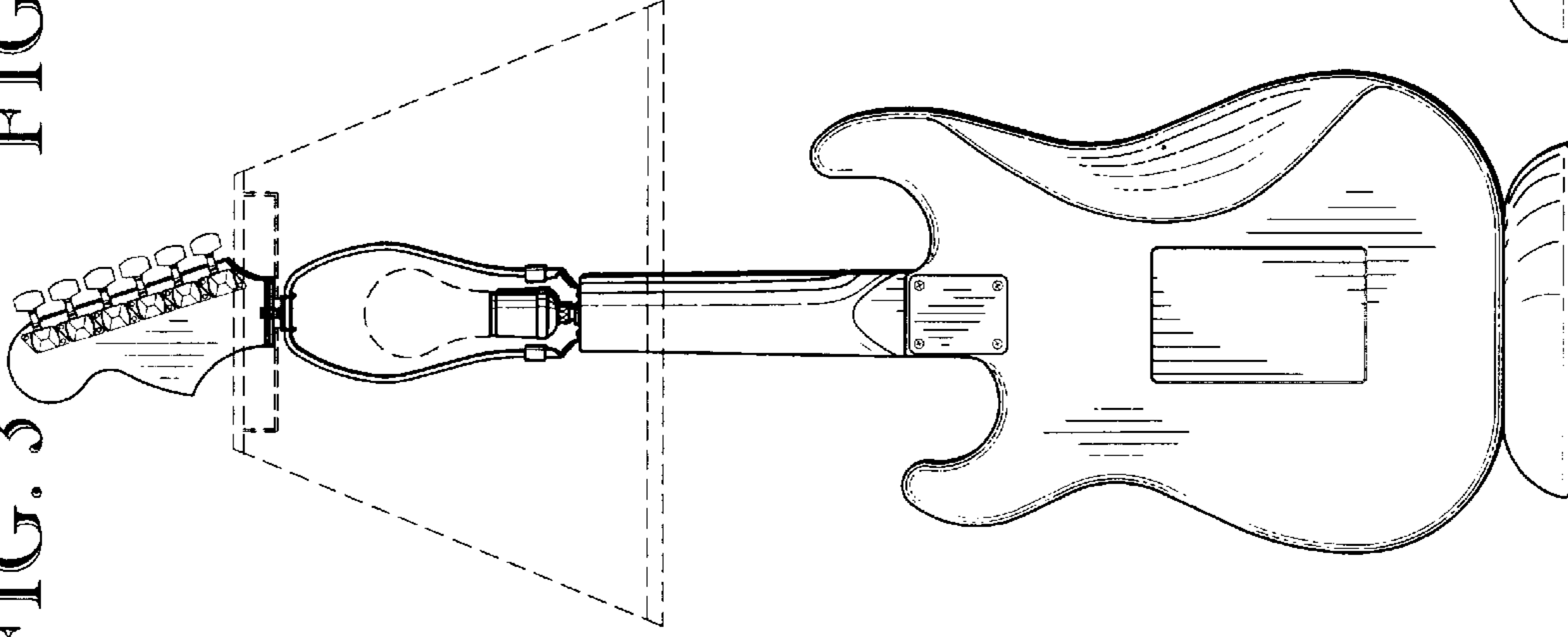


FIG. 4

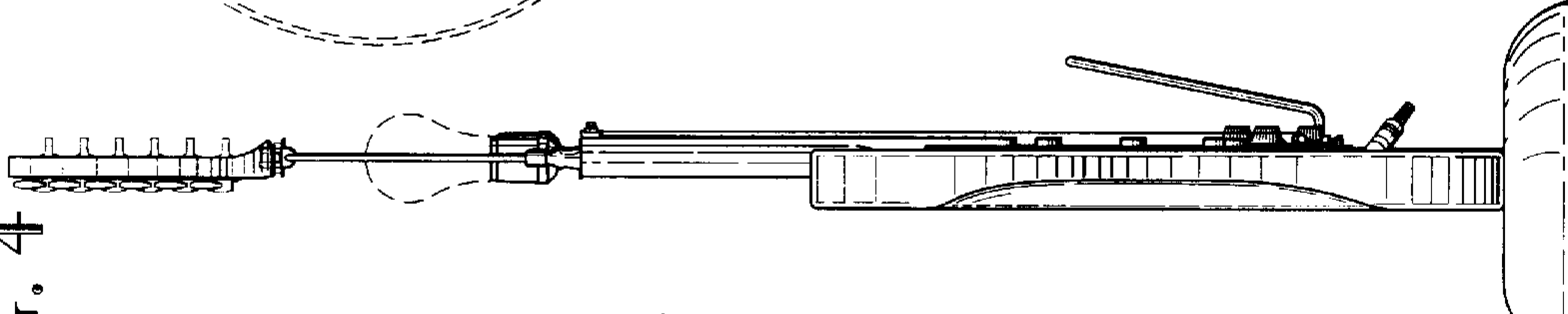


FIG. 5

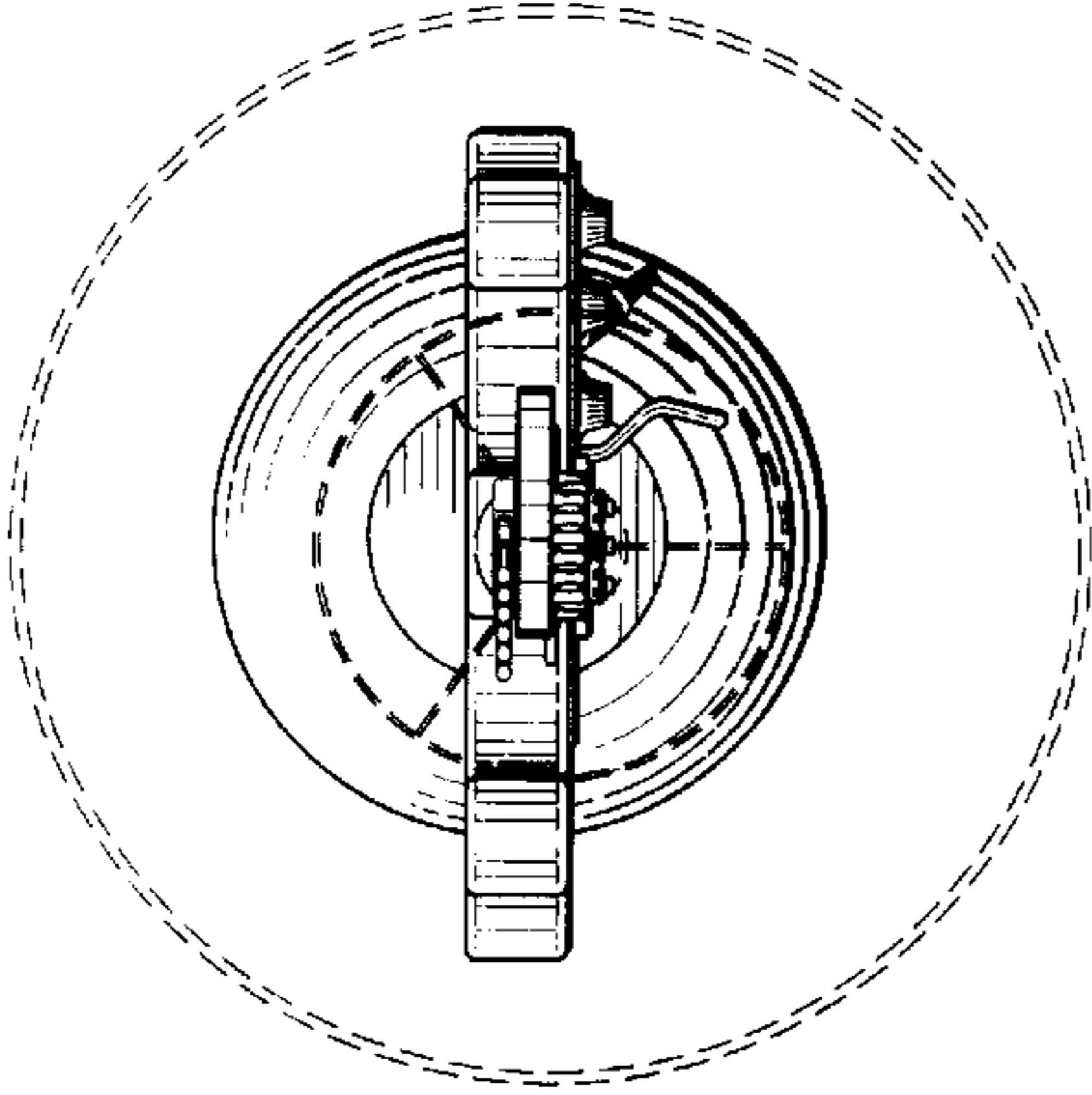


FIG. 6

