



US00D433523S

United States Patent [19] Poon

[11] **Patent Number: Des. 433,523**

[45] **Date of Patent: ** Nov. 7, 2000**

[54] **FLASHLIGHT**

[75] **Inventor: Tit Wing Poon, Shatin, China**

[73] **Assignee: Flying Dragon Development Ltd.,
Shatin, China**

[**] **Term: 14 Years**

[21] **Appl. No.: 29/119,879**

[22] **Filed: Mar. 8, 2000**

[51] **LOC (7) Cl. 26-02**

[52] **U.S. Cl. D26/49**

[58] **Field of Search D26/37-50; 362/157,
362/158, 183-208**

[56] **References Cited**

U.S. PATENT DOCUMENTS

D. 363,564 10/1995 Kish et al. D26/49

D. 407,513 3/1999 Zung D26/49

D. 411,023 6/1999 Yau D26/49

D. 420,157 2/2000 Garrity et al. D26/49

D. 424,226 5/2000 Petterson D26/49

Primary Examiner—Marcus A. Jackson
Attorney, Agent, or Firm—Alix, Yale & Ristas, LLP

[57] **CLAIM**

The ornamental design for a flashlight, as shown and described.

DESCRIPTION

FIG. 1 is a perspective view of the flashlight showing my new design;

FIG. 2 is a bottom plan view of the flashlight of FIG. 1;

FIG. 3 is a top plan view of the flashlight of FIG. 1;

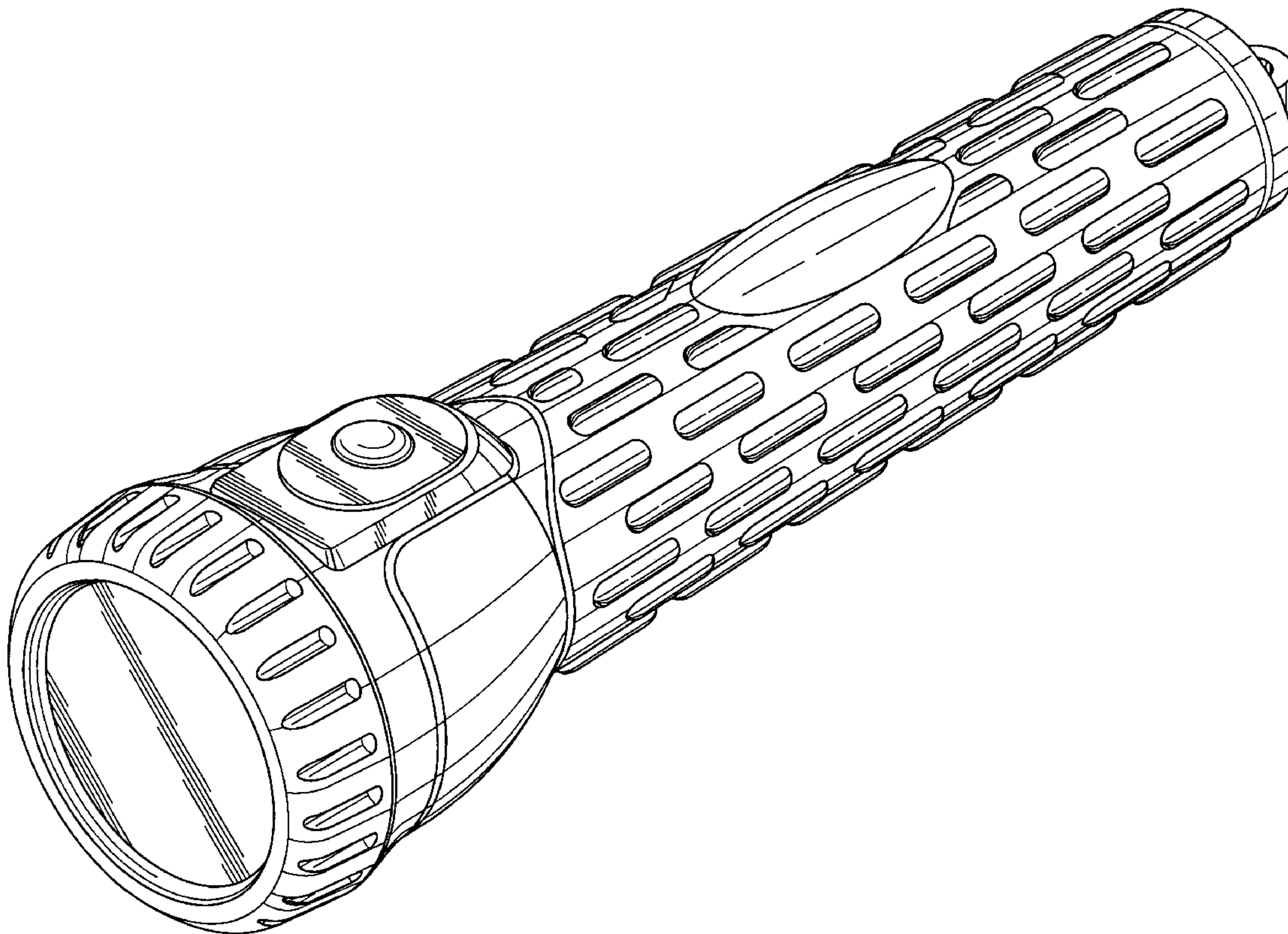
FIG. 4 is a right side view of the flashlight of FIG. 1;

FIG. 5 is a left side view of the flashlight of FIG. 1;

FIG. 6 is a front view of the flashlight of FIG. 1; and,

FIG. 7 is a rear view of the flashlight of FIG. 1.

1 Claim, 4 Drawing Sheets



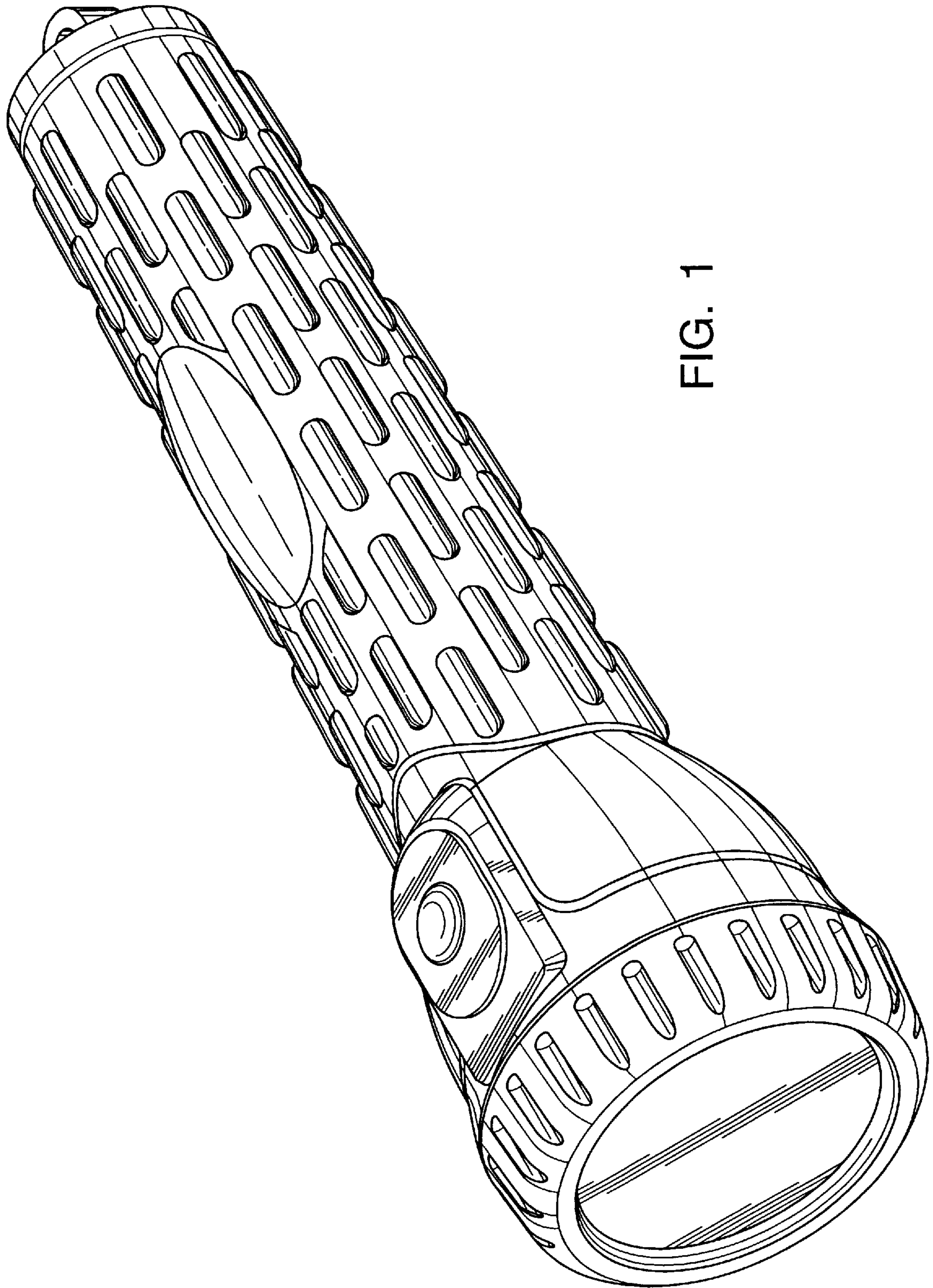


FIG. 1

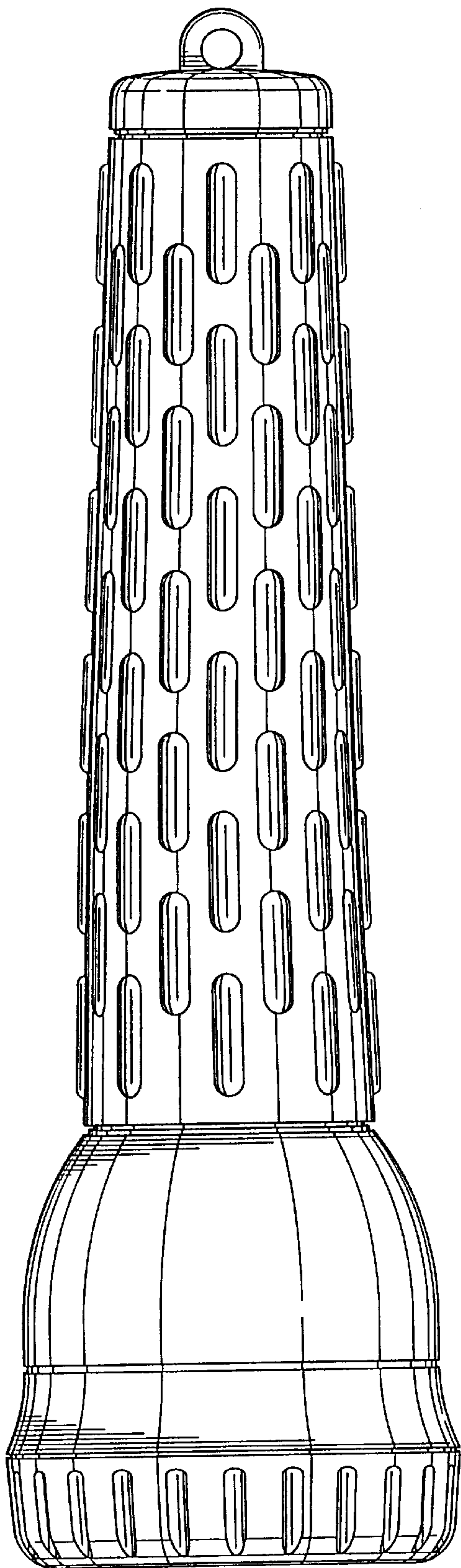


FIG. 2

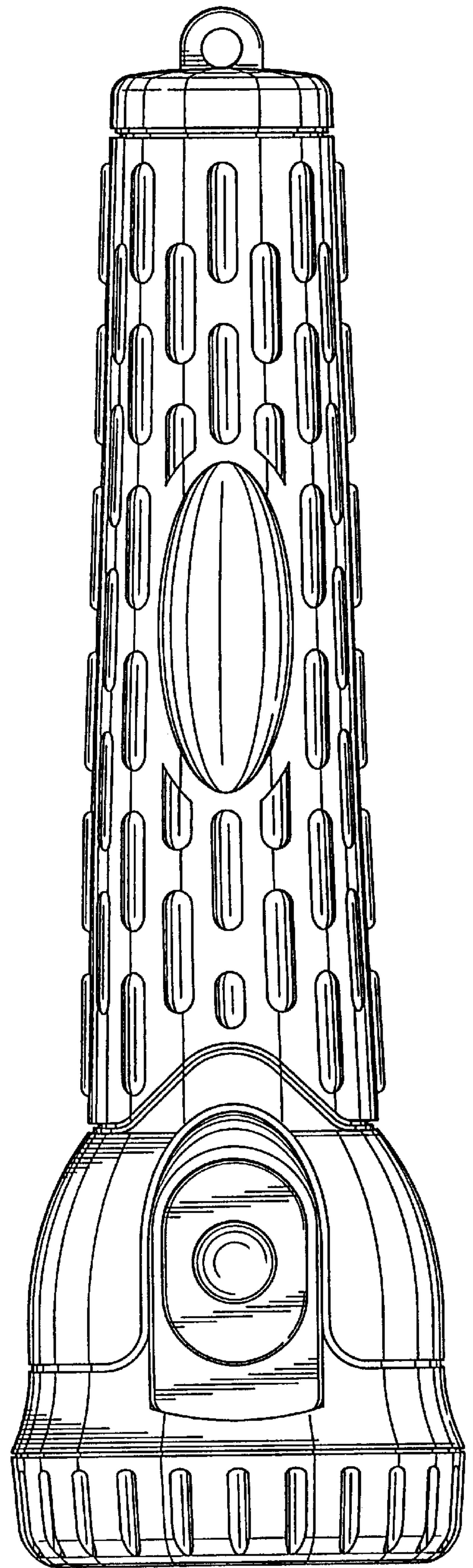
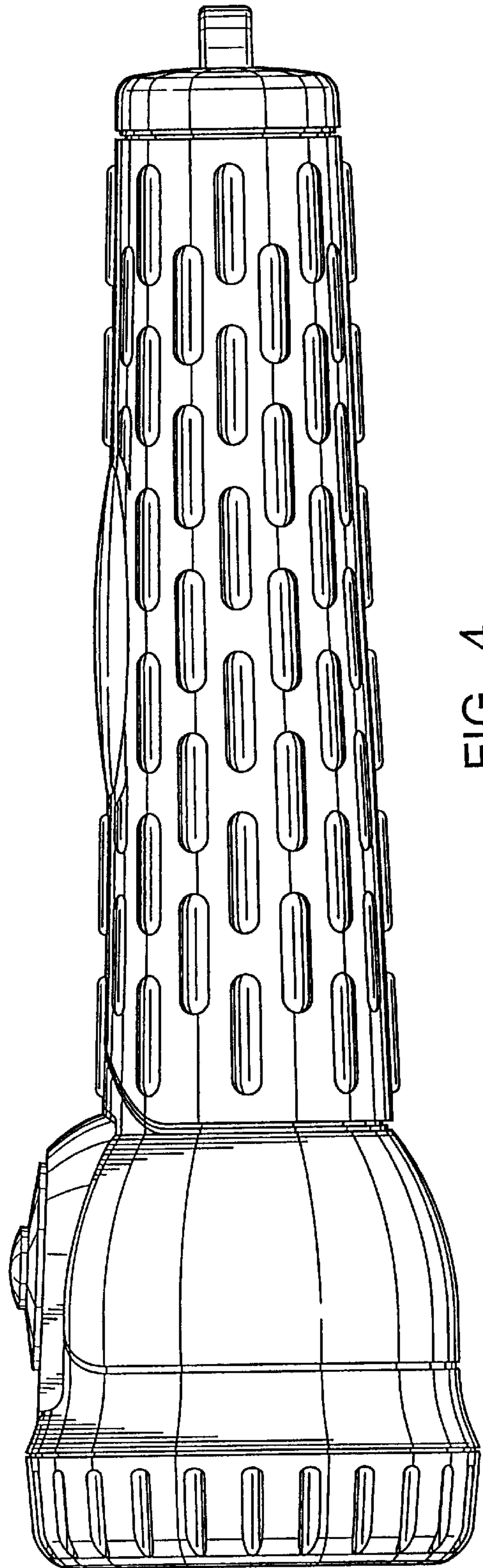
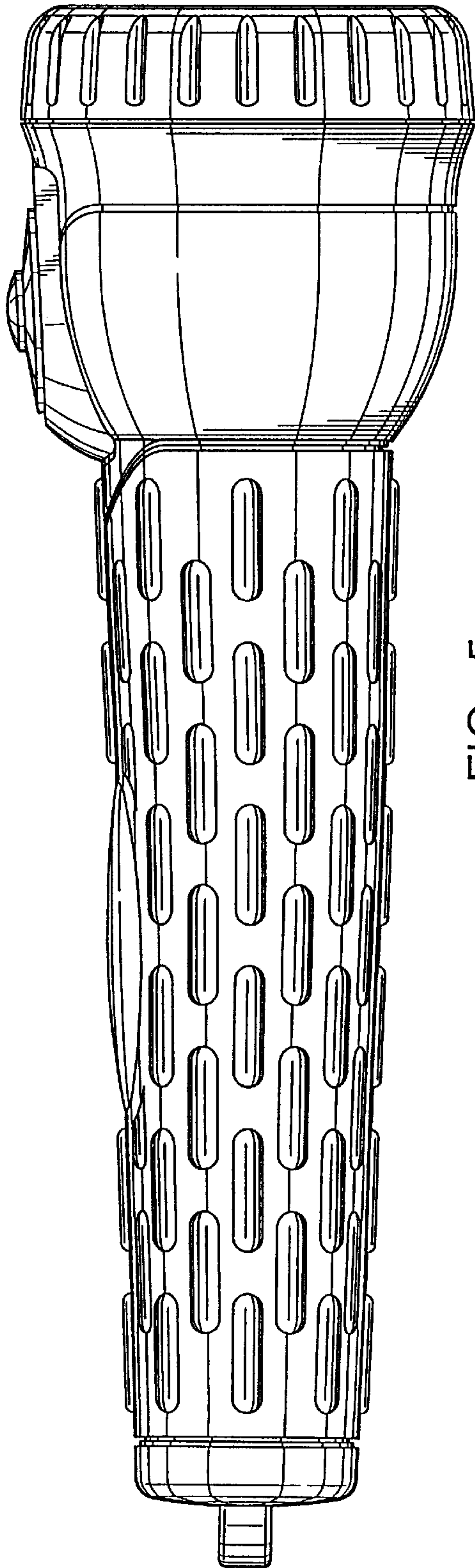


FIG. 3



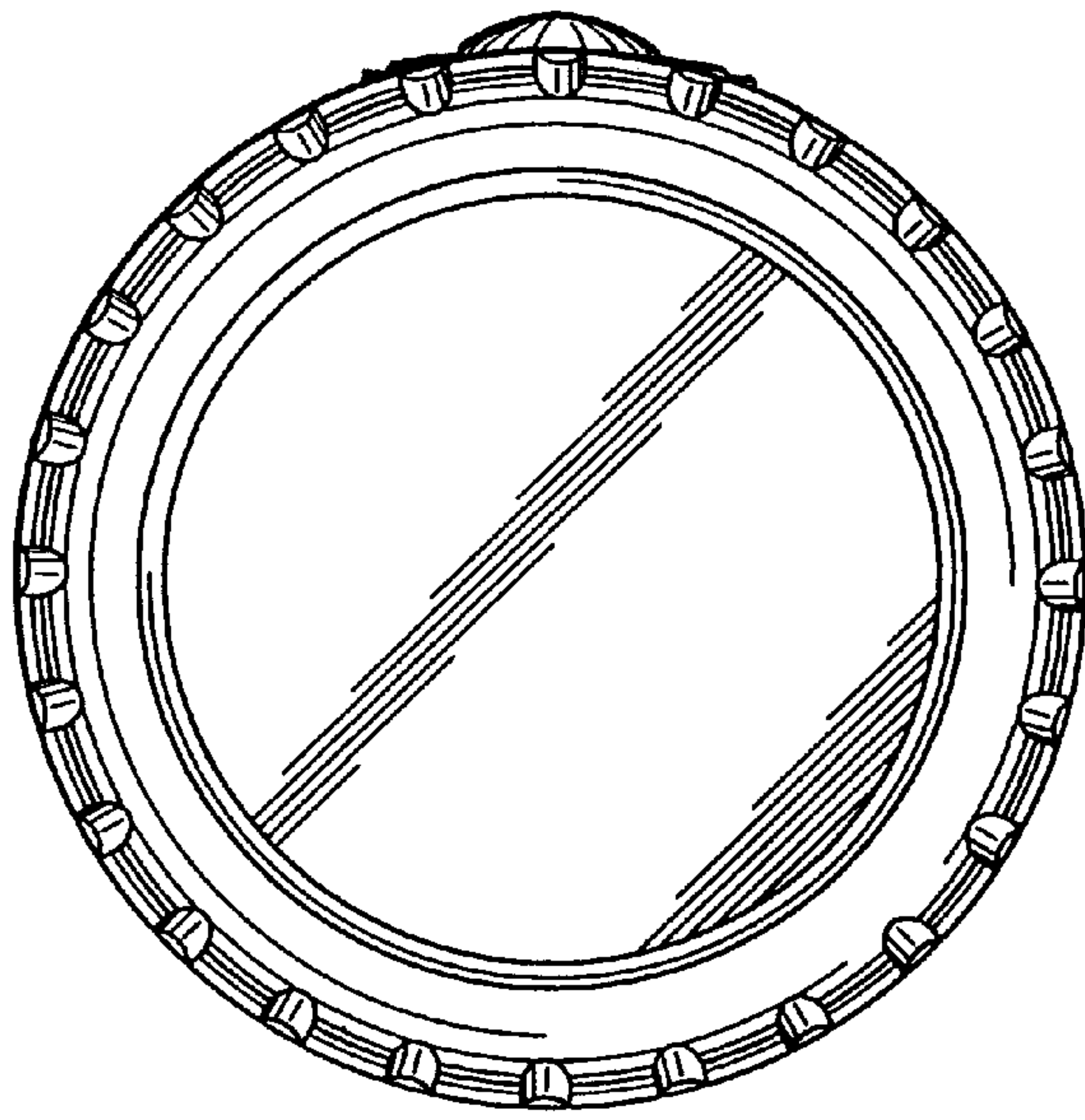


FIG. 6

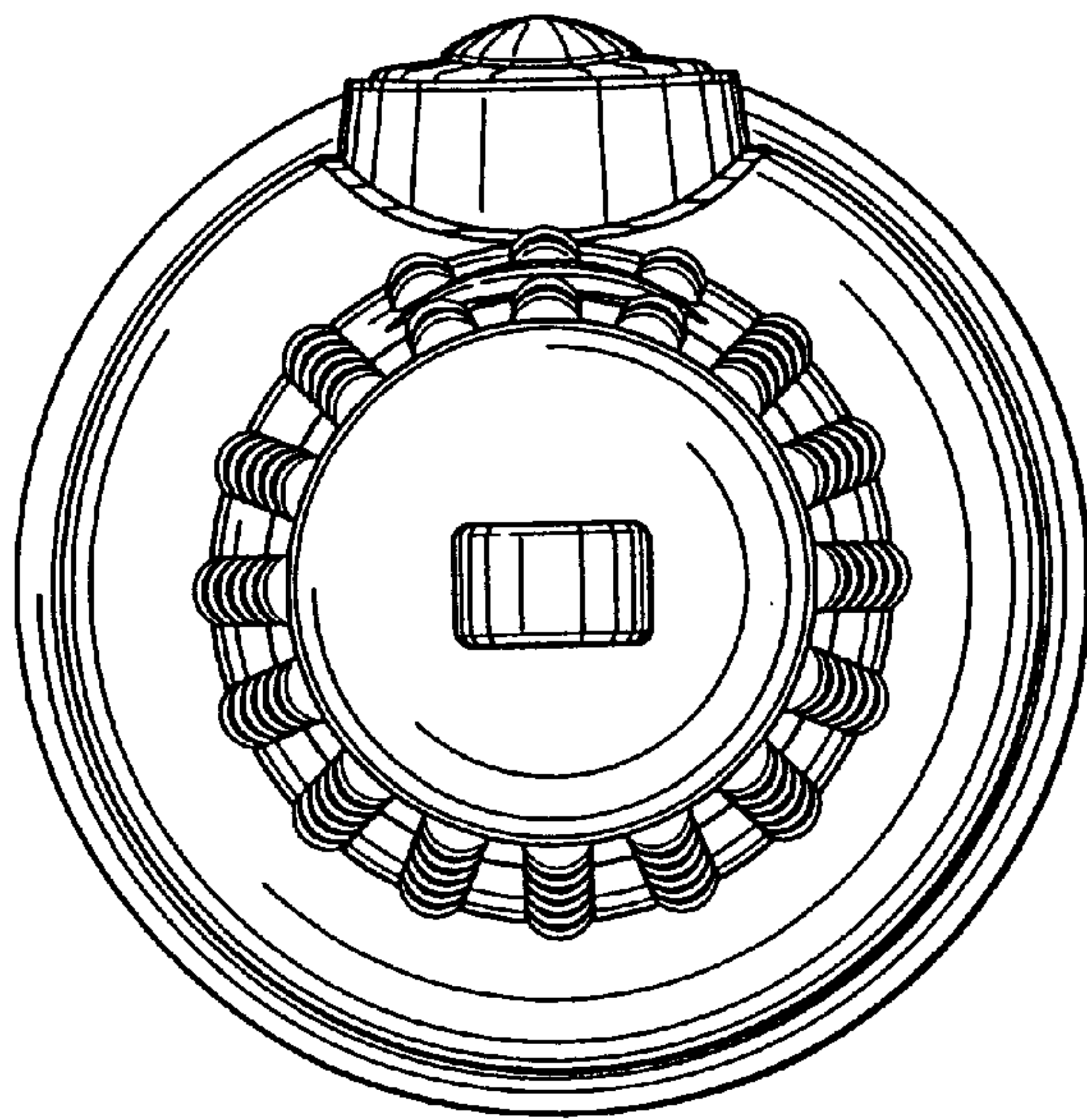


FIG. 7