



US00D433522S

United States Patent [19] Kim

[11] **Patent Number: Des. 433,522**

[45] **Date of Patent: ** Nov. 7, 2000**

[54] **CHEVRON POINTER**

[75] Inventor: **Il Kim**, Costa Mesa, Calif.

[73] Assignee: **Best Lighting Products**, Santa Ana, Calif.

[**] Term: **14 Years**

[21] Appl. No.: **29/102,639**

[22] Filed: **Mar. 29, 1999**

[51] **LOC (7) Cl.** **26-02**

[52] **U.S. Cl.** **D26/38**

[58] **Field of Search** D26/37-50; 362/157, 362/158, 183-208

[56] **References Cited**

U.S. PATENT DOCUMENTS

- D. 395,220 6/1998 Galli D26/37
- D. 403,450 12/1998 Ting D26/37

- D. 403,451 12/1998 Ting D26/37
- D. 419,704 1/2000 Ting D26/37
- D. 421,658 3/2000 Ting D26/38

Primary Examiner—Marcus A. Jackson
Attorney, Agent, or Firm—Price and Gess

[57] **CLAIM**

The ornamental design for the chevron pointer, as shown and described.

DESCRIPTION

FIG. 1 is a perspective view from the front side of the chevron pointer;
FIG. 2 is a top plan view of the chevron pointer;
FIG. 3 is a front elevational view of the chevron pointer;
FIG. 4 is a left side elevational view of the chevron pointer;
FIG. 5 is a right side elevational view of the chevron pointer;
FIG. 6 is a rear elevational view of the chevron pointer; and,
FIG. 7 is a bottom plan view of the chevron pointer.

1 Claim, 1 Drawing Sheet

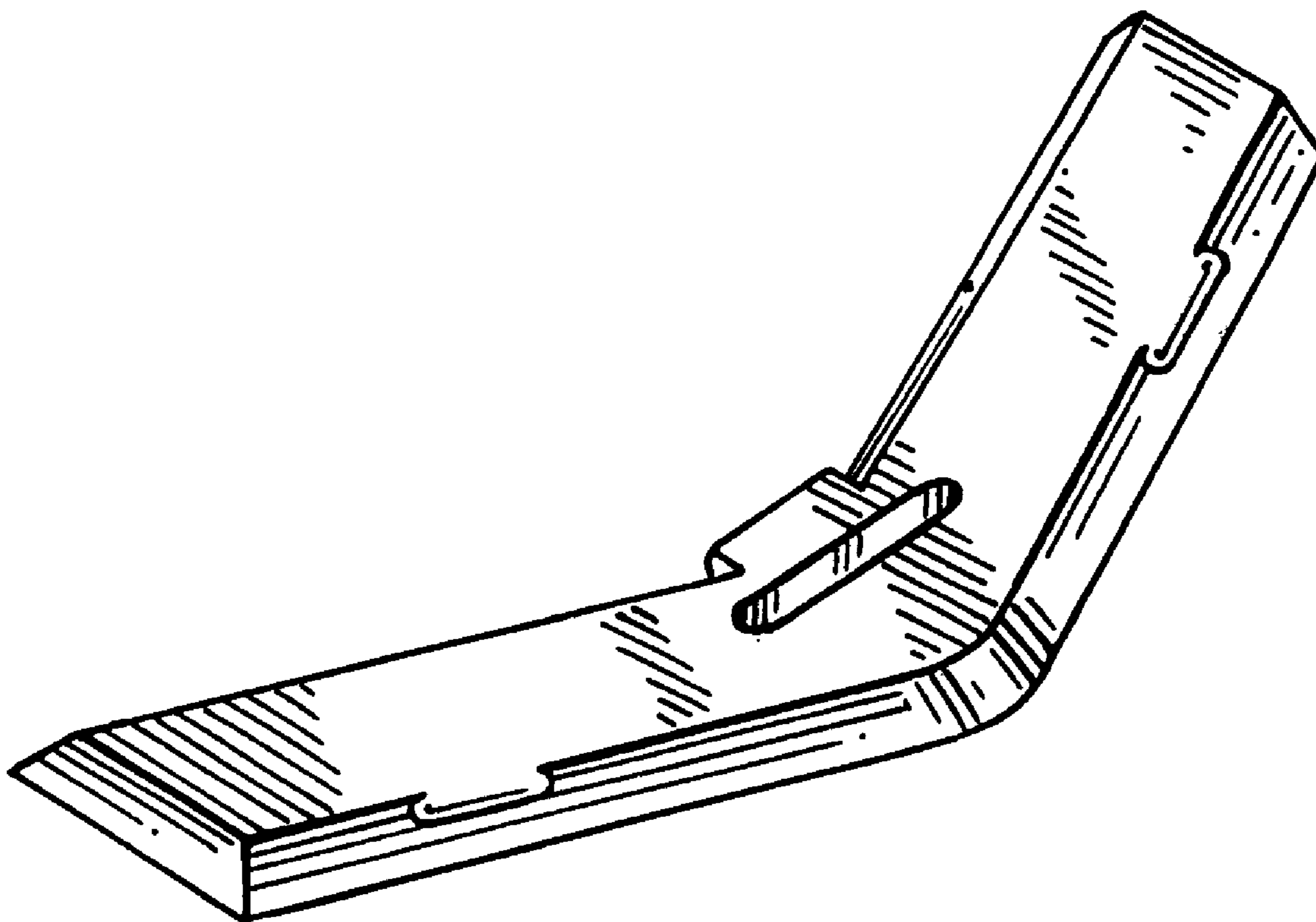


FIG. 1

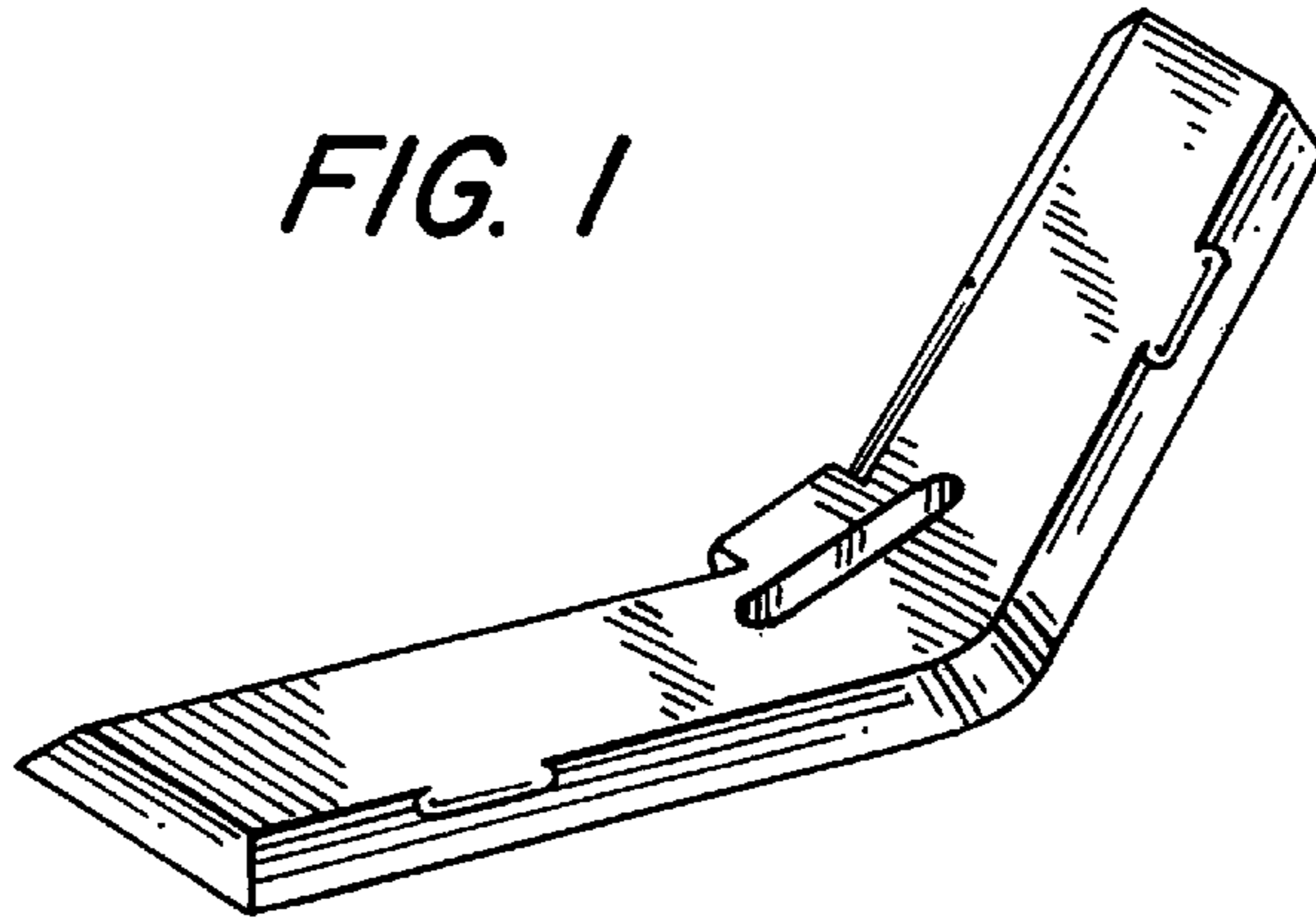


FIG. 2

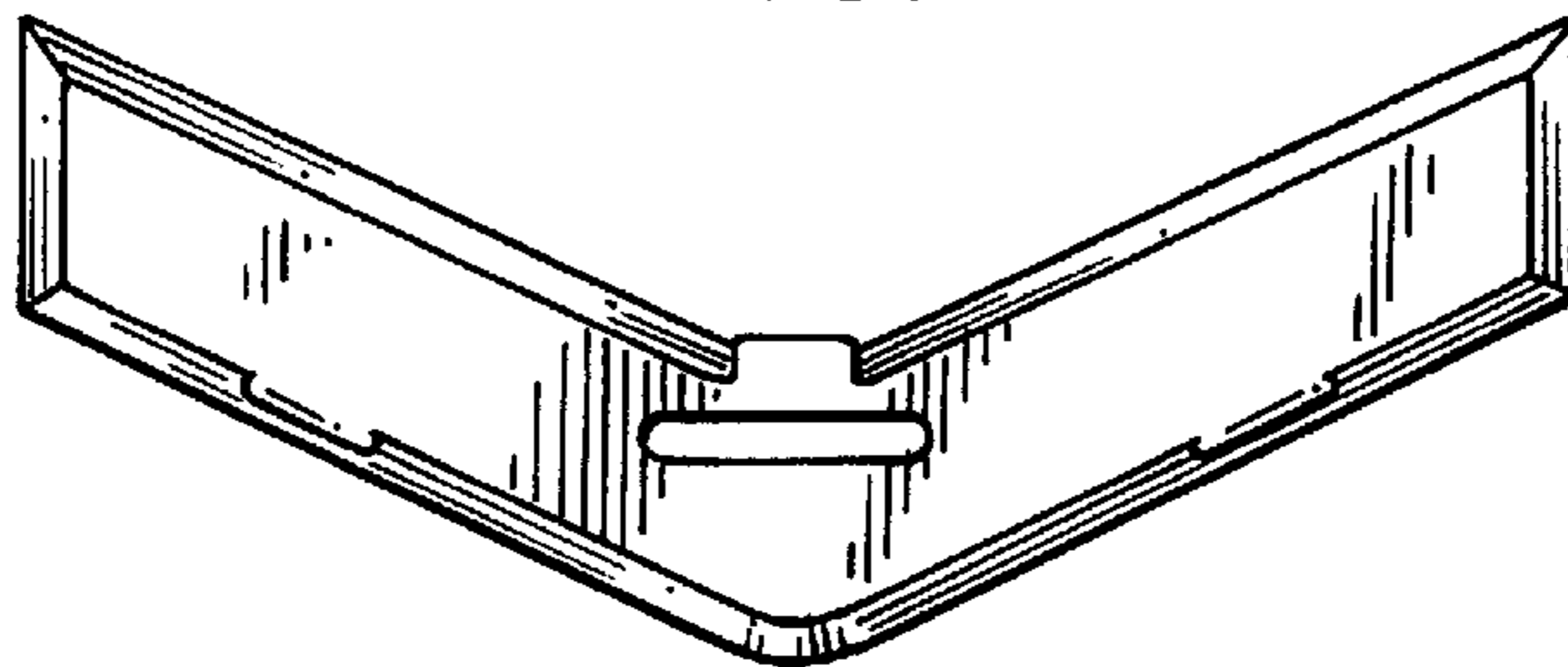


FIG. 4



FIG. 3



FIG. 5



FIG. 6



FIG. 7

