



US00D433508S

United States Patent [19]
Crowther et al.

[11] **Patent Number: Des. 433,508**

[45] **Date of Patent: ** Nov. 7, 2000**

[54] **MESSAGE BENCH**

[76] Inventors: **Edward William Crowther**, 8 Good Lane, Newport, Lincoln, LN1 3EH, United Kingdom; **Peter Robert Loader**, Flat 2, 9 Minster Yard, Lincoln LN2 1PJ, United Kingdom

[**] Term: **14 Years**

[21] Appl. No.: **29/115,112**

[22] Filed: **Dec. 8, 1999**

[51] **LOC (7) Cl.** **24-01**

[52] **U.S. Cl.** **D24/183**

[58] **Field of Search** D24/183; 312/209; 5/600, 611, 617, 618, 621, 622; D6/382; 606/242, 243, 245

[56] **References Cited**

U.S. PATENT DOCUMENTS

D. 232,588	8/1974	Radford	D24/183
D. 249,360	9/1978	Lacock	D24/183
D. 266,023	8/1982	McLachlan	D24/183
D. 304,614	11/1989	Guttormsen	D24/183
D. 418,689	1/2000	Royston et al.	D6/382
3,747,916	7/1973	Benson	5/600
3,821,952	7/1974	Binegar	606/242
4,856,497	8/1989	Westphal	606/242

4,960,111	10/1990	Steffensmeier	606/245
4,973,034	11/1990	Michele	5/617
5,074,286	12/1991	Gillaspie et al.	601/148

FOREIGN PATENT DOCUMENTS

2074439	5/1998	United Kingdom	.
2081854	3/1999	United Kingdom	.

Primary Examiner—Stella Reid
Attorney, Agent, or Firm—Kennedy, Davis & Hodge LLP

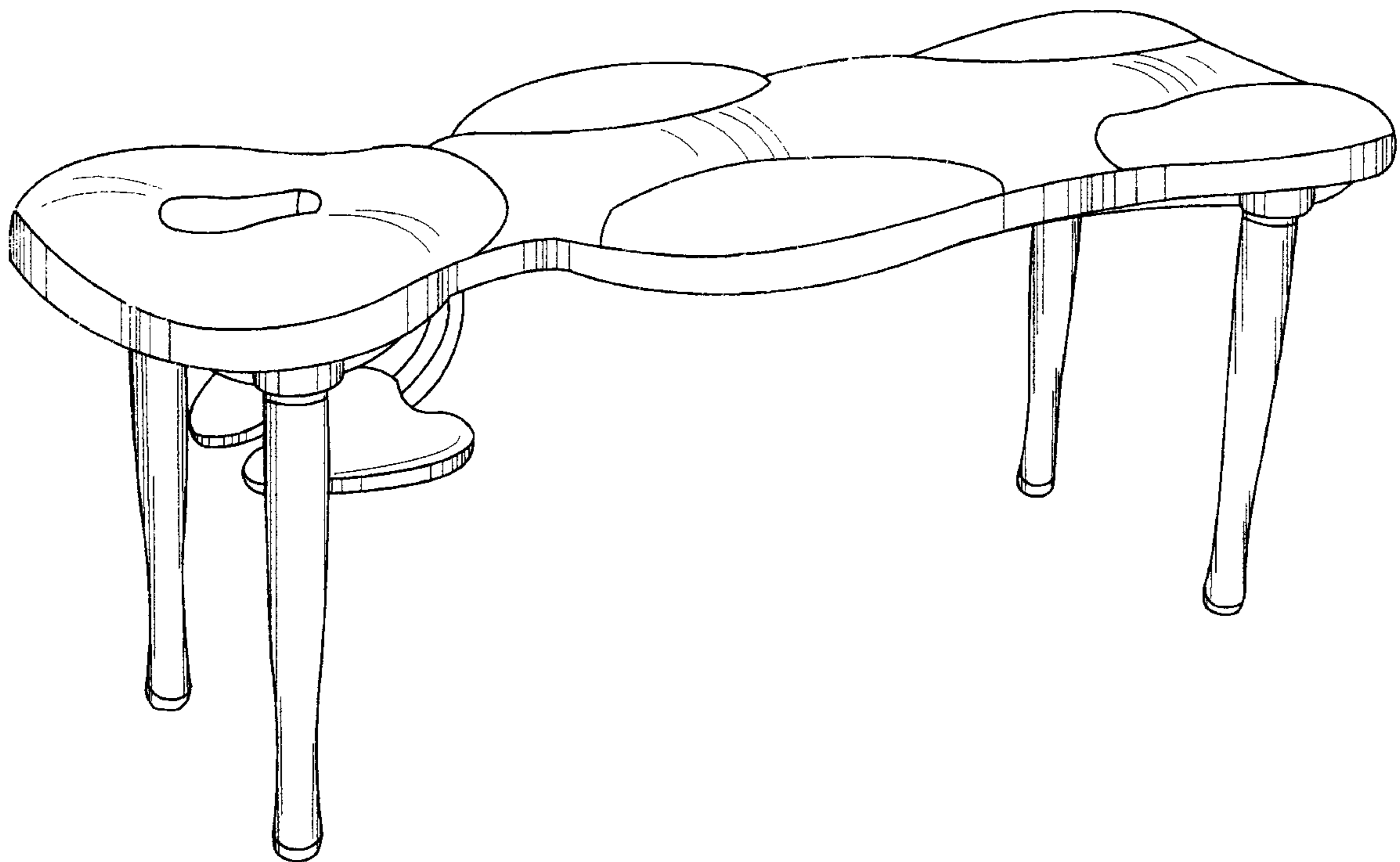
[57] **CLAIM**

The ornamental design for a massage bench, as shown and described.

DESCRIPTION

FIG. 1 is a enlarged fragmentary left side perspective view of a massage bench, of our new design, showing the hand and arm support portion;
FIG. 2 is another perspective view thereof, showing the foot end portion of the massage bench;
FIG. 3 is an end elevational view of the head portion;
FIG. 4 is an end elevational view of the foot portion;
FIG. 5 is a side elevational view;
FIG. 6 is a top perspective view;
FIG. 7 is a top plan view; and,
FIG. 8 is a bottom plan view.

1 Claim, 8 Drawing Sheets



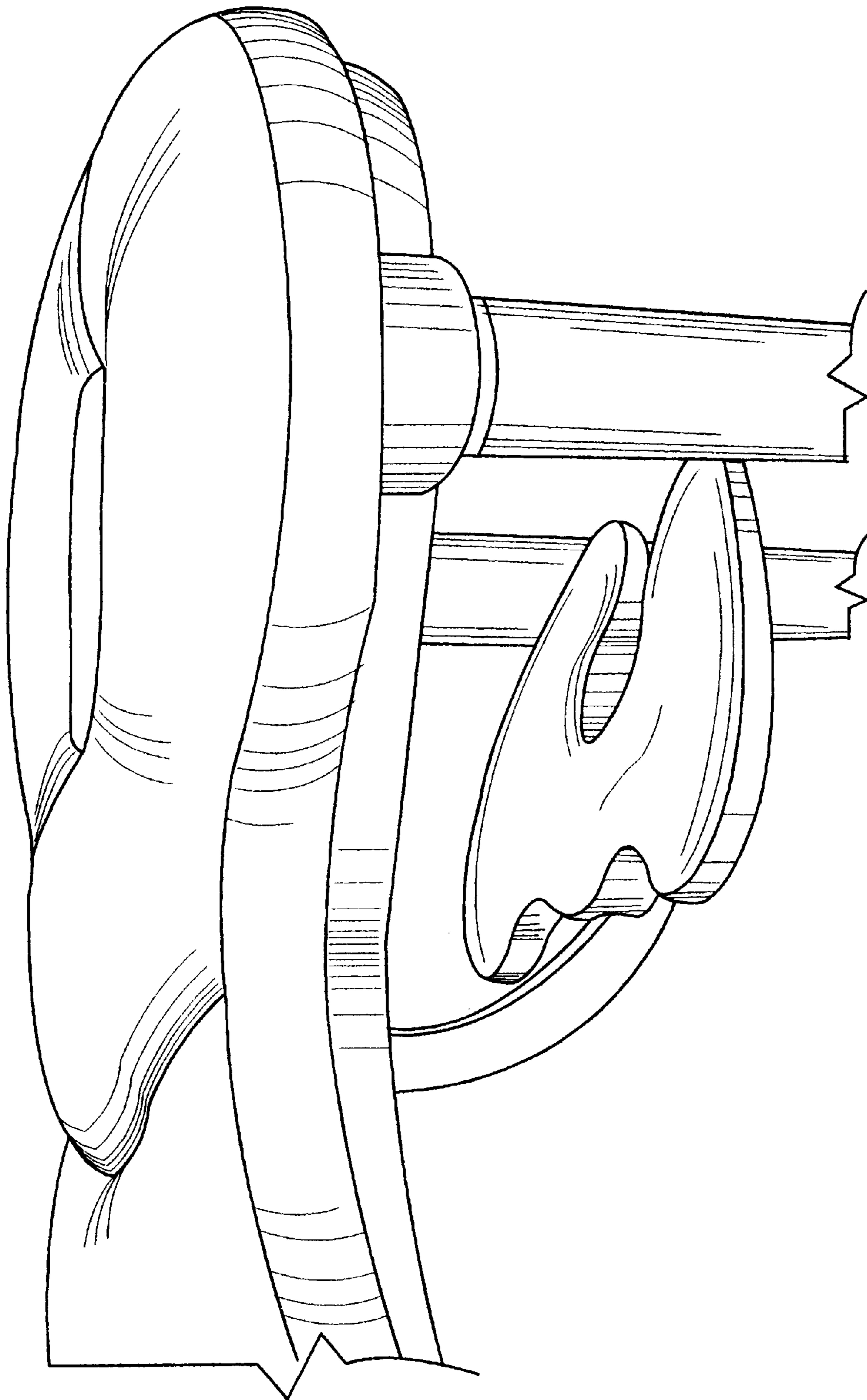


Fig. 1

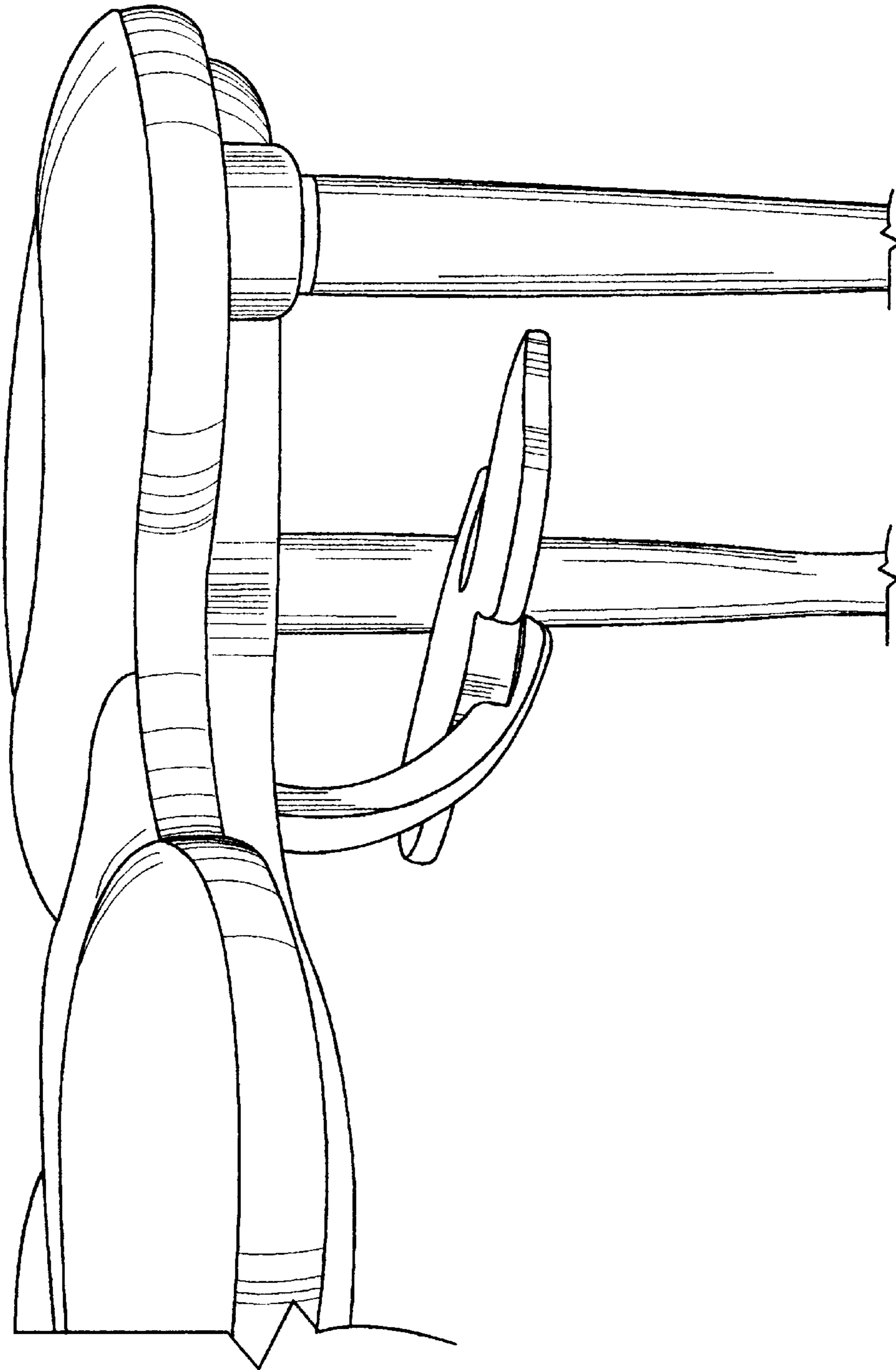


Fig. 2

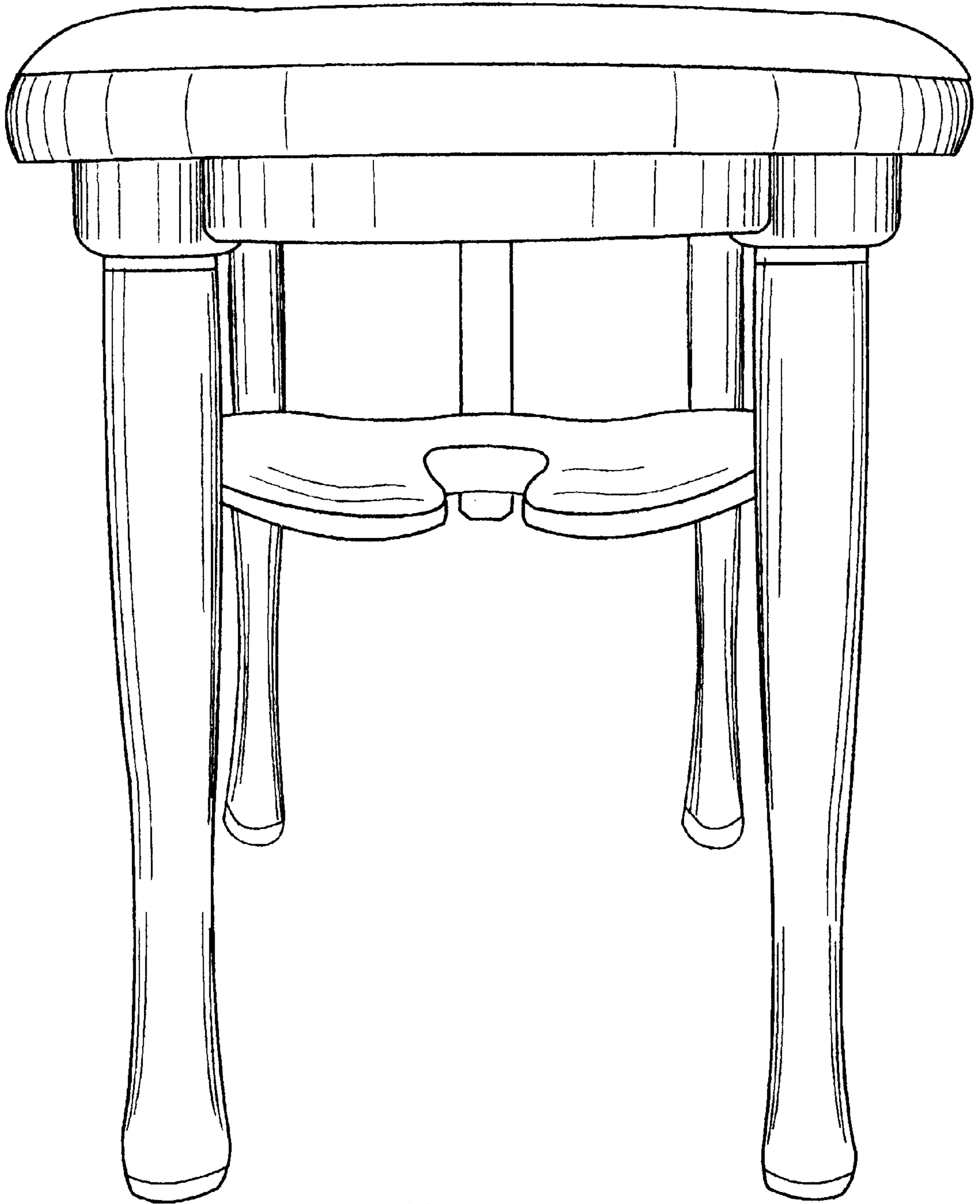


Fig. 3

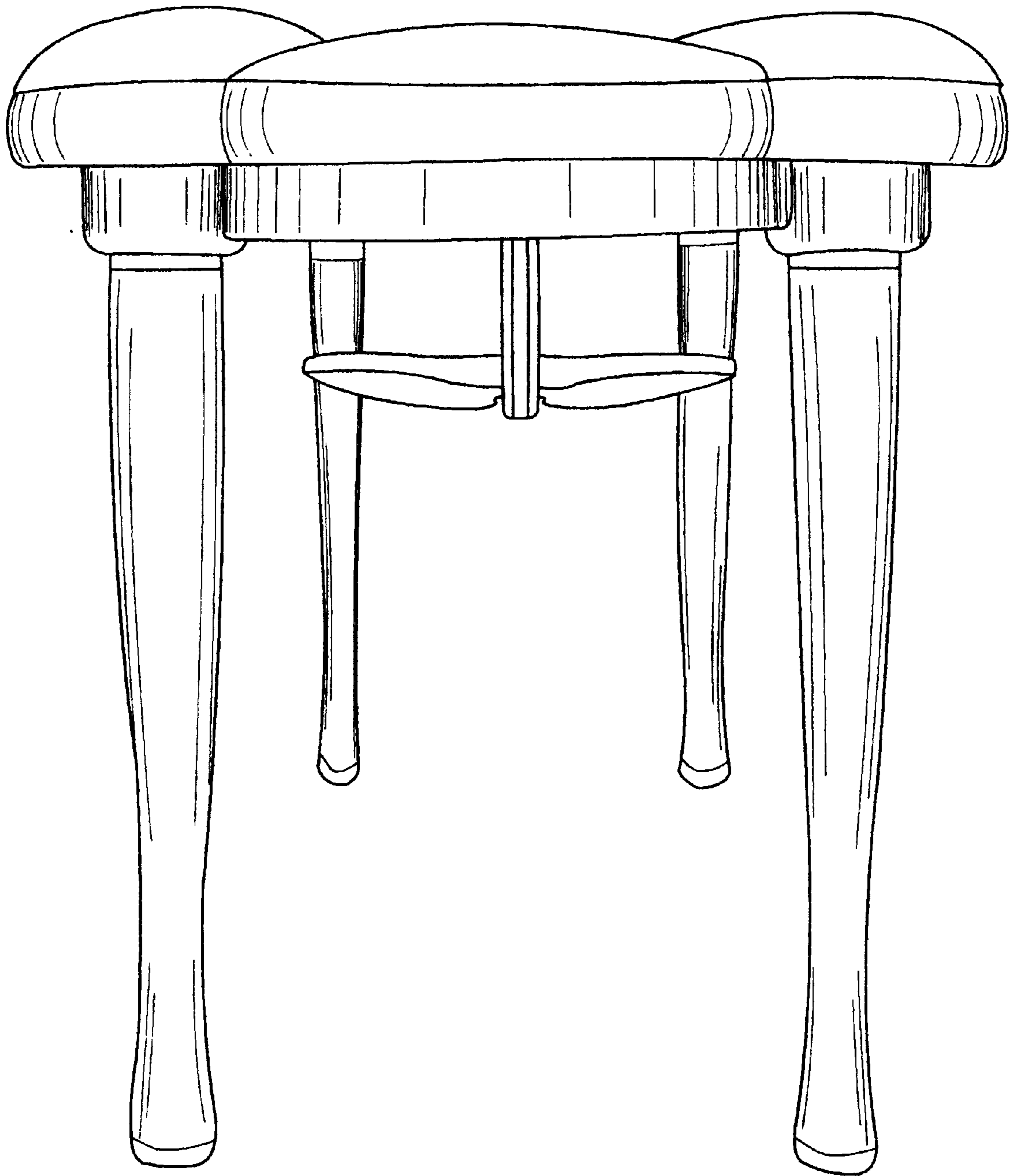


Fig. 4

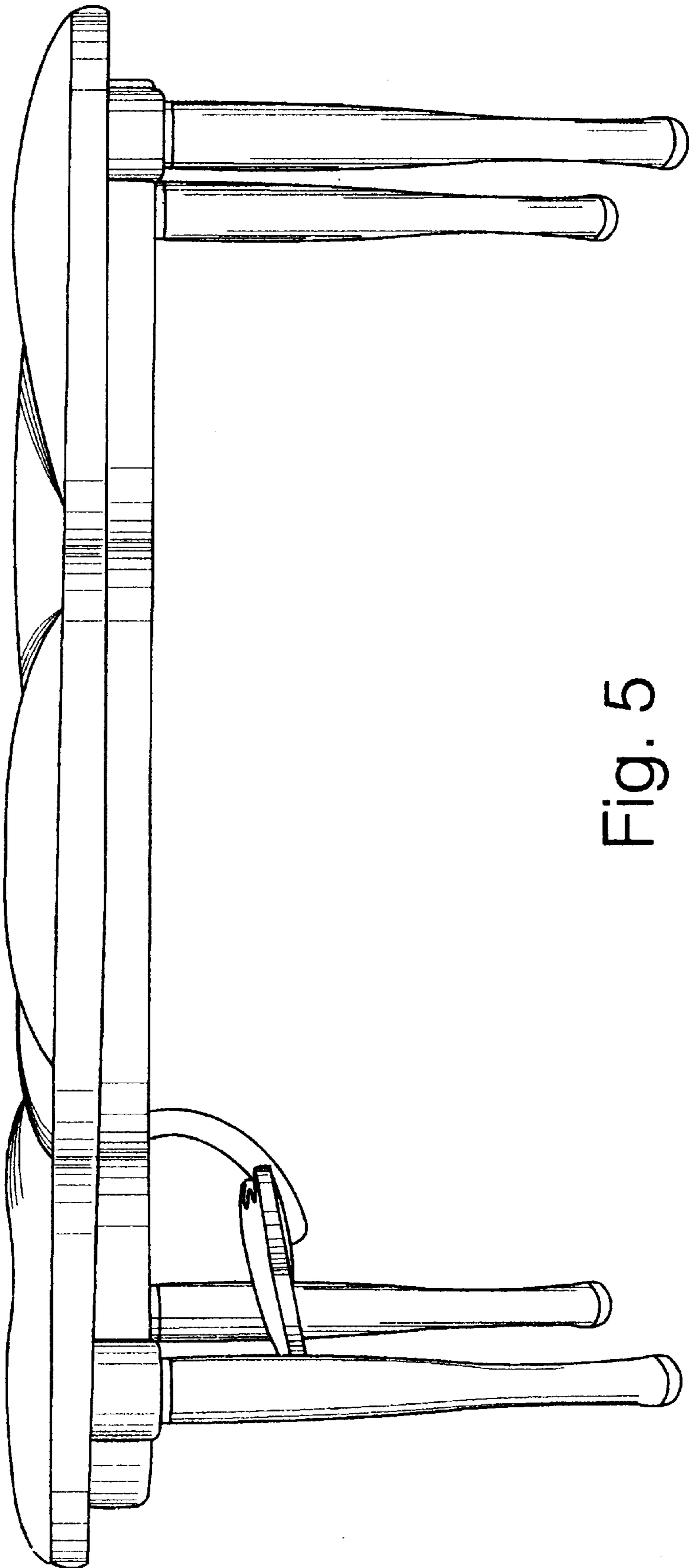


Fig. 5

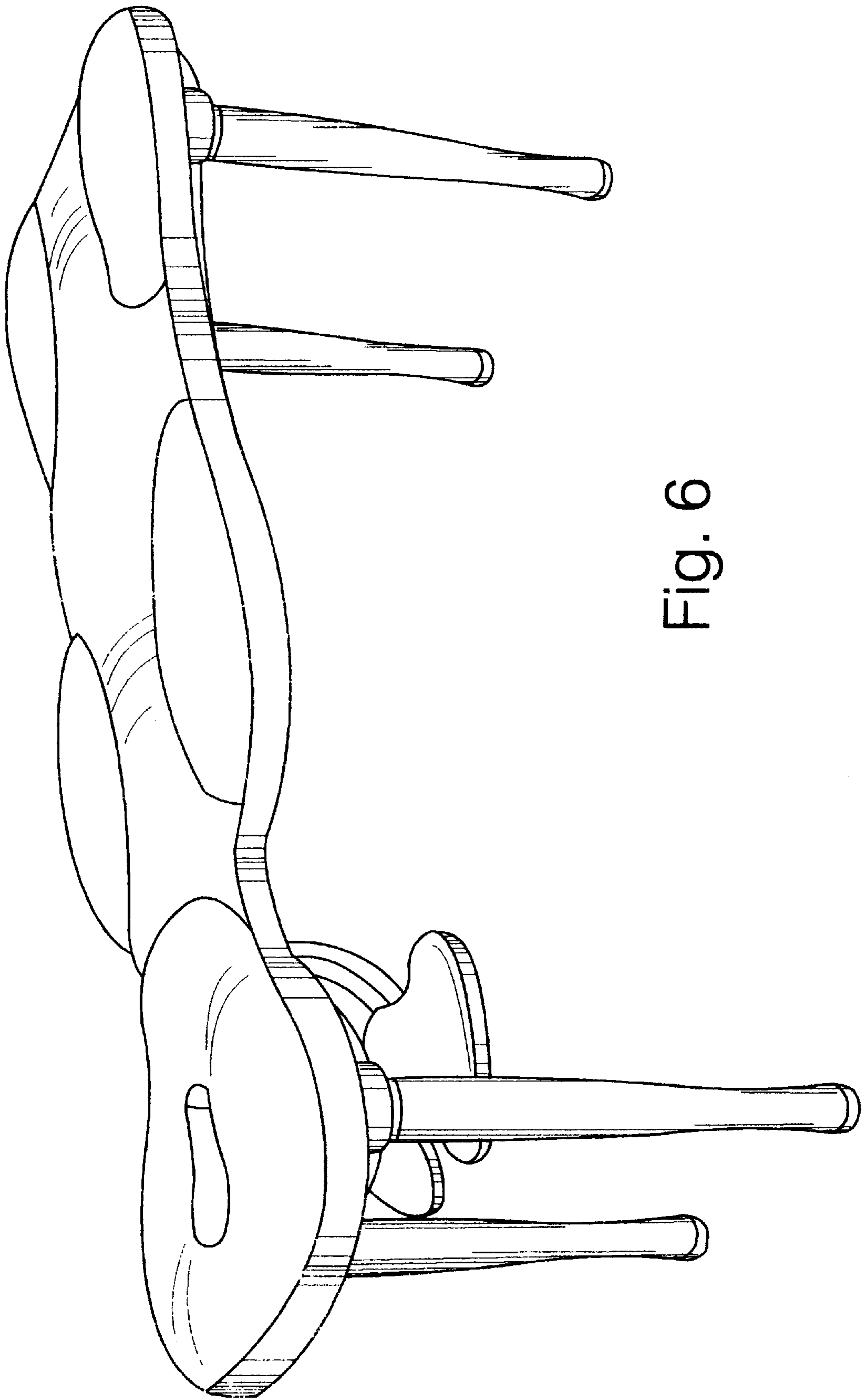


Fig. 6

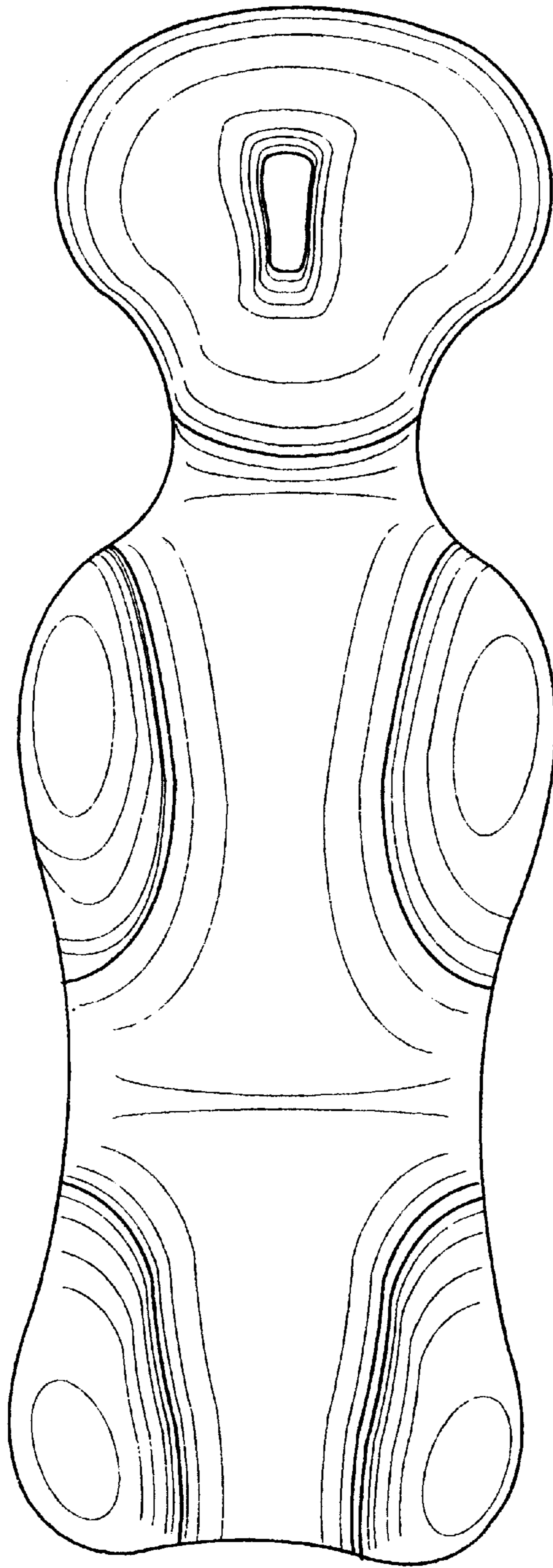


Fig. 7

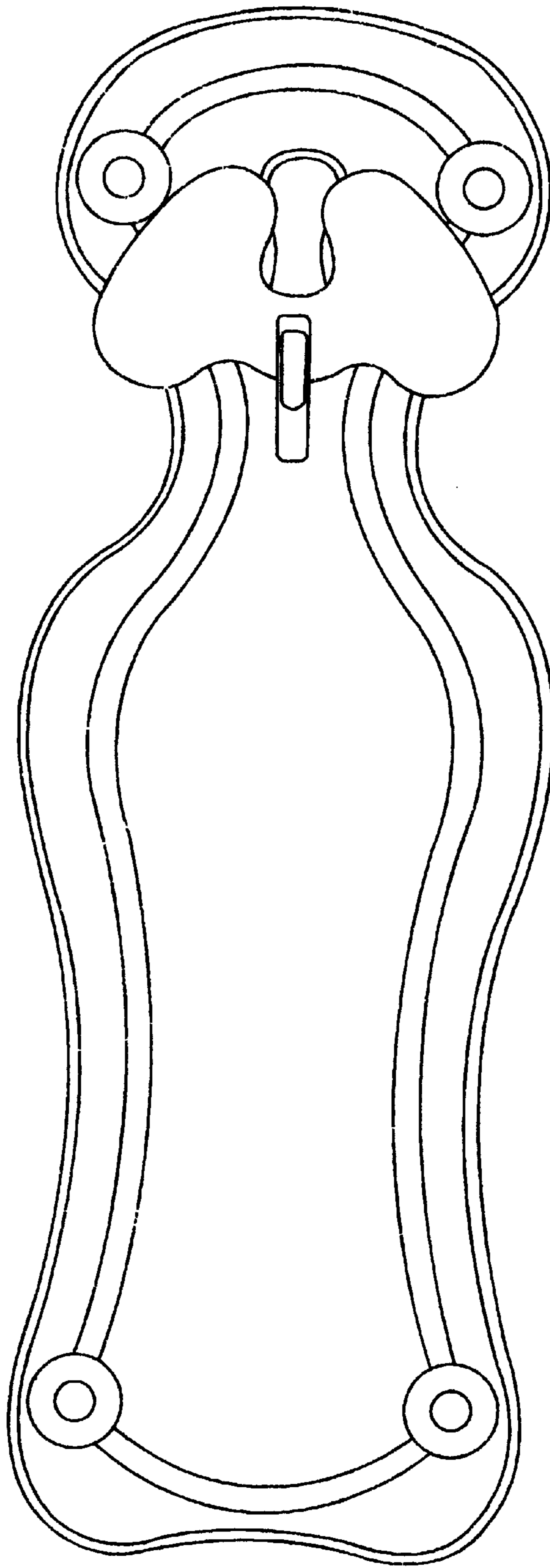


Fig. 8