



US00D433507S

United States Patent [19]

Yeh et al.

[11] Patent Number: **Des. 433,507**

[45] Date of Patent: **** Nov. 7, 2000**

[54] **X-RAY FILM RE-SCREENING APPARATUS**

[75] Inventors: **Hwa-Young Michael Yeh; Yuan-Ming Fleming Lure**, both of Potomac; **Jyh-Shyan Lin**, N. Potomac; **Xin-Wei Xu**, Gaithersburg; **William Bredlow**, Baltimore; **Richard Lipscher**, Baltimore; **Matthew Thomas Freedman**, Baltimore, all of Md.

[73] Assignee: **Deus Technologies, LLC**, Rockville, Md.

[**] Term: **14 Years**

[21] Appl. No.: **29/097,027**

[22] Filed: **Nov. 25, 1998**

[51] **LOC (7) Cl.** **24-01**

[52] **U.S. Cl.** **D24/158**

[58] **Field of Search** D24/158, 160; 378/96, 97, 62, 98, 162; 382/132, 130, 128

[56] **References Cited**

U.S. PATENT DOCUMENTS

4,907,156 3/1990 Doi et al. 382/130
5,133,020 7/1992 Giger et al. 382/128

5,638,458 6/1997 Giger et al. 382/132
5,850,465 12/1998 Shimura et al. 382/132
5,923,725 7/1999 Reiff et al. 378/162
5,982,848 11/1999 Friedrich et al. 378/96
5,987,094 11/1999 Clarke et al. 378/62

Primary Examiner—Stella Reid
Attorney, Agent, or Firm—Venable; Robert Kinberg; Jeffrey W. Gluck

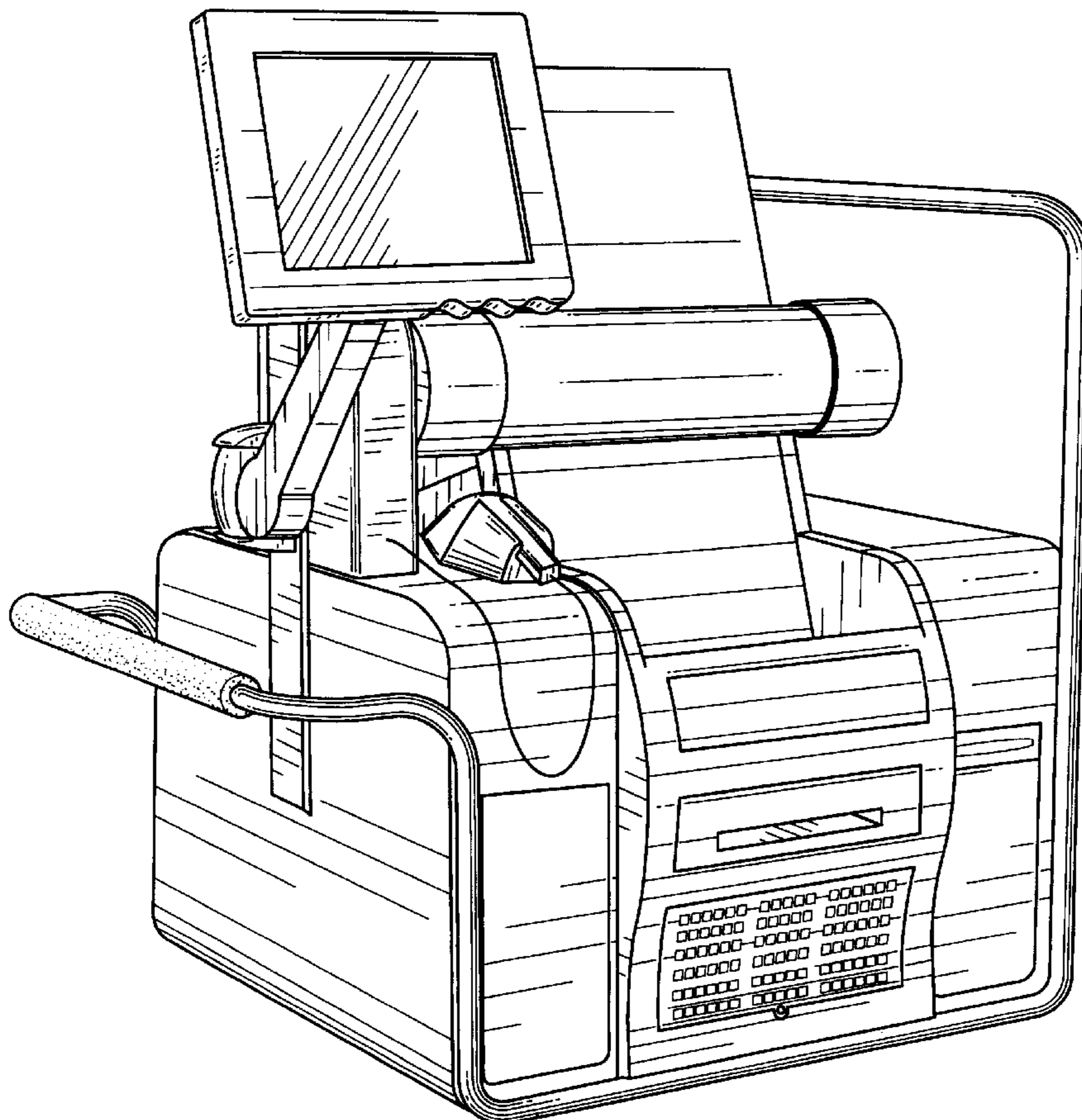
[57] **CLAIM**

The ornamental design for an x-ray film re-screening apparatus, as shown and described.

DESCRIPTION

FIG. 1 is a perspective view of the x-ray film re-screening apparatus showing the front and right side; FIG. 2 is a front elevation view of the apparatus shown in FIG. 1; FIG. 3 is a rear elevation view of the apparatus shown in FIG. 1; FIG. 4 is a side elevation view, depicting the left side of the apparatus shown in FIG. 1; FIG. 5 is a side elevation view, depicting the right side of the apparatus shown in FIG. 1; and, FIG. 6 is a top plan view of the apparatus shown in FIG. 1. The bottom is plain and unornamented.

1 Claim, 6 Drawing Sheets



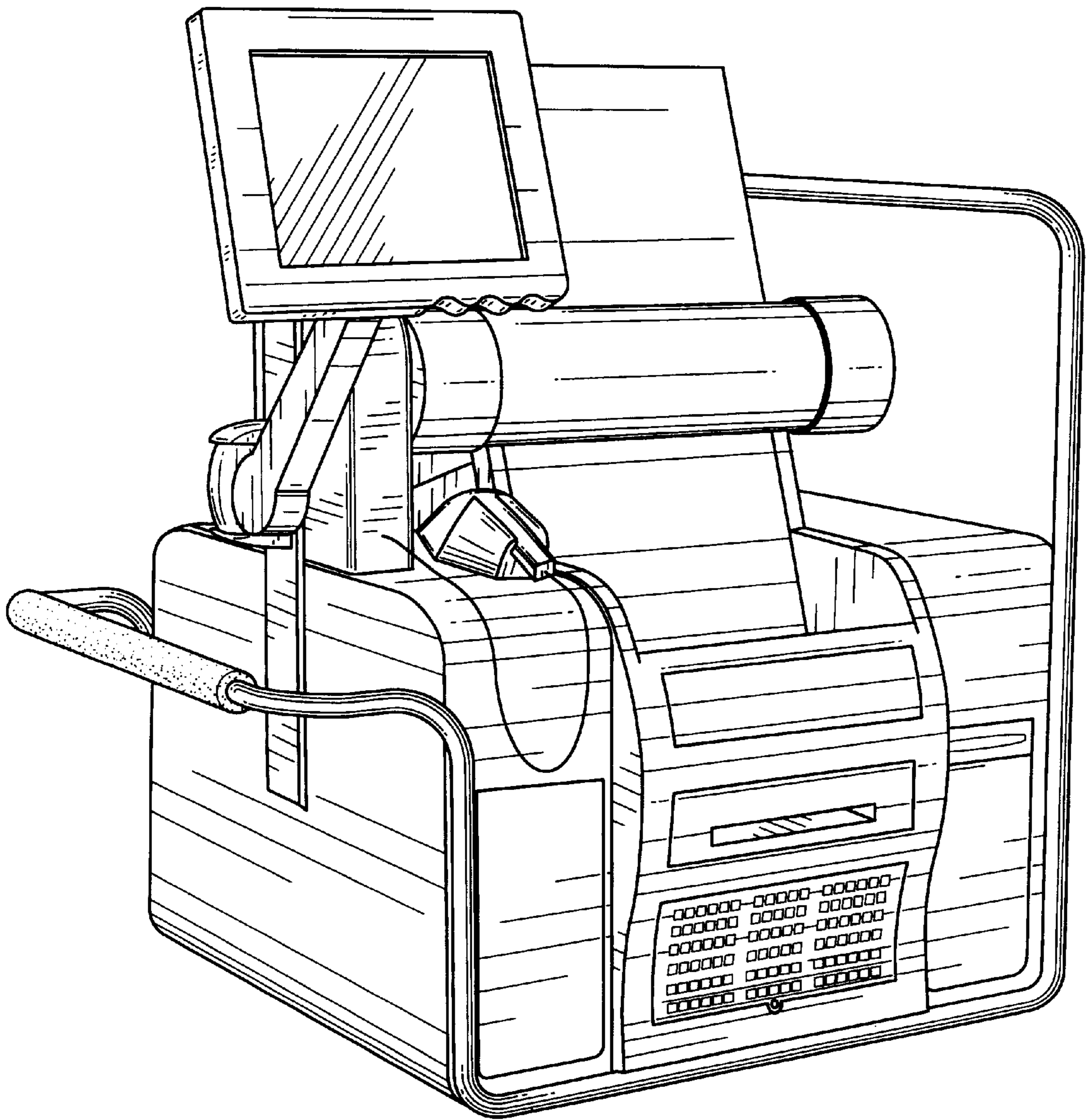


FIG. 1

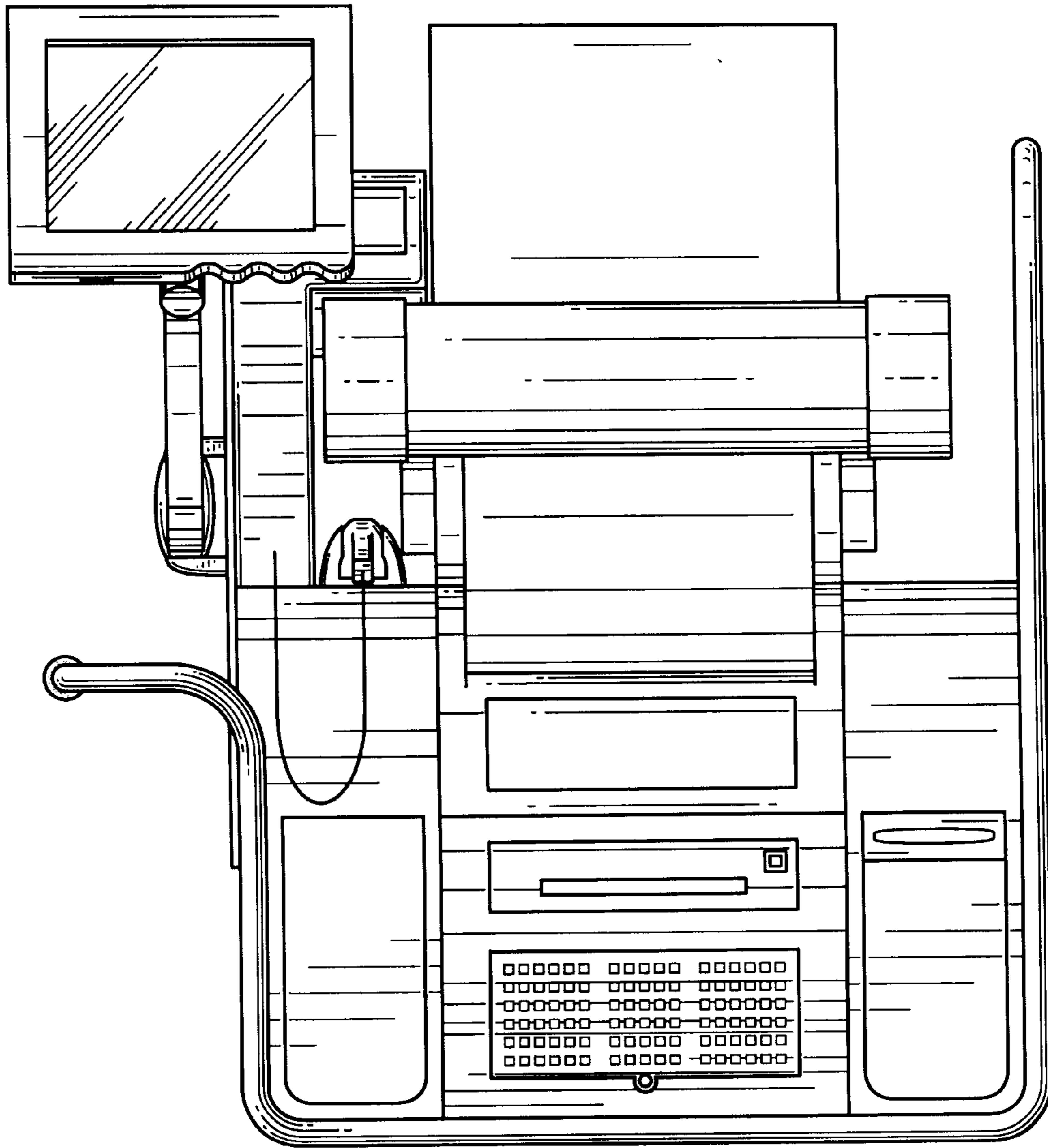


FIG. 2

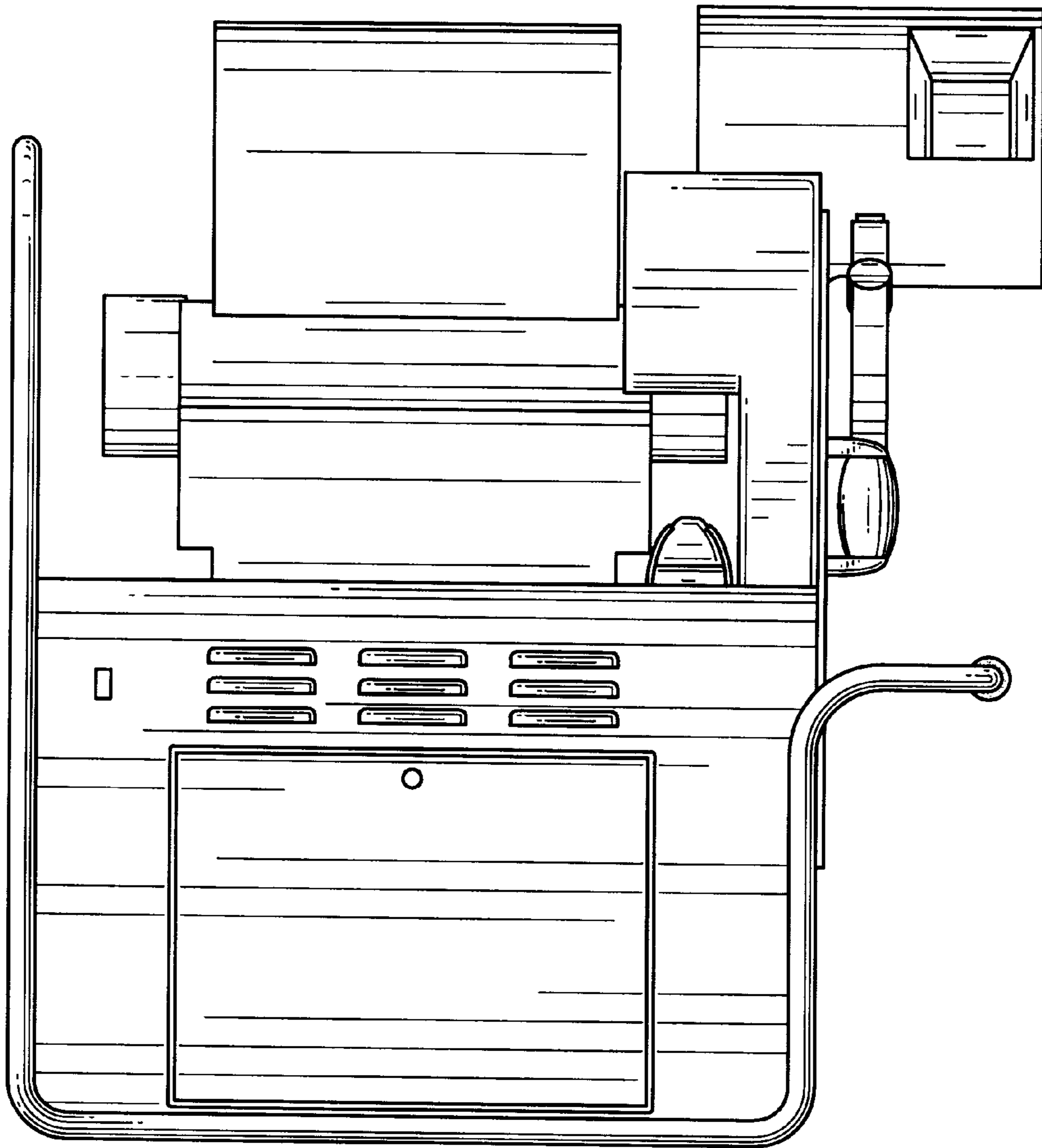


FIG. 3

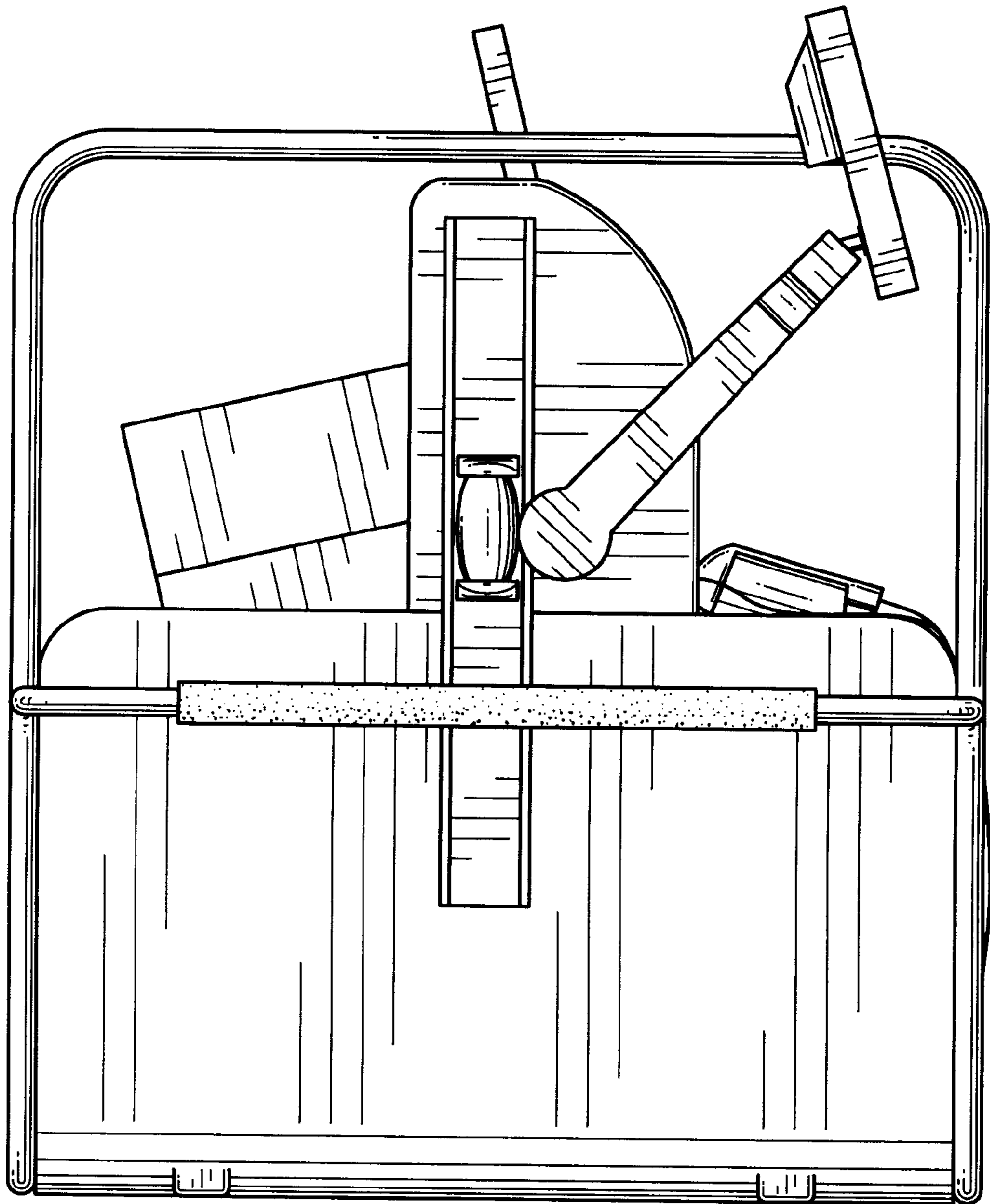


FIG. 4

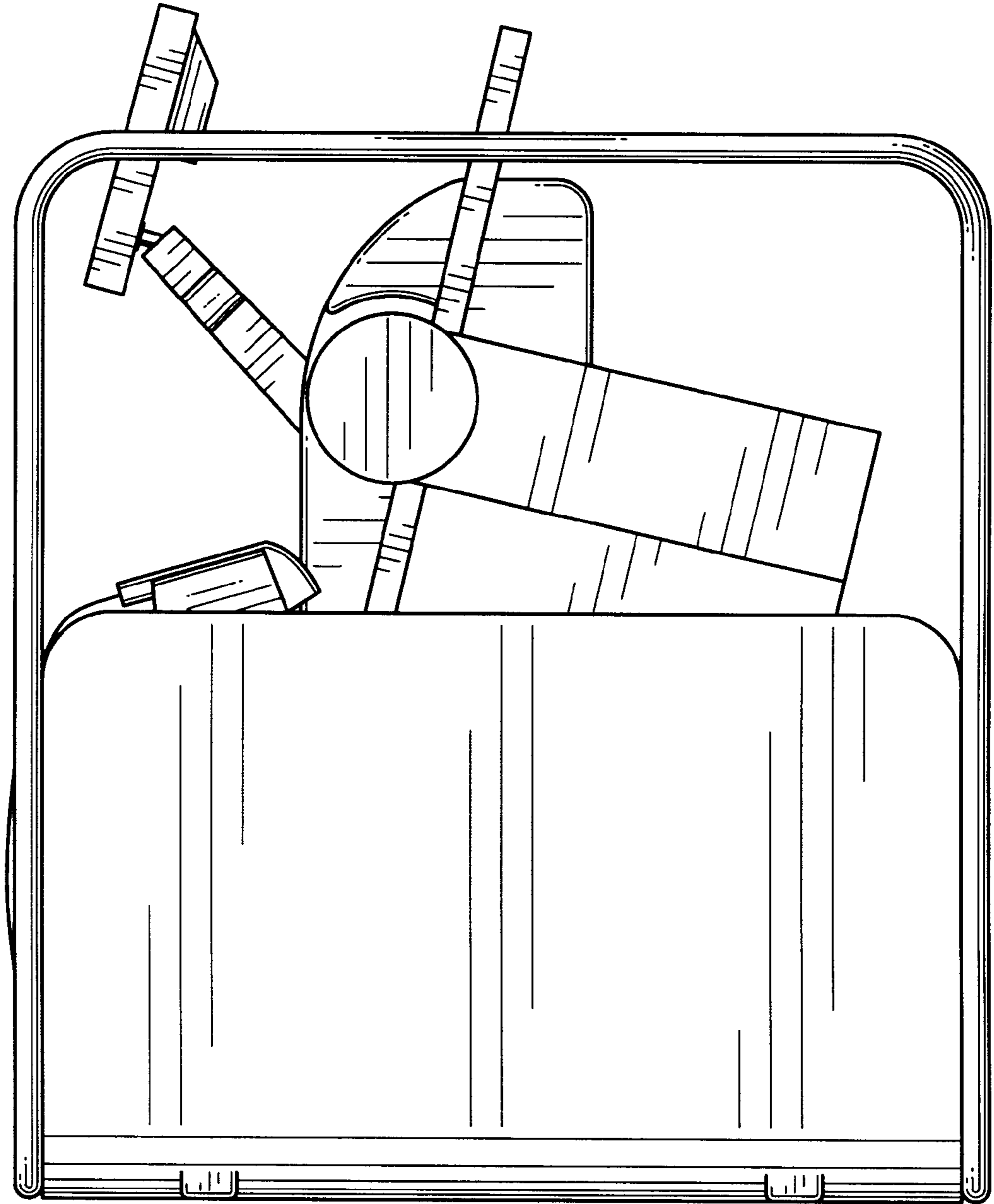


FIG. 5

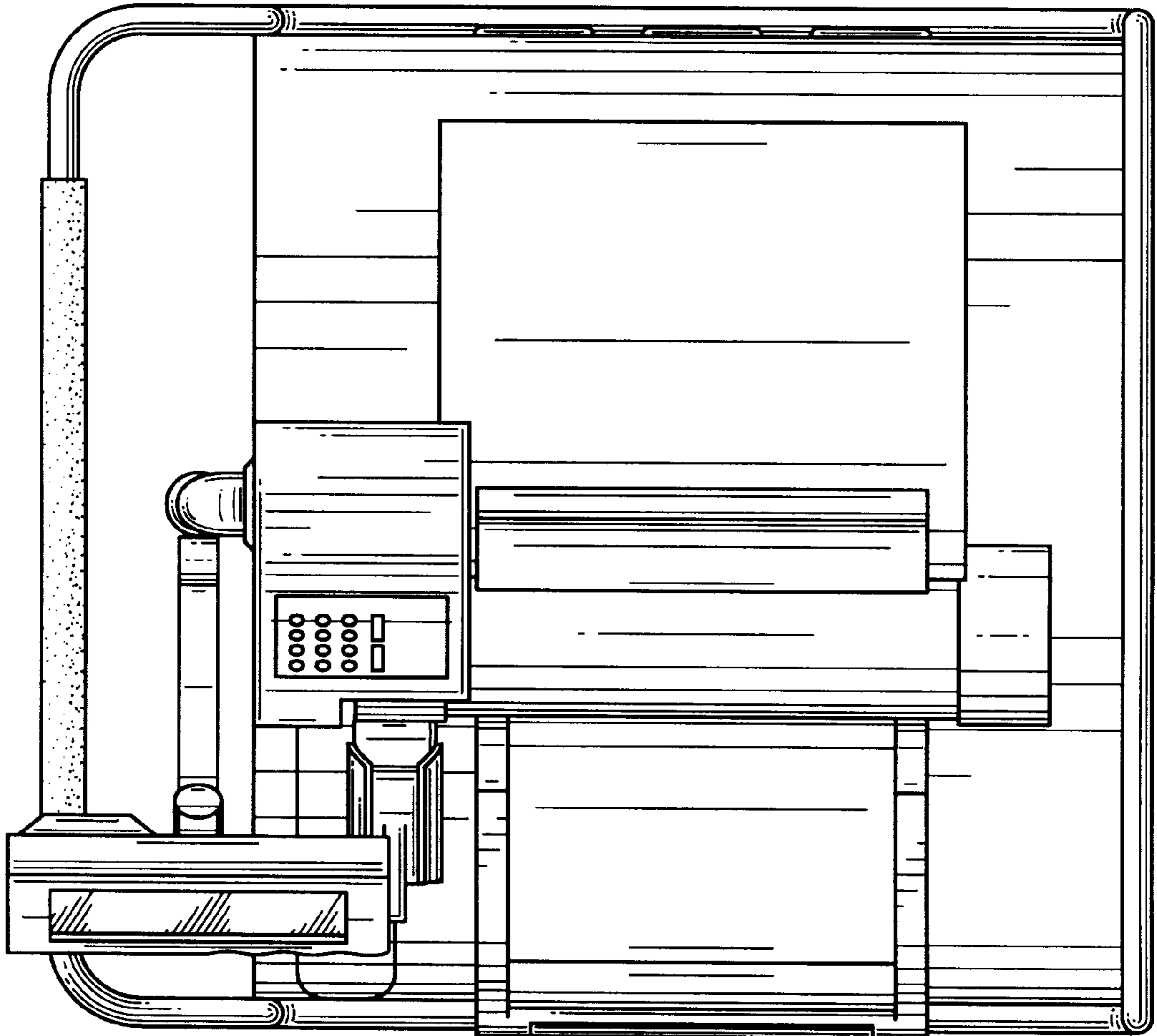


FIG. 6