



US00D433506S

# United States Patent [19]

Asfora

[11] Patent Number: Des. 433,506

[45] Date of Patent: \*\* Nov. 7, 2000

[54] DOUBLE DRILL GUIDE

5,769,856 6/1998 Dong et al. .... 606/96

[76] Inventor: Wilson T. Asfora, 1500 W. 22<sup>nd</sup> St., Suite 101, Sioux Falls, S. Dak. 57105

Primary Examiner—Ian Simmons

[\*\*] Term: 14 Years

[57] CLAIM

[21] Appl. No.: 29/105,949

The ornamental design for a double drill guide, as shown and described.

[22] Filed: Jun. 4, 1999

### DESCRIPTION

[51] LOC (7) Cl. .... 24-02

[52] U.S. Cl. .... D24/140

[58] Field of Search ..... D24/140, 133; D15/132, 138, 139; 606/96, 102, 97, 98, 87, 89, 88

FIG. 1 is a right side plane view of the double drill guide of the instant invention;

FIG. 2 is a front plane view of the drill guide illustrated in FIG. 1;

FIG. 3 is a rear plane view of the drill guide illustrated in FIG. 1;

FIG. 4 is a top plane view of the drill guide illustrated in FIG. 1;

FIG. 5 is a bottom plane view of the drill guide illustrated in FIG. 1; and,

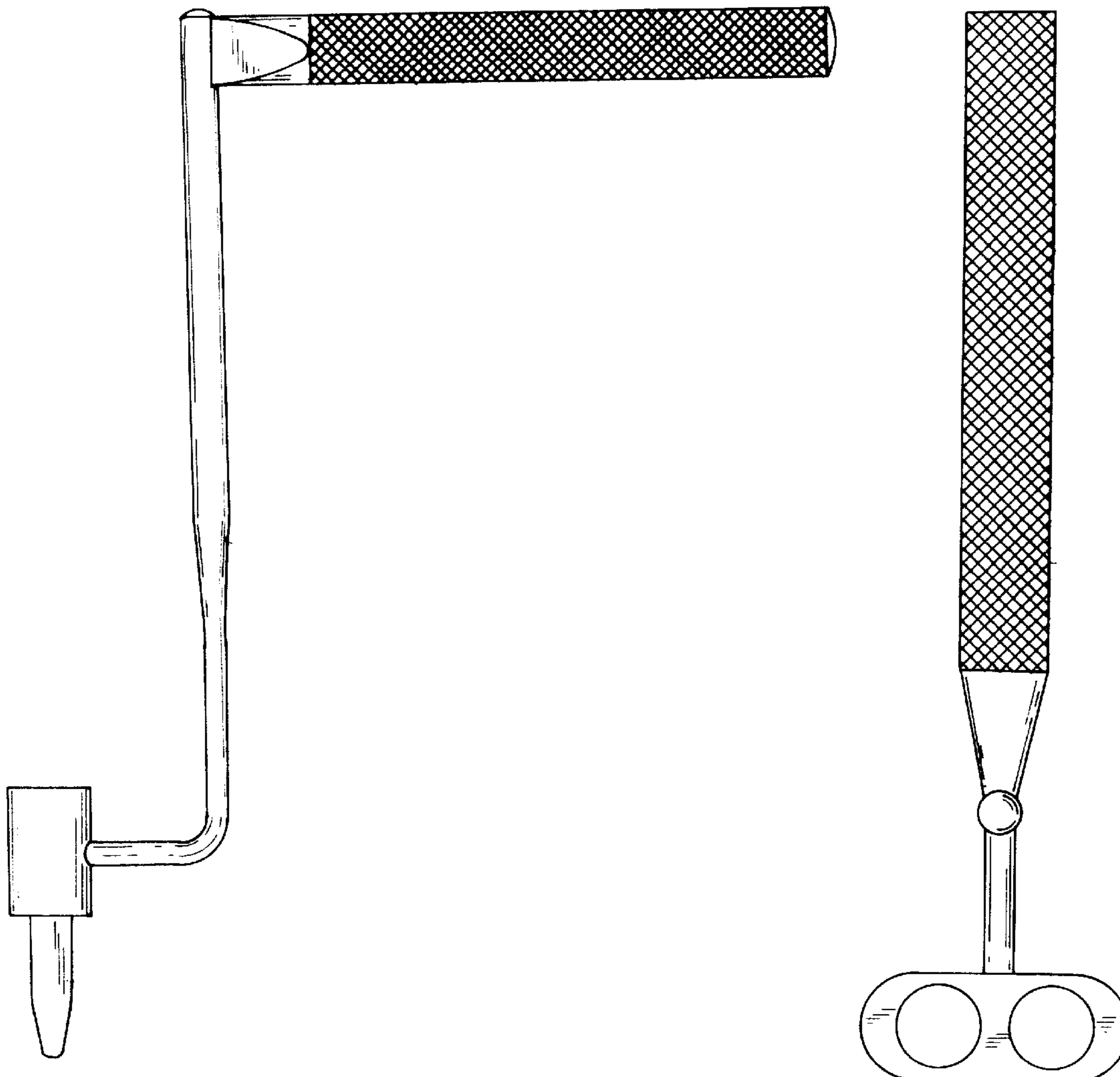
FIG. 6 is a fragmentary perspective view of the guide end thereof, for clarity of disclosure.

### [56] References Cited

#### U.S. PATENT DOCUMENTS

D. 357,534	4/1995	Hayes	.....	D24/140
D. 404,126	1/1999	Asfora	.....	D24/140
2,607,339	8/1952	Price	.....	606/96
5,324,295	6/1994	Shapiro	.....	606/96
5,766,221	6/1998	Benderev et al.	.....	606/96

1 Claim, 3 Drawing Sheets



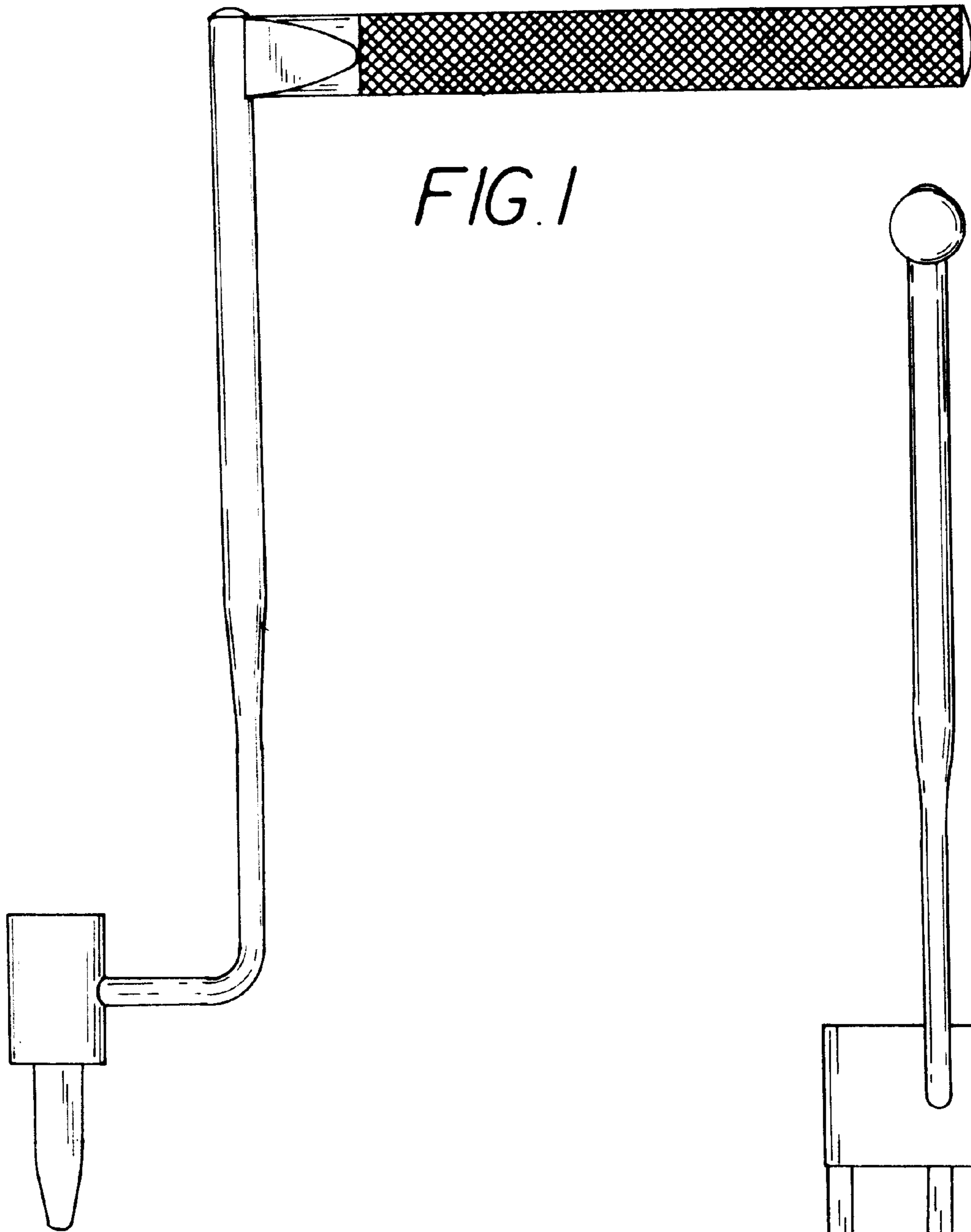


FIG. 1

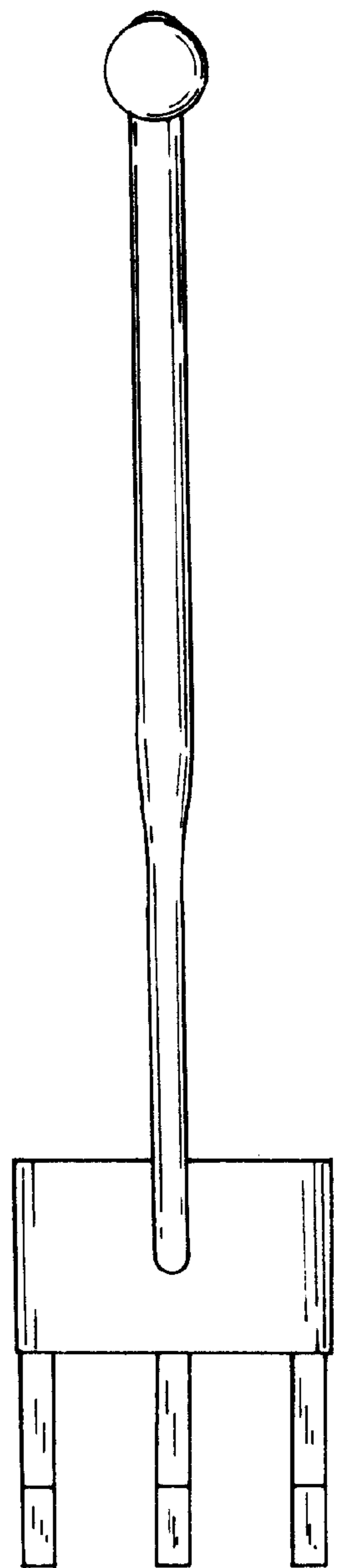


FIG. 2

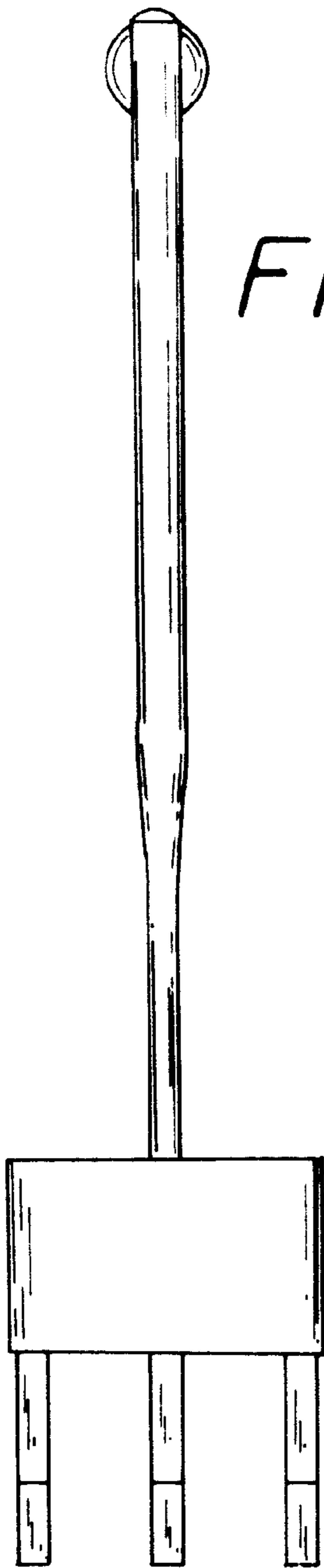


FIG.3

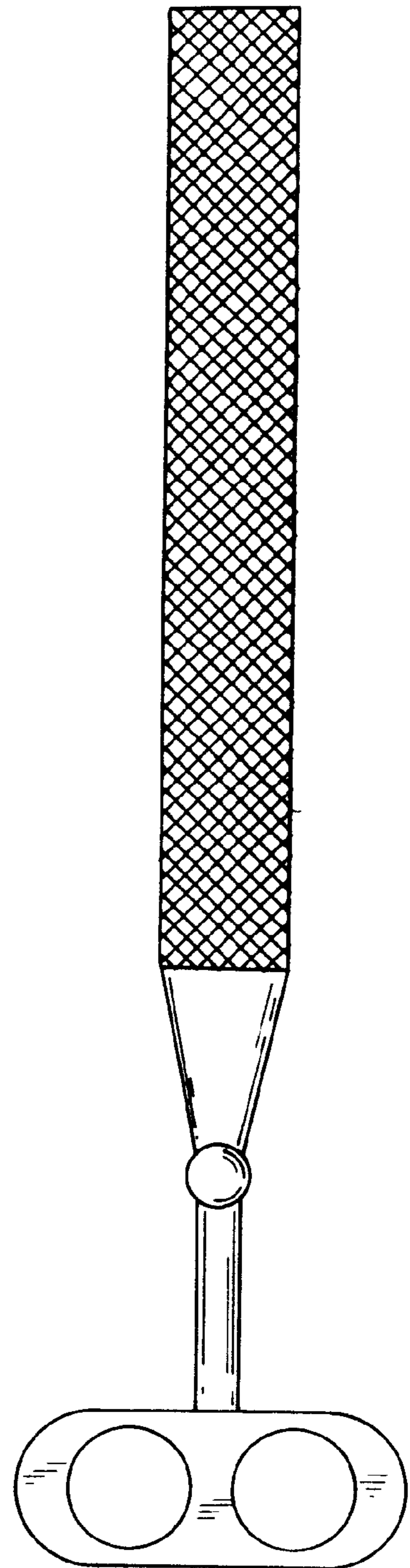


FIG.4

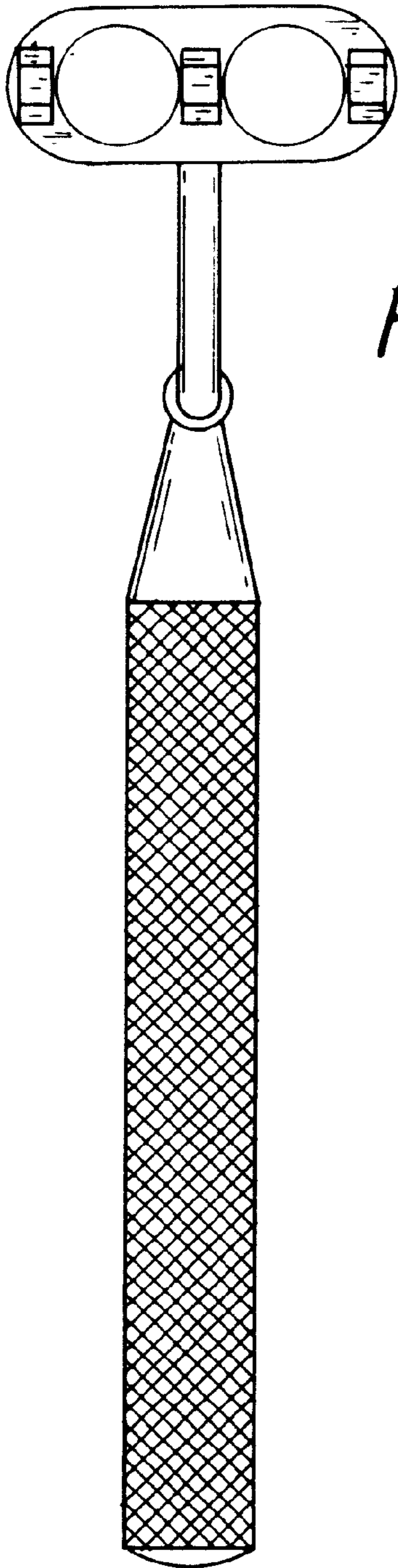


FIG. 5

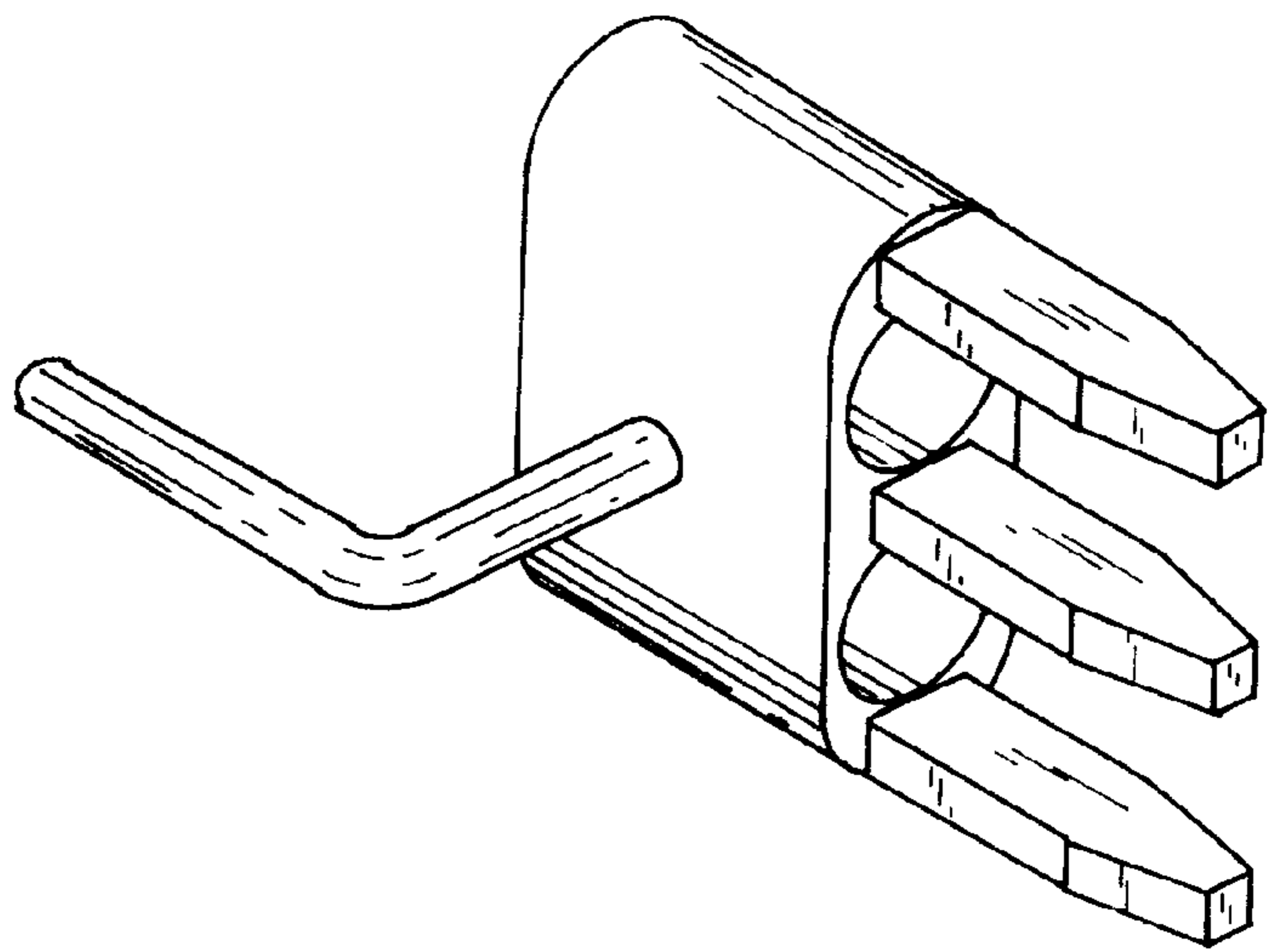


FIG. 6