



US00D433505S

United States Patent [19]
Crawford et al.

[11] **Patent Number: Des. 433,505**
[45] **Date of Patent: ** Nov. 7, 2000**

[54] **NEEDLE HOLDER**
[75] Inventors: **Jamie Crawford**, New York; **Mark Newby**, Tuxedo, both of N.Y.
[73] Assignee: **Becton Dickinson and Company**, Franklin Lakes, N.J.
[**] Term: **14 Years**
[21] Appl. No.: **29/101,976**
[22] Filed: **Mar. 10, 1999**
[51] **LOC (7) Cl.** **24-02**
[52] **U.S. Cl.** **D24/130**
[58] **Field of Search** D24/130, 112, D24/114; 604/240, 198, 197, 196, 195, 241, 110, 292, 263; 206/365, 366; 600/576, 577, 578

5,755,673 5/1998 Kinsey .
5,769,826 6/1998 Johnson et al. 604/195
5,797,490 8/1998 Fujii .
6,019,218 2/2000 Racicot et al. 206/366

Primary Examiner—Ian Simmons
Attorney, Agent, or Firm—Nanette S. Thomas, Esq.

[57] **CLAIM**

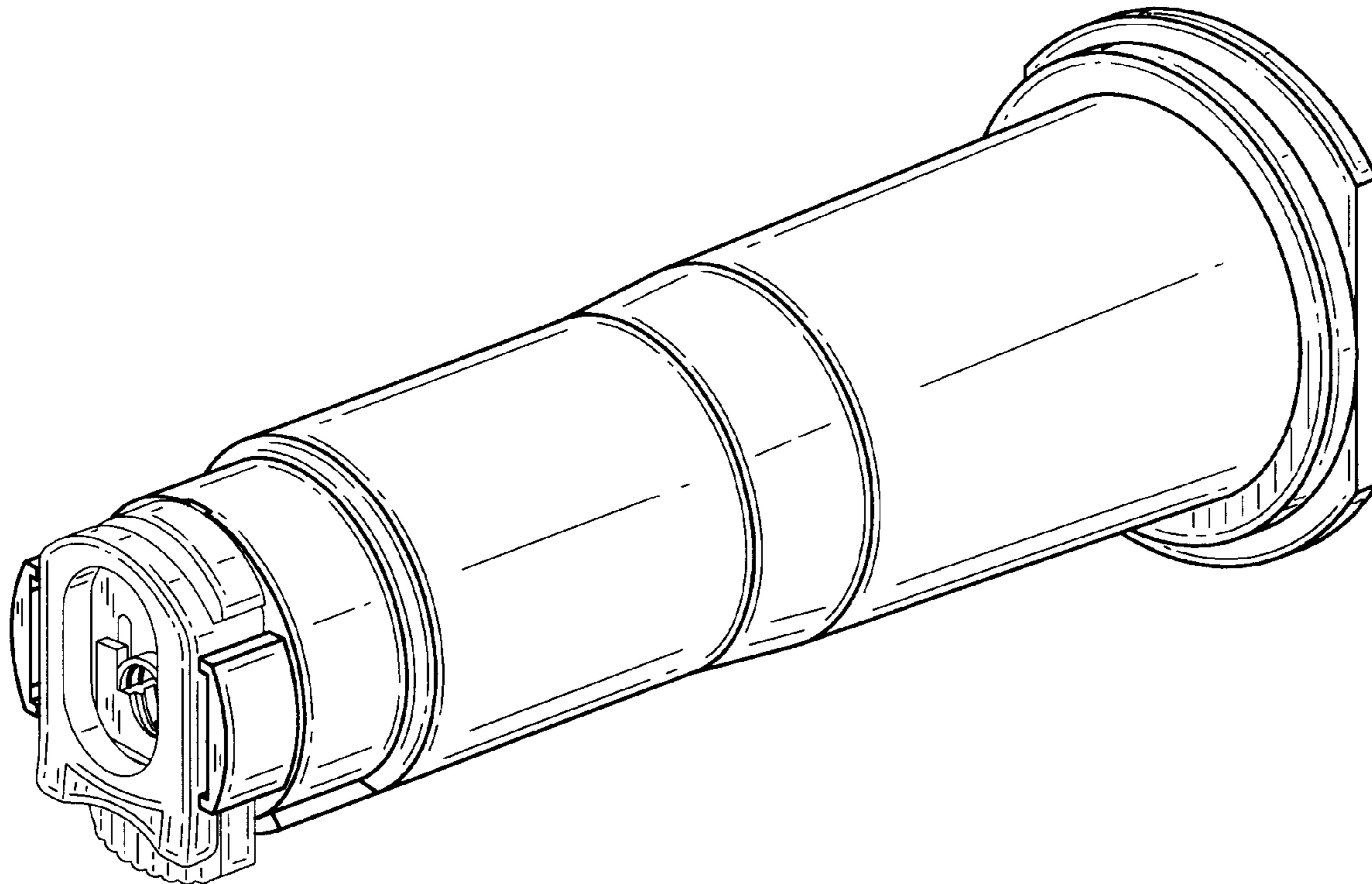
The ornamental design for a needle holder, as shown and described.

DESCRIPTION

FIG. 1 is a perspective view of the needle holder; FIG. 2 is a side elevational view of the needle holder of FIG. 1; FIG. 3 is a side elevational view of the needle holder of FIG. 1, rotated 90°; FIG. 4 is a side elevational view of the needle holder of FIG. 1, rotated 270°; and, FIG. 5 is a top plan view of the needle holder of FIG. 1. The surfaces or portions of the article not shown in the drawing or described in the specification forms no part of the claimed design.

[56] **References Cited**
U.S. PATENT DOCUMENTS
D. 418,222 12/1999 Pellow D24/130
5,117,837 6/1992 Wanamaker et al. 604/240
5,299,687 4/1994 Hanifl et al. 206/366

1 Claim, 5 Drawing Sheets



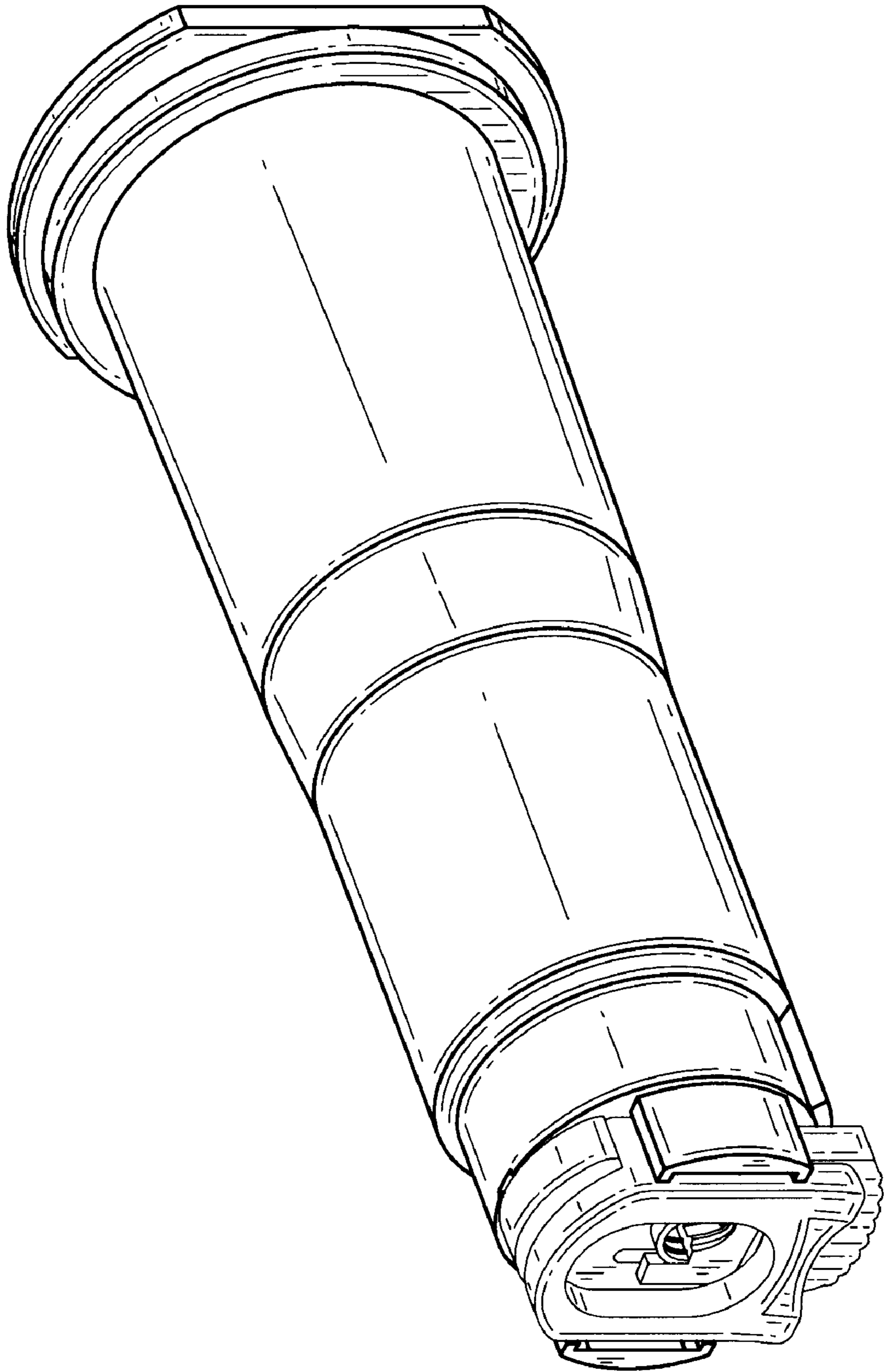


FIG-1

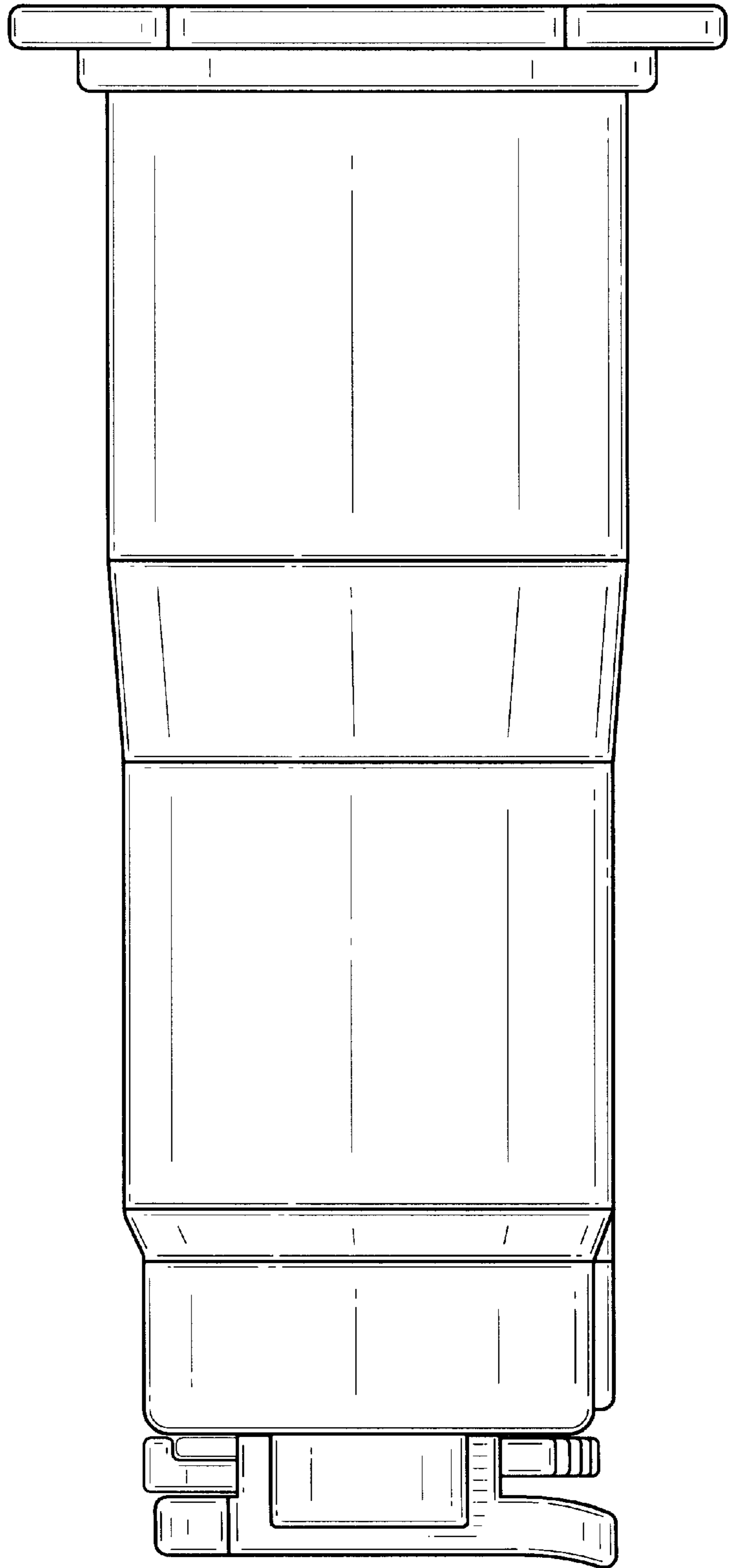


FIG-2

FIG-3

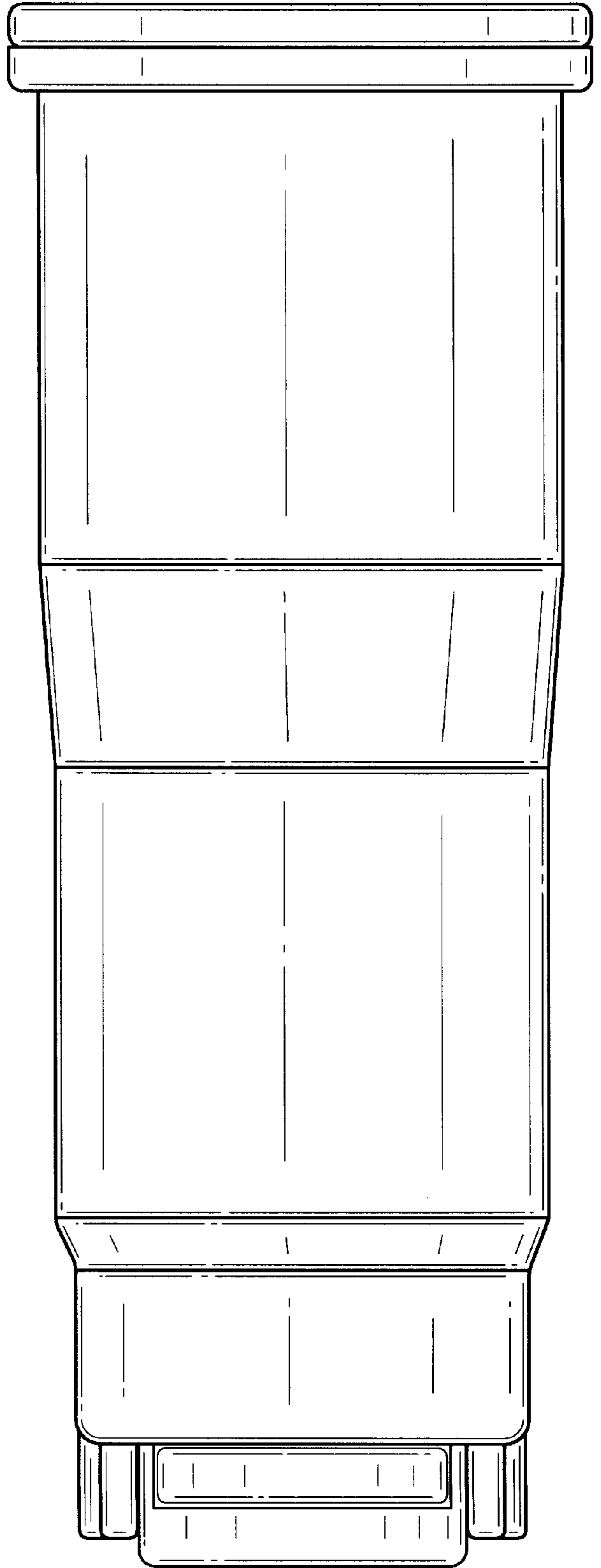
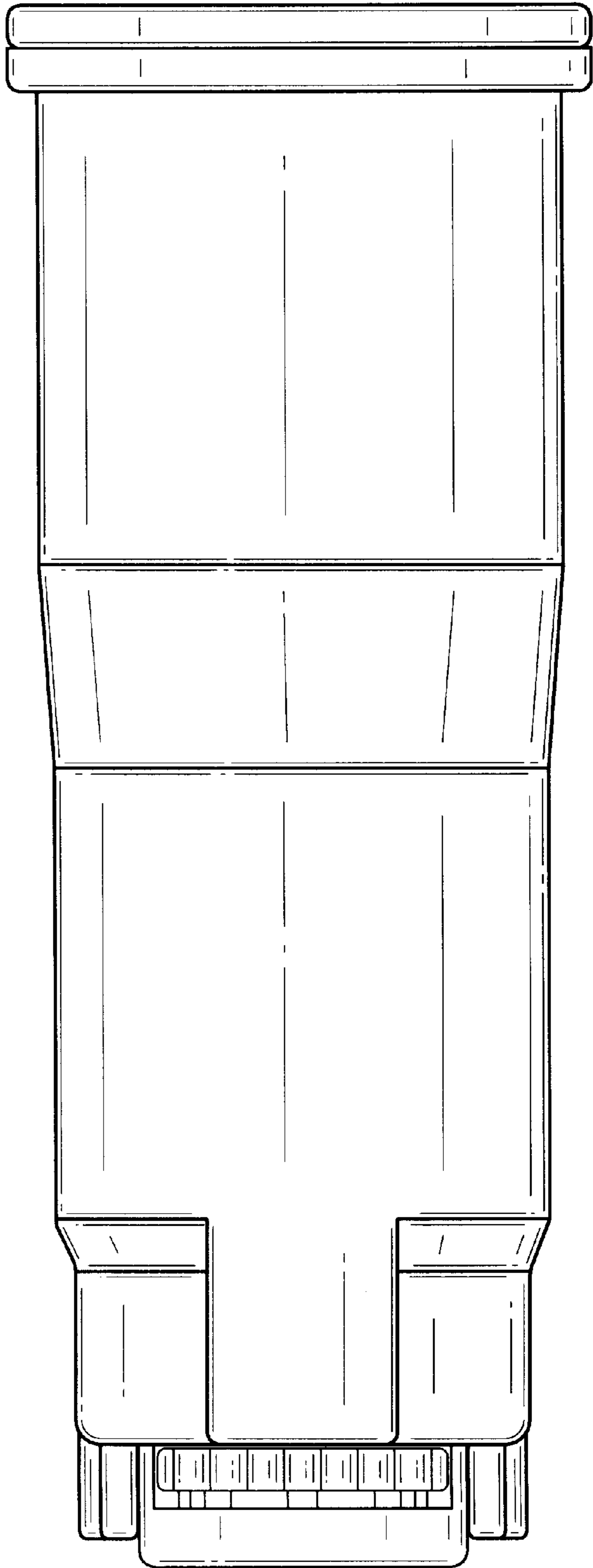


FIG-4



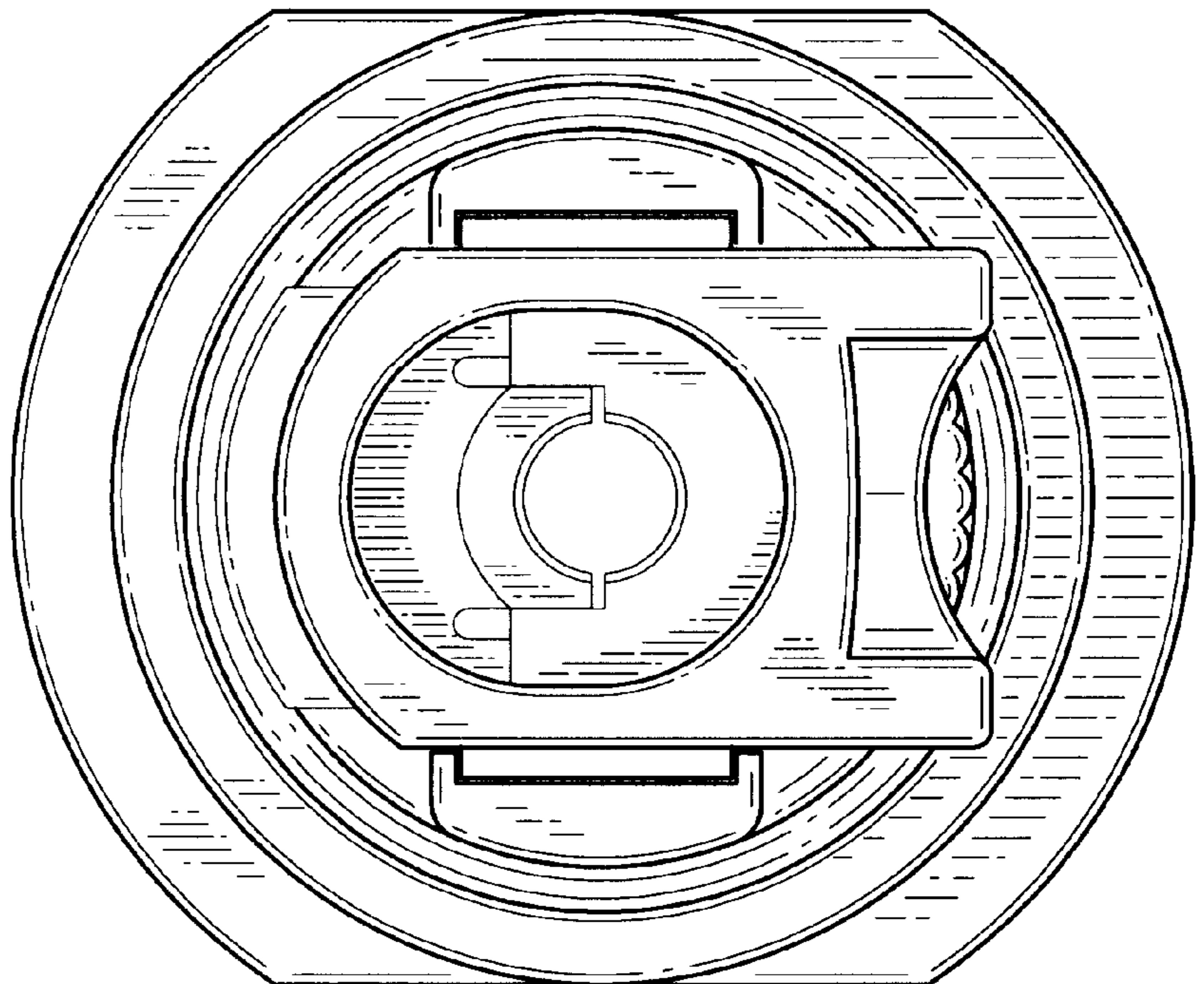


FIG-5