



US00D433497S

United States Patent [19]

[11] **Patent Number: Des. 433,497**

Hotaling et al.

[45] **Date of Patent: ** Nov. 7, 2000**

[54] **FAN HOUSING**

[75] Inventors: **Bryan Hotaling**, Arlington; **Jon Rossman**, Chelmsford; **William Chura**, Medford, all of Mass.

[73] Assignee: **The Holmes Group, Inc.**, Milford, Mass.

[**] Term: **14 Years**

[21] Appl. No.: **29/115,928**

[22] Filed: **Dec. 22, 1999**

[51] **LOC (7) Cl.** **23-04**

[52] **U.S. Cl.** **D23/382; D23/411**

[58] **Field of Search** **D23/381, 382, D23/370, 411, 335, 336; 416/246, 247 R, 244 R; 248/676; D6/462, 312, 499**

[56] **References Cited**

U.S. PATENT DOCUMENTS

- D. 307,320 4/1990 Shin-Chin .
- D. 422,073 3/2000 Lozzio .

Primary Examiner—Lisa Lichtenstein
Attorney, Agent, or Firm—Hoffmann & Baron, LLP; Francis E. Marino

[57] **CLAIM**

The ornamental design for a fan housing, as shown and described.

DESCRIPTION

FIG. 1 is a side perspective view of a fan housing showing our new design;

FIG. 2 is a front elevation view thereof;

FIG. 3 is a right side elevation view thereof, the left side being a mirror image;

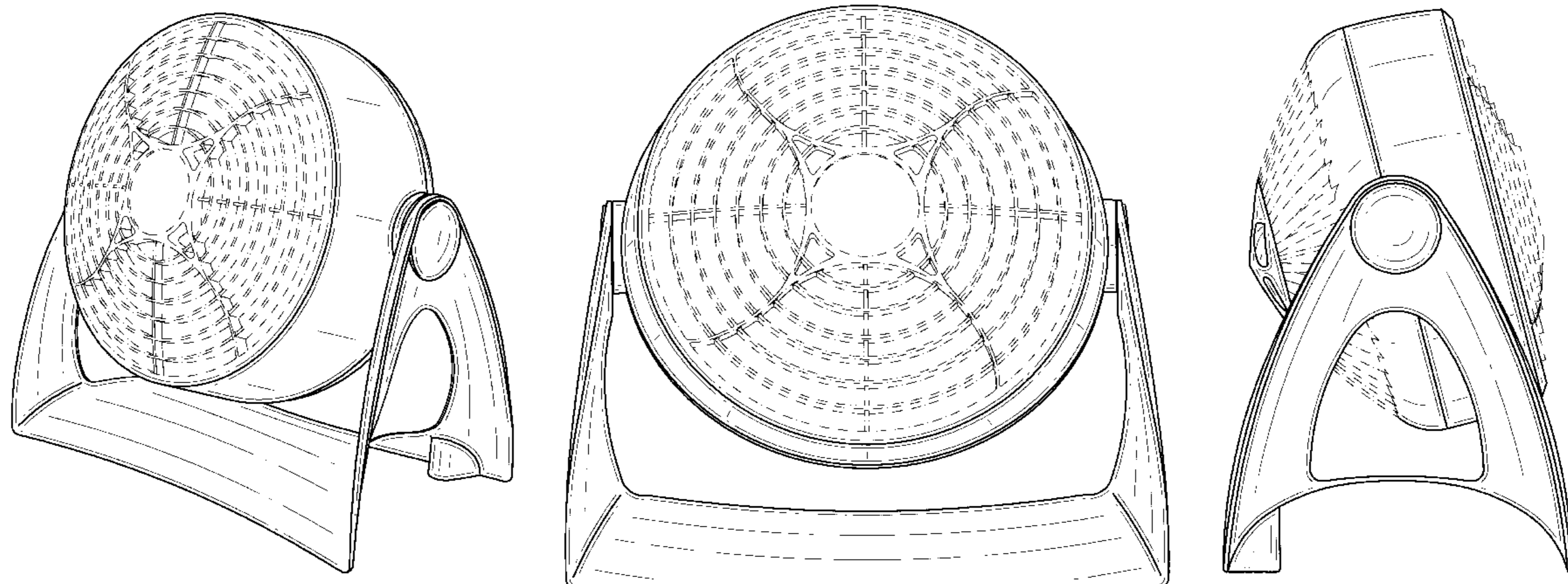
FIG. 4 is a top plan view thereof; and,

FIG. 5 is a rear elevation view thereof.

The surface(s) or portion(s) of the article not shown in the drawing or described in the specification form(s) no part of the claimed design.

The broken-line showing of environmental structure in FIGS. 1–5 is for illustrative purposes only and forms no part of the claimed design.

1 Claim, 5 Drawing Sheets



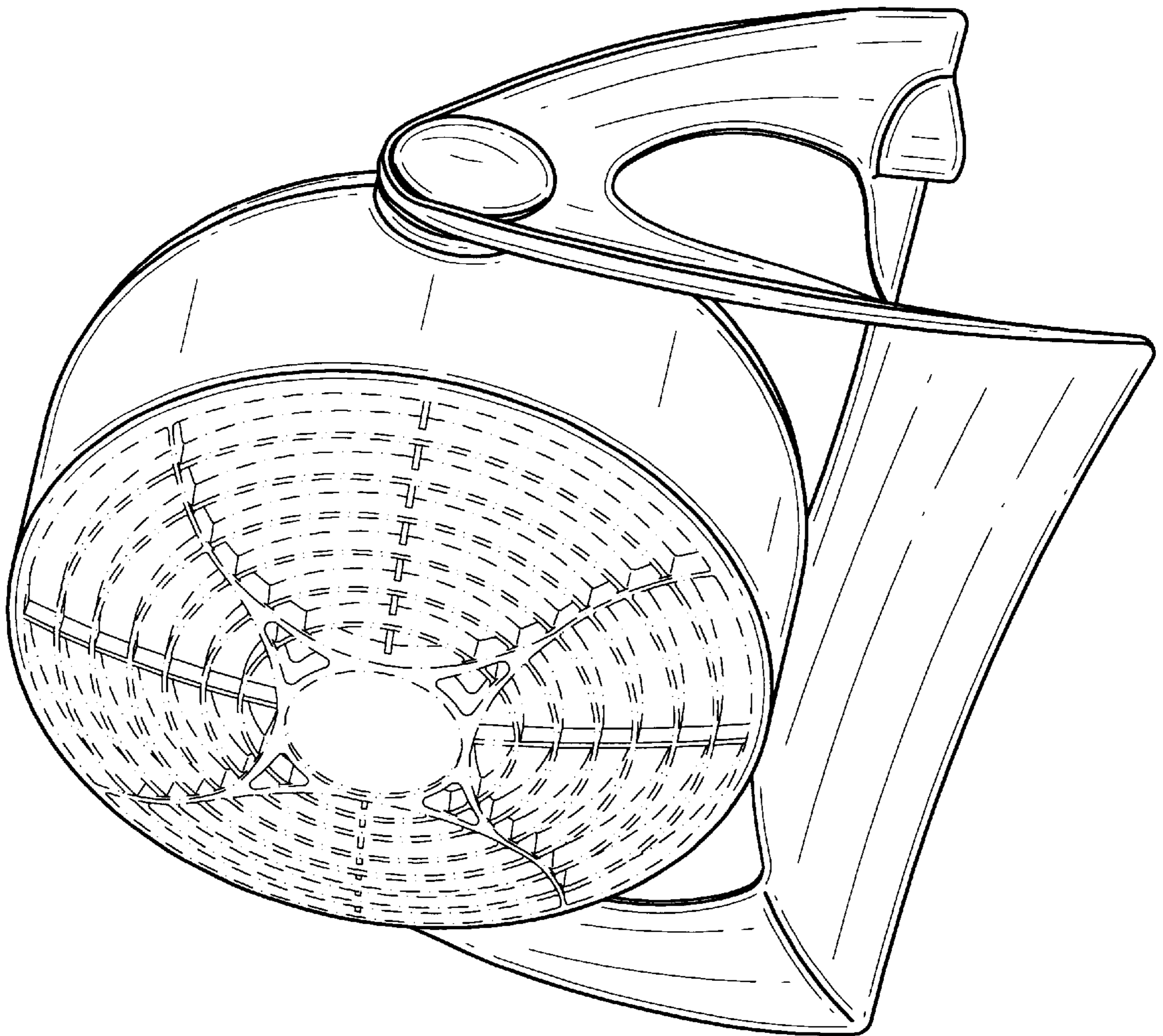


FIG-1

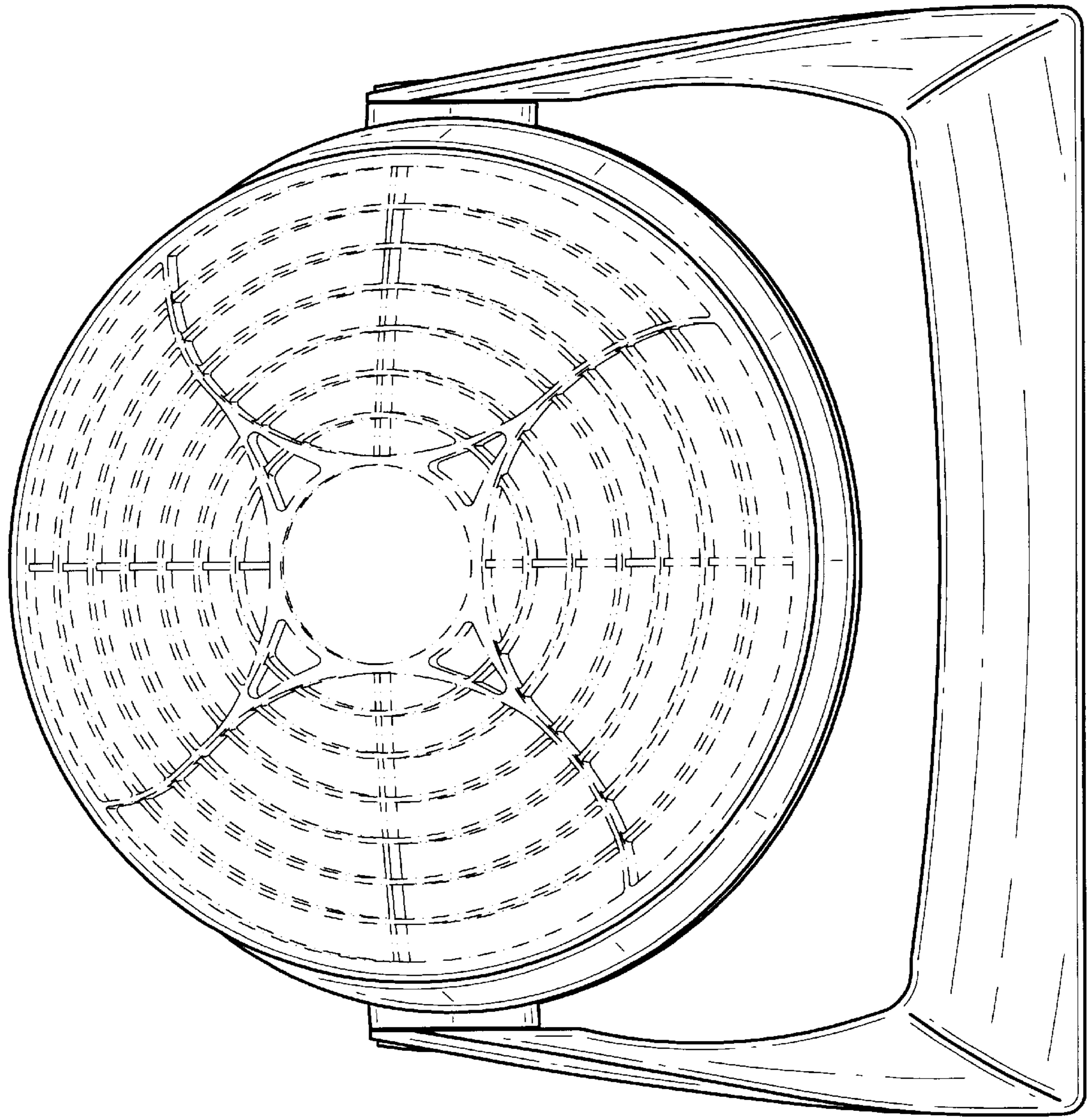


FIG-2

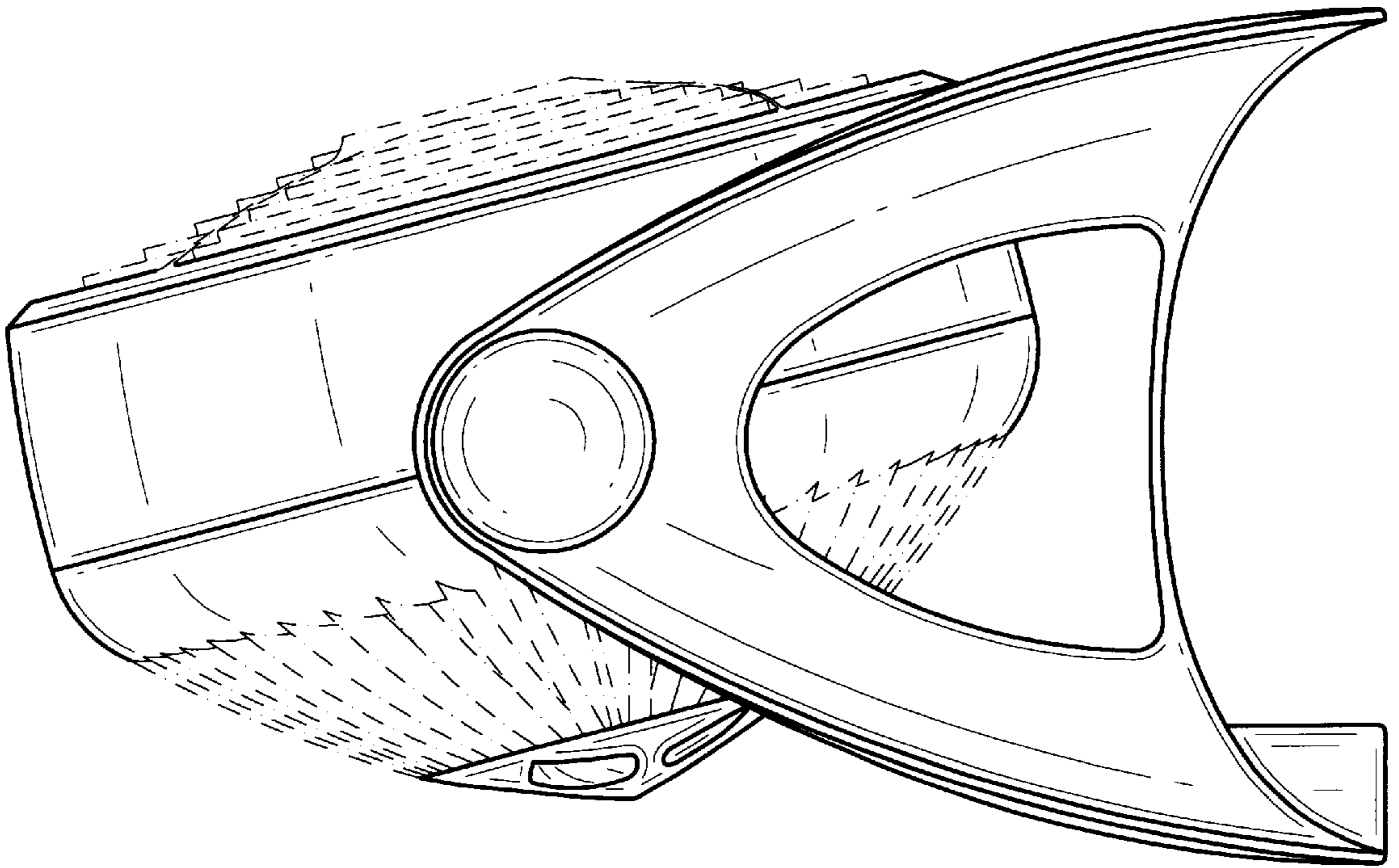


FIG-3

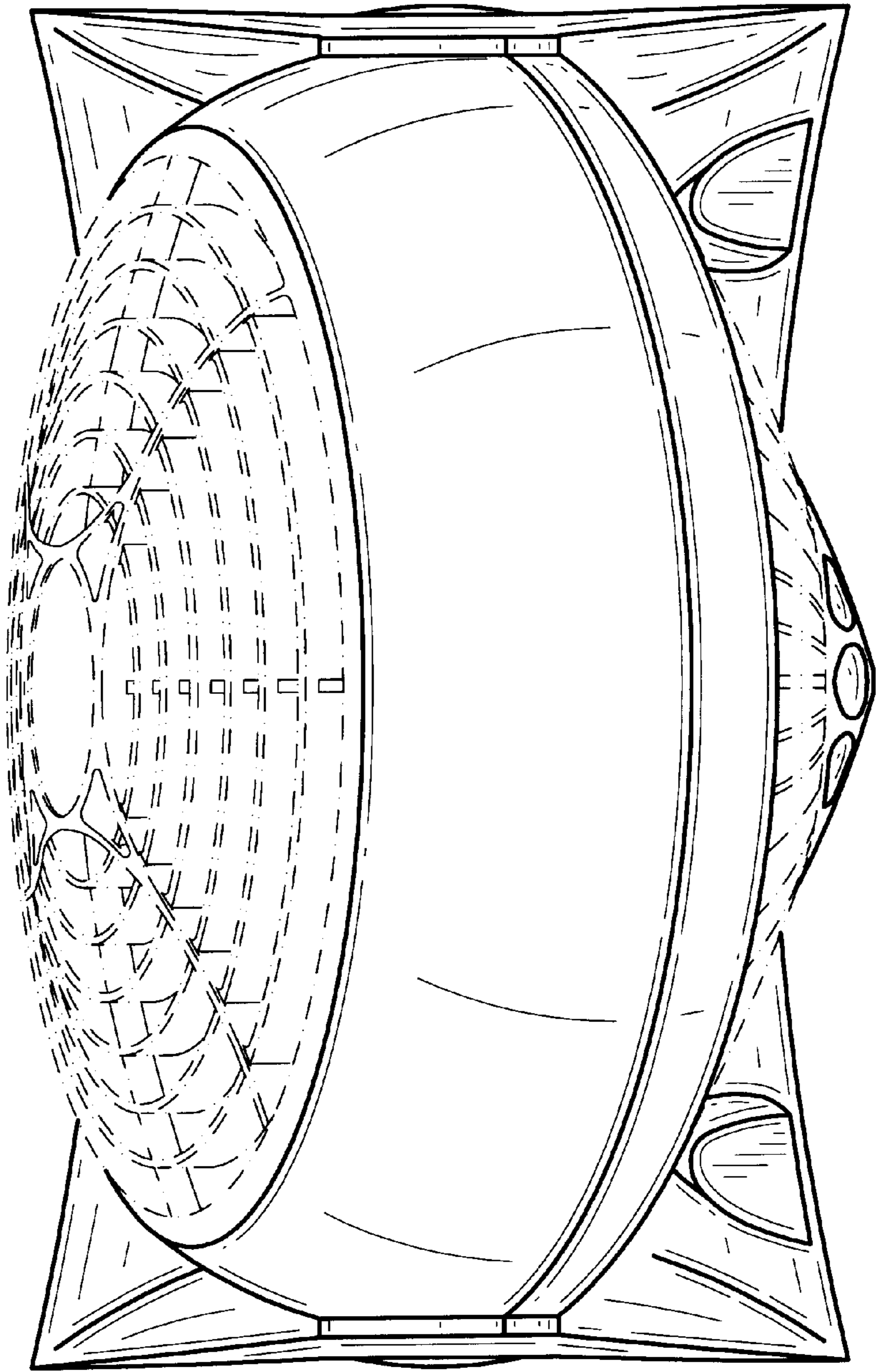


FIG-4

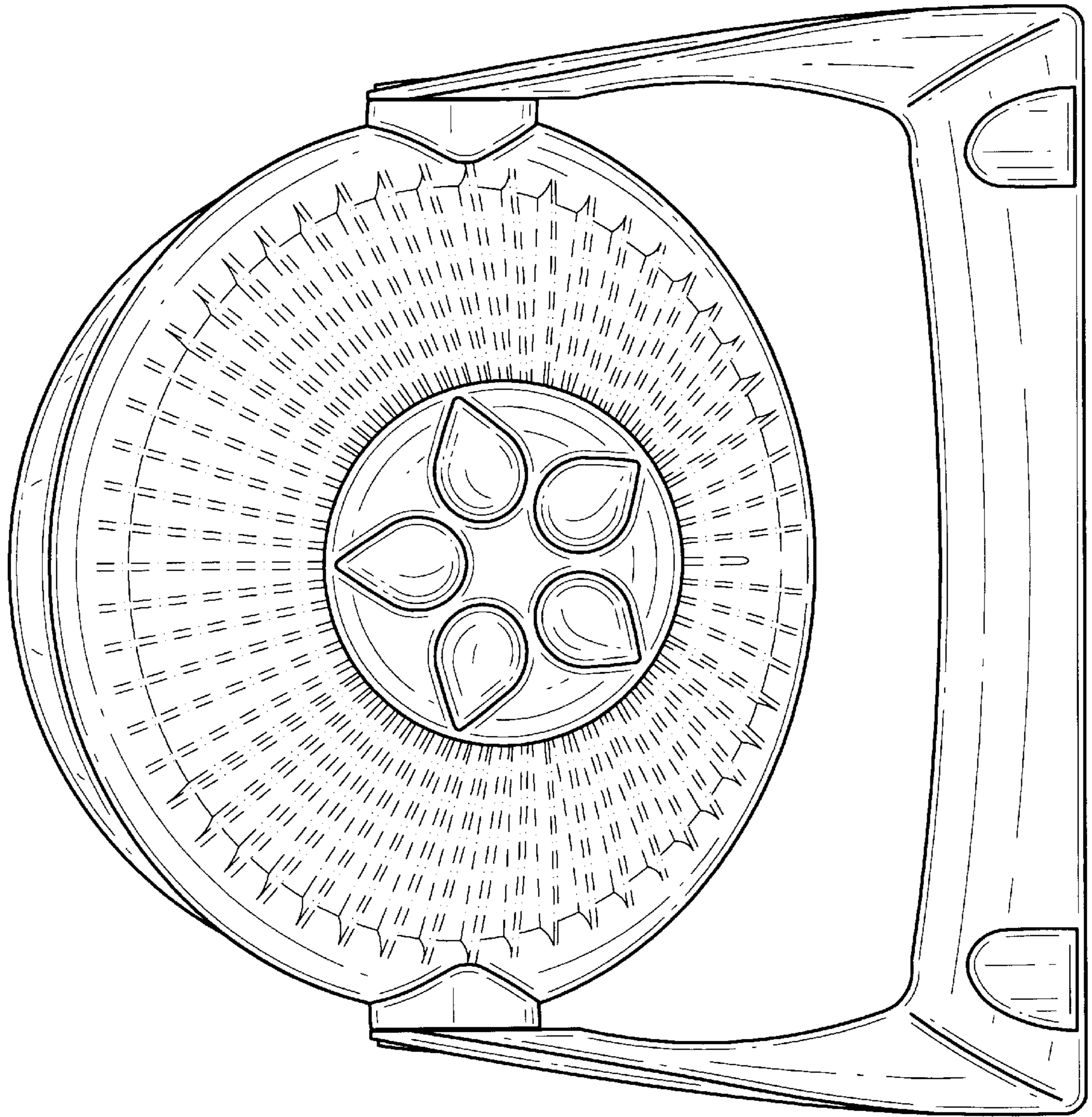


FIG-5