



US00D433495S

# United States Patent [19] Segers

[11] **Patent Number: Des. 433,495**

[45] **Date of Patent: \*\* Nov. 7, 2000**

[54] **KITCHEN VENTILATOR HOOD**

D. 380,823 7/1997 LaZar ..... D23/372  
D. 390,648 2/1998 Woodall, III ..... D23/372  
D. 392,380 3/1998 Schrank et al. .... D23/372

[75] Inventor: **Hermann-Reinhard Segers**, München, Germany

[73] Assignee: **BSH Bosch und Siemens Hausgeraete GmbH**, Munich, Germany

*Primary Examiner*—Mitchell Siegel  
*Attorney, Agent, or Firm*—Herbert L. Lerner; Laurence A. Greenberg; Werner H. Stemer

[\*\*] Term: **14 Years**

[57] **CLAIM**

[21] Appl. No.: **29/104,485**

The ornamental design for kitchen ventilator hood, as shown and described.

[22] Filed: **May 6, 1999**

[30] **Foreign Application Priority Data**

**DESCRIPTION**

Nov. 4, 1998 [DE] Germany ..... 4 98 10 830

[51] **LOC (7) Cl.** ..... **23-04**

[52] **U.S. Cl.** ..... **D23/372**

[58] **Field of Search** ..... D23/370, 371, D23/372, 390; 126/299 R, 299 D; 454/67

FIG. 1 is a perspective, side view of a kitchen hood; FIG. 2 is a left-side front perspective view thereof; and, FIG. 3 is a right-side front perspective view thereof.

The drawing is lined for the color black.

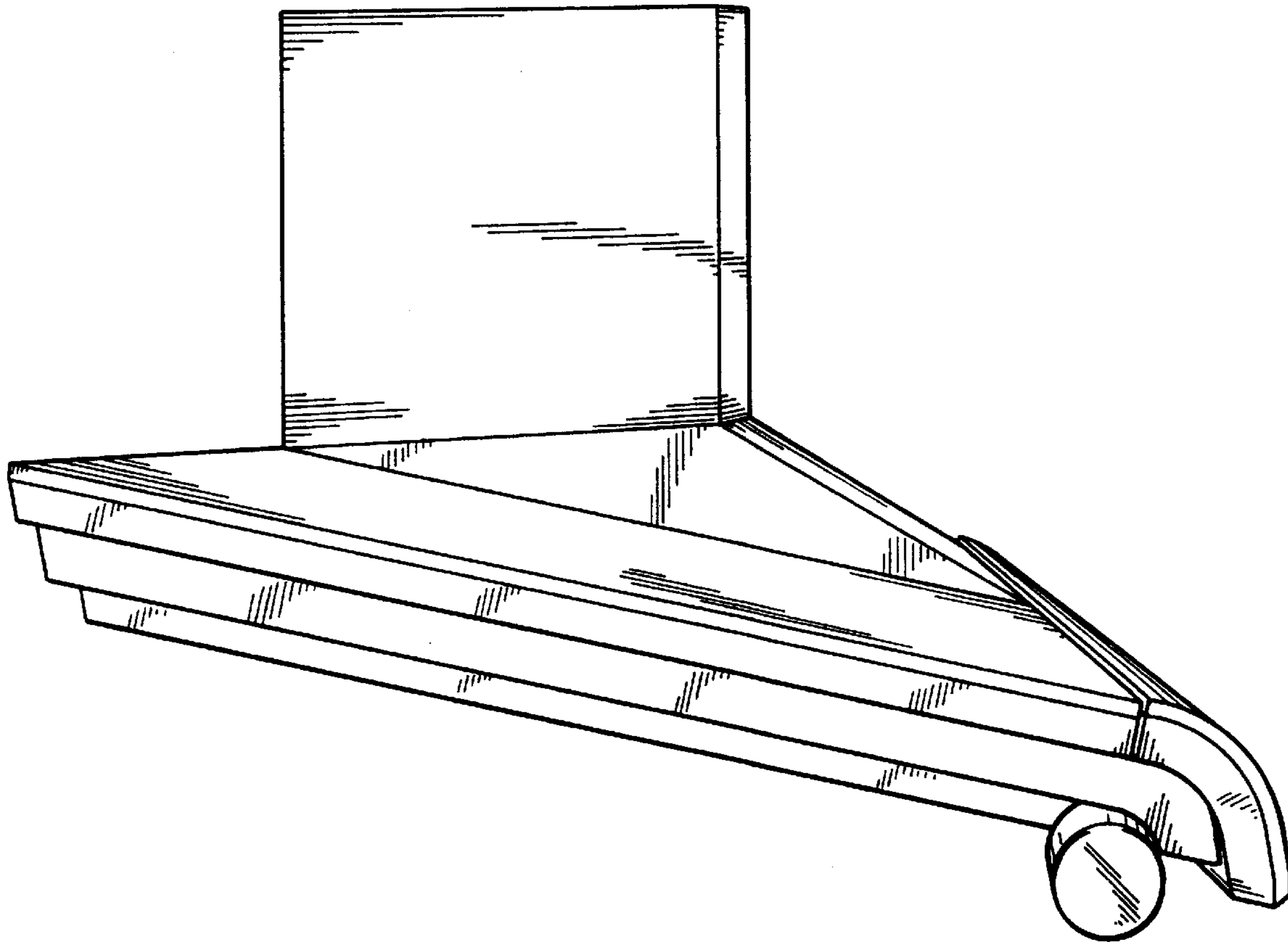
The rear and the bottom of the device are not being claimed.

[56] **References Cited**

**U.S. PATENT DOCUMENTS**

D. 379,501 5/1997 Alrosa et al. .... D23/372

**1 Claim, 3 Drawing Sheets**



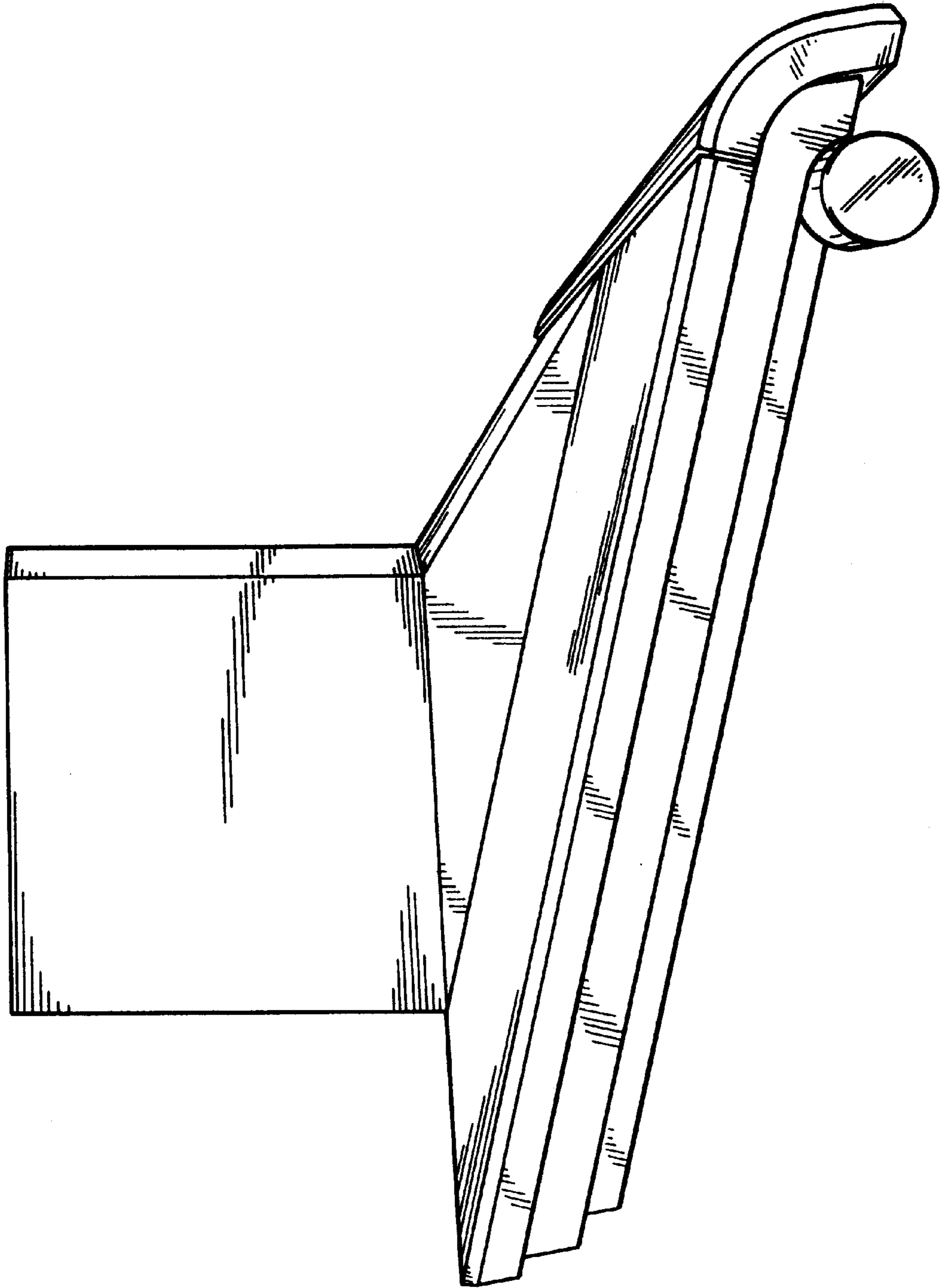
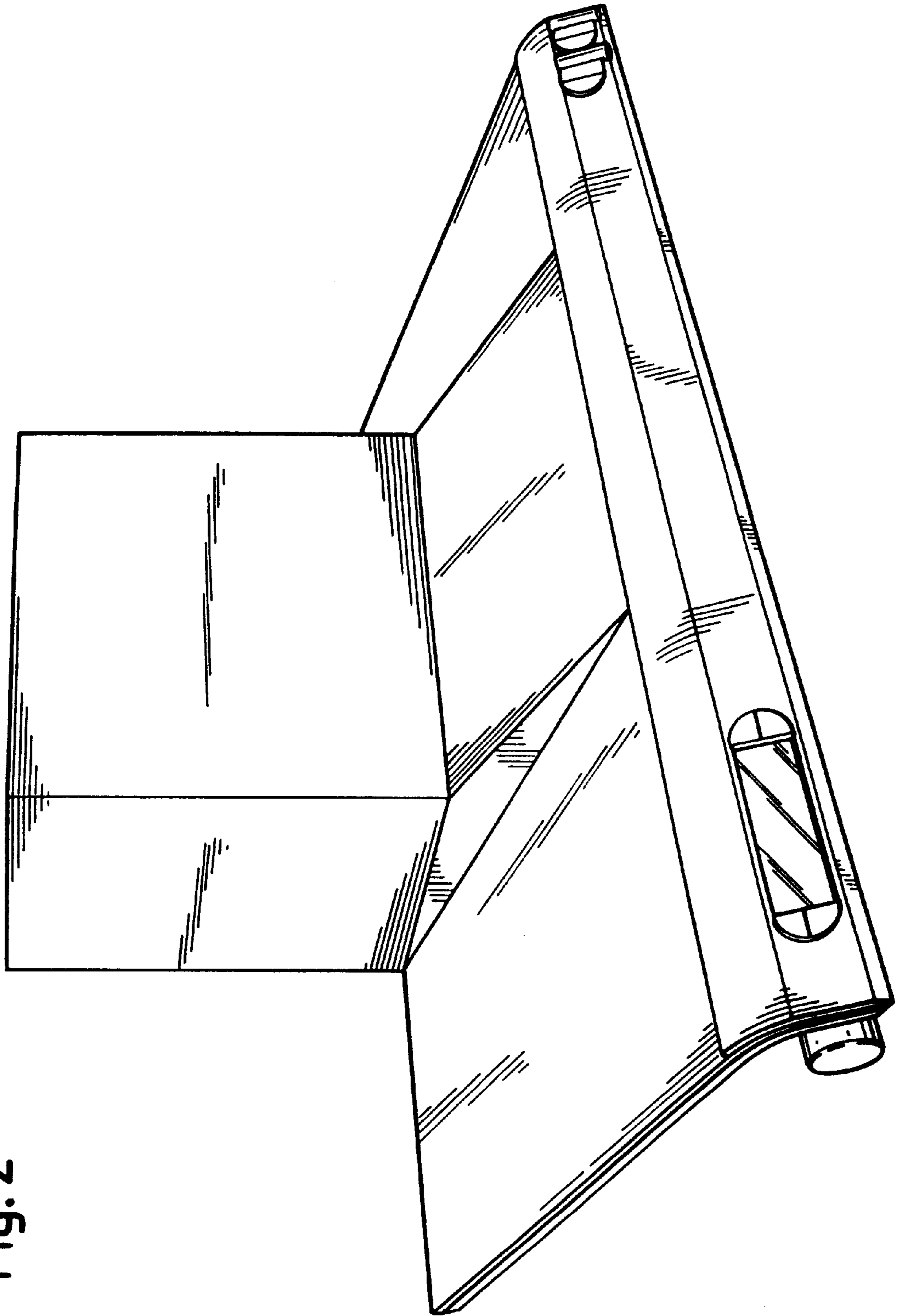


Fig. 1

Fig. 2



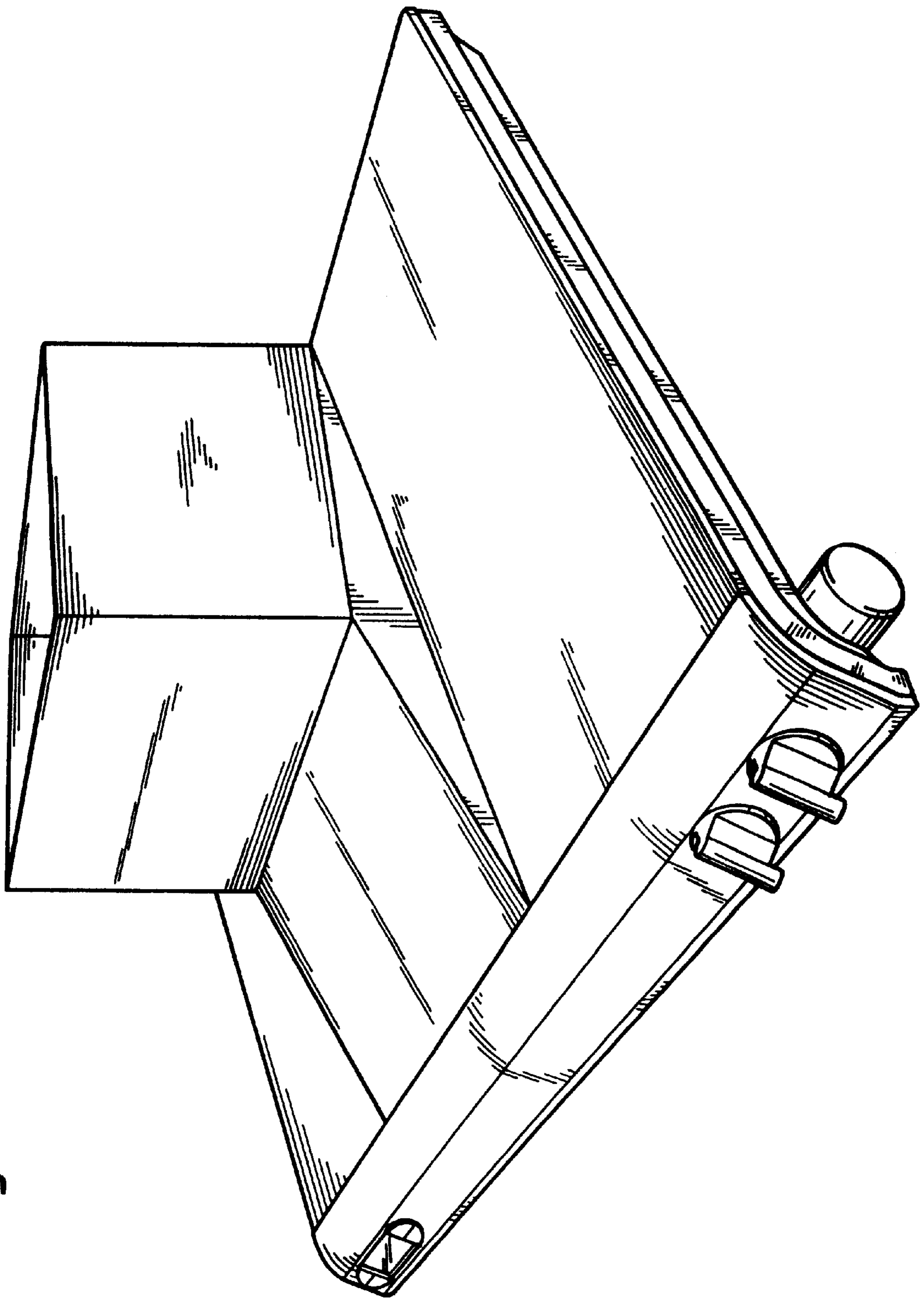


Fig. 3