



US00D433491S

# United States Patent [19] Kinghorn

[11] **Patent Number: Des. 433,491**

[45] **Date of Patent: \*\* Nov. 7, 2000**

[54] **OAK TOILET TANK COVER**

[75] Inventor: **Ronald Paul Kinghorn**, Annapolis  
County, Canada

[73] Assignee: **Ronald P. Kinghorn**, Annapolis Royal,  
Canada

[\*\*] Term: **14 Years**

[21] Appl. No.: **29/035,140**

[22] Filed: **Feb. 21, 1995**

[30] **Foreign Application Priority Data**

May 24, 1994 [CA] Canada ..... 1994-0984

[51] **LOC (7) Cl.** ..... **23-02**

[52] **U.S. Cl.** ..... **D23/311**

[58] **Field of Search** ..... D23/303, 309,  
D23/313; 4/416, 329, DIG. 18, 353; 29/401.1

[56] **References Cited**

**U.S. PATENT DOCUMENTS**

D. 237,886 12/1975 Korol ..... D23/313

D. 311,771 10/1990 Smith ..... D23/313  
D. 348,311 6/1994 Witzig ..... D23/313  
2,426,303 8/1947 Graber ..... D23/309 X  
5,073,998 12/1991 Wood, Jr. et al. .... 4/249

*Primary Examiner*—Eric Watterson

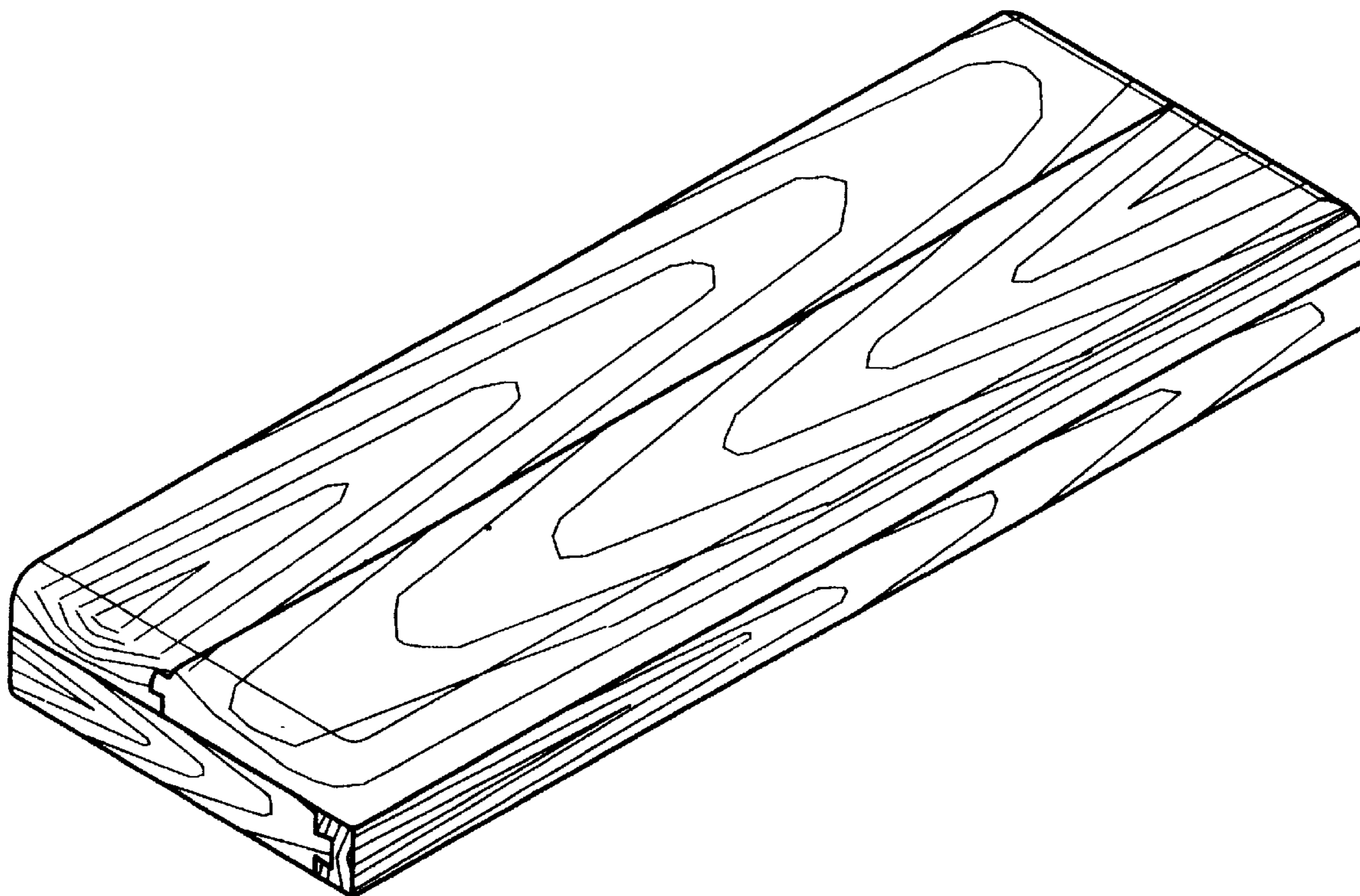
[57] **CLAIM**

The ornamental design for a oak toilet tank cover, as shown and described.

**DESCRIPTION**

FIG. 1 is a top front perspective view of a oak toilet tank cover, showing my new design;  
FIG. 2 is a bottom perspective view thereof;  
FIG. 3 is a top plan view thereof;  
FIG. 4 is a bottom plan view thereof;  
FIG. 5 is a rear elevational view thereof;  
FIG. 6 is a side elevational view, the opposite side being a mirror image thereof; and,  
FIG. 7 is a top rear perspective view thereof.

**1 Claim, 3 Drawing Sheets**



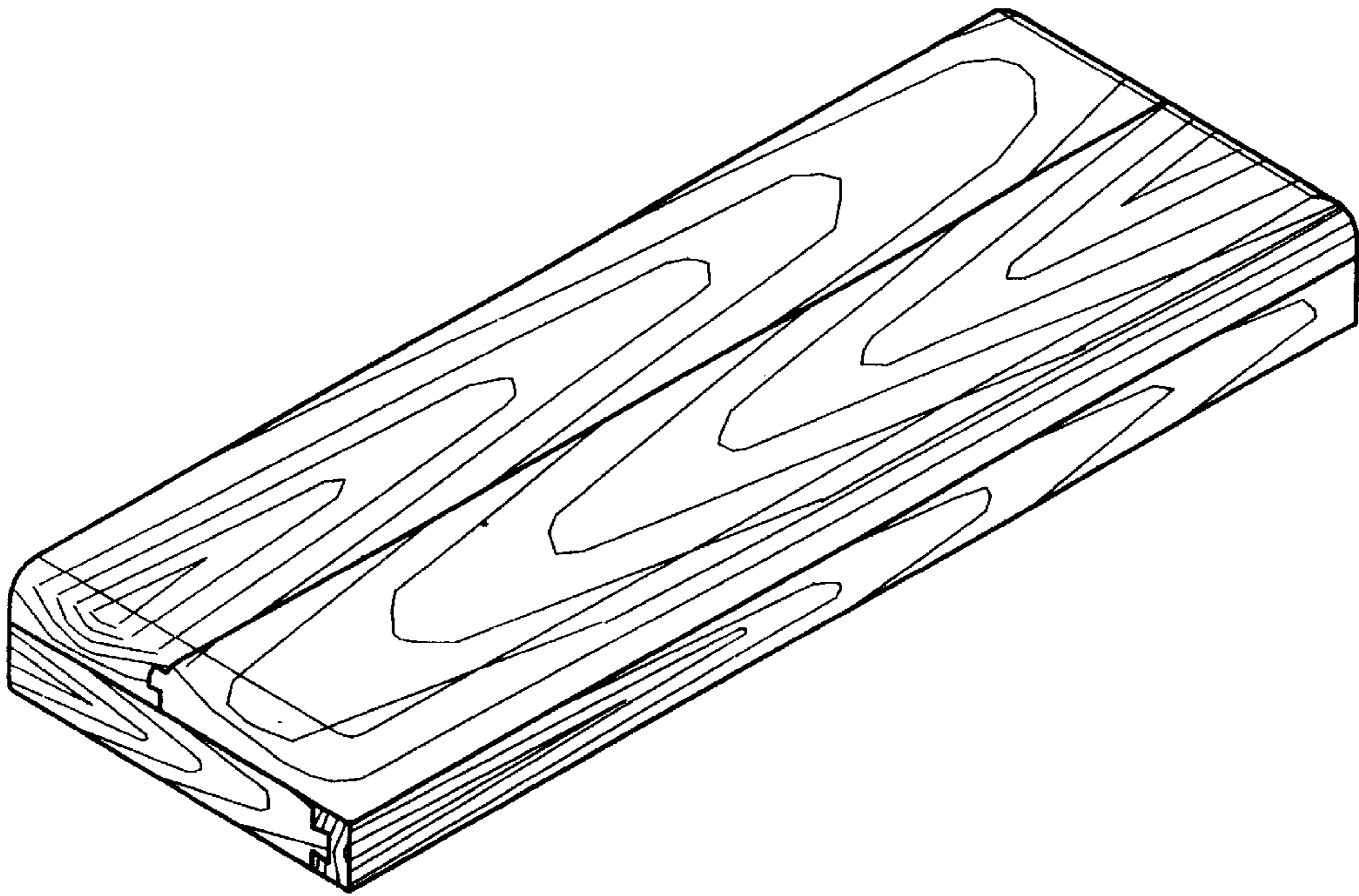


FIG. 1

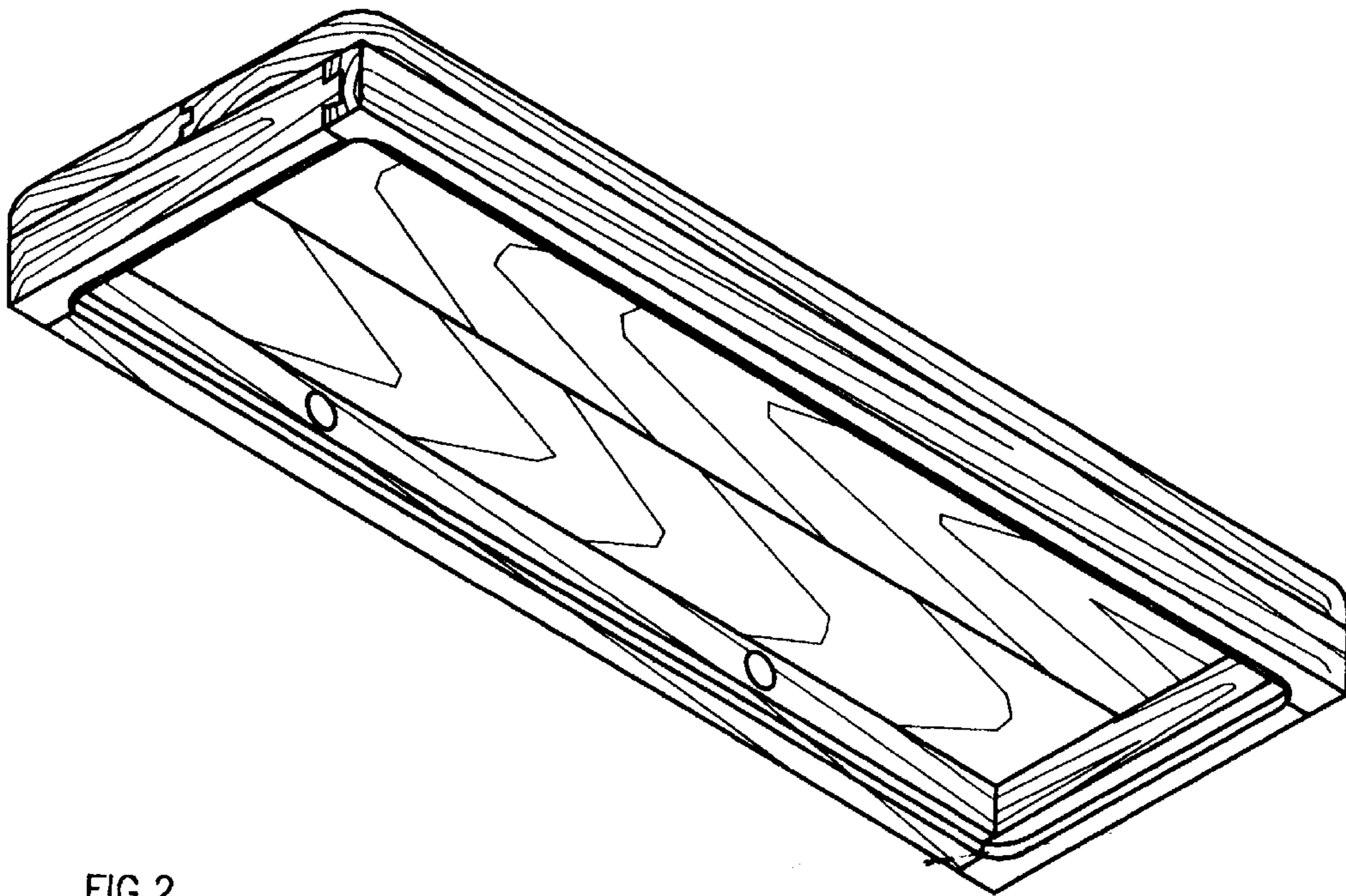


FIG. 2

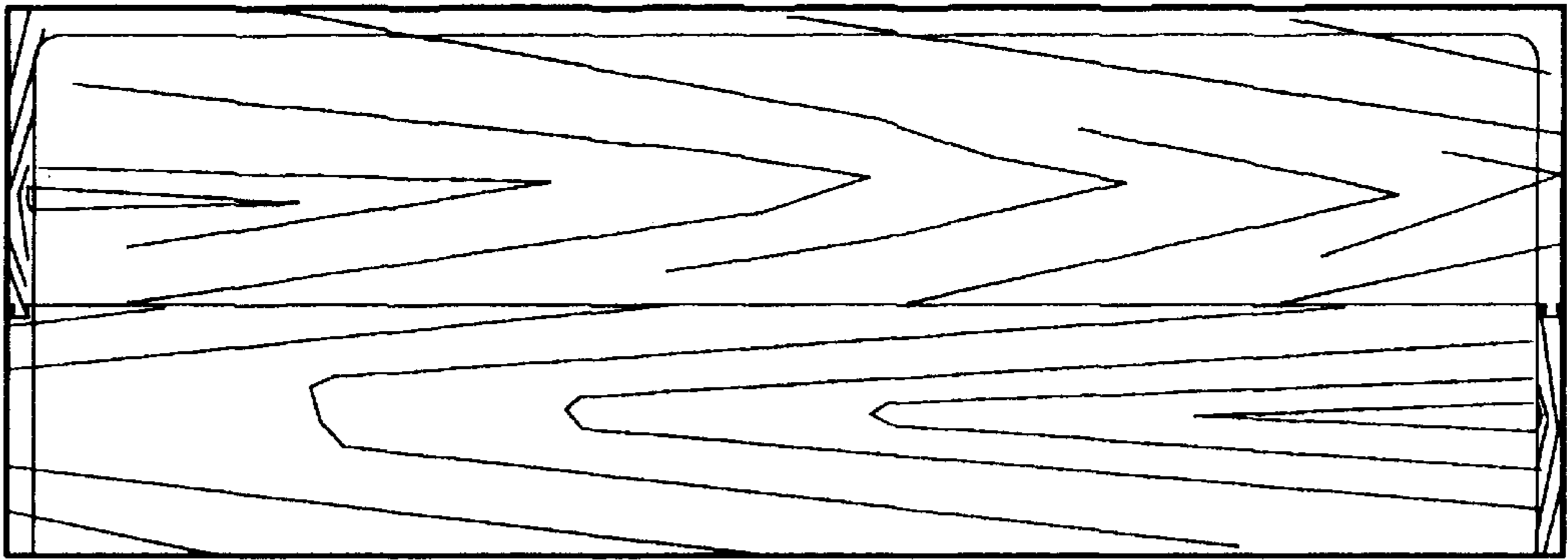


FIG. 3

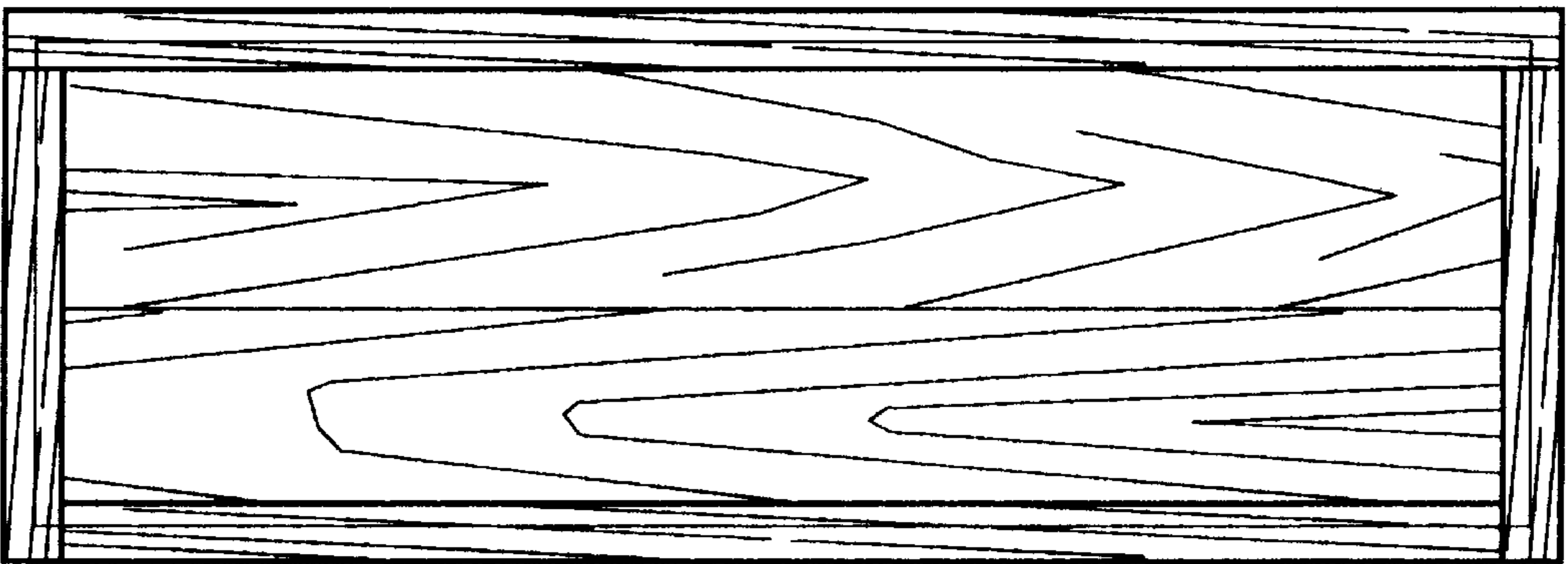


FIG. 4

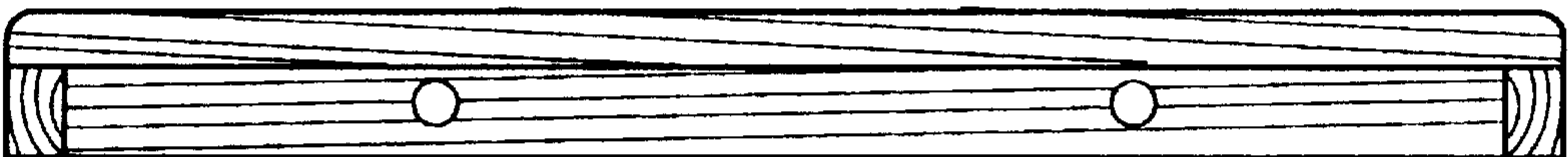


FIG. 5

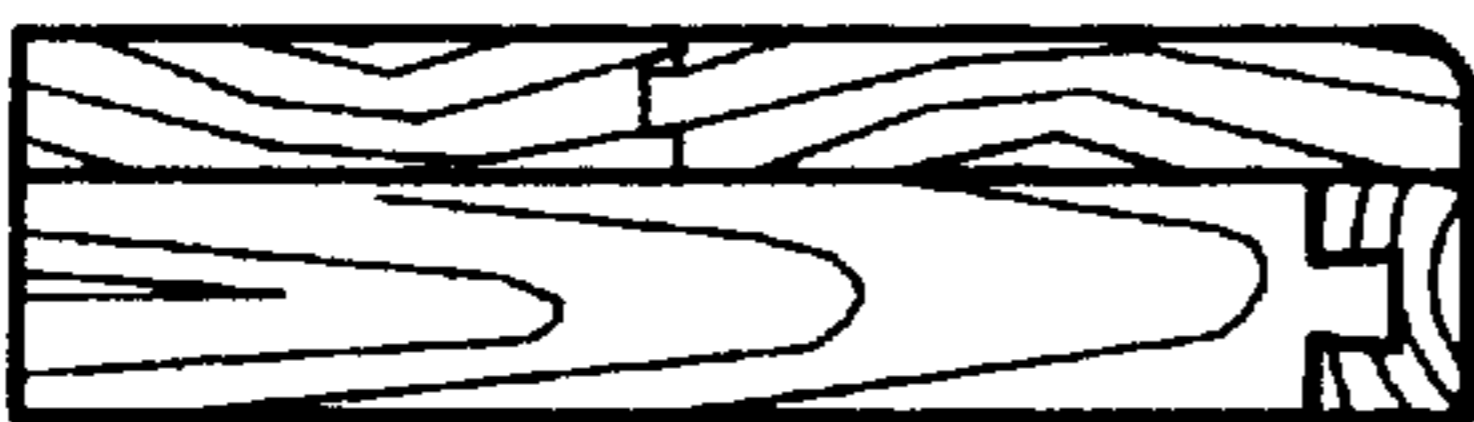


FIG. 6

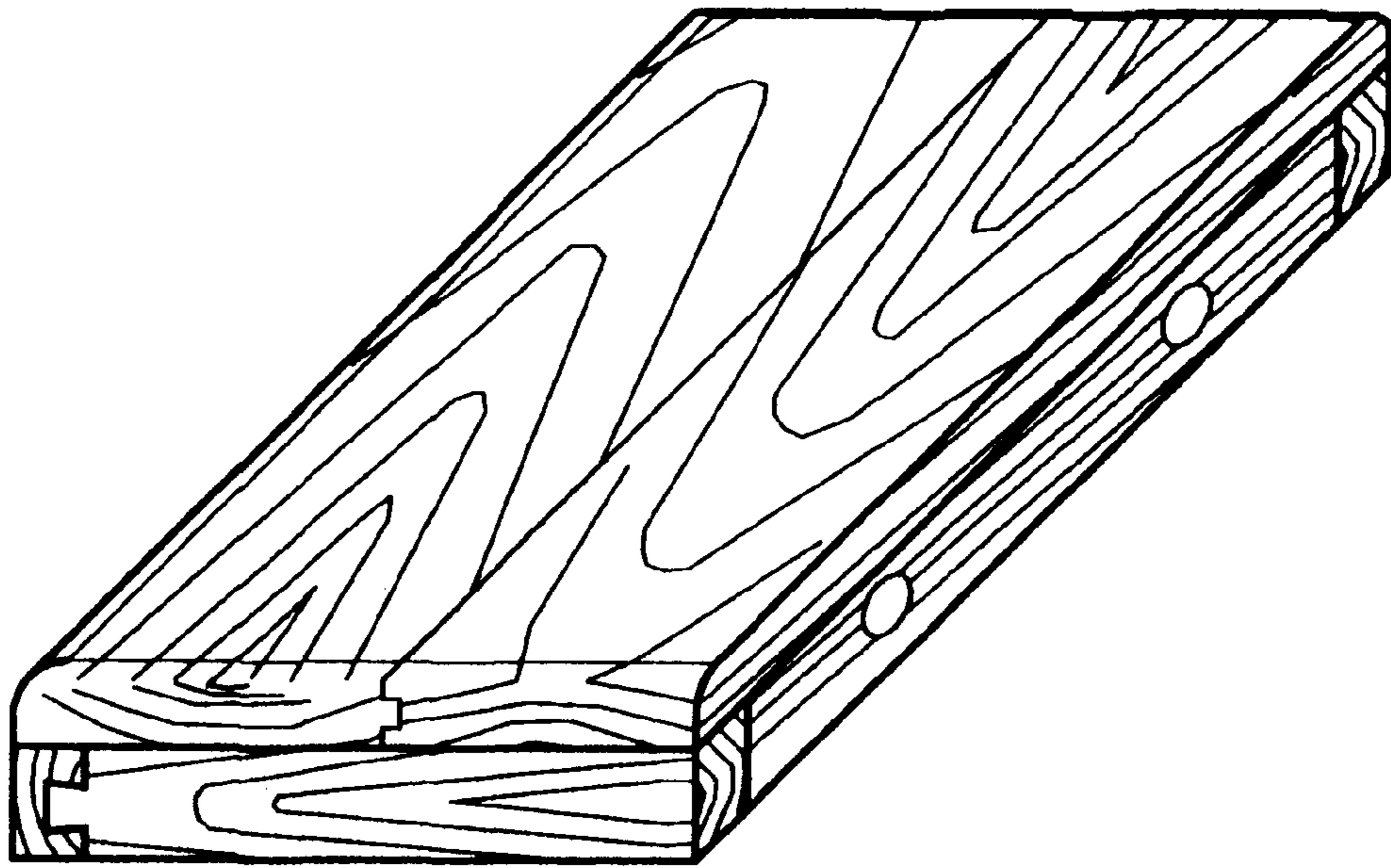


FIG. 7