



US00D433489S

# United States Patent [19]

[11] **Patent Number: Des. 433,489**

**Burns et al.**

[45] **Date of Patent: \*\* Nov. 7, 2000**

[54] **SHOWER DIVERTER CONTROL**

[75] Inventors: **Leonard J. Burns**, Amherst; **Lizabeth Dretzka**, Cleveland; **Thomas A. Frisco**, Brecksville; **Shannon Thomas**, Streetsboro, all of Ohio

[73] Assignee: **Moen Incorporated**, North Olmsted, Ohio

[\*\*] Term: **14 Years**

[21] Appl. No.: **29/119,264**

[22] Filed: **Feb. 28, 2000**

[51] **LOC (7) Cl.** ..... **23-01**

[52] **U.S. Cl.** ..... **D23/254**

[58] **Field of Search** ..... D23/238-257; D8/300-308, 350-354; 4/675-678; 137/801

- D. 284,990 8/1986 Ogilvie .
- D. 284,991 8/1986 Ogilvie .
- D. 285,105 8/1986 Ogilvie .
- D. 285,107 8/1986 Ogilvie .
- D. 285,108 8/1986 Ogilvie .
- D. 285,245 8/1986 Ogilvie .
- D. 287,161 12/1986 Piesco .
- D. 287,162 12/1986 Piesco .
- D. 291,239 8/1987 Haug et al. .... D23/252
- D. 337,813 7/1993 Levien ..... D23/252
- D. 339,190 9/1993 Pieramico et al. .... D23/252
- D. 345,004 3/1994 Bengtson .
- D. 373,816 9/1996 Kolada .
- D. 375,785 11/1996 Spano et al. .... D23/252
- D. 385,336 10/1997 Kolada et al. .
- D. 406,638 3/1999 Powell et al. .
- D. 406,879 3/1999 Powell et al. .
- D. 411,732 6/1999 Chamberlain ..... D8/350

*Primary Examiner*—Louis S. Zarfaz  
*Assistant Examiner*—Gregory Andoll  
*Attorney, Agent, or Firm*—McEachran, Jambor, Keating, Bock & Kurtz

[56] **References Cited**

**U.S. PATENT DOCUMENTS**

- D. 41,494 6/1911 Seeley .
- D. 68,989 12/1925 Riehle .
- D. 93,624 10/1934 Kasch .
- D. 101,826 11/1936 Sinko .
- D. 143,807 2/1946 Eastham .
- D. 148,252 12/1947 Rausch .
- D. 151,199 9/1948 Thomssen .
- D. 152,441 1/1949 Thomssen .
- D. 186,422 10/1959 Kohler .
- D. 187,848 5/1960 Hulyk .
- D. 193,604 9/1962 Zeigler .
- D. 194,229 12/1962 Landell et al. .
- D. 209,804 1/1968 Landell et al. .
- D. 227,566 7/1973 Thorp .
- D. 227,568 7/1973 Thorp .

[57] **CLAIM**

The ornamental design for a shower diverter control, as shown and described.

**DESCRIPTION**

FIG. 1 is a front perspective view of our new design for a shower diverter control;  
FIG. 2 is a left side view thereof, the right side being the same as the left side;  
FIG. 3 is a front view thereof;  
FIG. 4 is a top view thereof;  
FIG. 5 is a bottom view thereof; and,  
FIG. 6 is a rear view thereof.

**1 Claim, 2 Drawing Sheets**

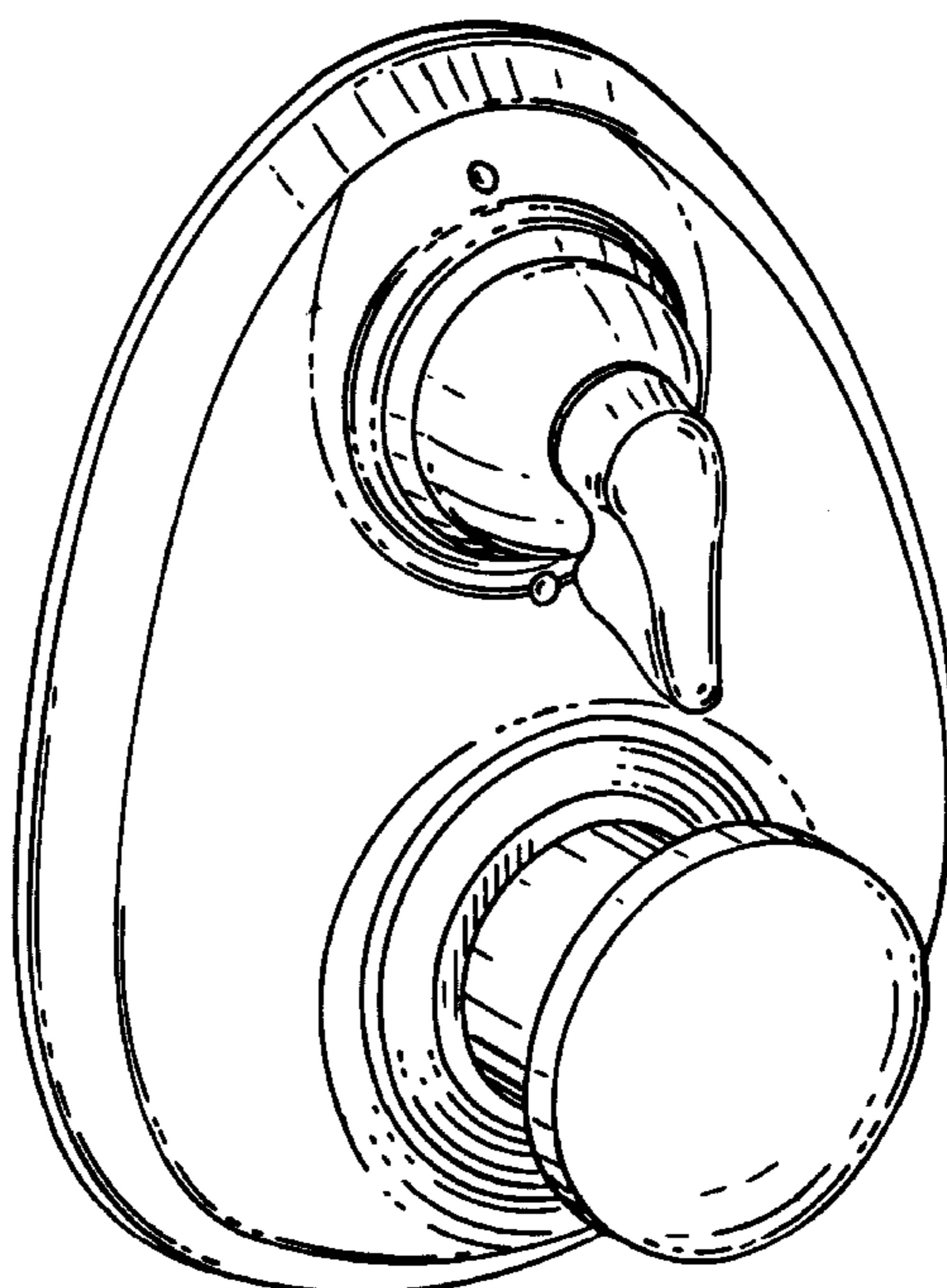


Fig. 1.

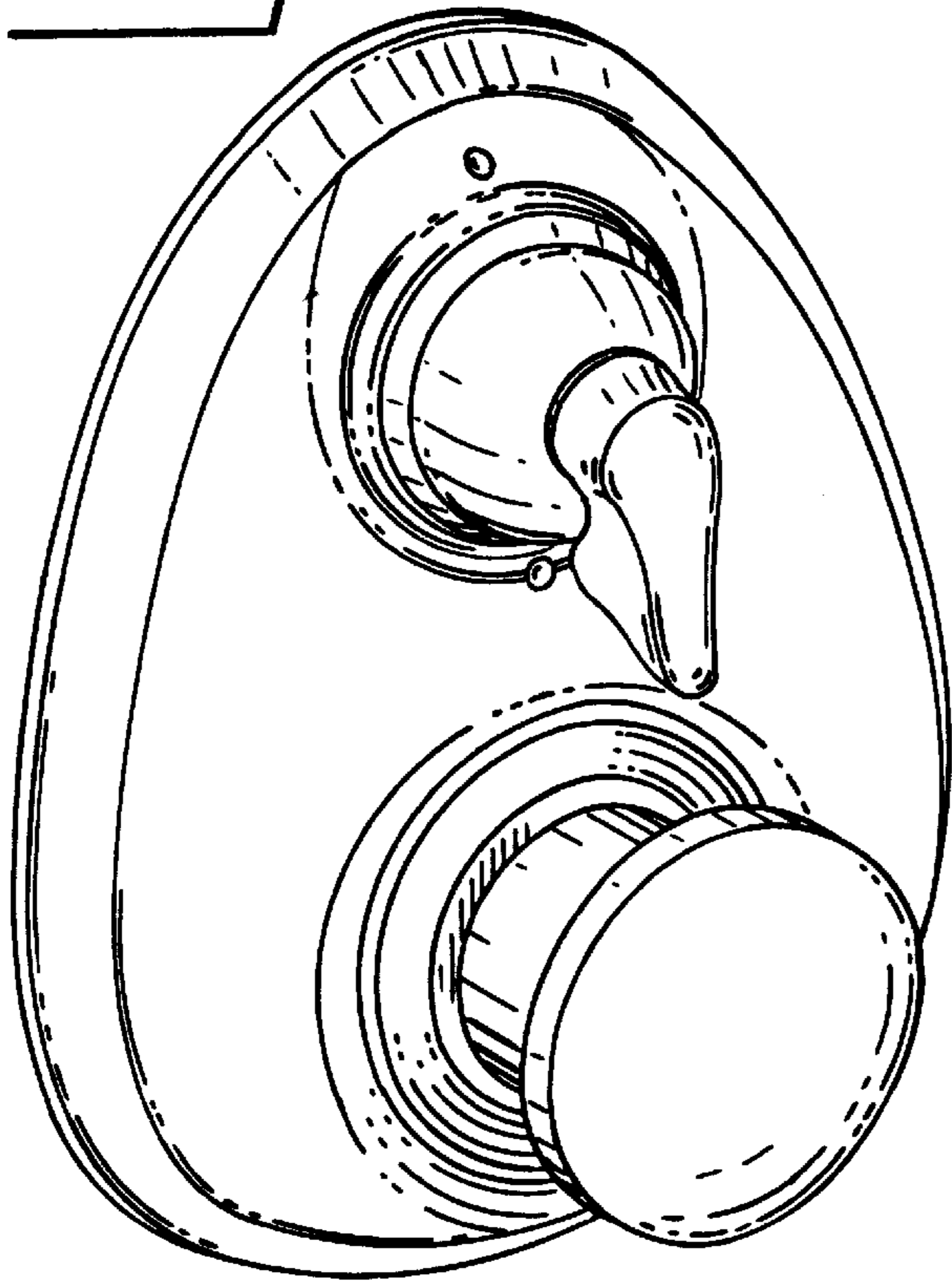


Fig. 2.

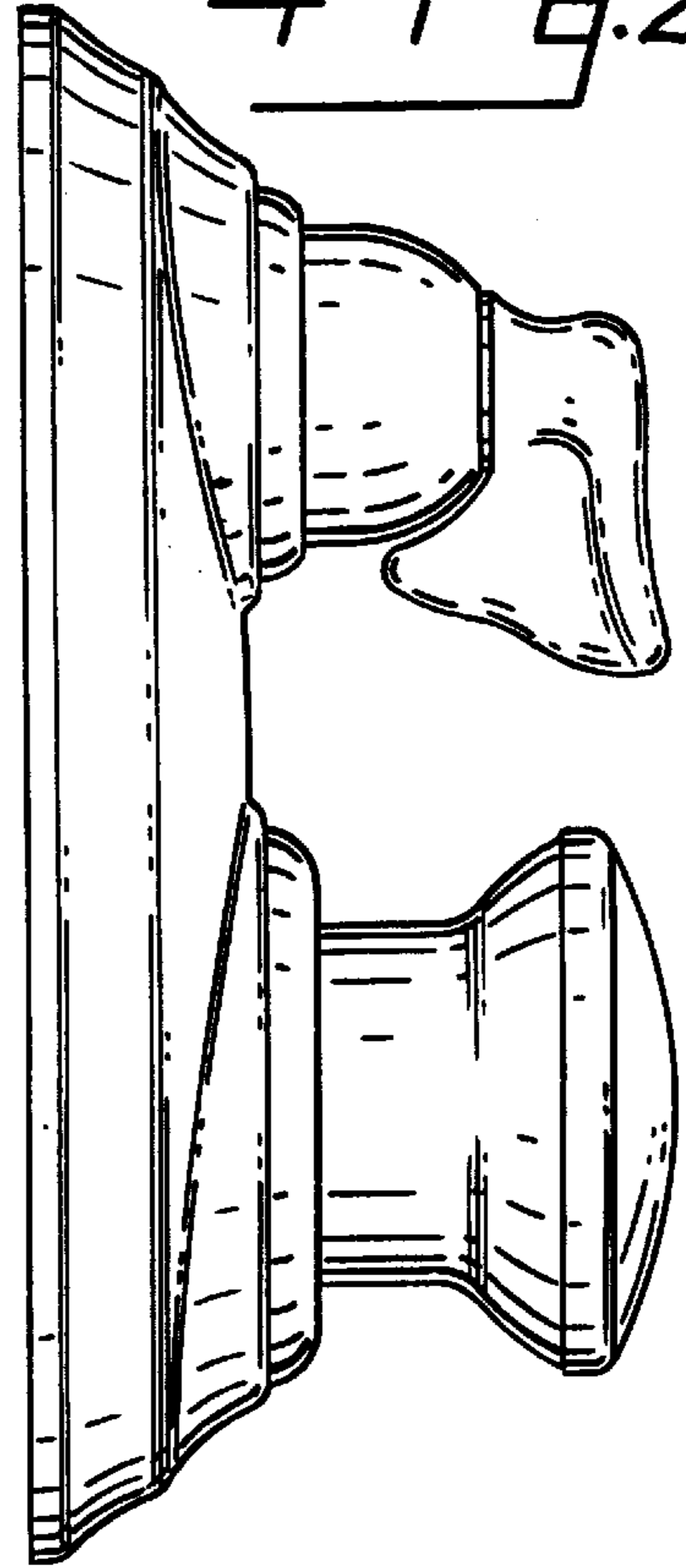
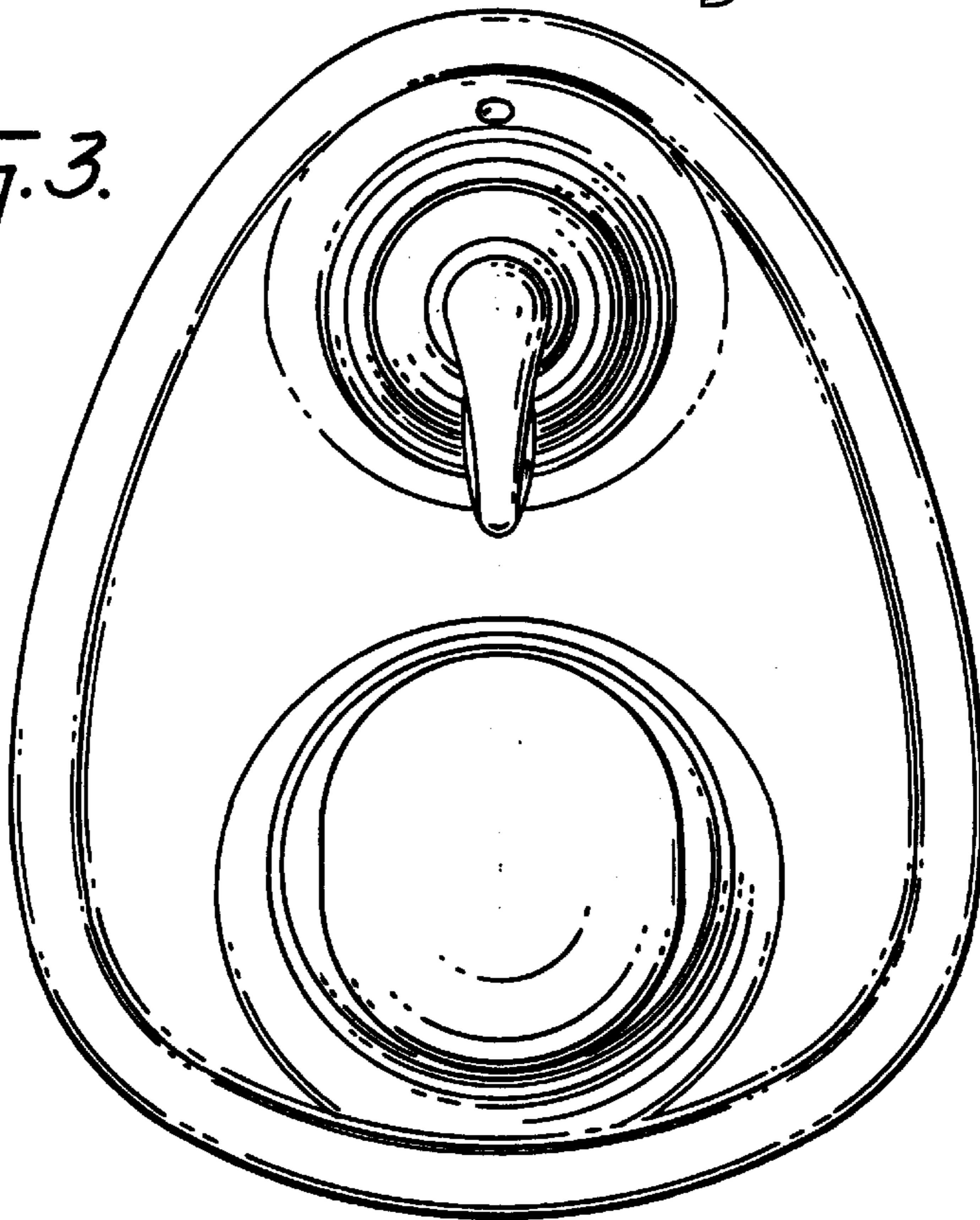


Fig. 3.



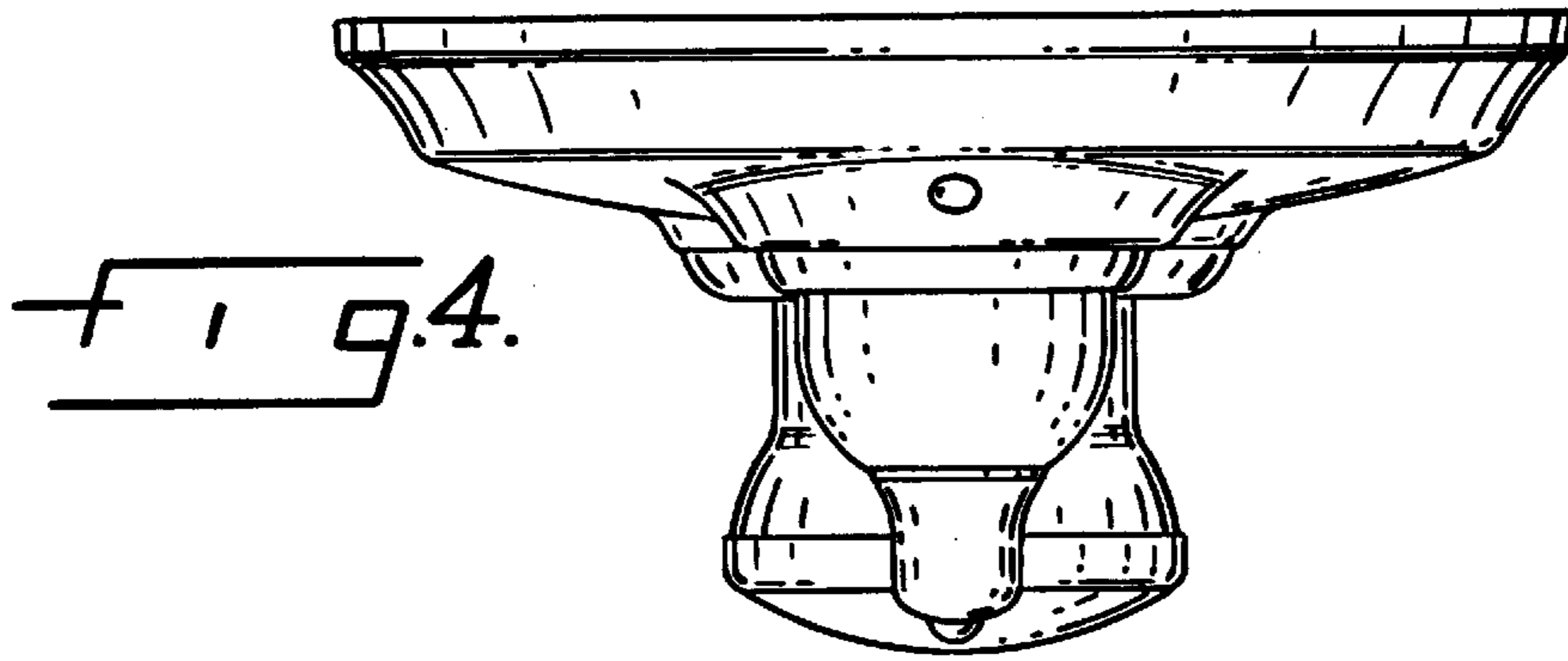


Fig. 4.

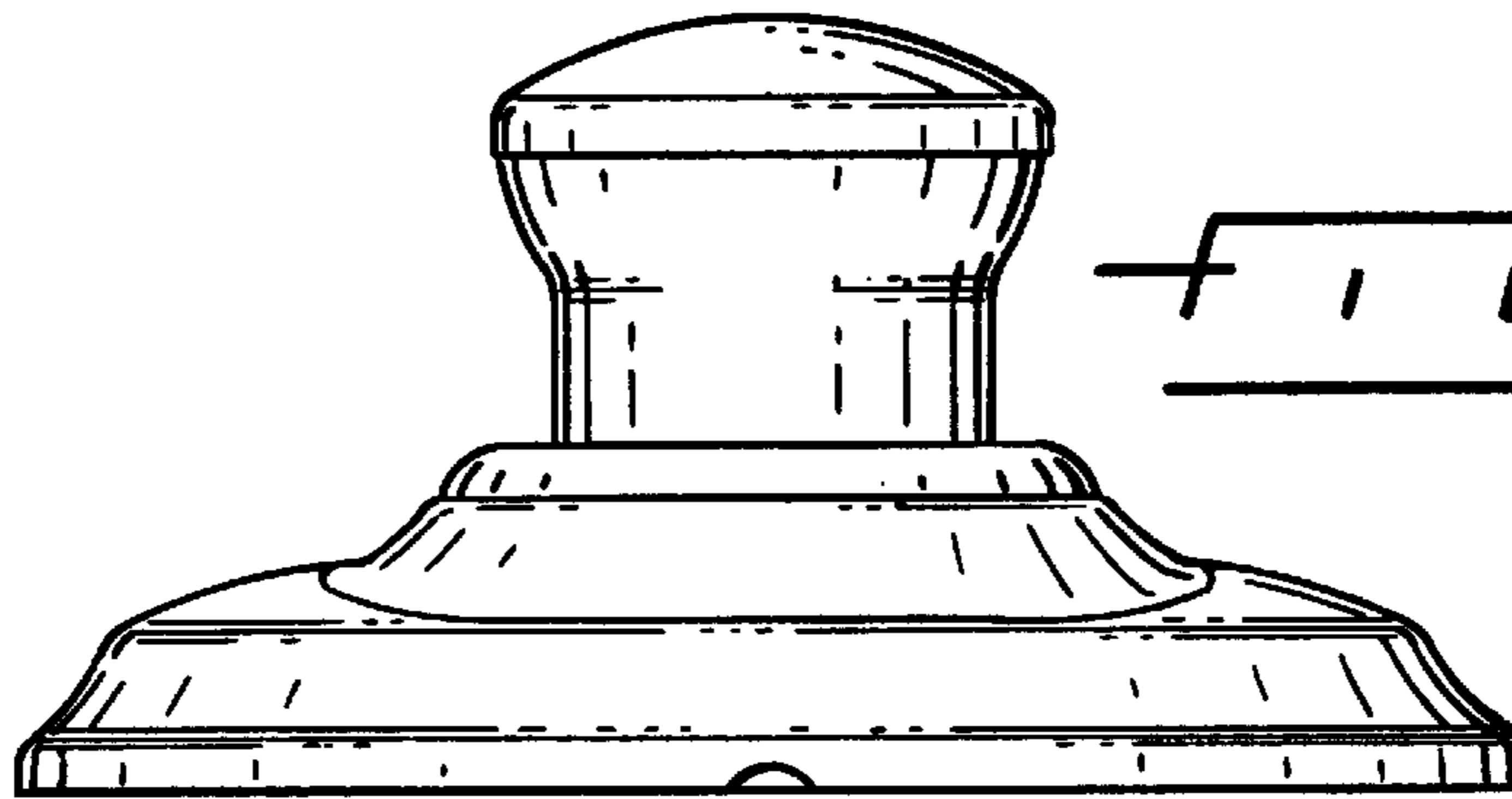


Fig. 5.

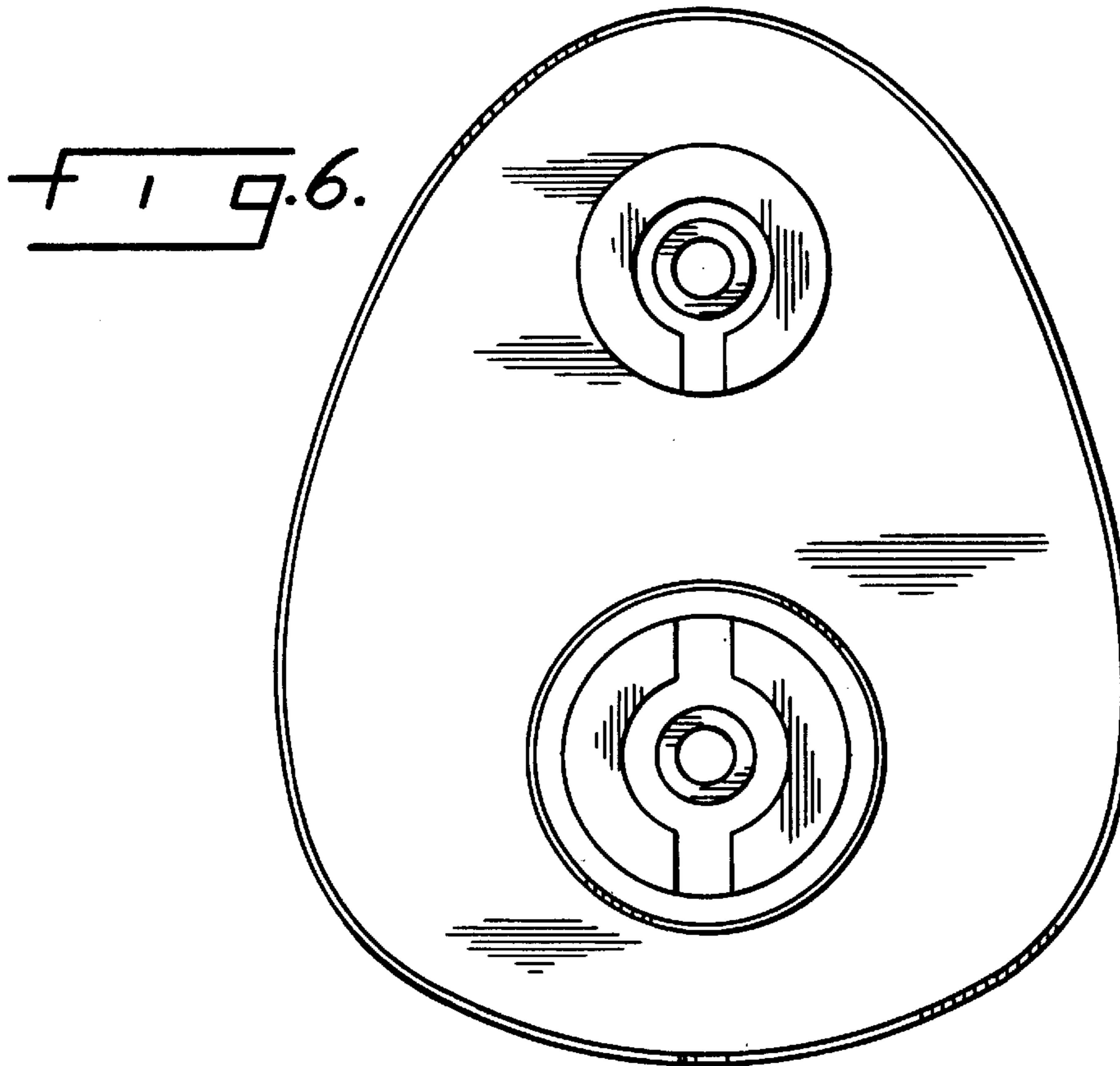


Fig. 6.