



US00D433483S

# United States Patent [19]

[11] **Patent Number: Des. 433,483**

**Paredes**

[45] **Date of Patent: \*\* Nov. 7, 2000**

[54] **FAUCET**

*Primary Examiner*—Louis S. Zarfes  
*Assistant Examiner*—Gregory Andoll  
*Attorney, Agent, or Firm*—Quarles & Brady LLP

[75] **Inventor: Raul M. Paredes, Barrington, Ill.**

[73] **Assignee: Kohler Co., Kohler, Wis.**

[57] **CLAIM**

[\*\*] **Term: 14 Years**

The ornamental design for a faucet, as shown and described.

[21] **Appl. No.: 29/109,424**

**DESCRIPTION**

[22] **Filed: Aug. 13, 1999**

In a preferred embodiment, the nature of this product is a plumbing faucet primarily useful for washing the face and hands of humans.

[51] **LOC (7) Cl. .... 23-01**

[52] **U.S. Cl. .... D23/241**

[58] **Field of Search .... D23/238-243,  
D23/250-257; 4/675-678; 137/801**

FIG. 1 is a left, top, front perspective view of a faucet embodying my new design;

FIG. 2 is a front elevational view thereof;

FIG. 3 is a right side elevational view thereof, the left side elevational view being a mirror image of the right side shown;

FIG. 4 is a top plan view thereof;

FIG. 5 is a rear elevational view thereof; and,

FIG. 6 is a bottom plan view thereof.

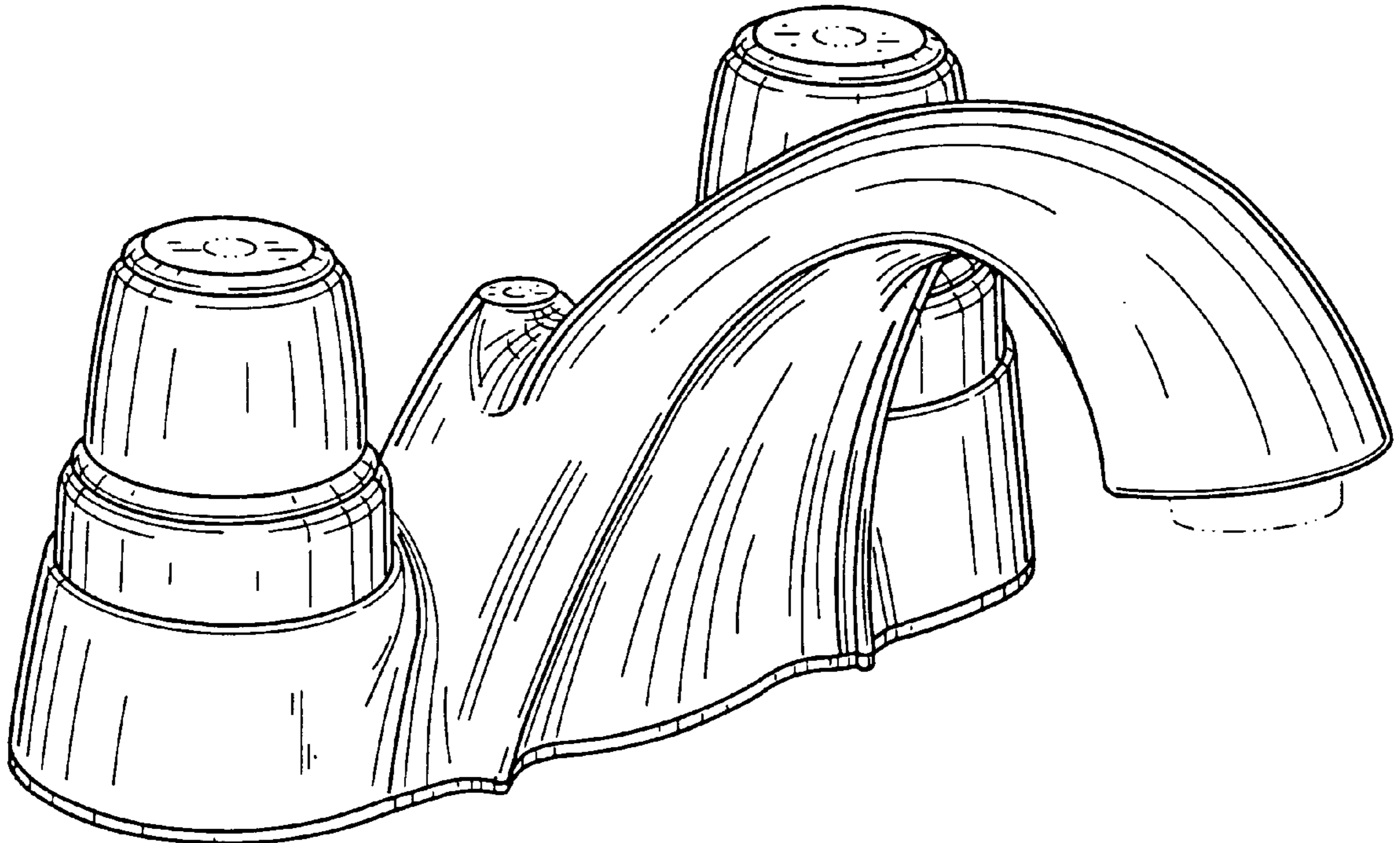
The broken line representations of holes in FIGS. 1, 4, and 6, aerators in FIGS. 1-3, and 6 and base pads in FIG. 6, are for the purpose of illustration only, and form no part of the claimed design.

[56] **References Cited**

**U.S. PATENT DOCUMENTS**

D. 276,645	12/1984	Piesco	.....	D23/241
D. 378,775	4/1997	Kergoet	.....	D23/250
D. 384,393	9/1997	Doughty et al.	.....	D23/241
D. 385,016	10/1997	Doughty et al.	.....	D23/241
D. 388,862	1/1998	Hill et al.	.....	D23/238
D. 397,424	8/1998	Ficken, Jr. et al.	.....	D23/241
D. 400,646	11/1998	Hill et al.	.....	D23/241
D. 422,342	4/2000	Mark et al.	.....	D23/238

**1 Claim, 3 Drawing Sheets**



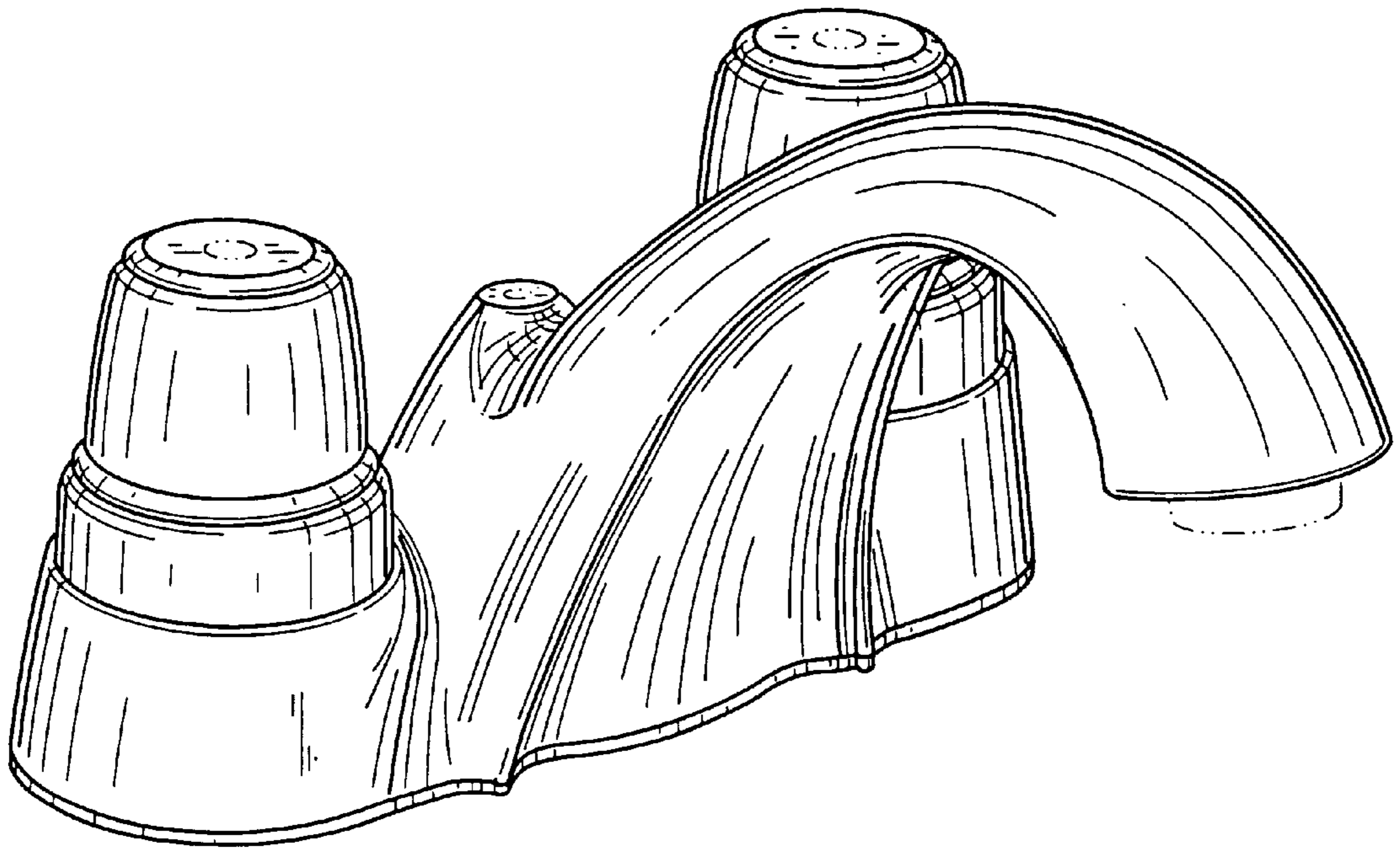


FIG. 1

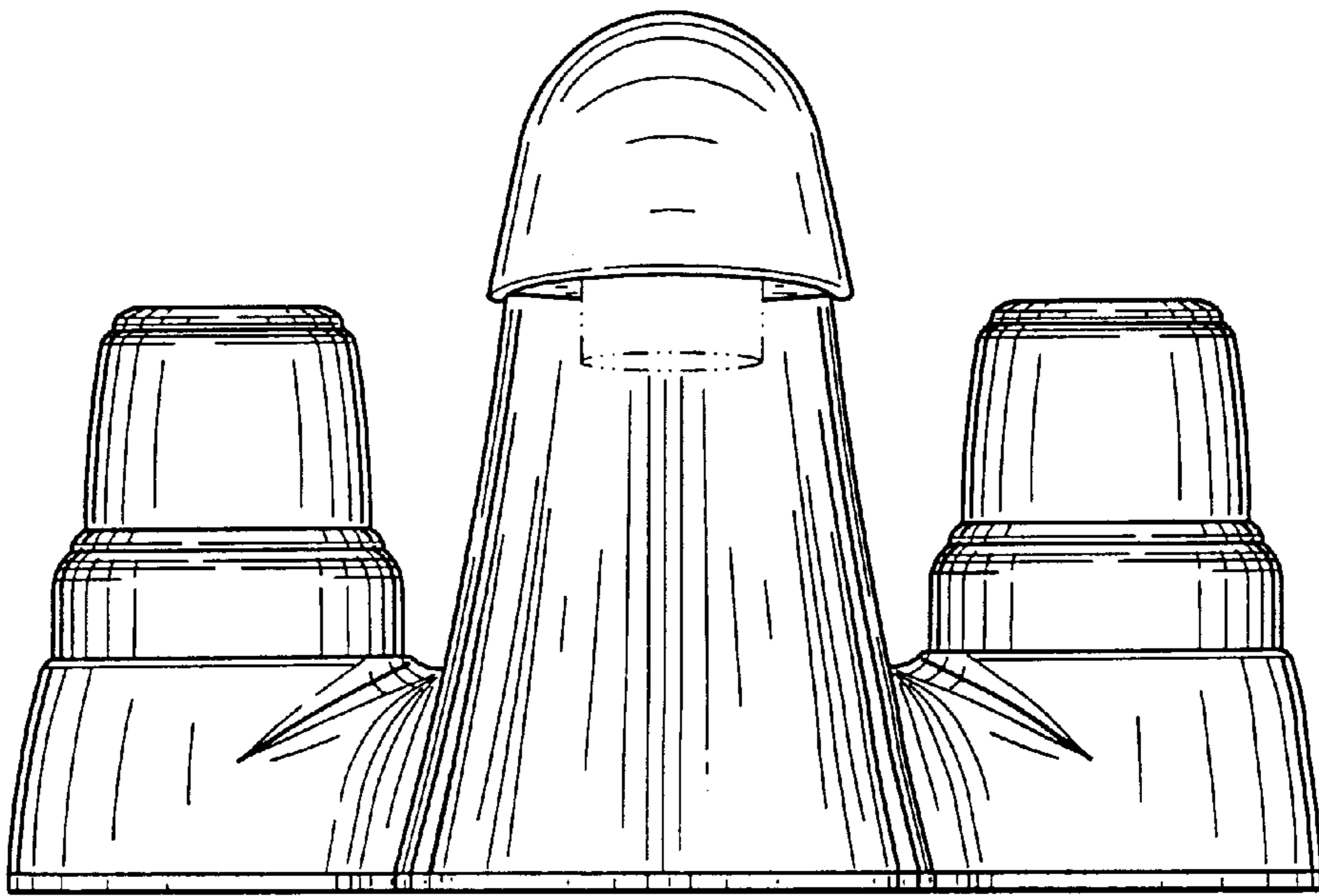


FIG. 2

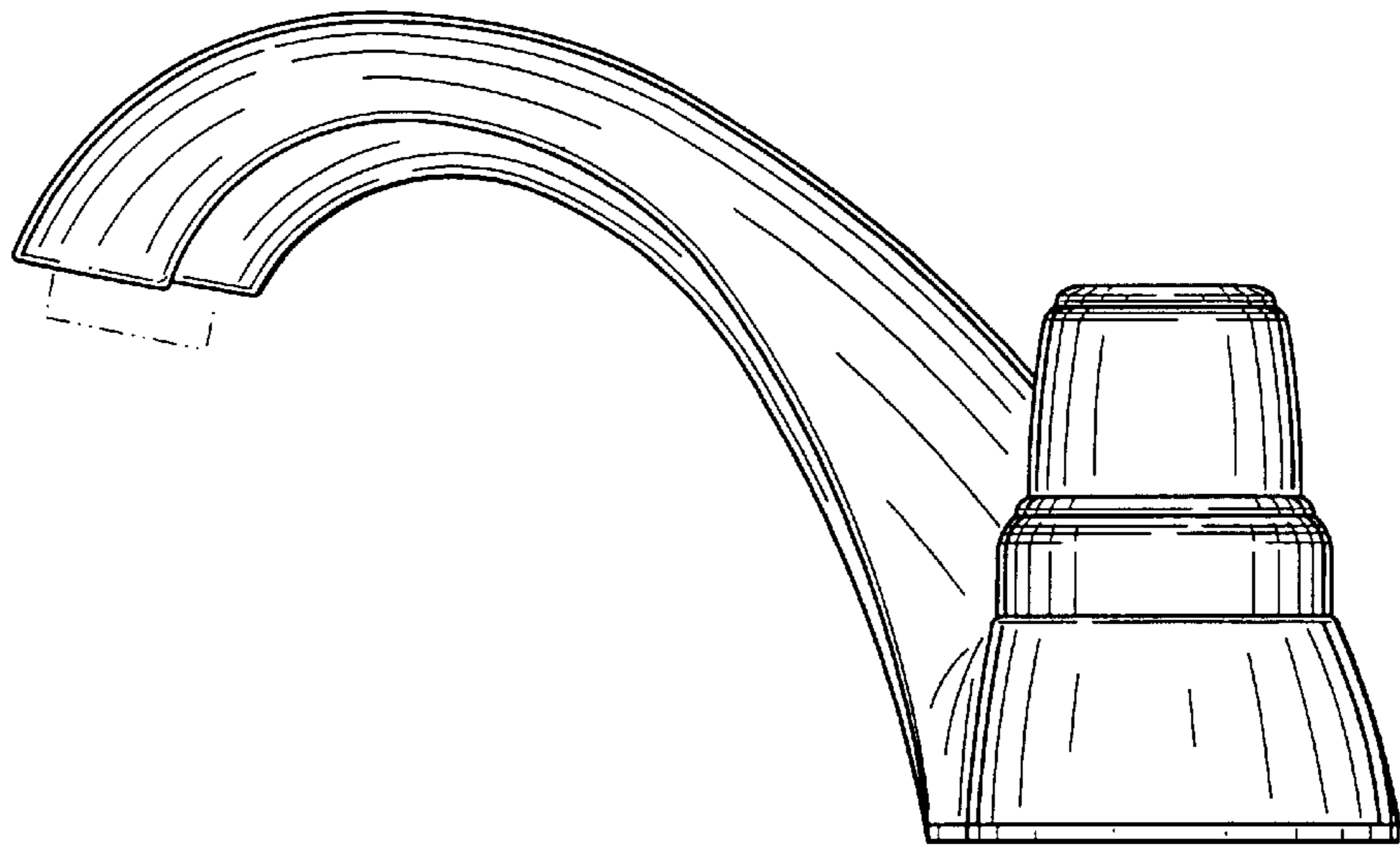
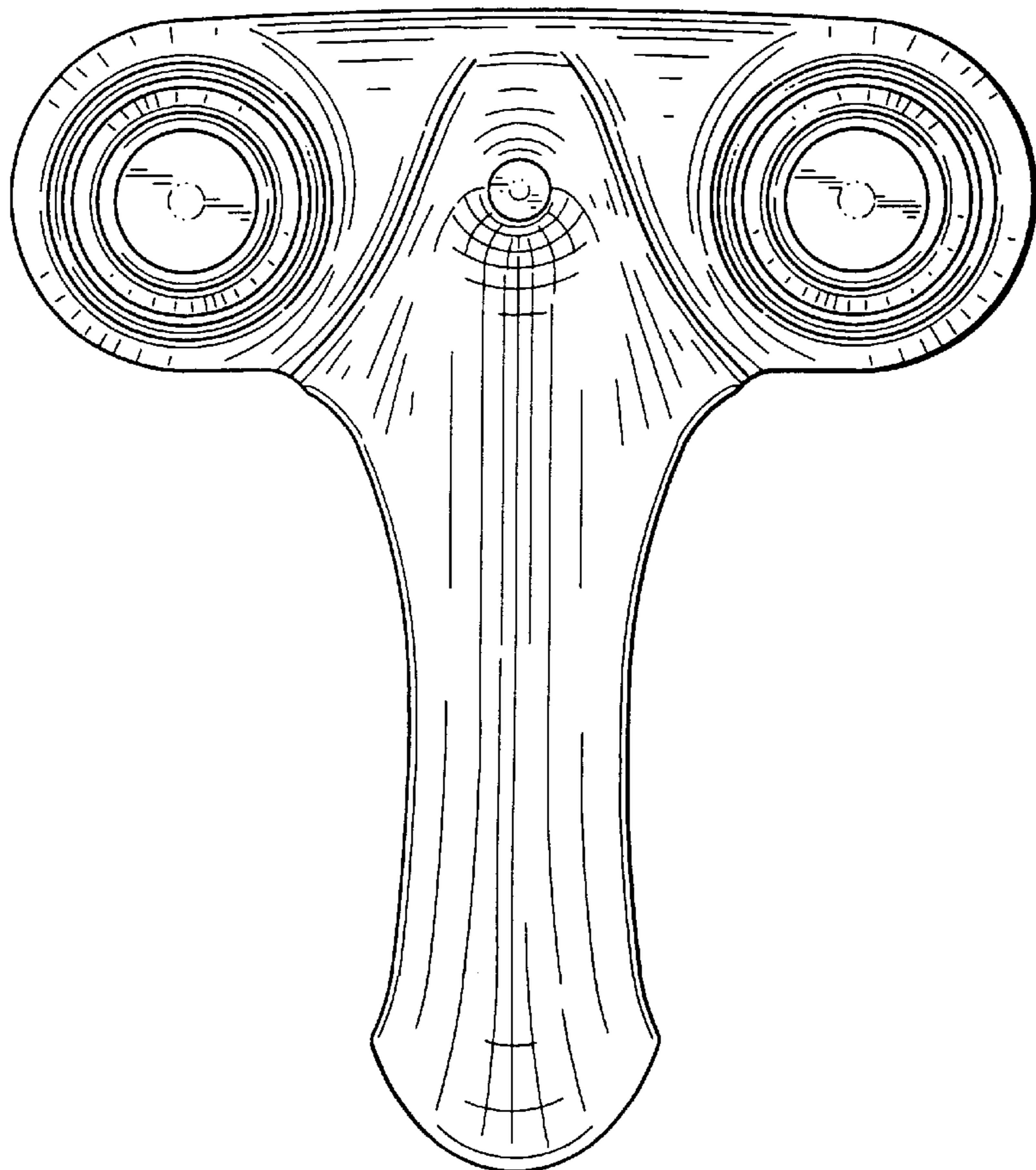


FIG. 3

FIG. 4



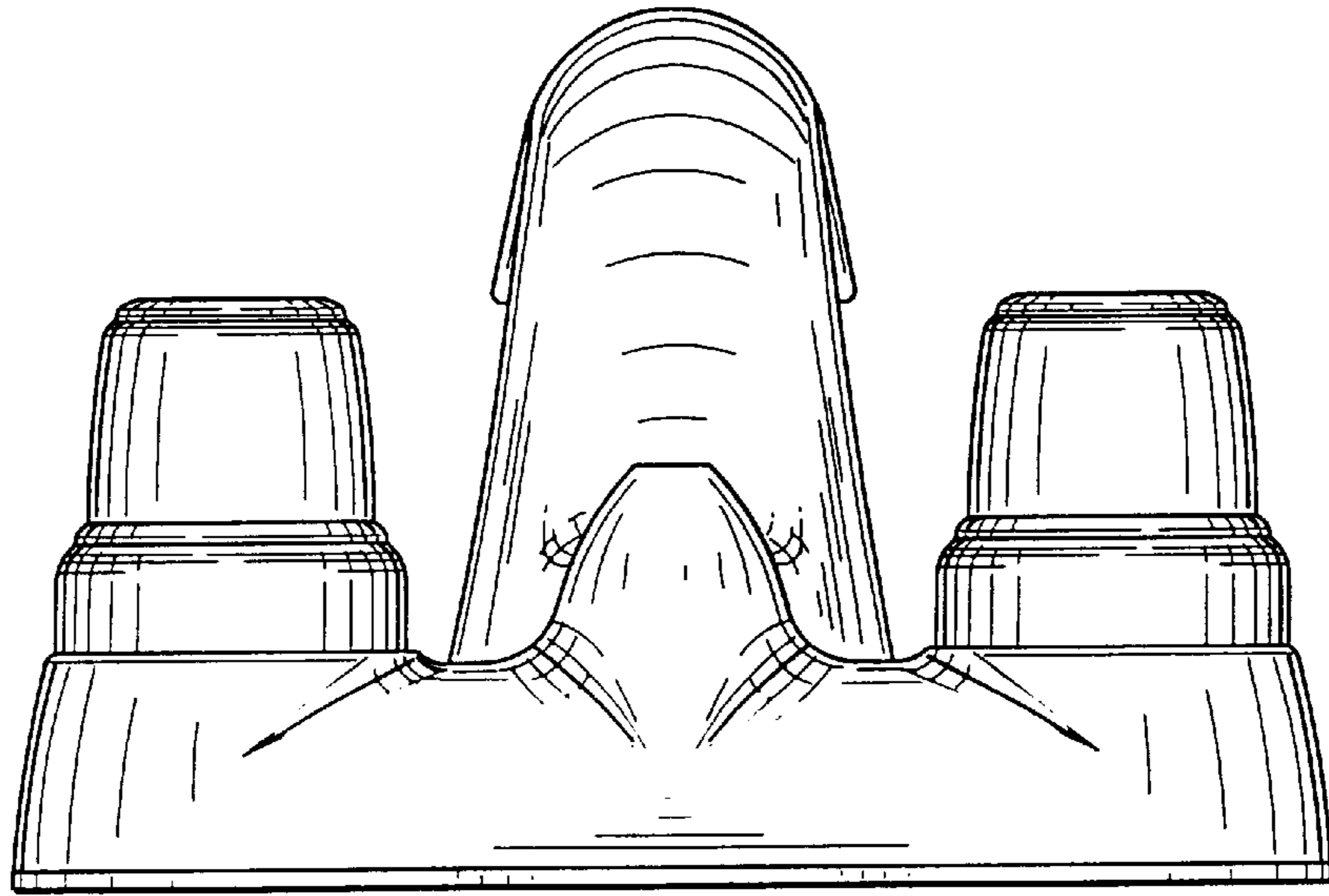


FIG. 5

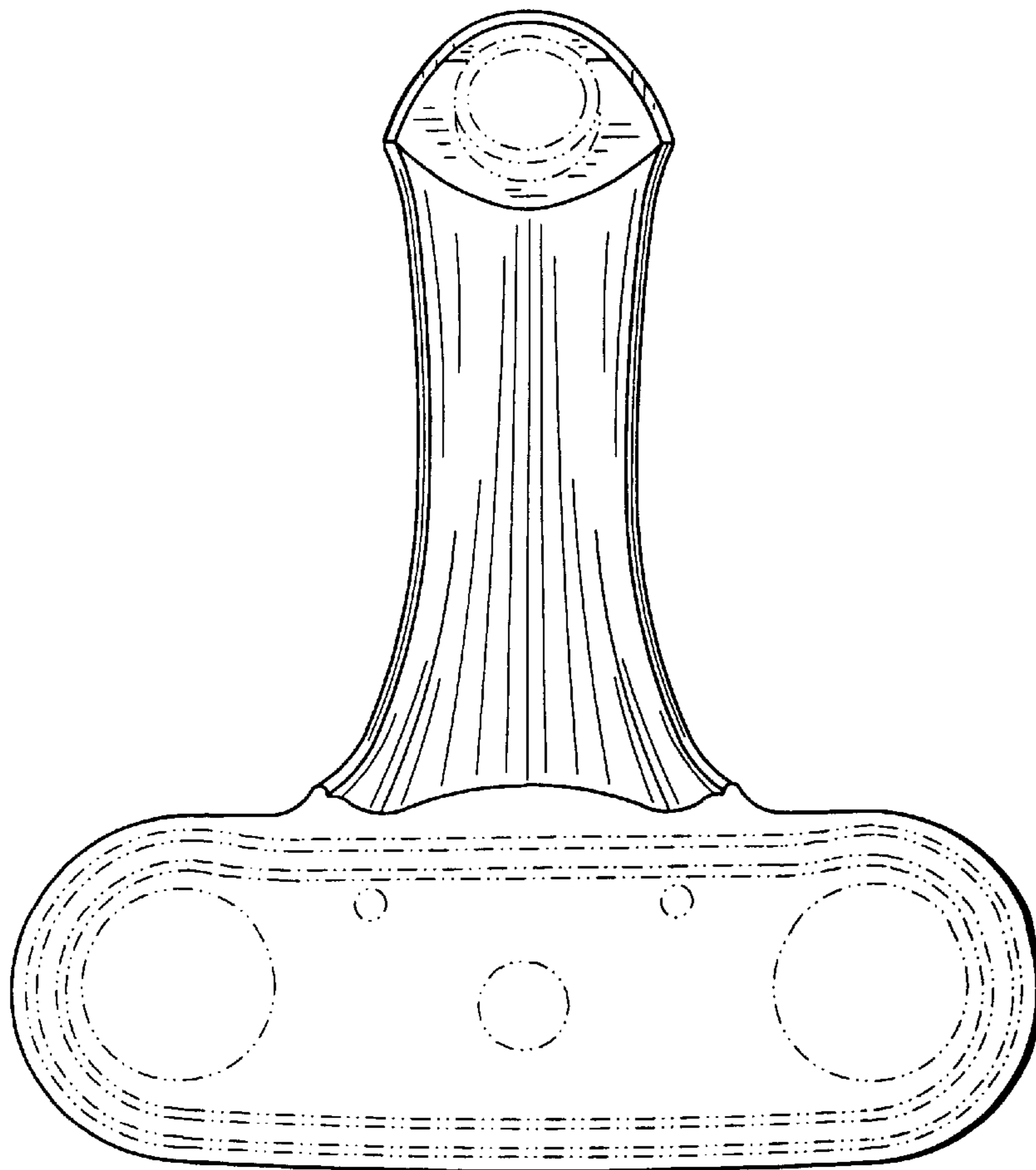


FIG. 6

UNITED STATES PATENT AND TRADEMARK OFFICE  
**CERTIFICATE OF CORRECTION**

PATENT NO. : D433,483  
DATED : November 7, 2000  
INVENTOR(S) : Raul M. Paredes

Page 1 of 1

It is certified that error appears in the above-identified patent and that said Letters Patent is hereby corrected as shown below:

Item [56] **References Cited** please insert the following references:

U.S. PATENT DOCUMENTS

--D384,392 9/1997 Doughty, et al . D23/241  
D390,638 2/1998 Ko D23/241

OTHER PUBLICATIONS

1993 Moen catalog ad showing "Monticello" cross lever handle faucet.  
1985 Rubinetterie Igienico catalog ad showing "Cromato" faucet handle.  
1996 Delta catalog ad showing "innovations" faucet.  
1988 Jado catalog and showing a lever handle.  
Undated Sterling catalog ad showing "Centerset" faucets, admitted prior art.  
1993 Moen catalog ad showing "Monticello" lever handle faucet.  
Undated Price Pfister faucet, admitted prior art (best copy available).--

Signed and Sealed this

Third Day of July, 2001

*Nicholas P. Godici*

Attest:

Attesting Officer

NICHOLAS P. GODICI  
Acting Director of the United States Patent and Trademark Office