



US00D433481S

United States Patent [19]

[11] Patent Number: Des. 433,481

Kaneko et al.

[45] Date of Patent: ** Nov. 7, 2000

[54] MANIFOLD TYPE ELECTRO-MAGNETIC VALVE

[75] Inventors: Ryushiro Kaneko; Shinji Miyazoe, both of Ibaraki, Japan

[73] Assignee: SMC Corporation, Tokyo, Japan

[**] Term: 14 Years

[21] Appl. No.: 29/114,443

[22] Filed: Nov. 26, 1999

[30] Foreign Application Priority Data

May 26, 1999 [JP] Japan 11-13700

[51] LOC (7) Cl. 23-01

[52] U.S. Cl. D23/233

[58] Field of Search D23/233-235, D23/244-245; 137/884, 625.64, 596.13, 596.16

[56] References Cited

U.S. PATENT DOCUMENTS

D. 416,980	11/1999	Sato et al.	D23/233
D. 419,216	1/2000	Sato et al.	D23/233
D. 420,101	2/2000	Hiramatsu et al.	D23/233
5,437,306	8/1995	Asou et al.	137/625.64
5,462,087	10/1995	Fukano et al.	137/884
5,603,355	2/1997	Miyazoe et al.	137/624.64

Primary Examiner—Robin V. Taylor
Attorney, Agent, or Firm—Oblon, Spivak, McClelland, Maier & Neustadt, P.C.

[57] CLAIM

The ornamental design for manifold type electro-magnetic valve, as shown and described.

DESCRIPTION

The design is directed to a manifold type electro-magnetic valve assembly in which a plurality of electro-magnetic valves are combined with a manifold structure capable of effecting a supply and an exhaust of a pressurized fluid with respect to each electro-magnetic valve, also capable of supplying an electric power for the purposes of driving, and capable of transmitting operation control signals.

FIG. 1 is a top and right front perspective view of manifold type electro-magnetic valve showing our new design; FIG. 2 is a top and left rear perspective view thereof; FIG. 3 is a top plan view thereof; FIG. 4 is a front elevational view thereof; FIG. 5 is a rear elevational view thereof; FIG. 6 is a left side elevational view thereof; and, FIG. 7 is a right side elevational view thereof.

The phantom line showing in the drawings is for illustrative purposes only and forms no part of the claimed design. The surface of the right side of the article not shown in the drawing or described in the specification forms no part of the claimed design.

1 Claim, 2 Drawing Sheets

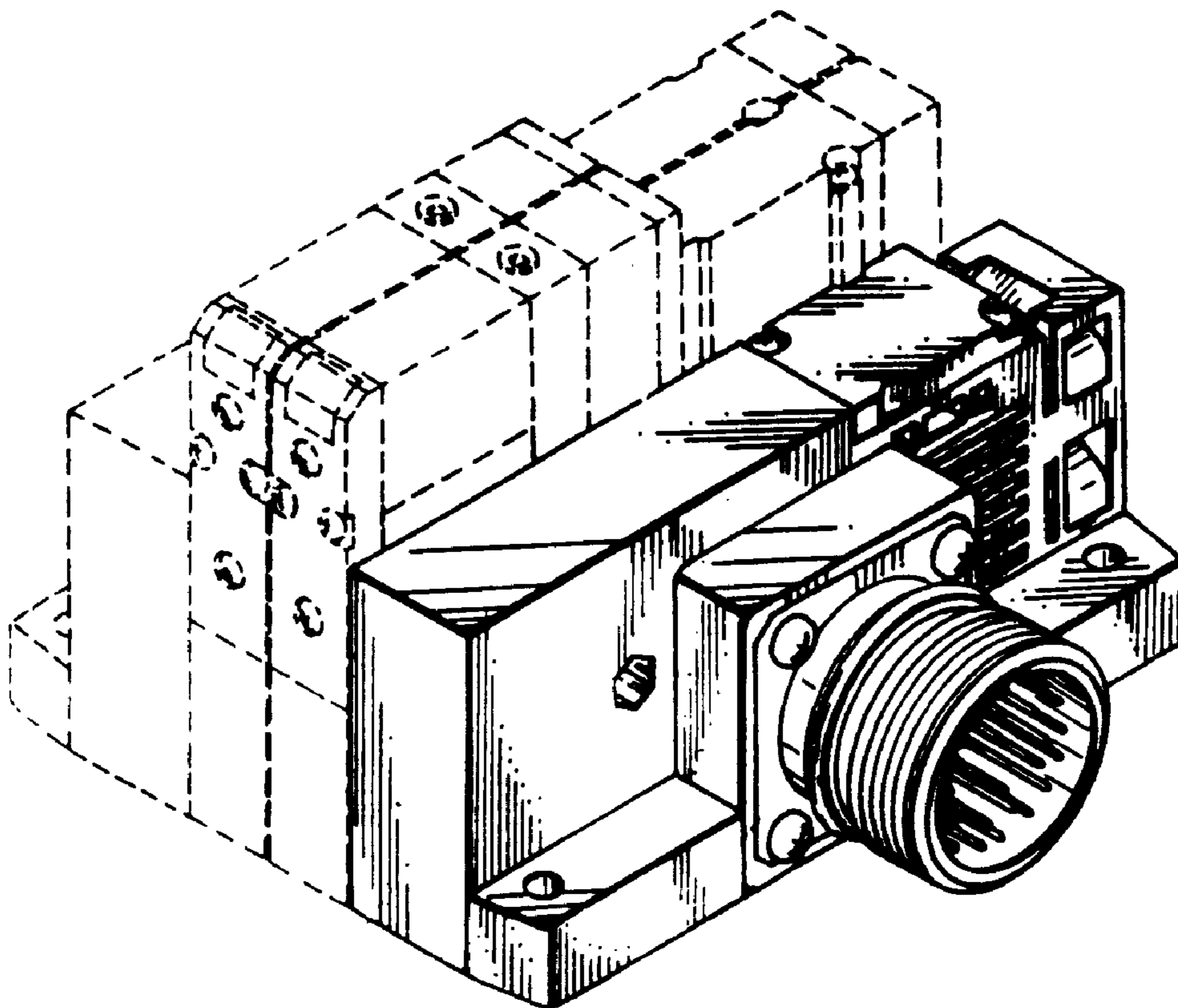


FIG. 1

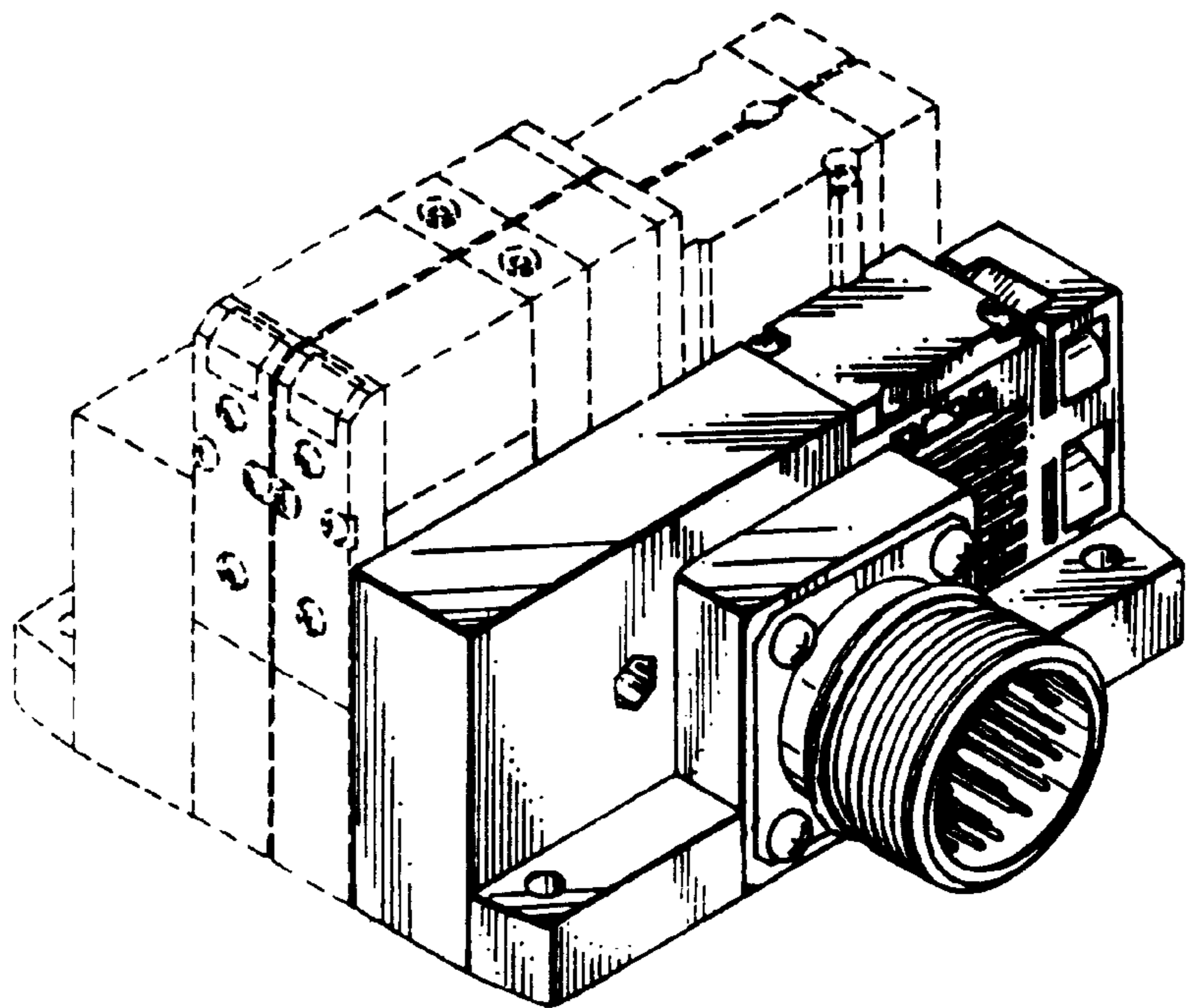
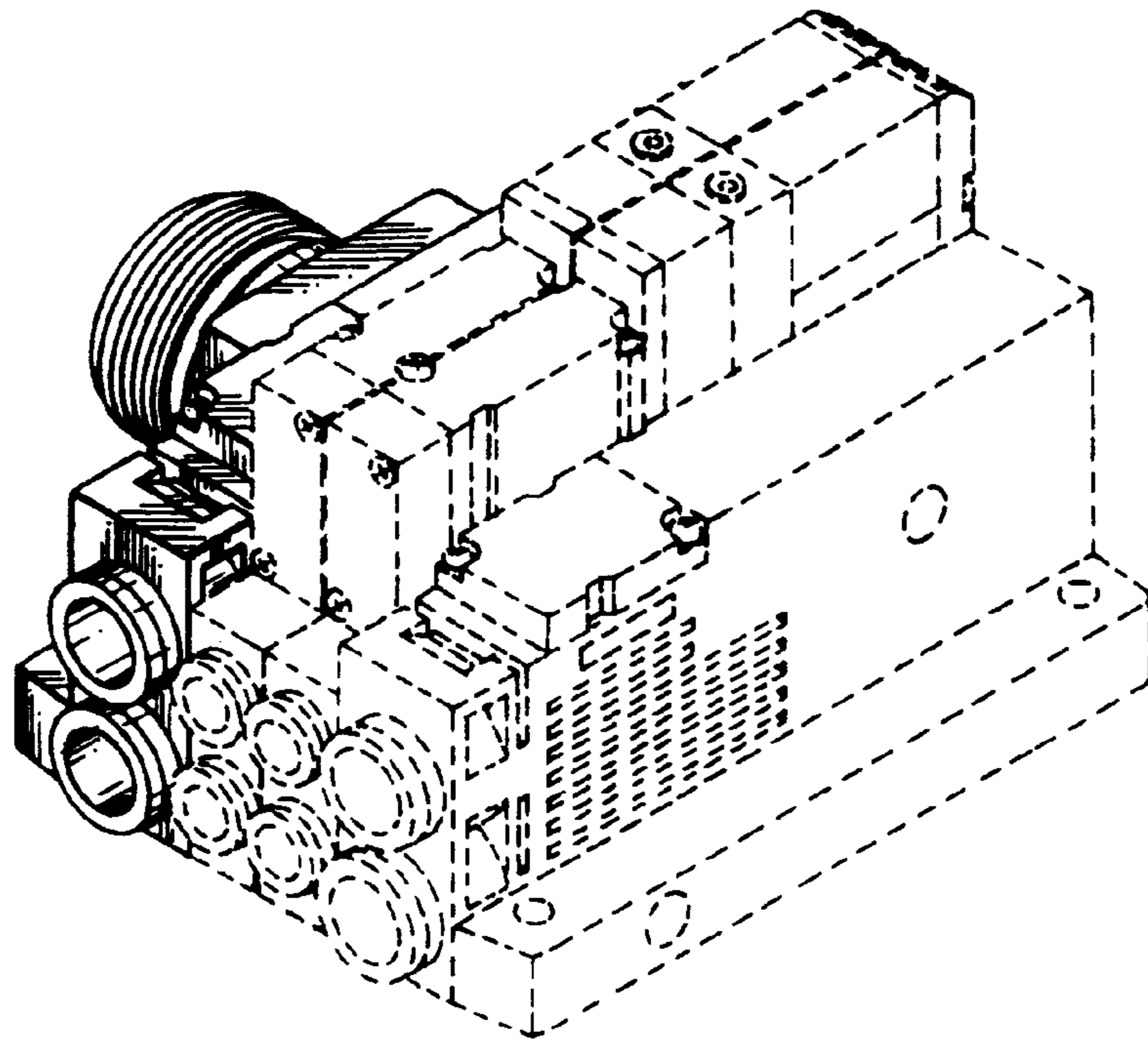


FIG. 2

FIG. 3

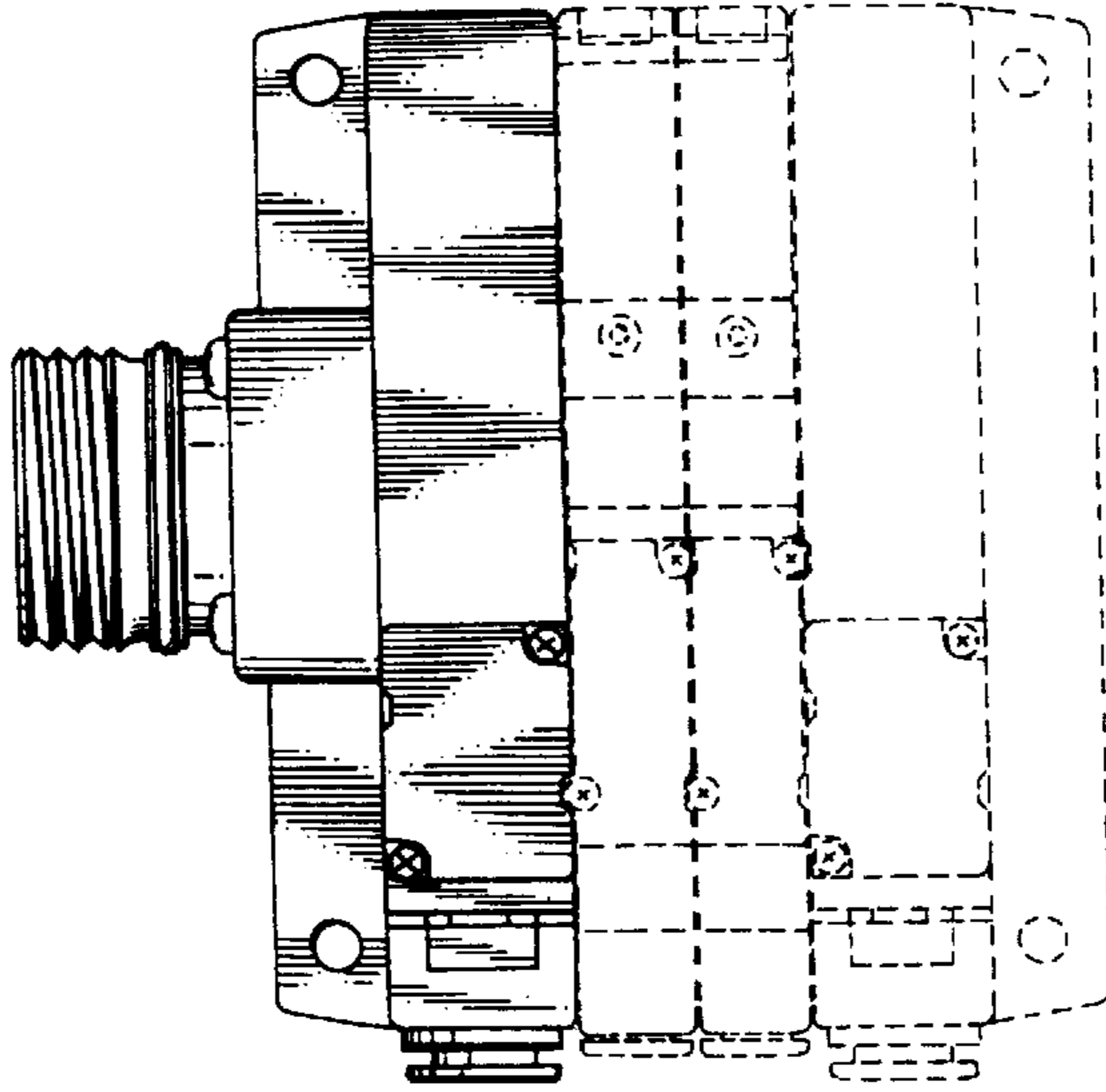


FIG. 4

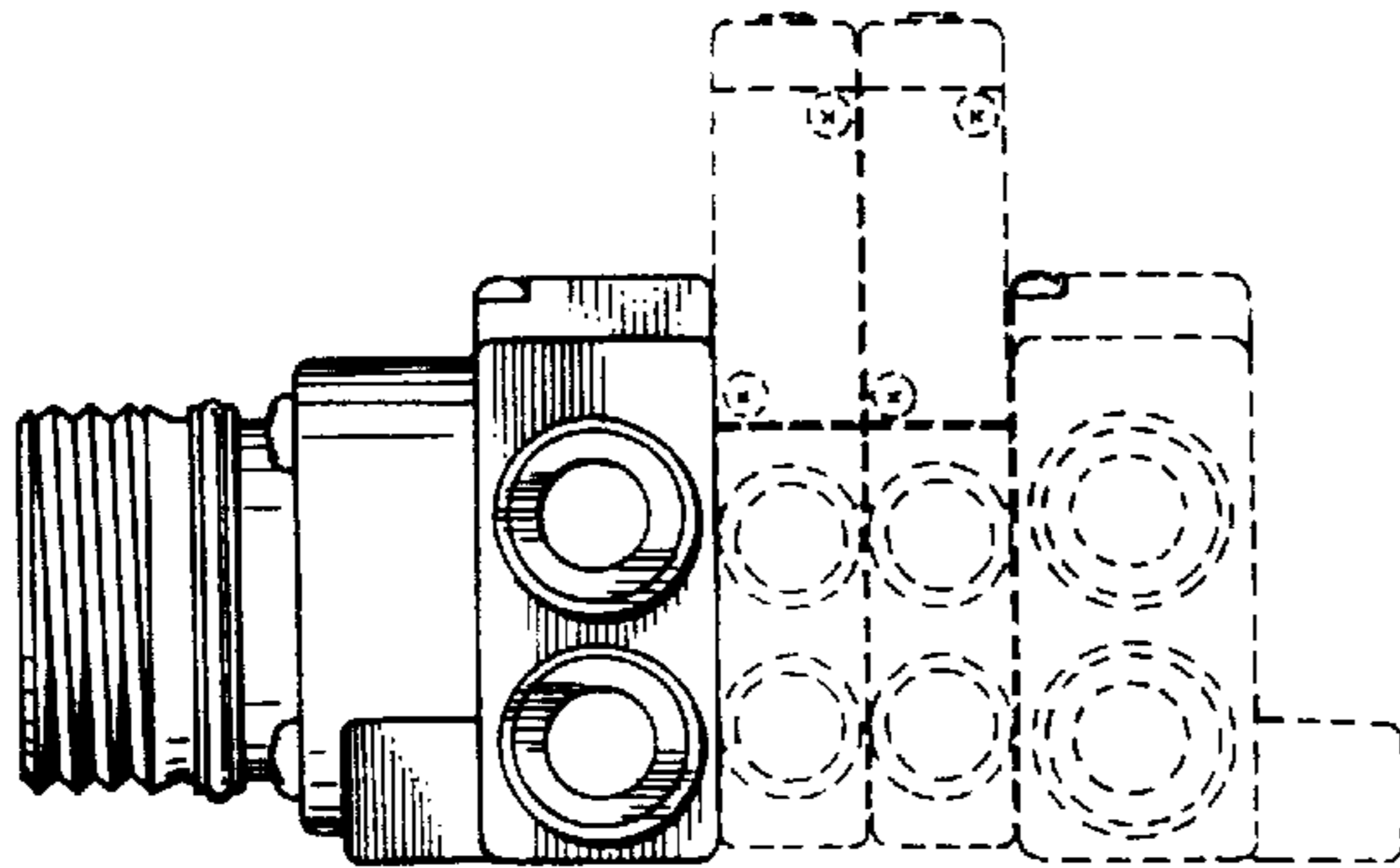


FIG. 5

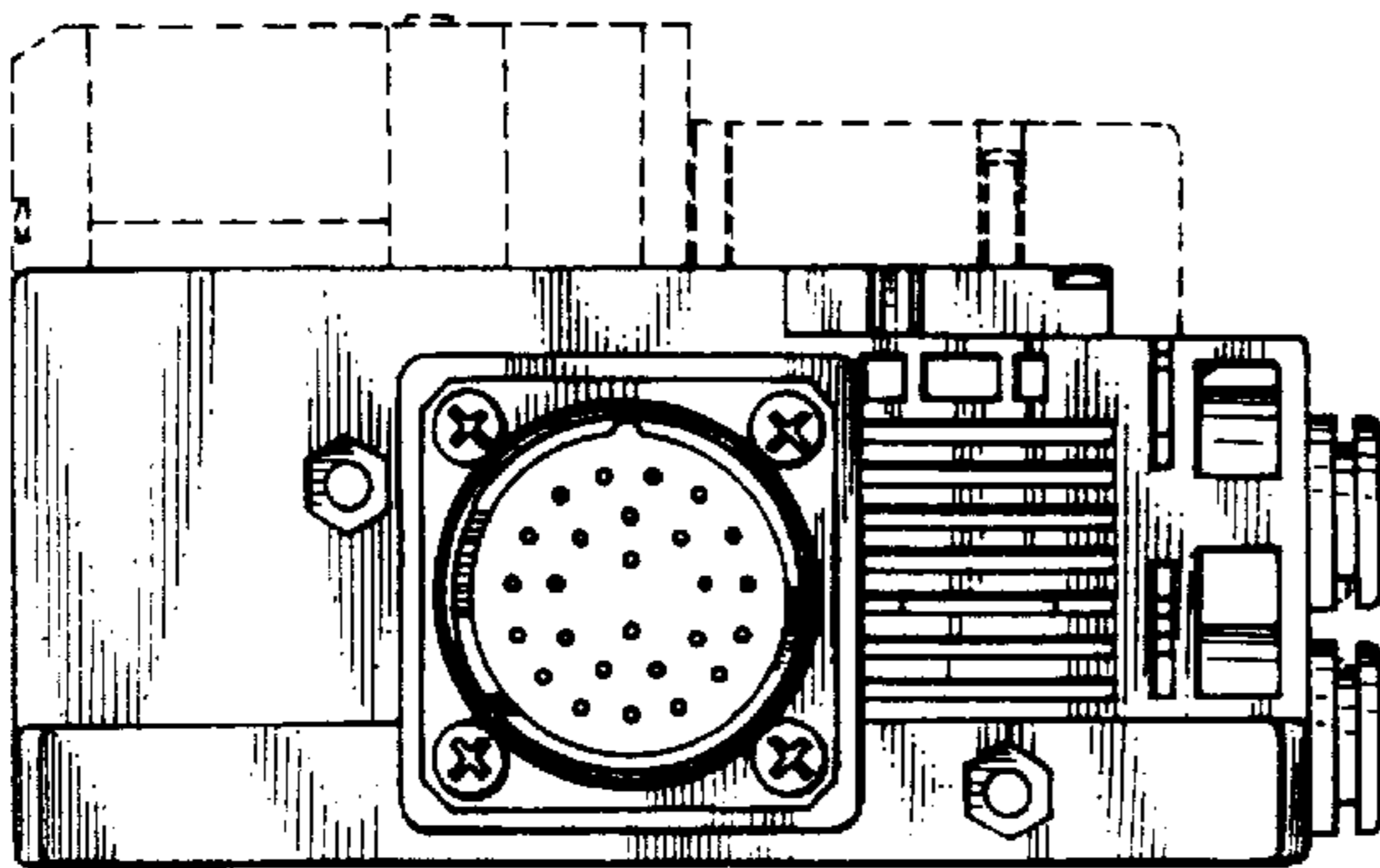
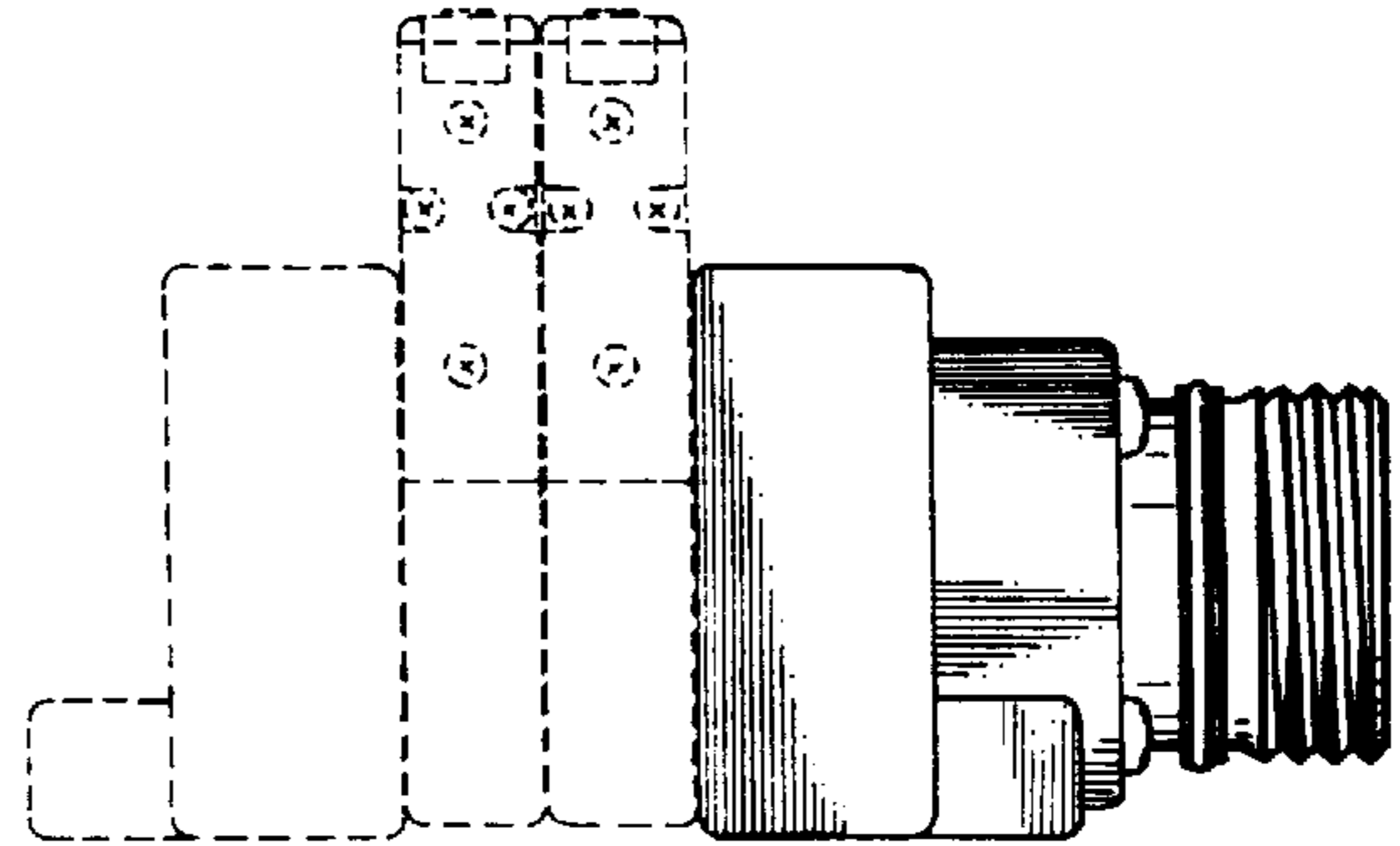


FIG. 6

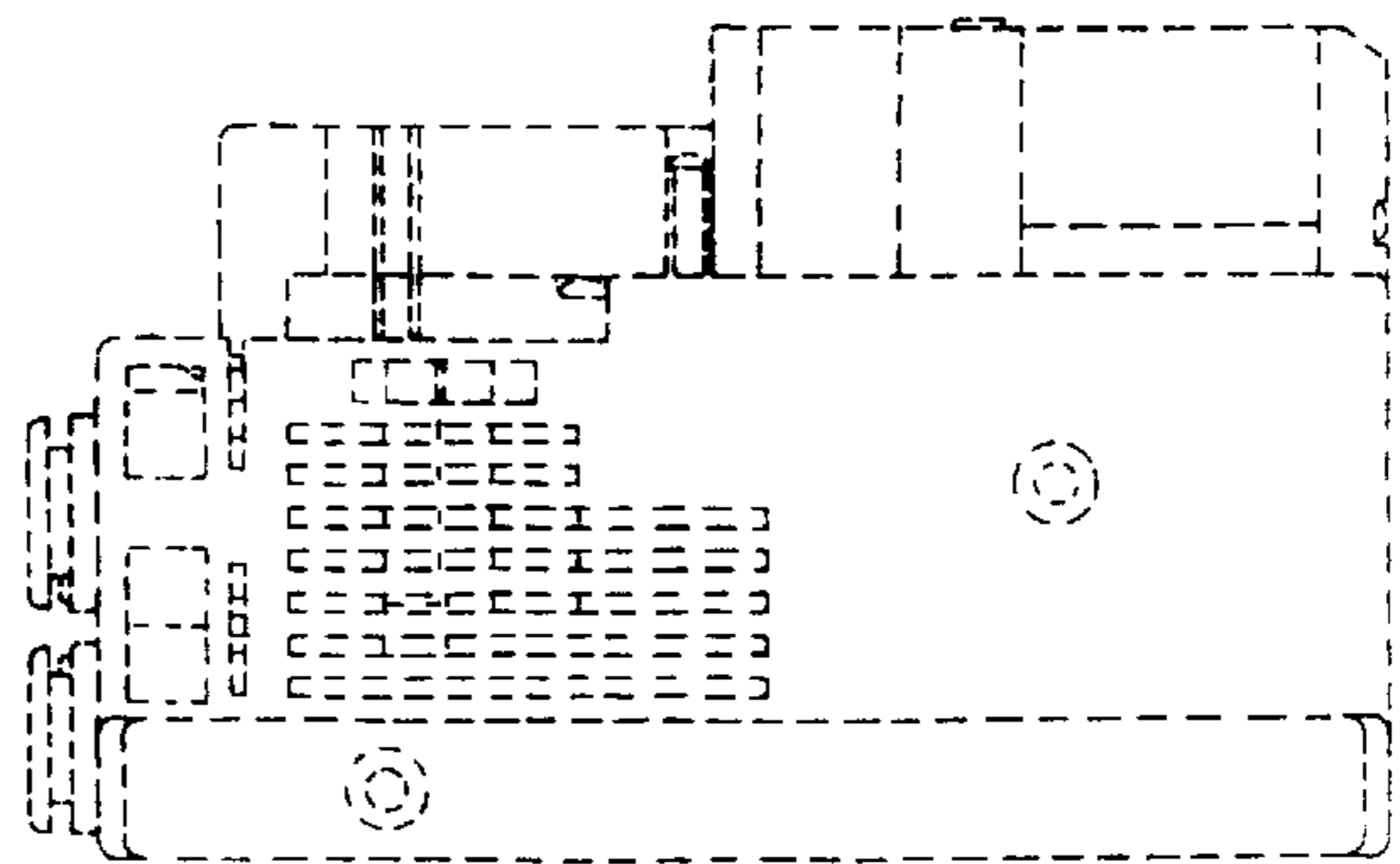


FIG. 7