



US00D433478S

United States Patent [19] Edgar

[11] Patent Number: Des. 433,478

[45] Date of Patent: ** *Nov. 7, 2000

[54] MOUNT FOR SECURING A SIGHTING
DEVICE TO A FIREARM

[76] Inventor: Mark S. Edgar, P.O. Box 261,
Clarkston, Wash. 99403

[*] Notice: This patent is subject to a terminal dis-
claimer.

[**] Term: 14 Years

[21] Appl. No.: 29/101,664

[22] Filed: Mar. 9, 1999

[51] LOC (7) Cl. 22-01

[52] U.S. Cl. D22/110; D22/108; D22/109

[58] Field of Search D22/100, 110,
D22/108, 109, 199; 33/245-250; 42/100,
101, 103; 362/110, 113, 114

[56] References Cited

U.S. PATENT DOCUMENTS

D. 203,508	1/1966	Hansen	D22/110
D. 270,748	9/1983	Bechtel	D22/110
D. 281,804	12/1985	Bechtel	D22/110
D. 286,424	10/1986	Ekstrand	362/110
D. 331,442	12/1992	Bechtel	D22/110
D. 331,443	12/1992	Bechtel	D22/110
D. 365,621	12/1995	Coste	D22/109
D. 394,096	5/1998	Edgar	D22/110
D. 406,632	3/1999	Edgar	D22/110
D. 410,723	6/1999	Edgar	D22/108 X
894,306	7/1908	Wright	.	
1,215,171	2/1917	Lewis	.	
1,535,459	4/1925	Fredrickson	.	
2,043,430	6/1936	Doe	33/247

2,529,057	11/1950	Teffault	362/110
2,546,242	3/1951	Stinson	240/6.41
3,381,924	5/1968	Gagnier	33/247
4,562,658	1/1986	Govett	33/247 X
4,742,635	5/1988	Ruger et al.	33/245 X
4,777,754	10/1988	Reynolds, Jr.	42/103
4,890,407	1/1990	Nichols	42/103
4,894,941	1/1990	Karow, Jr.	42/103
5,042,186	8/1991	Bechtel	42/103
5,107,612	4/1992	Bechtel	42/103

Primary Examiner—Louis S. Zarfaz
Assistant Examiner—Monica A. Weingart
Attorney, Agent, or Firm—Wells, St. John, Roberts, Gregory
& Matkin, P.S.

[57] CLAIM

The ornamental design for a mount for securing a sighting
device to a firearm, as shown and described.

DESCRIPTION

The present design is for a device used to mount a sighting
device such as a laser sight or flashlight to a weapon such as
a shotgun.

FIG. 1 is a perspective view of a mount for securing a
sighting device to a firearm showing a preferred form of my
new design;

FIG. 2 is a side elevation view thereof, the opposite side
being a mirror image;

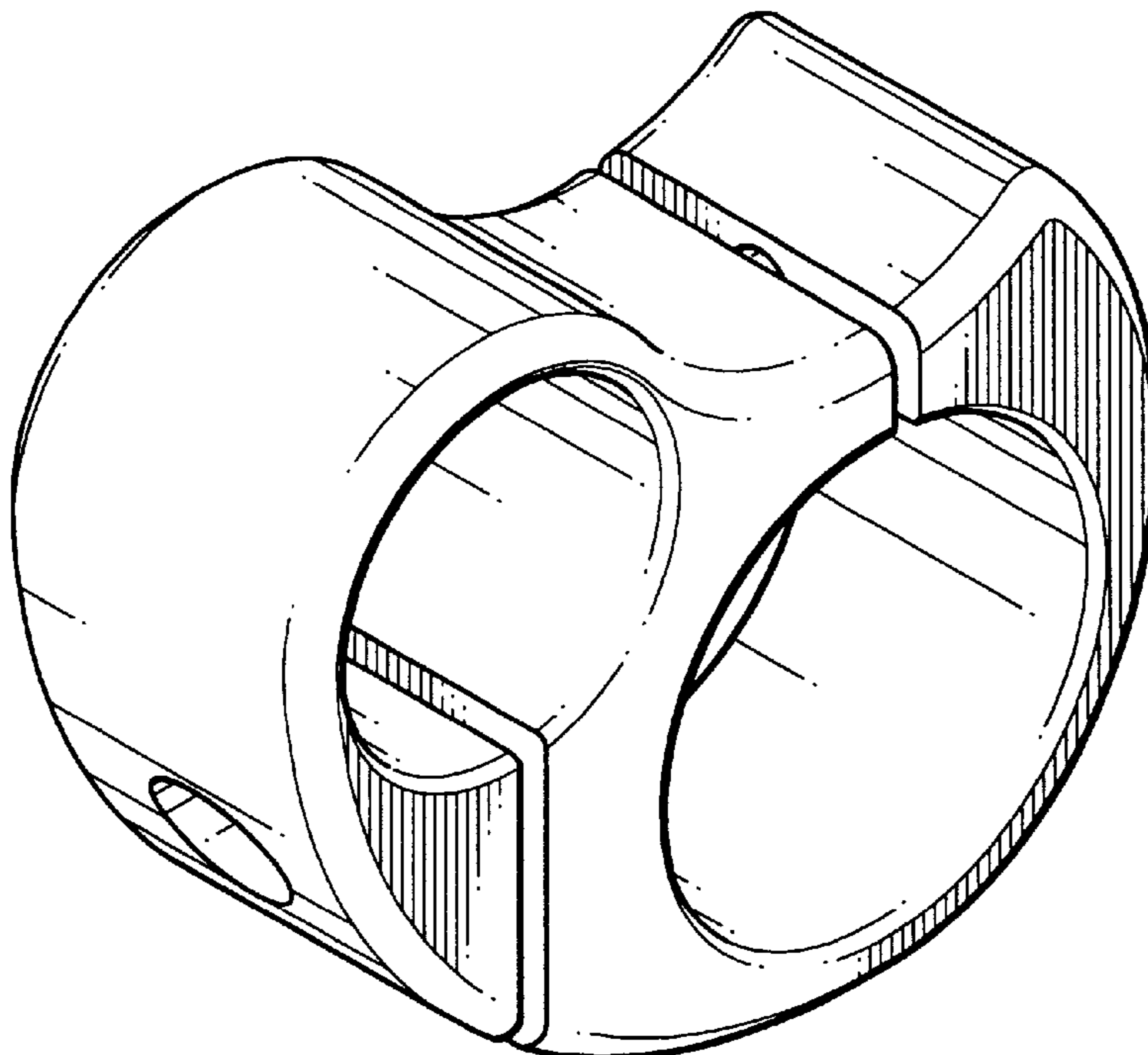
FIG. 3 is a top plan view thereof;

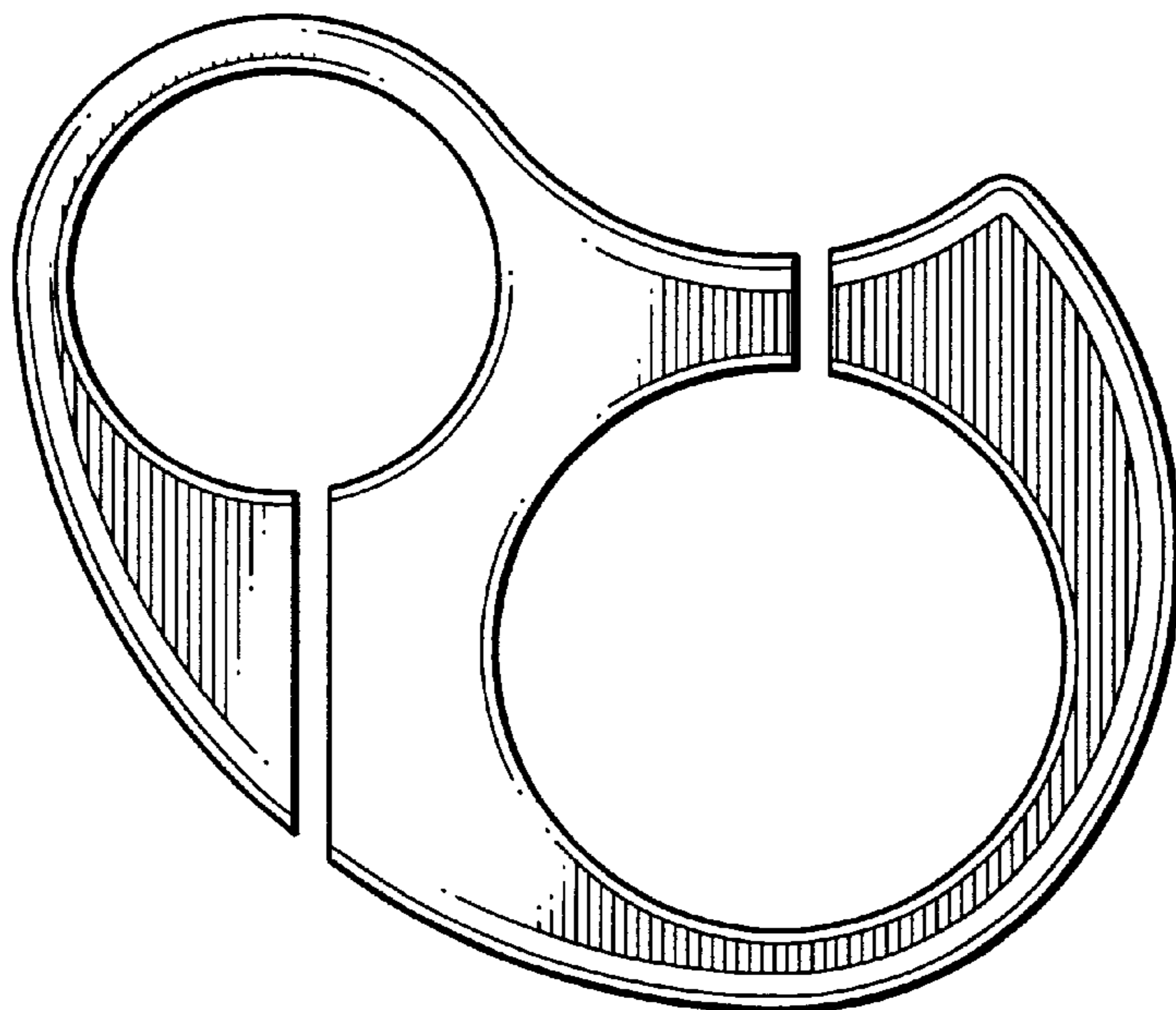
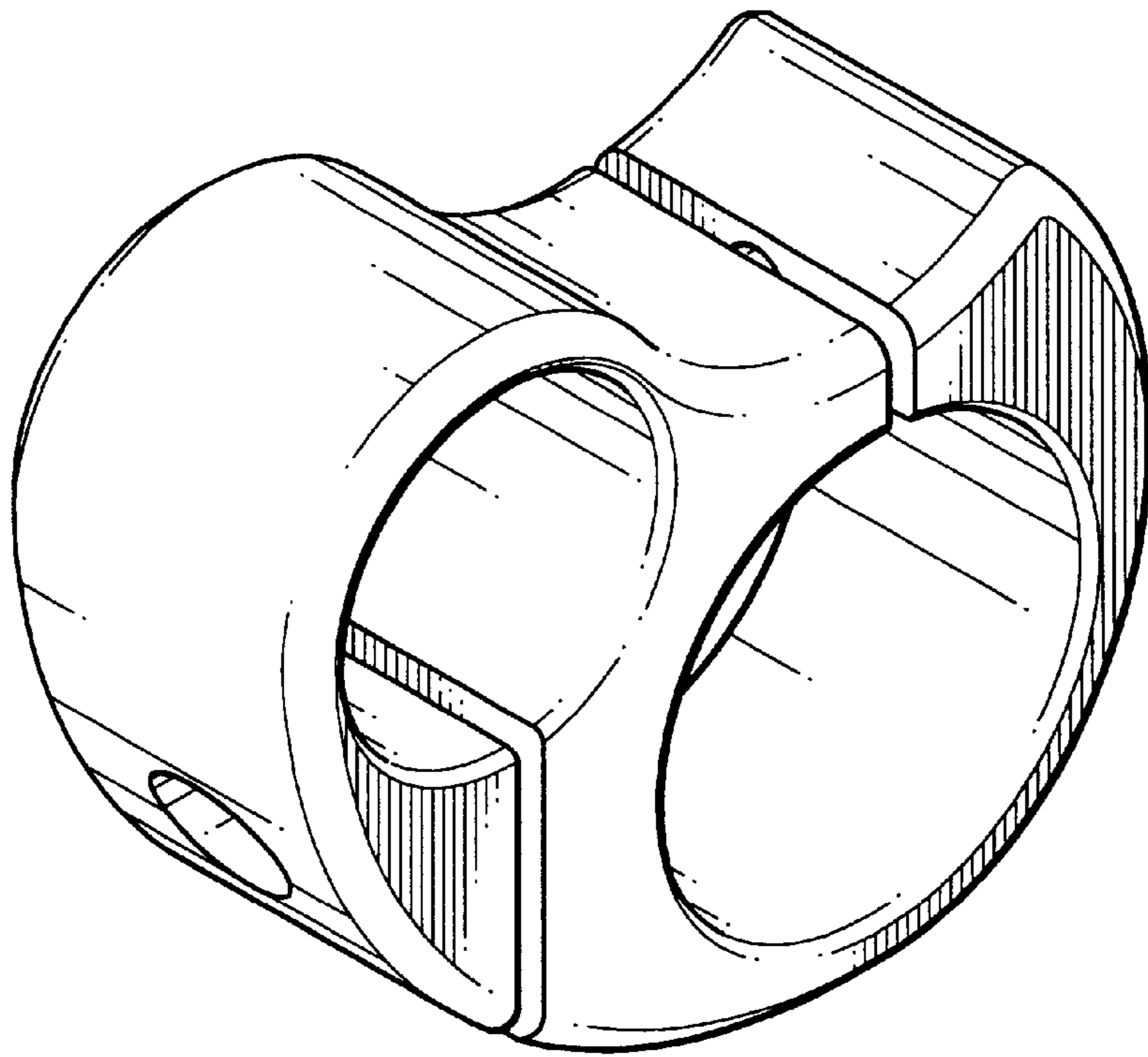
FIG. 4 is a bottom plan view thereof;

FIG. 5 is an end elevation view as viewed from the left in
FIG. 2; and,

FIG. 6 is an end elevation view as viewed from the right in
FIG. 2.

1 Claim, 2 Drawing Sheets





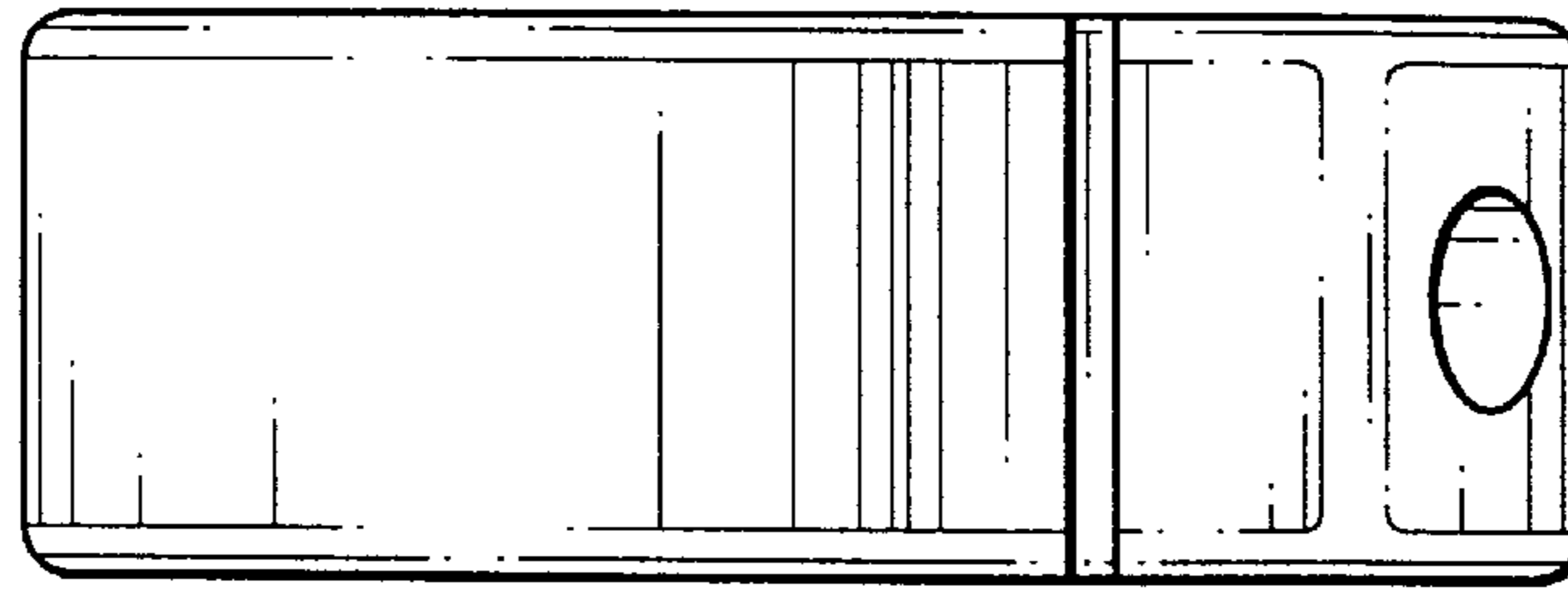


FIG. 3

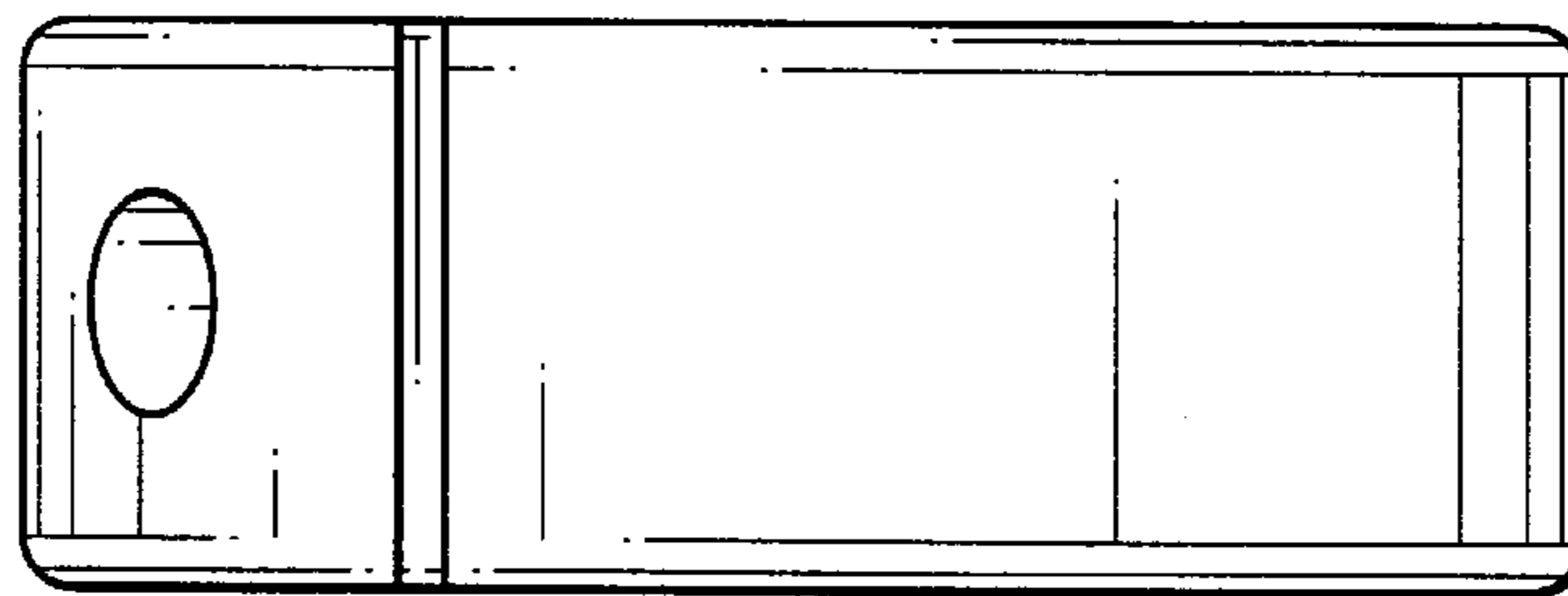


FIG. 4

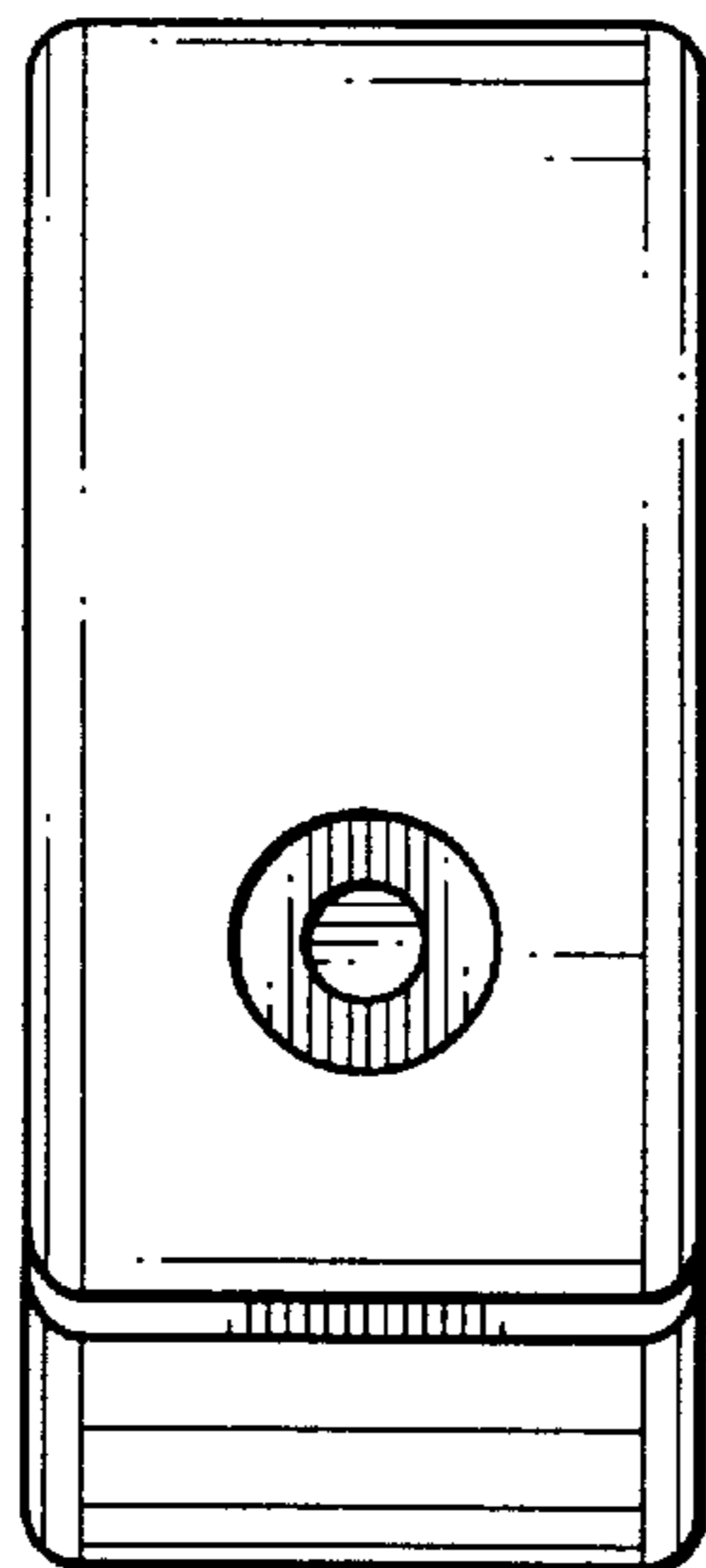


FIG. 5

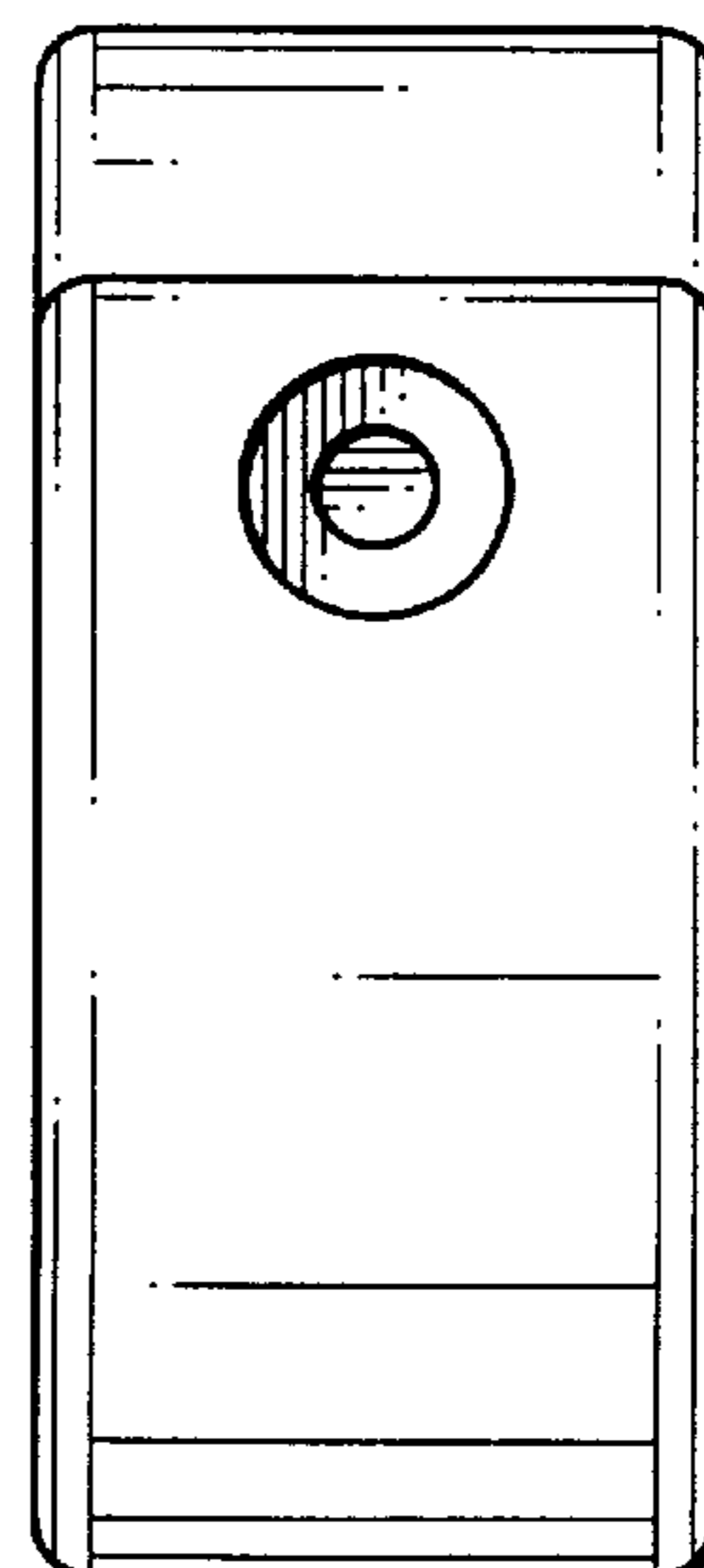


FIG. 6