



US00D433474S

United States Patent [19] Puyo

[11] **Patent Number: Des. 433,474**

[45] **Date of Patent: ** Nov. 7, 2000**

[54] **SURFBOARD**

[75] Inventor: **Philippe Puyo**, Bordeaux, France

[73] Assignee: **G+ (S.A.R.L.)**, Bordeaux, France

[**] Term: **14 Years**

[21] Appl. No.: **29/082,610**

[22] Filed: **Jan. 27, 1998**

[30] **Foreign Application Priority Data**

Jul. 28, 1997 [FR] France 97 4528

[51] **LOC (7) Cl.** **21-06**

[52] **U.S. Cl.** **D21/769; D21/801**

[58] **Field of Search** D21/769, 770,
D21/760, 801, 803; 441/65, 66, 67, 74,
79, 129; 472/128, 129; 482/56; 280/14.2,
608, 609

[56] **References Cited**

U.S. PATENT DOCUMENTS

D. 317,194 5/1991 Brocone et al. D21/769

D. 356,618 3/1995 Fleming D21/769
4,886,476 12/1989 Brocone et al. 441/65
4,974,868 12/1990 Morris 280/609
5,114,370 5/1992 Moran 441/65

Primary Examiner—Kay H. Chin
Attorney, Agent, or Firm—Greenblum & Bernstein, P.L.C.

[57] **CLAIM**

I claim the ornamental design for a surfboard, as shown and described.

DESCRIPTION

FIG. 1 is a perspective view of a surfboard showing my new design;
FIG. 2 is a top plan view thereof;
FIG. 3 is a bottom plan view thereof;
FIG. 4 is a right side elevation view thereof;
FIG. 5 is a left side elevation view thereof;
FIG. 6 is a rear end elevation view thereof; and,
FIG. 7 is a front end elevation view thereof.

1 Claim, 2 Drawing Sheets

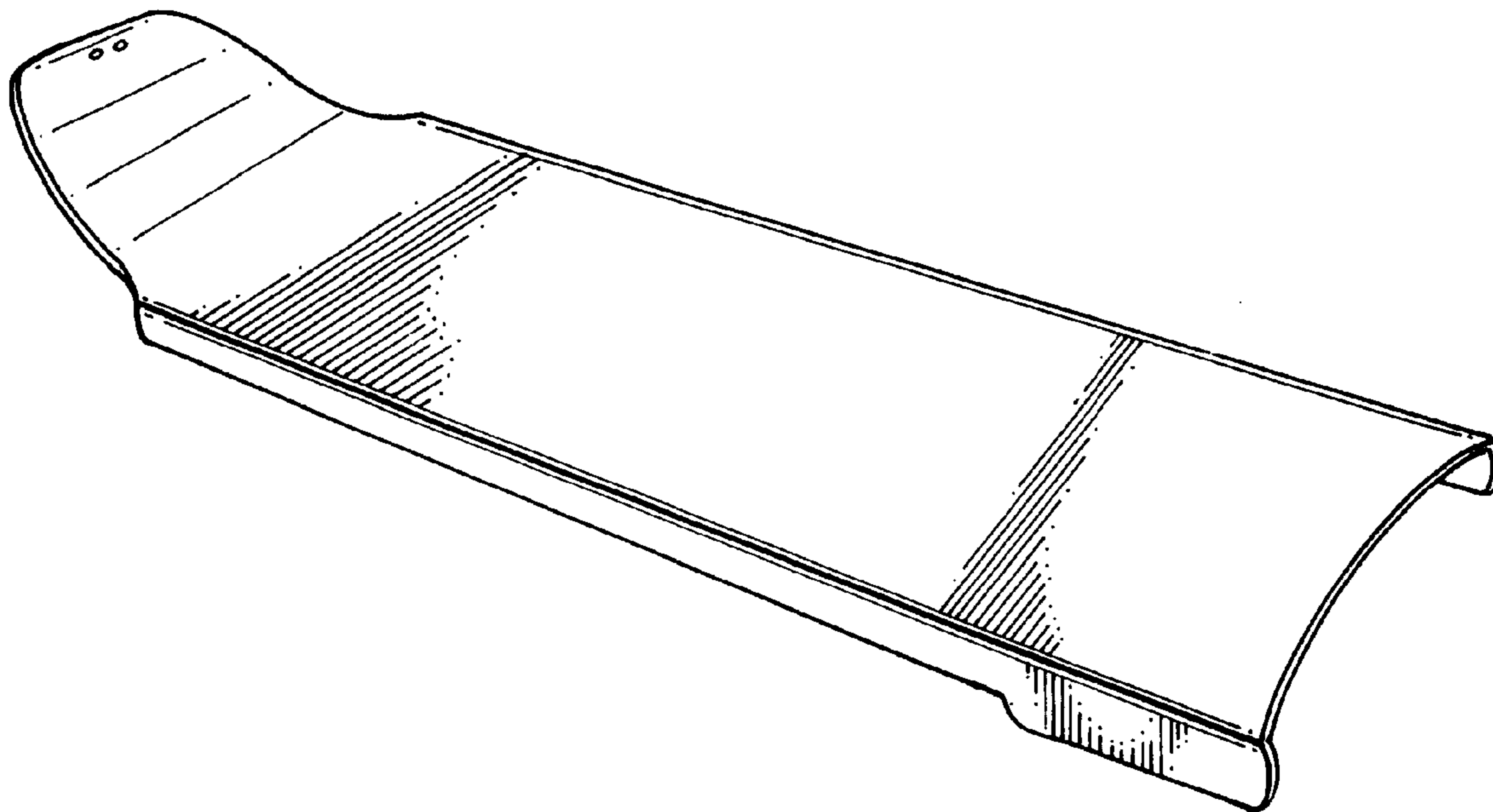


Fig. 1

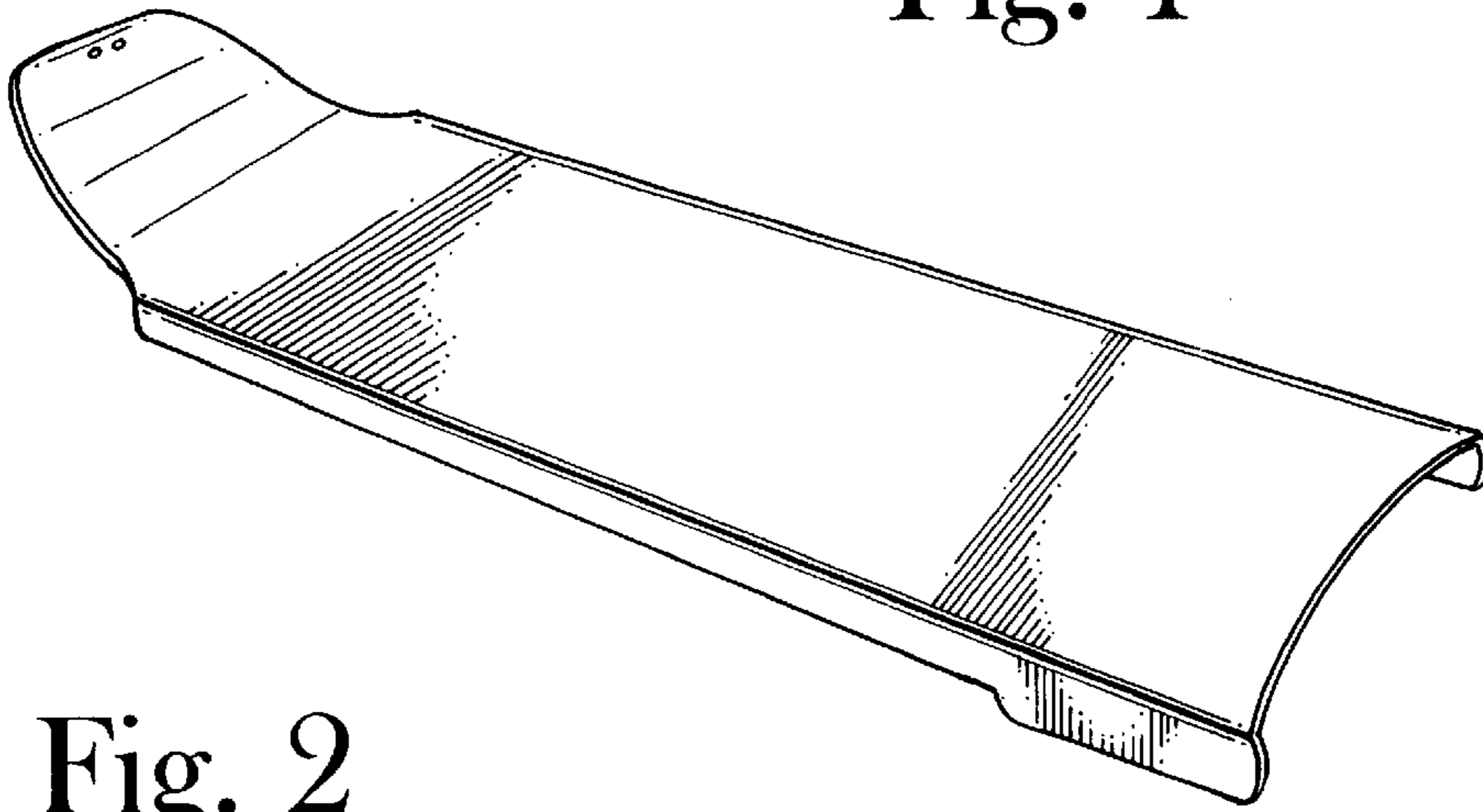


Fig. 2

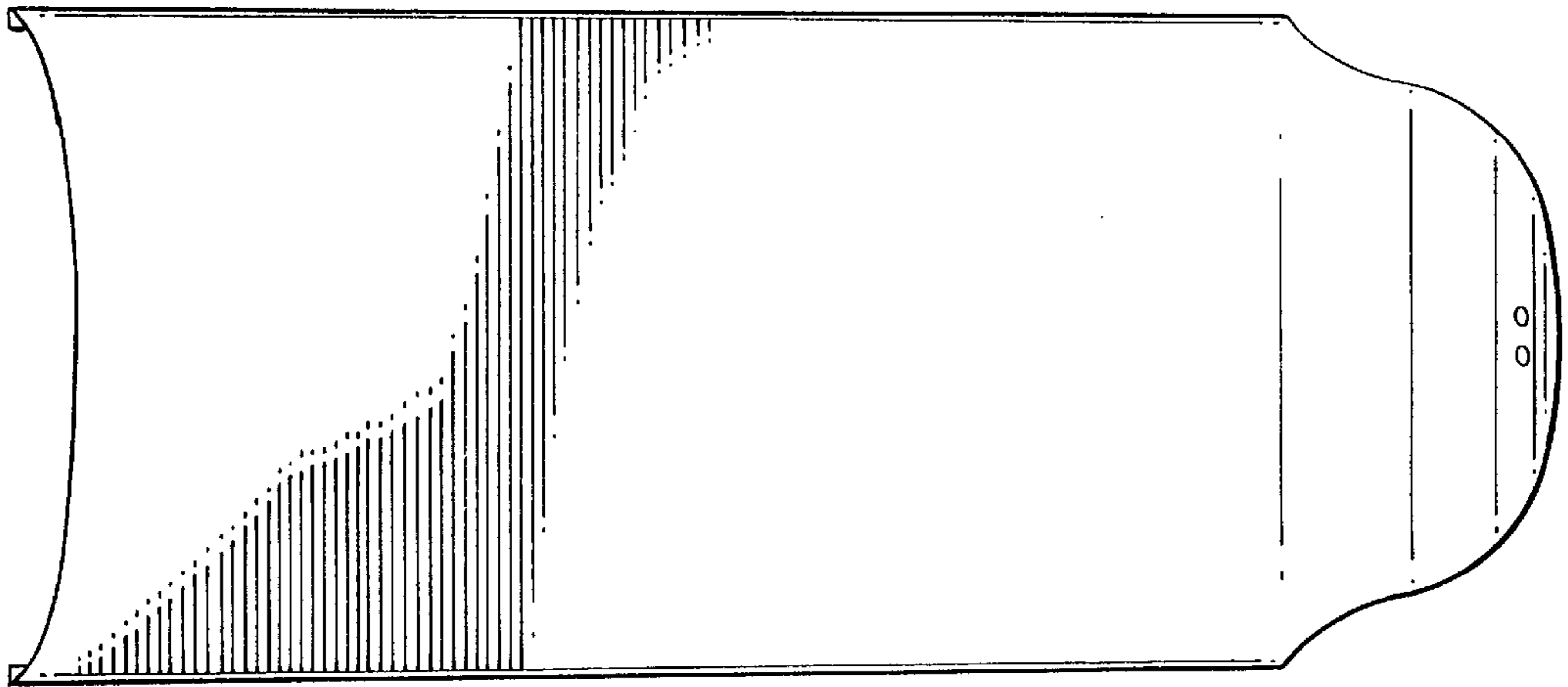
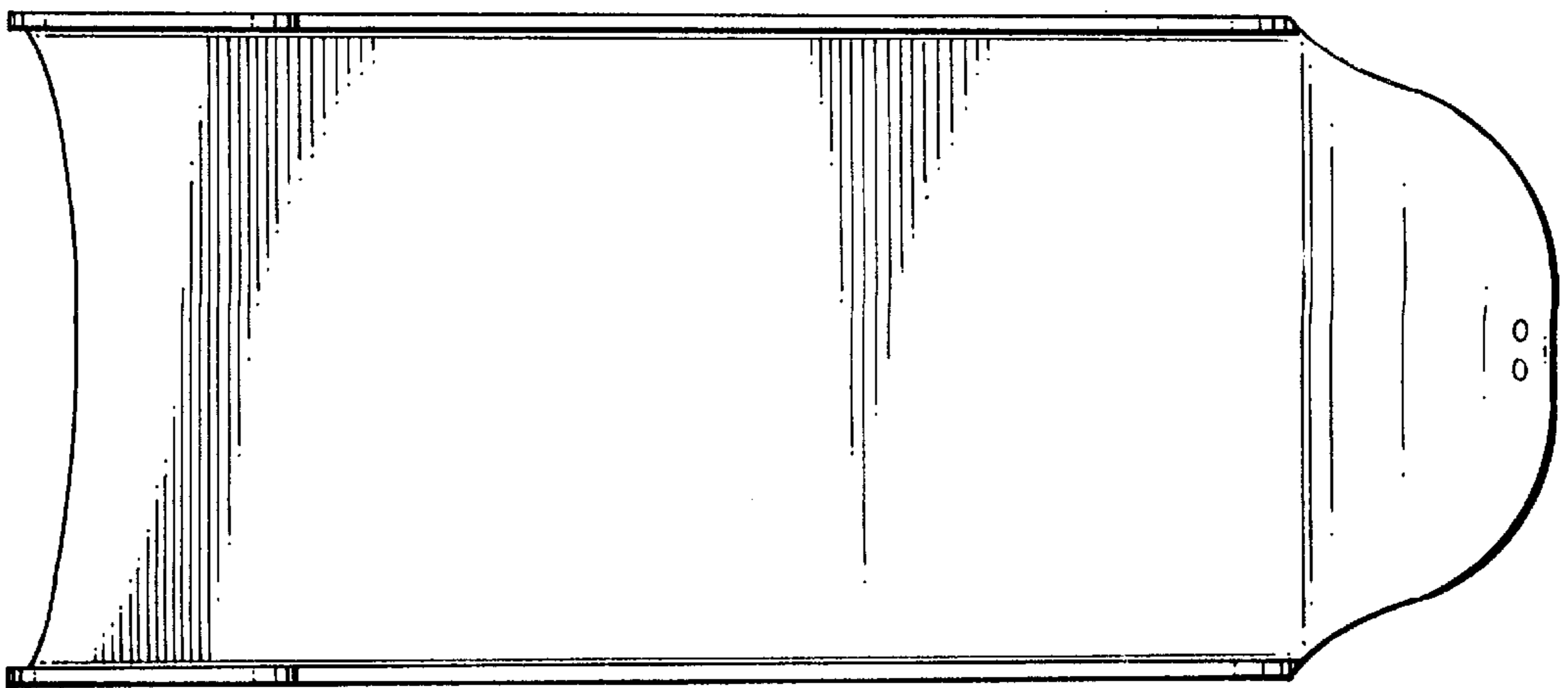


Fig. 3



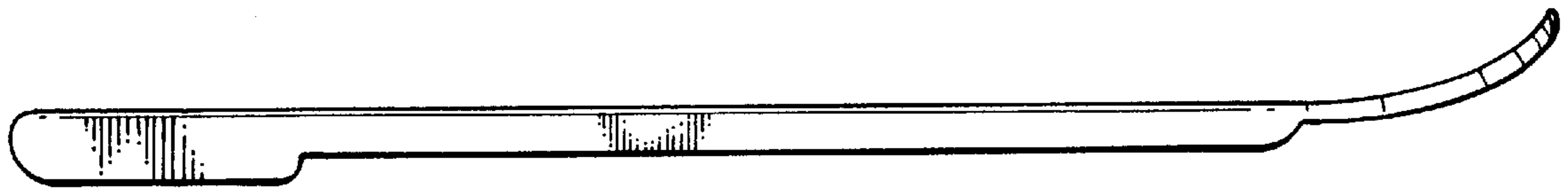


Fig. 4

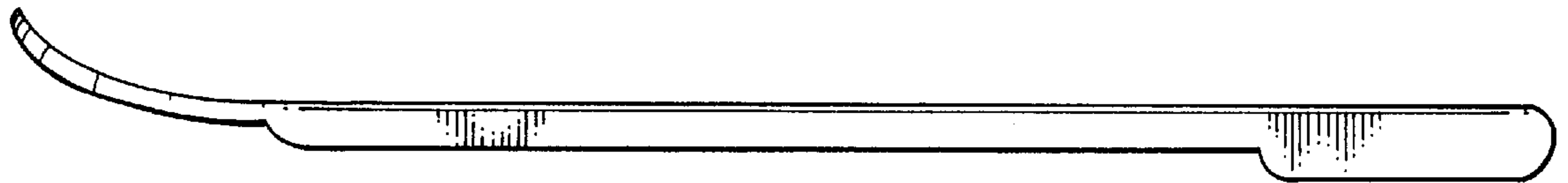


Fig. 5

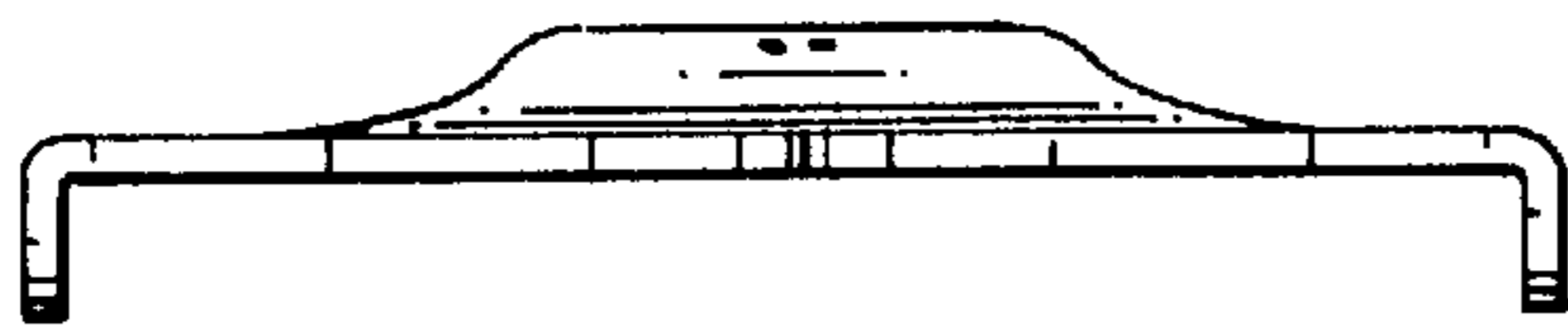


Fig. 6

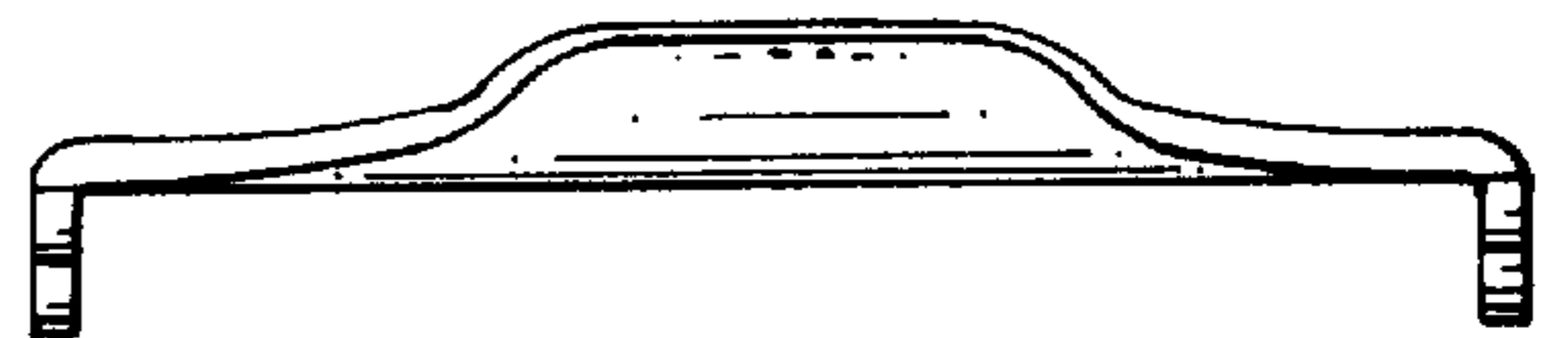


Fig. 7