



US00D433471S

United States Patent [19]

Hsu et al.

[11] **Patent Number: Des. 433,471**

[45] **Date of Patent: ** Nov. 7, 2000**

[54] **BASKETBALL GOAL**

[75] Inventors: **Yaw-Yuan Hsu**, Taipei; **Chin-Hsiang Pan**, Taipei Hsien; **Kun Chao Hsu**, Taipei County, all of Taiwan

[73] Assignee: **Intex Recreation Corp.**, Long Beach, Calif.

[**] Term: **14 Years**

[21] Appl. No.: **29/114,132**

[22] Filed: **Nov. 18, 1999**

[51] **LOC (7) Cl.** **21-02**

[52] **U.S. Cl.** **D21/701**

[58] **Field of Search** D21/699, 701-704; 273/458; 446/220, 221; 473/479, 481, 485

[56] **References Cited**

U.S. PATENT DOCUMENTS

D. 338,562 8/1993 Barker et al. D21/701 X

D. 353,641 12/1994 Liu D21/702
D. 360,667 7/1995 Liu D21/703
D. 410,713 6/1999 Sherwood et al. D21/699
D. 410,714 6/1999 Sherwood et al. D21/701

Primary Examiner—Richelle Shelton
Attorney, Agent, or Firm—Lewis, D’Amato, Brisbois & Bisgaard LLP

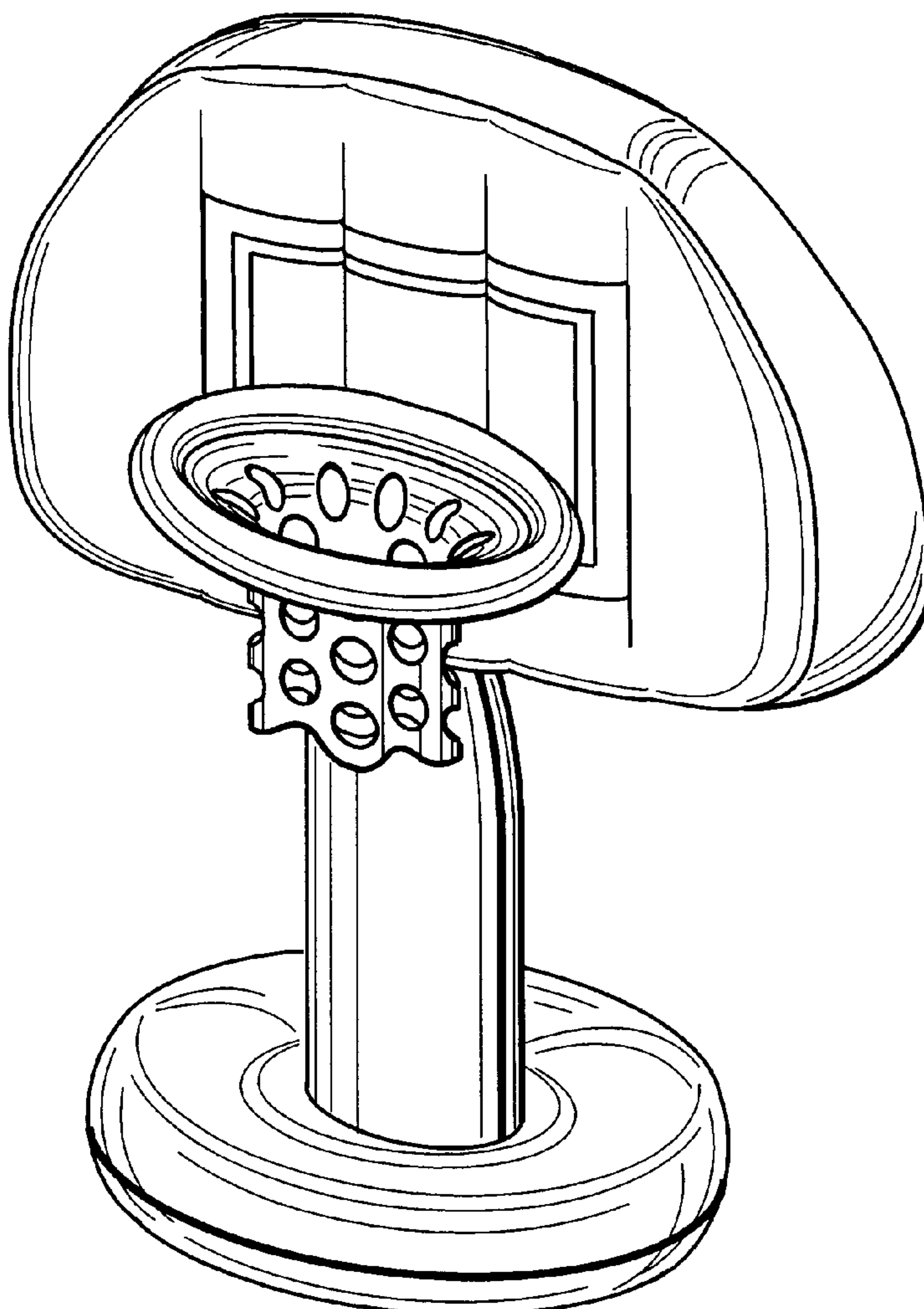
[57] **CLAIM**

The ornamental design for a basketball goal, as shown and described.

DESCRIPTION

FIG. 1 is a perspective view of a basketball goal showing our new design;
FIG. 2 is a front elevation view thereof;
FIG. 3 is a rear elevation view thereof;
FIG. 4 is a left side elevation view thereof;
FIG. 5 is a right side elevation view thereof;
FIG. 6 is a top plan view thereof; and,
FIG. 7 is a bottom plan view thereof.

1 Claim, 4 Drawing Sheets



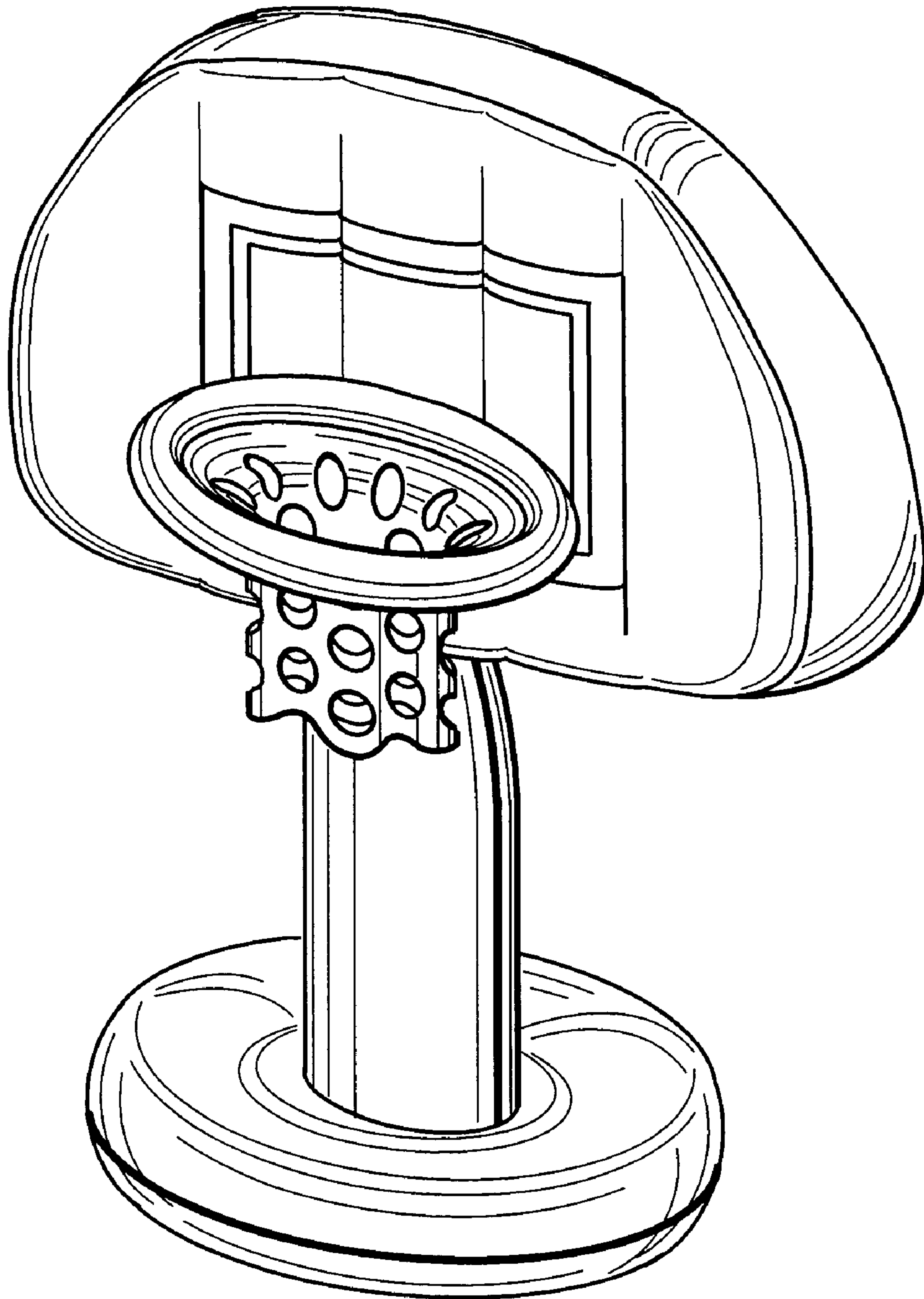


FIG. 1

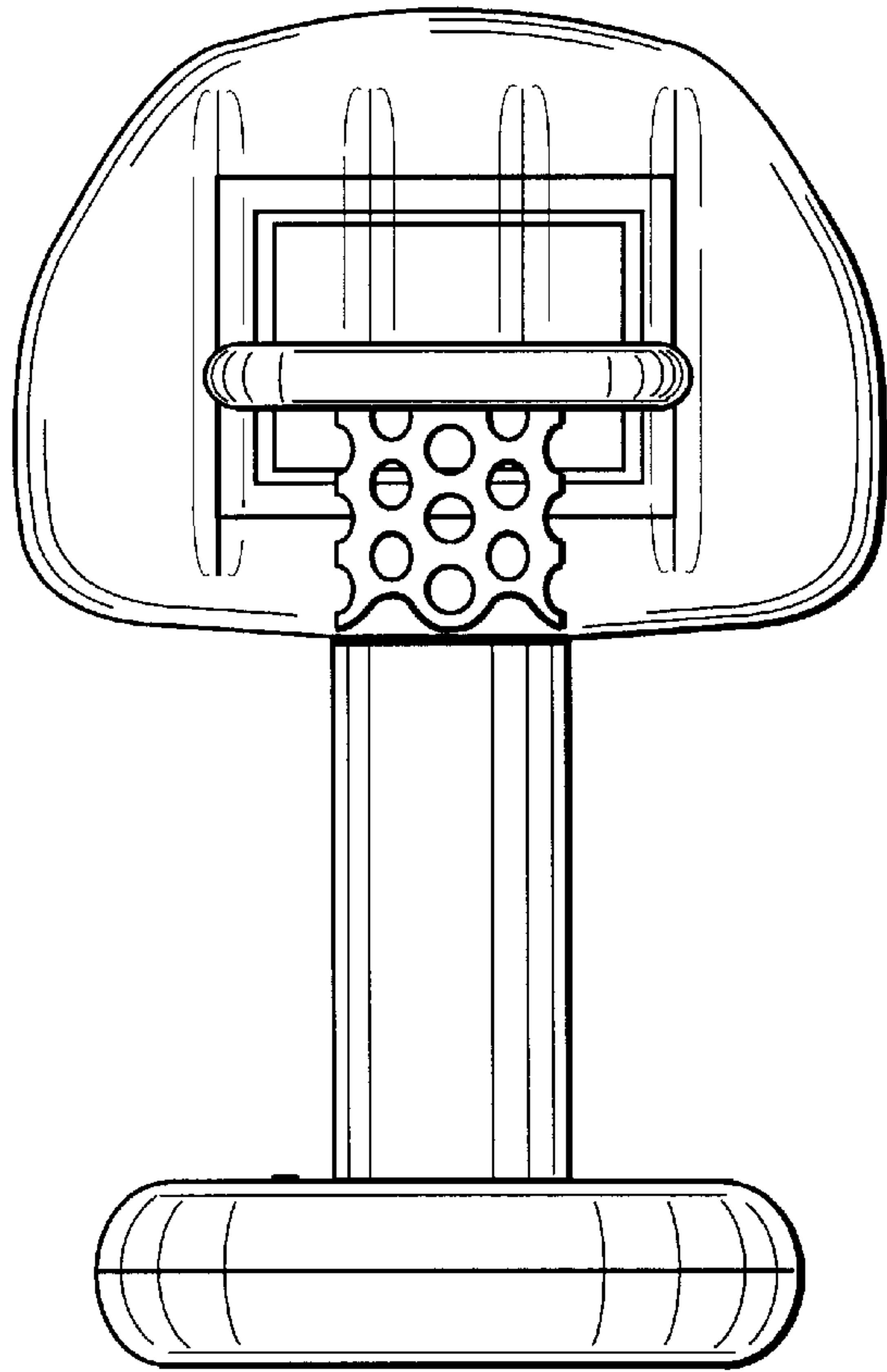


FIG. 2

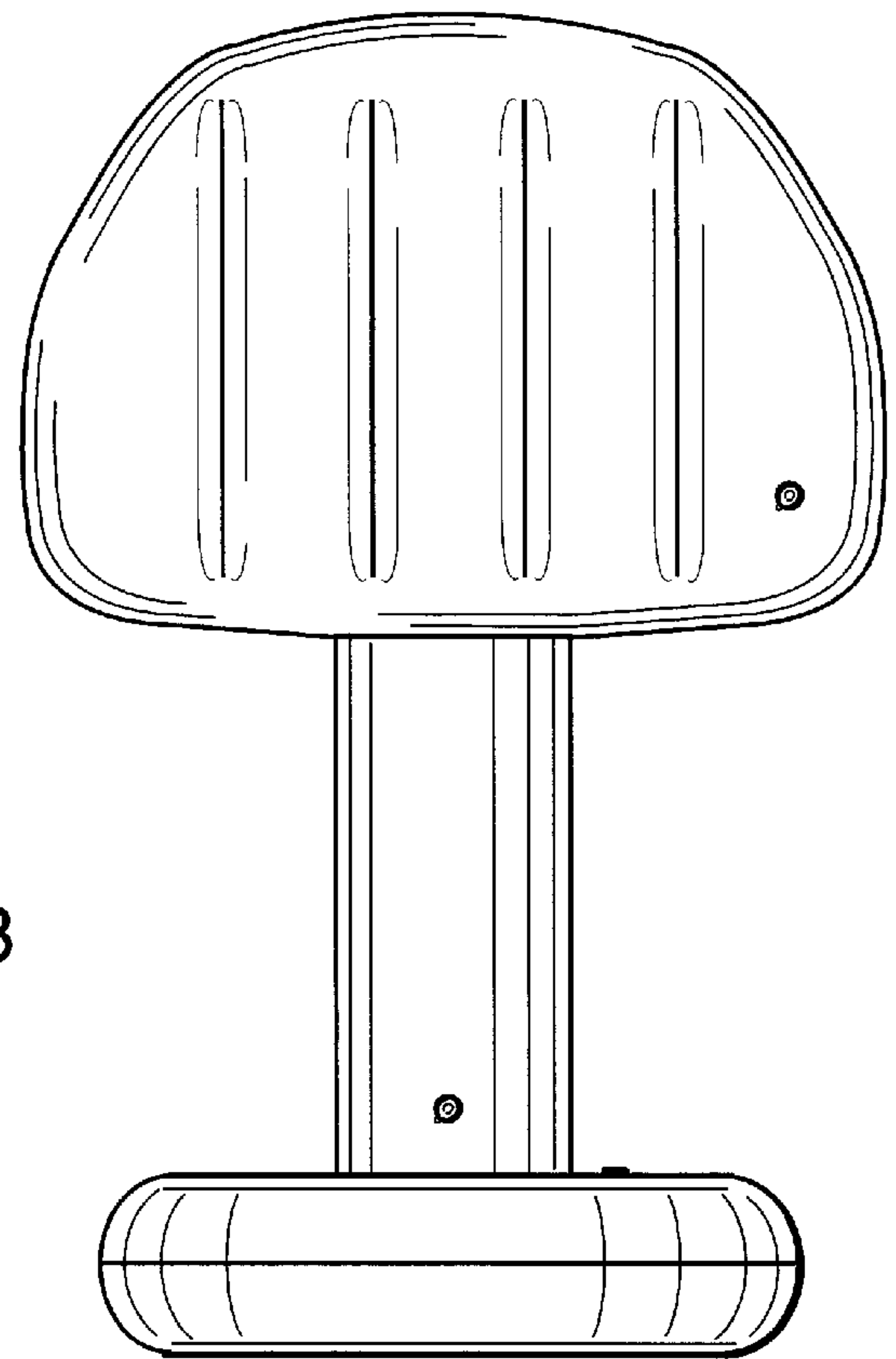


FIG. 3

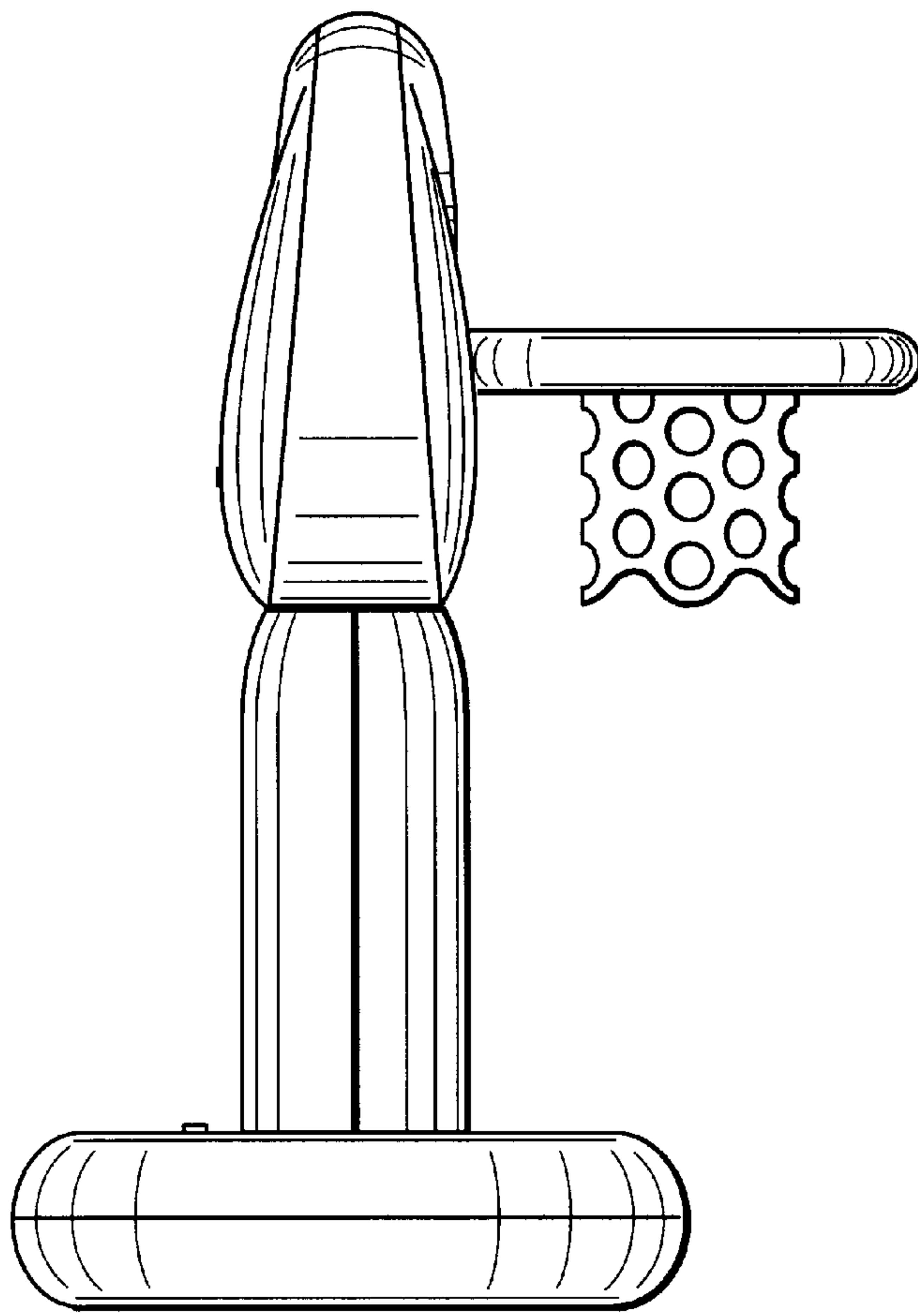


FIG. 4

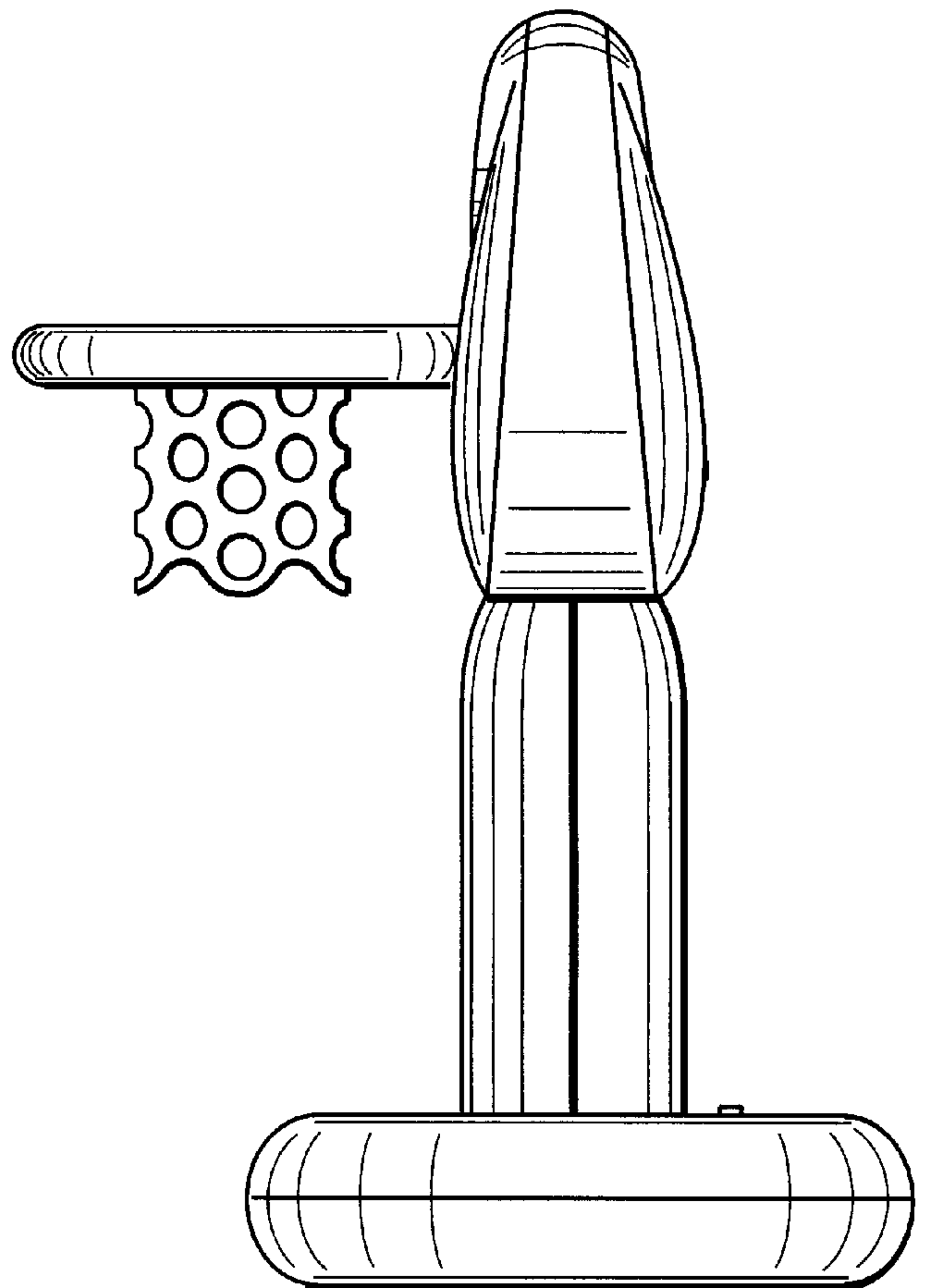


FIG. 5

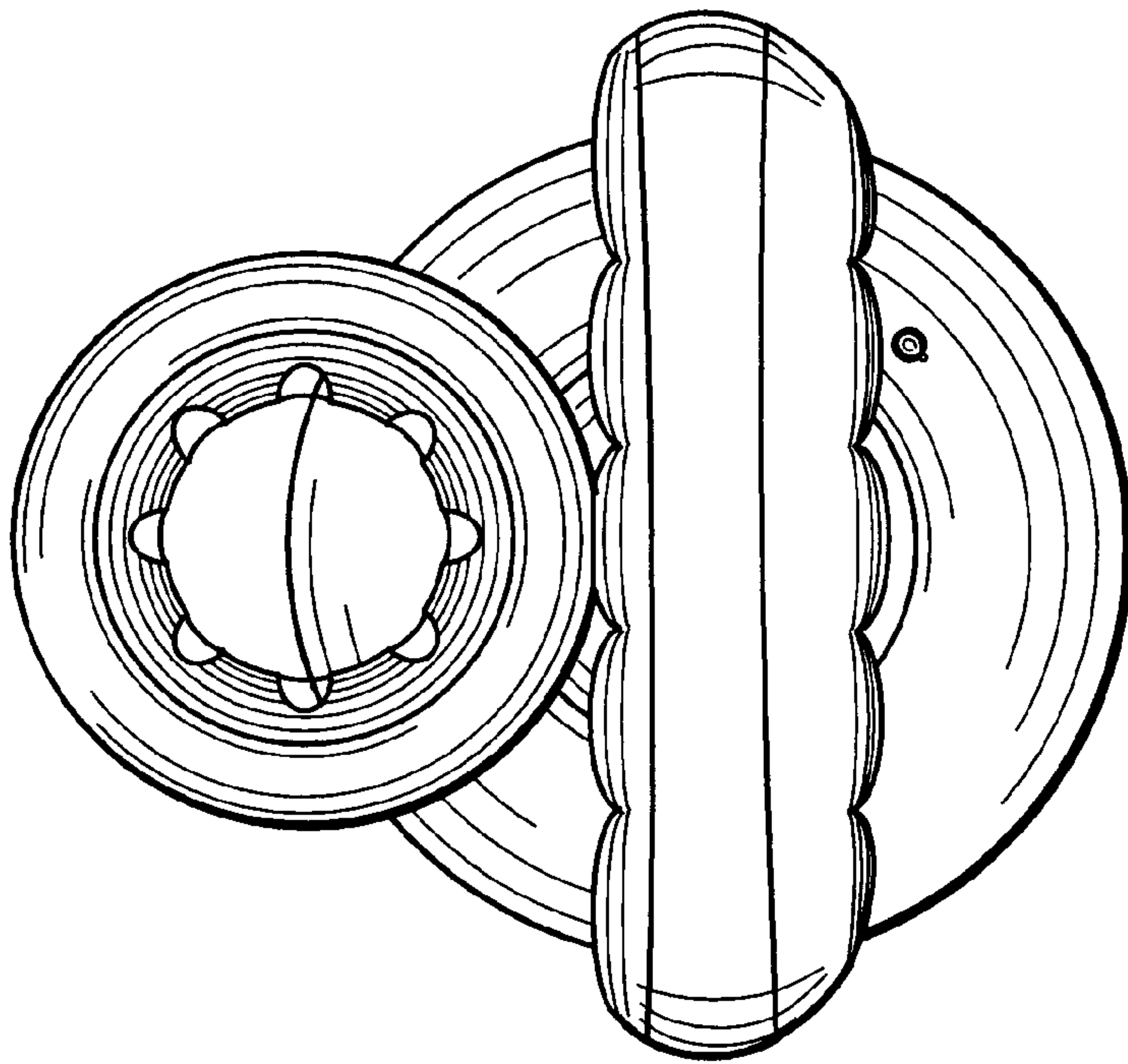


FIG. 6

FIG. 7

