



US00D433470S

United States Patent [19]
Geller et al.

[11] **Patent Number: Des. 433,470**

[45] **Date of Patent: ** Nov. 7, 2000**

[54] **FINGERWEIGHT**

[75] Inventors: **Burton I. Geller; Andrew S. Geller,**
both of Lake Zurich; **Greg N. Miller,**
Vernon Hills; **Sohail Shadman,**
Hoffman Estates, all of Ill.

[73] Assignee: **Fingerweight Corporation,** Lake
Zurich, Ill.

[**] Term: **14 Years**

[21] Appl. No.: **29/113,606**

[22] Filed: **Nov. 8, 1999**

[51] **LOC (7) Cl.** **21-02**

[52] **U.S. Cl.** **D21/683; D21/684; D21/680**

[58] **Field of Search** **D21/662, 680,**
D21/681, 682, 683, 684; 482/104, 105,
106, 107, 108, 109, 44, 47, 48, 49; D11/26

[56] **References Cited**

U.S. PATENT DOCUMENTS

19,814 3/1858 Monestier .

D. 362,701 9/1995 Reilly D21/683
D. 384,381 9/1997 Reilly D21/683
757,041 4/1904 Hosfeld .
4,253,660 3/1981 Tiktin 482/105

Primary Examiner—Philip S. Hyder
Attorney, Agent, or Firm—Niro, Scavone, Haller & Niro

[57] **CLAIM**

The ornamental design for a fingerweight, as shown and described.

DESCRIPTION

FIG. 1 is a perspective view of the fingerweight of the present invention;
FIG. 2 is a top view thereof;
FIG. 3 is a right side view thereof;
FIG. 4 is a left side view thereof;
FIG. 5 is a rear view thereof;
FIG. 6 is a front view thereof; and,
FIG. 7 is a bottom view thereof.

1 Claim, 1 Drawing Sheet

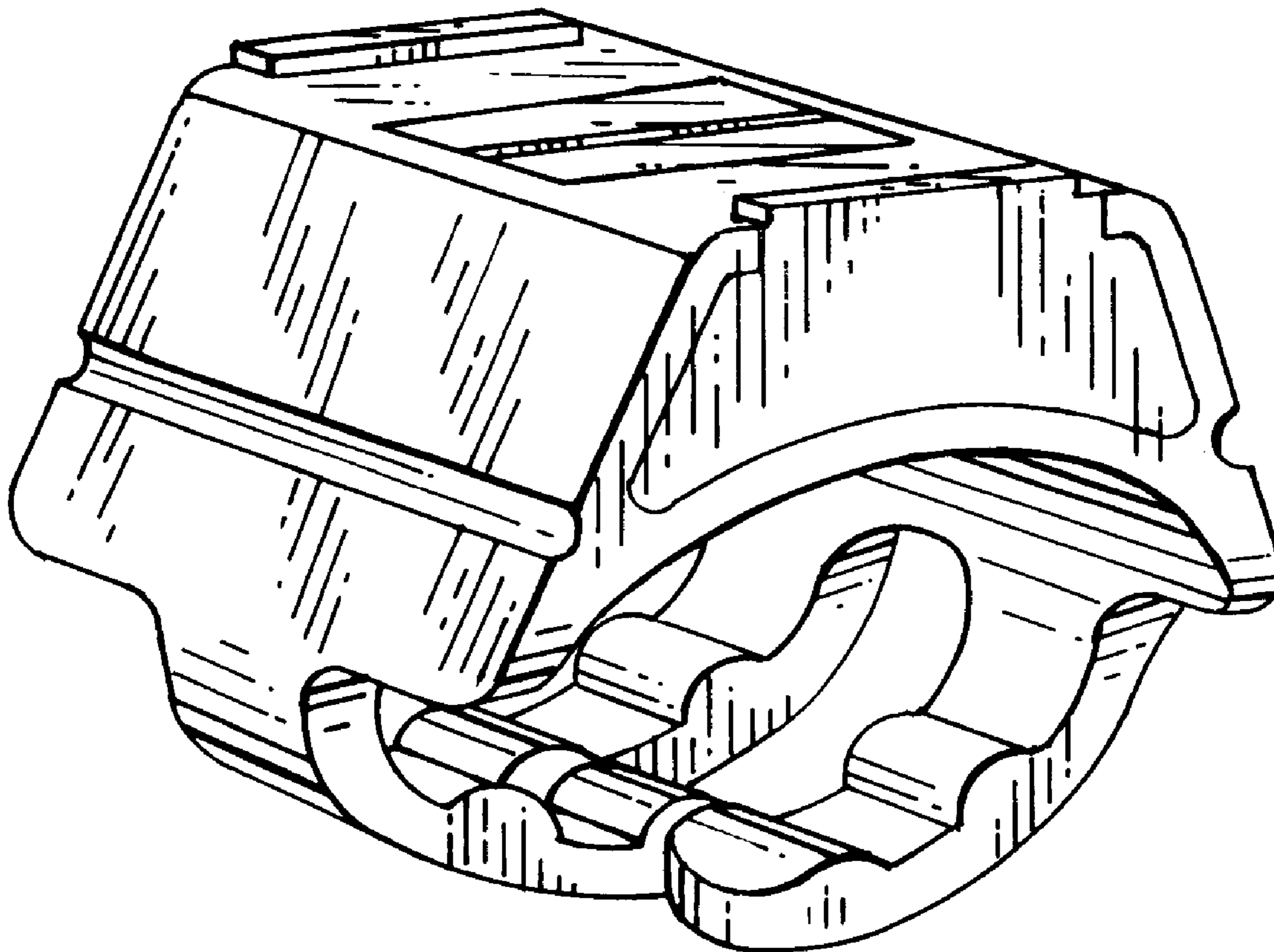


FIG. 1

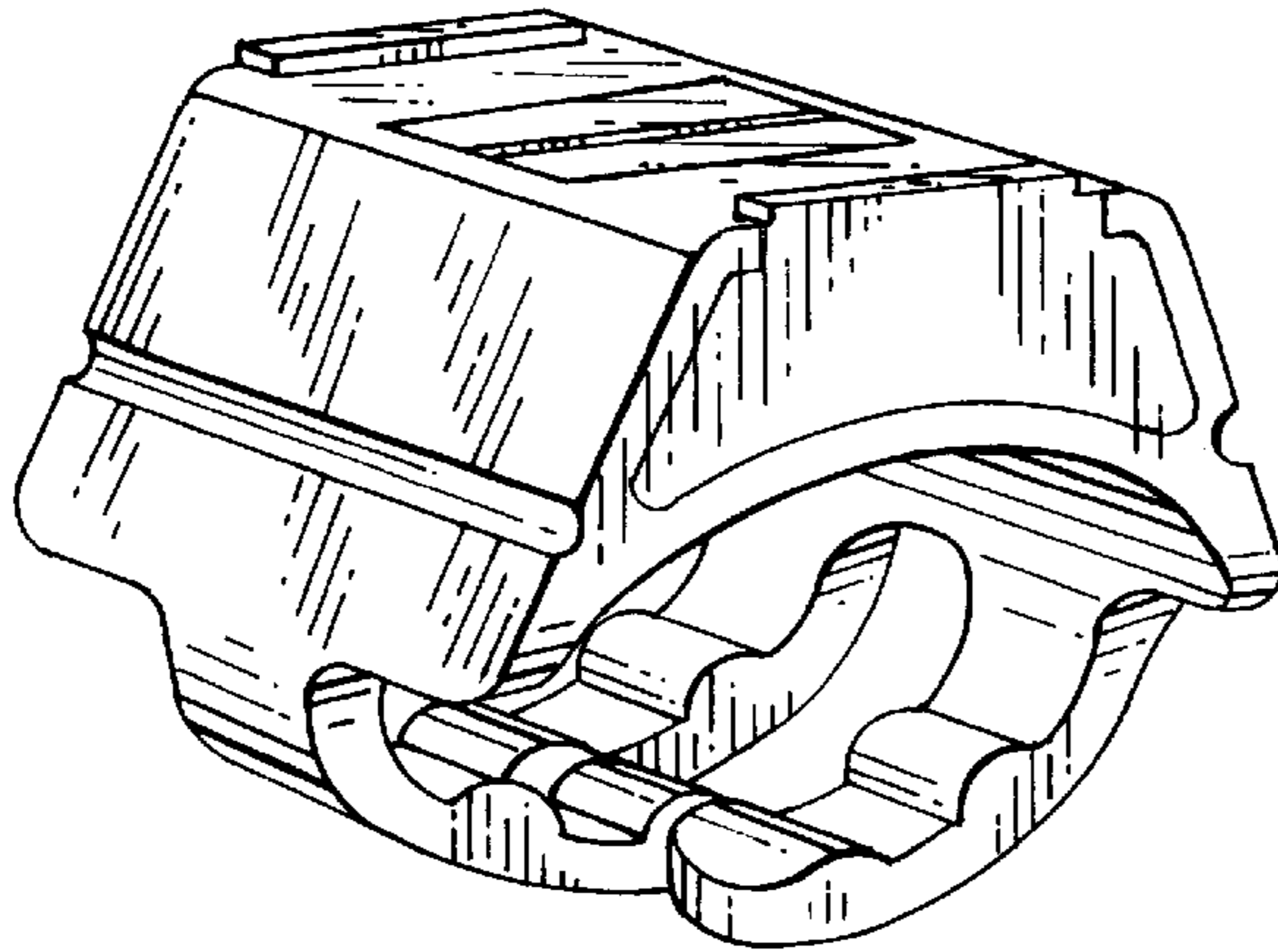


FIG. 2

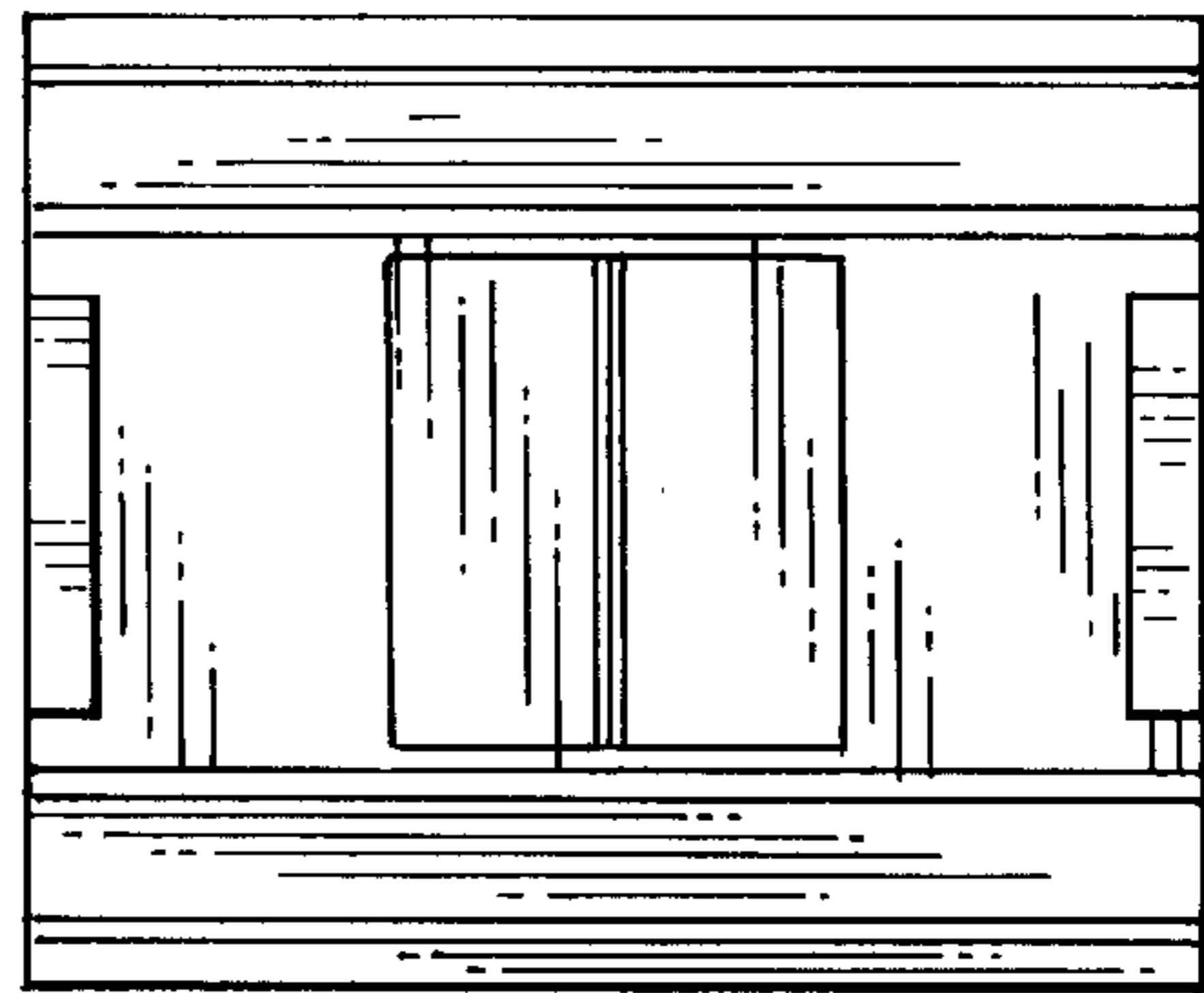


FIG. 3

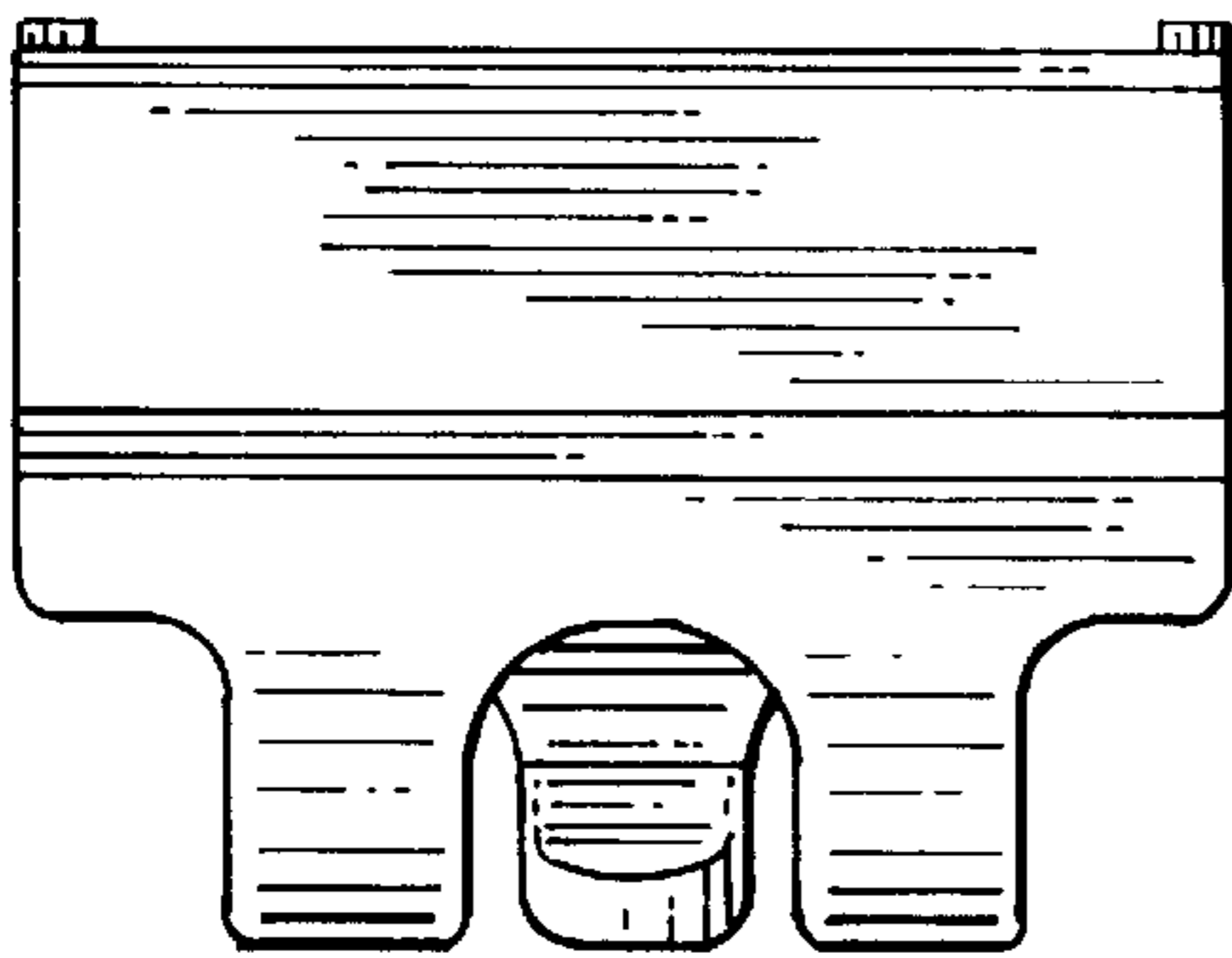


FIG. 4

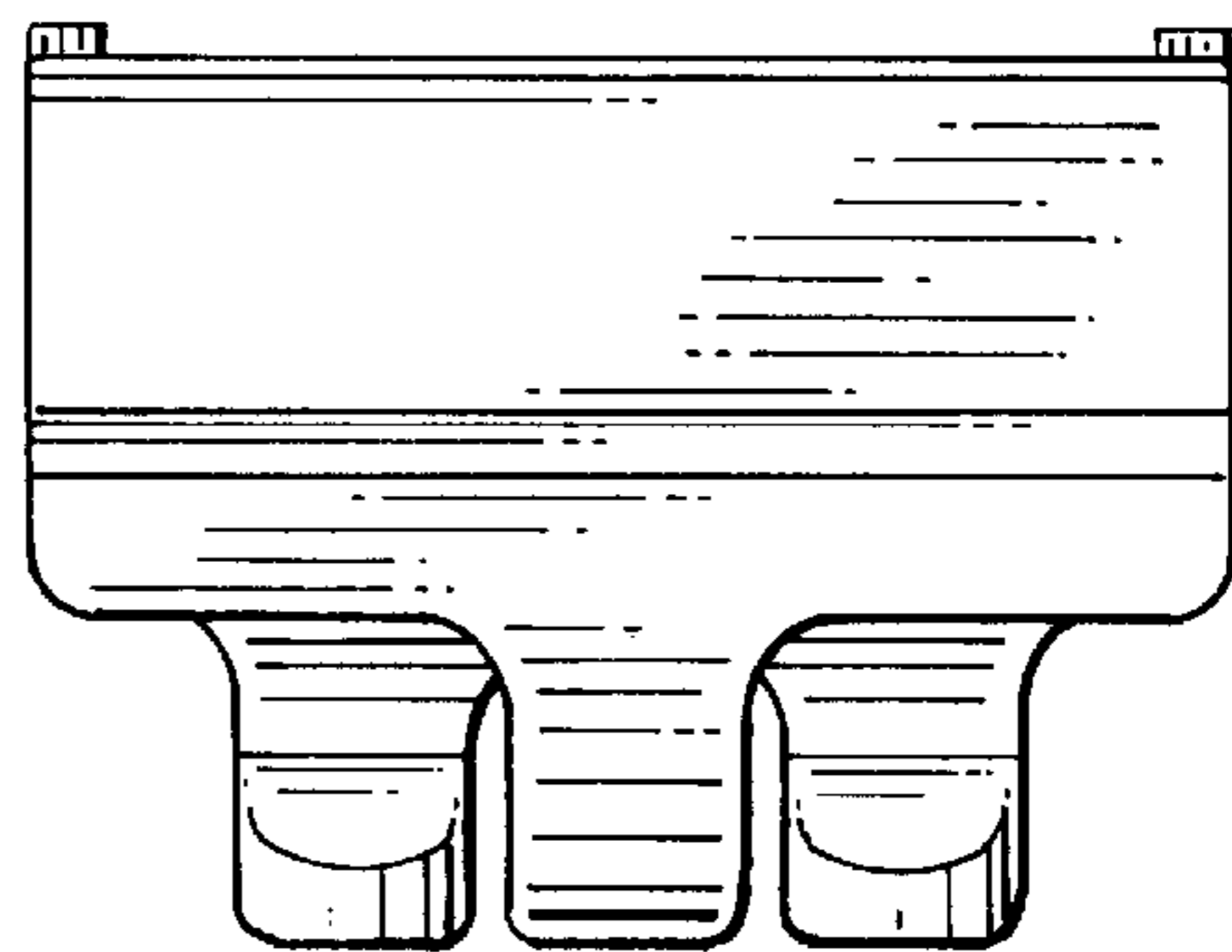


FIG. 5

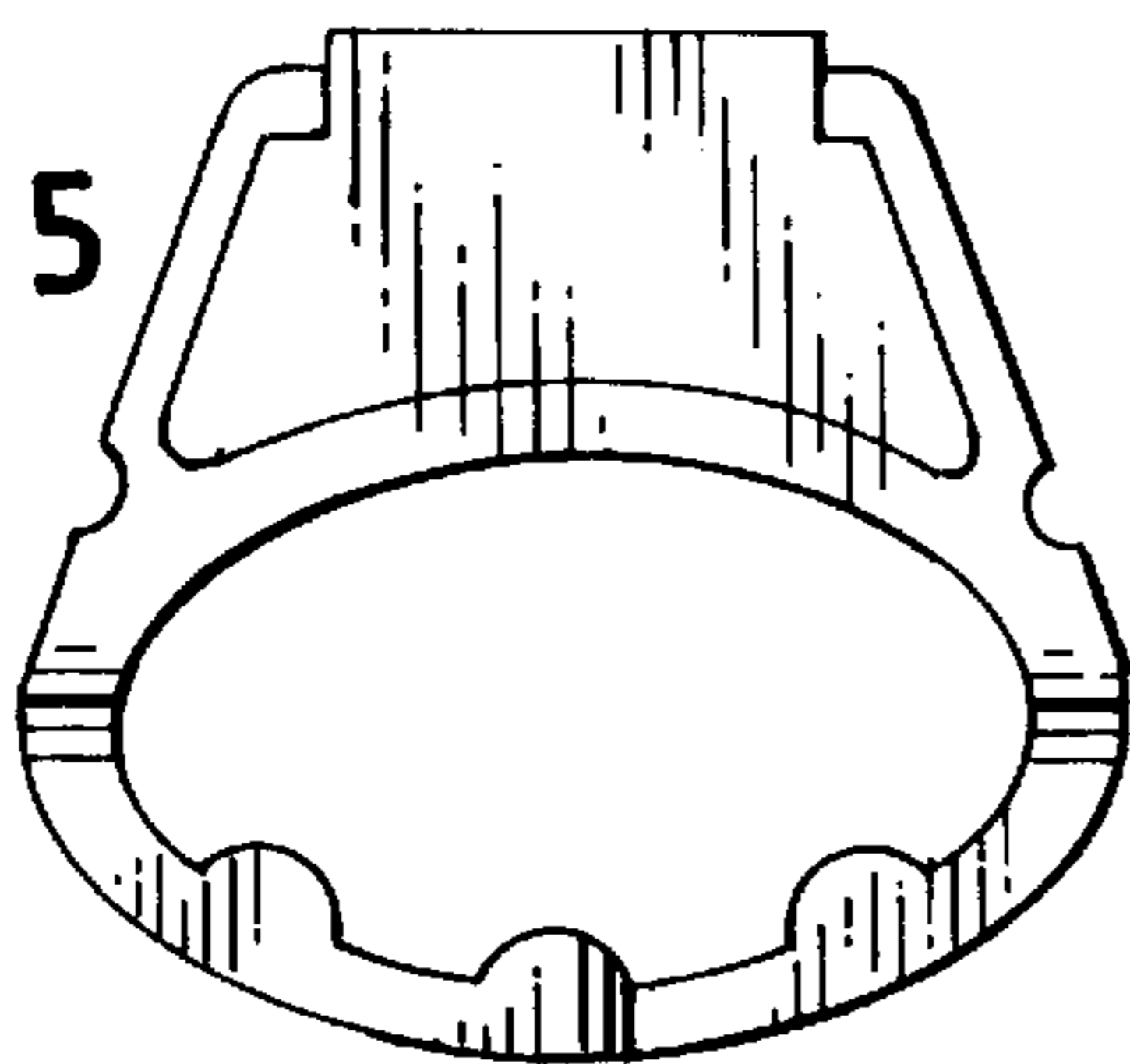


FIG. 6

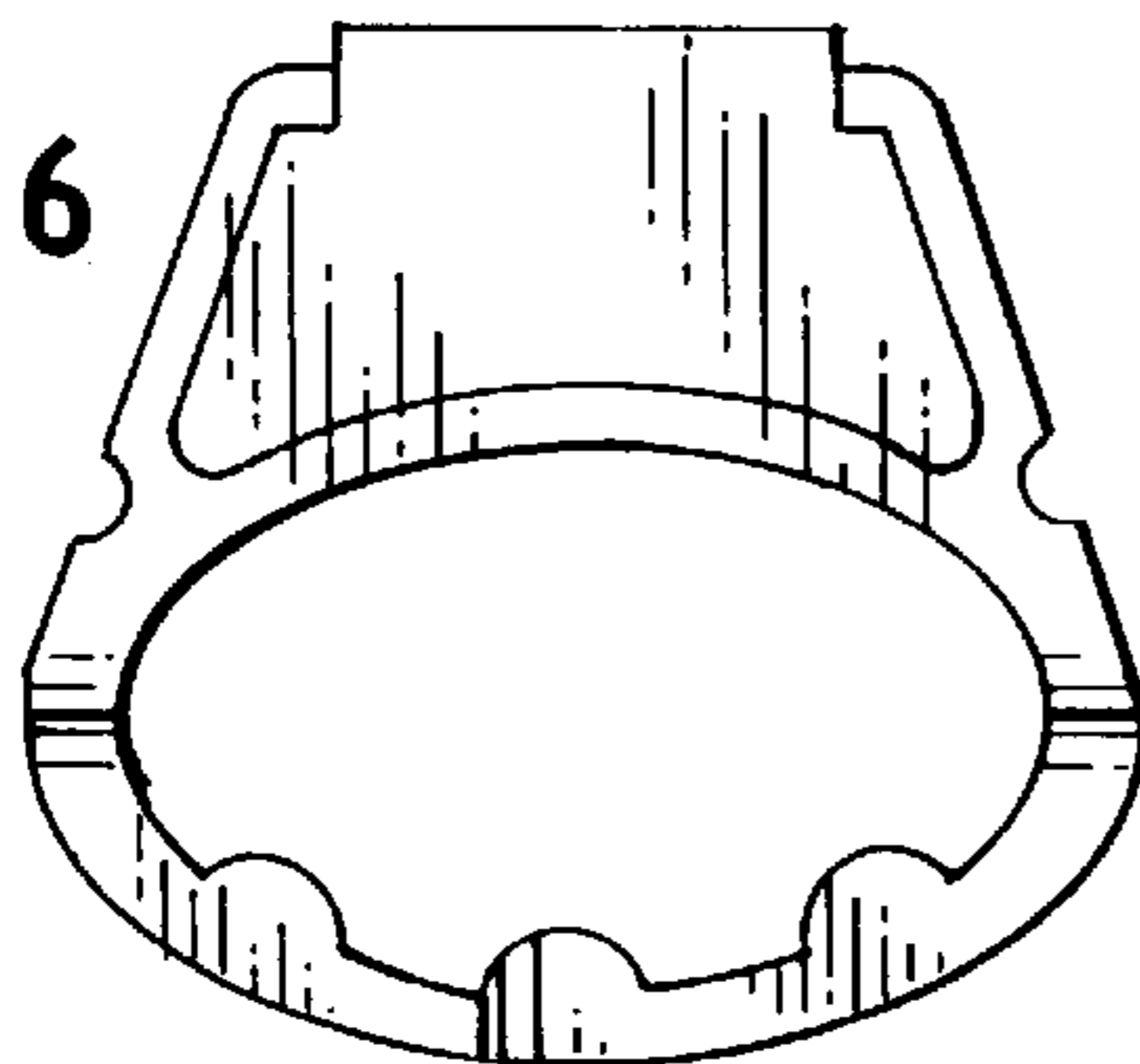


FIG. 7

