



US00D433469S

# United States Patent [19]

Rojas et al.

[11] Patent Number: **Des. 433,469**

[45] Date of Patent: **\*\* Nov. 7, 2000**

[54] **WEIGHTLIFTING PLATE**

[75] Inventors: **Michael D. Rojas**, Tustin; **Scott J. Frasco**, Huntington Beach, both of Calif.

[73] Assignee: **Iron Grip Barbell Company, Inc.**, Costa Mesa, Calif.

[\*\*] Term: **14 Years**

[21] Appl. No.: **29/115,567**

[22] Filed: **Dec. 16, 1999**

[51] **LOC (7) Cl.** ..... **21-02**

[52] **U.S. Cl.** ..... **D21/681; D21/680**

[58] **Field of Search** ..... **D21/680, 681, D21/682, 683, 684; 482/104, 105, 106, 107, 108, 109**

[56] **References Cited**

**U.S. PATENT DOCUMENTS**

D. 278,358	4/1985	Zwilling .....	D21/681
D. 354,322	1/1995	Vodhanel, Jr. ....	D21/681
D. 355,007	1/1995	Rojas et al. ....	D21/681
D. 394,685	5/1998	Eckmann .....	D21/680

D. 406,183	2/1999	Zovich .....	D21/680
D. 409,695	5/1999	Rojas et al. ....	D21/680
D. 421,076	2/2000	Lincir .....	D21/681
D. 424,140	5/2000	Lincir .....	D21/680
5,137,502	8/1992	Anastasi .....	482/106
5,692,996	12/1997	Widerman .....	482/106
5,853,355	12/1998	Standish .....	482/106

*Primary Examiner*—Philip S. Hyder  
*Attorney, Agent, or Firm*—Darby & Darby

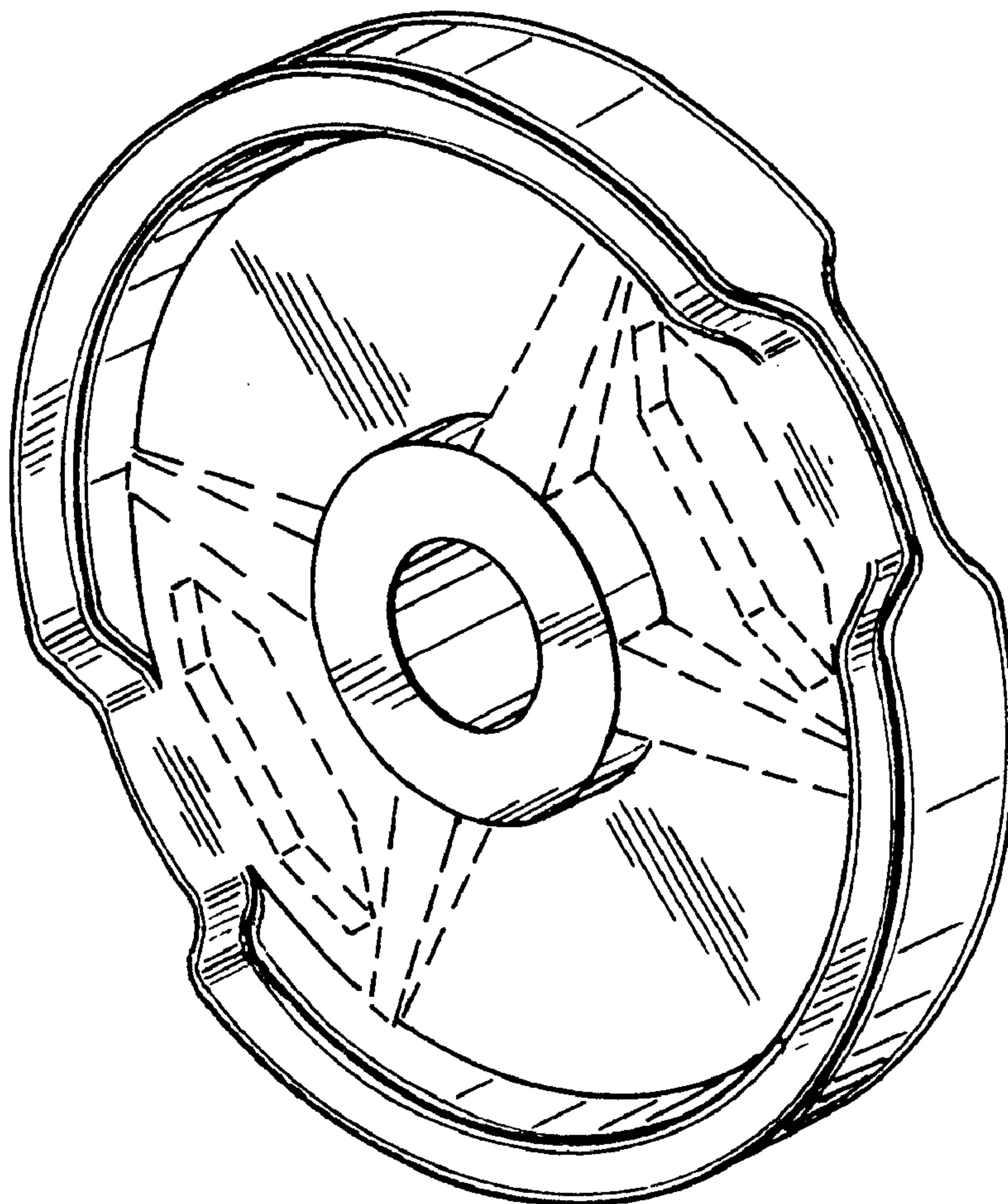
[57] **CLAIM**

The ornamental design for a weightlifting plate, as shown and described.

**DESCRIPTION**

FIG. 1 is a perspective view of a weightlifting plate showing our new design;  
FIG. 2 is a front view of the weightlifting plate shown in FIG. 1, the rear view being a mirror image thereof;  
FIG. 3 is a right side view of the weightlifting plate shown in FIG. 1, the left side view being a mirror image thereof; and,  
FIG. 4 is a top view of the weightlifting plate shown in FIG. 1, the bottom view being a mirror image thereof.

**1 Claim, 2 Drawing Sheets**



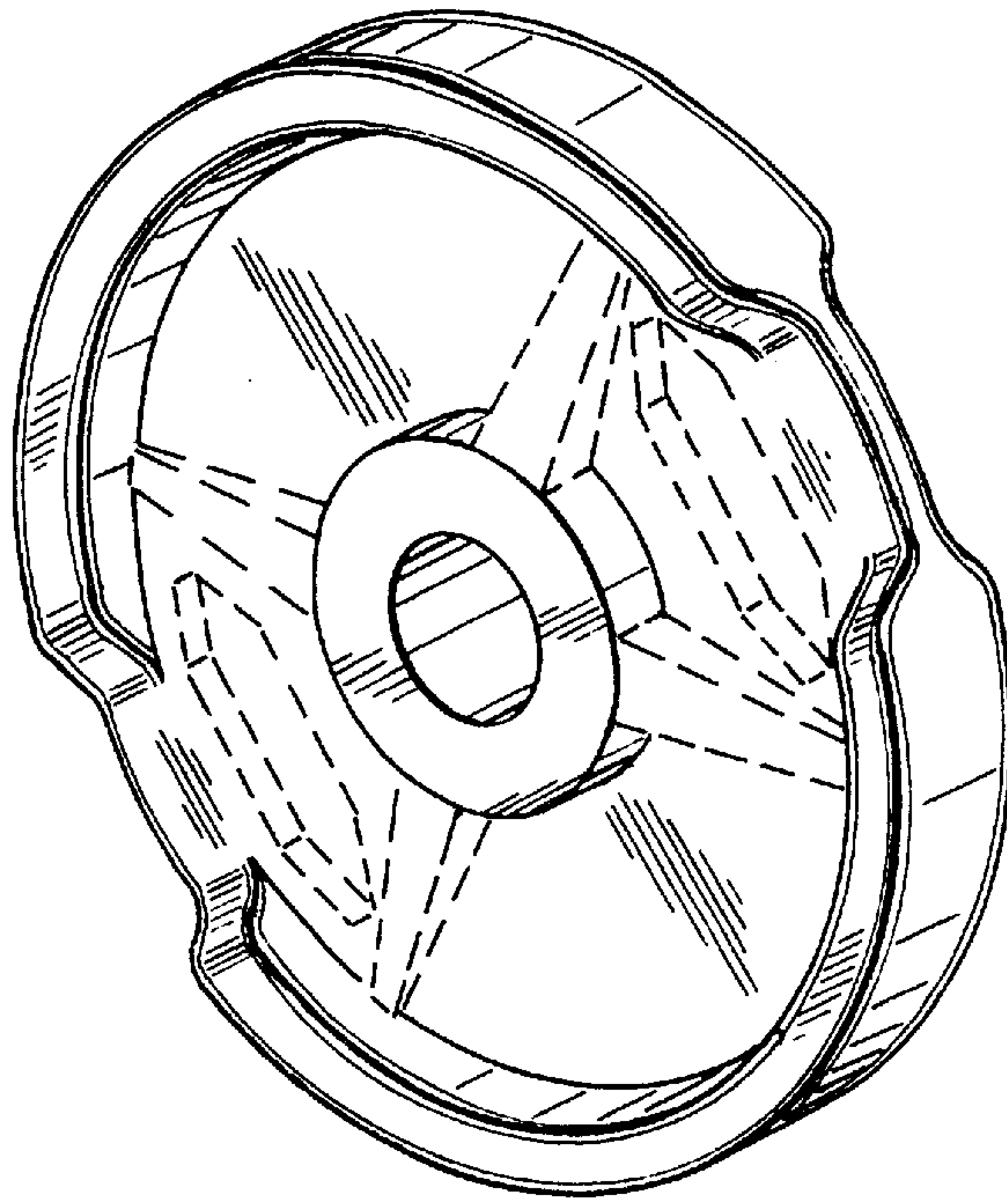
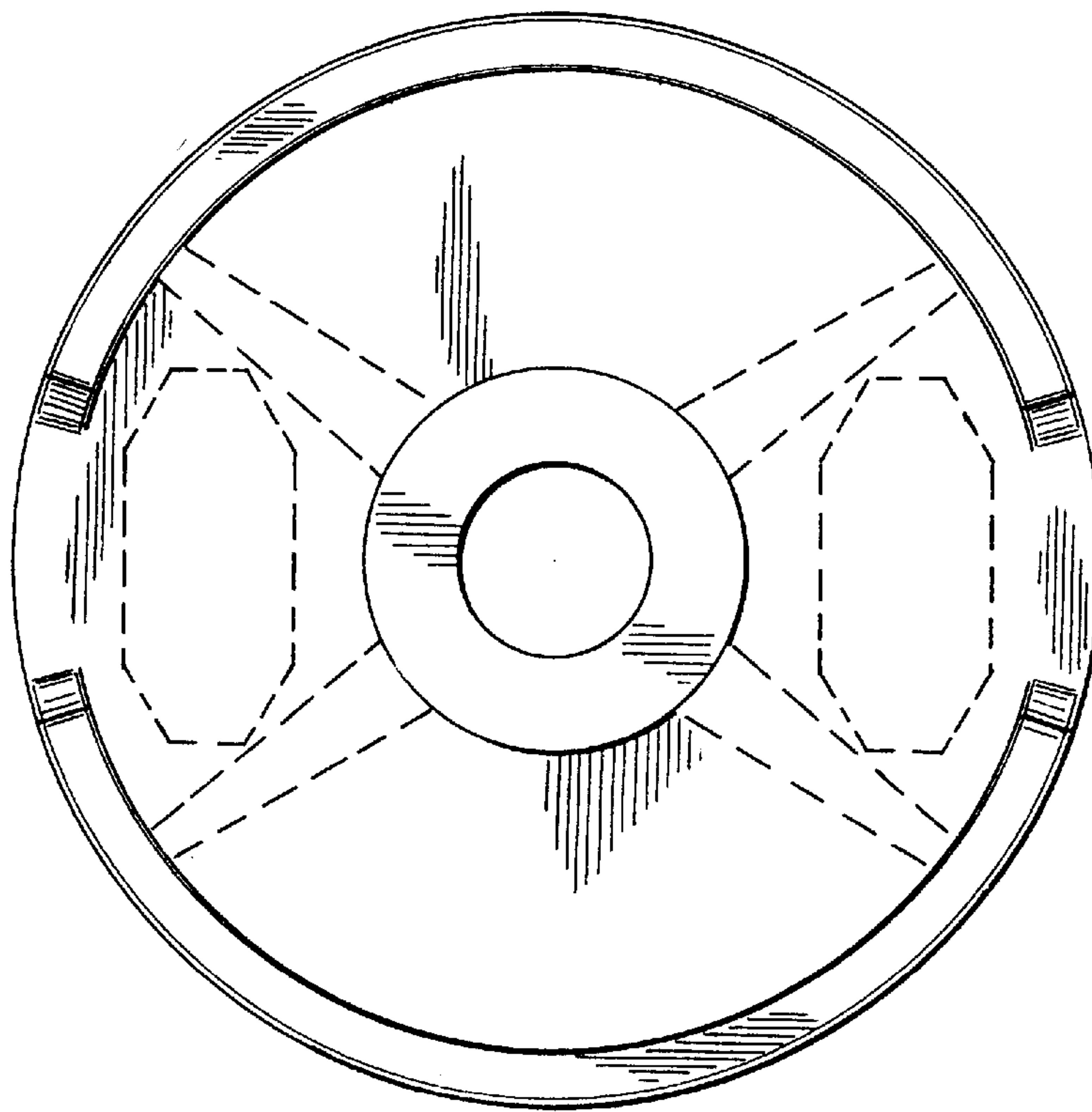


FIG. 1

FIG. 2



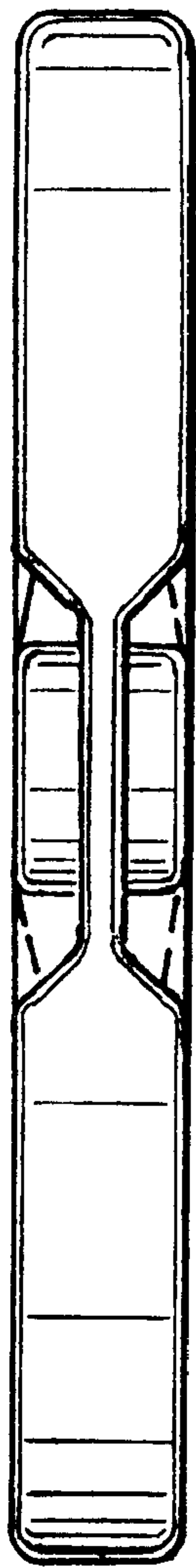


FIG. 3

FIG. 4

